

# CAVE



VILMERS

# CAVE



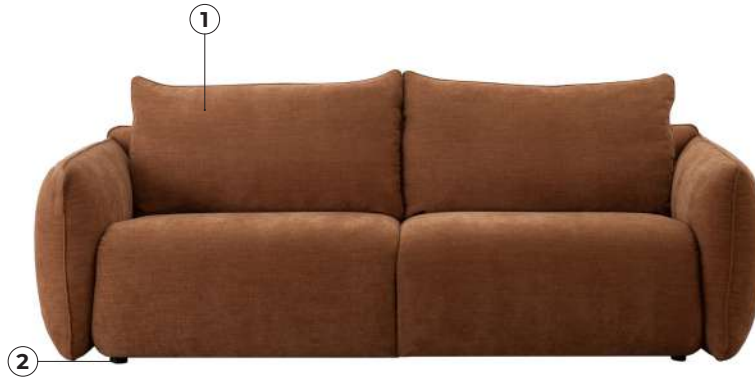
Feathers



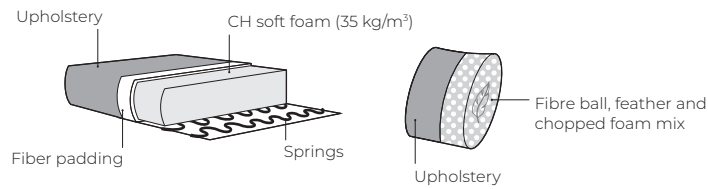
Removable cover



Loose back cushions



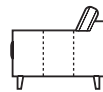
## Comfort



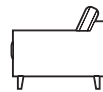
## 1. Upholstery



Leather\*



Fabric



## 2. Legs



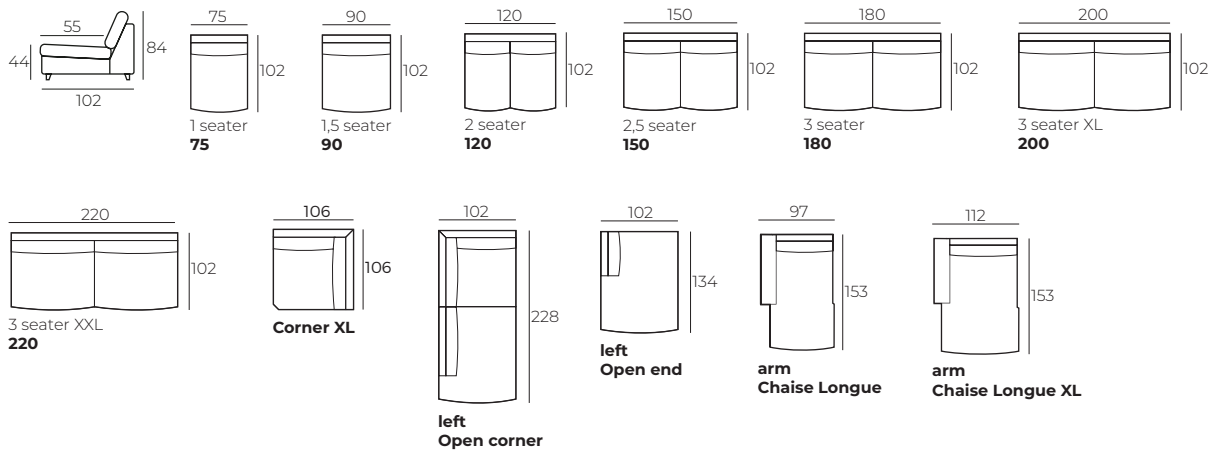
\* Leather upholstery may require more stitches than fabric upholstery.

### IMPORTANT:

Upholstered furniture is handmade using soft materials, therefore measurements can vary in all modules by up to **+/-2 cm**.  
 Modules and combinations shown in 2D drawings are left-sided. Modules and combinations can be mirrored from left to right.  
 Products are made of materials that meet UK material compliance requirements.

## Modules

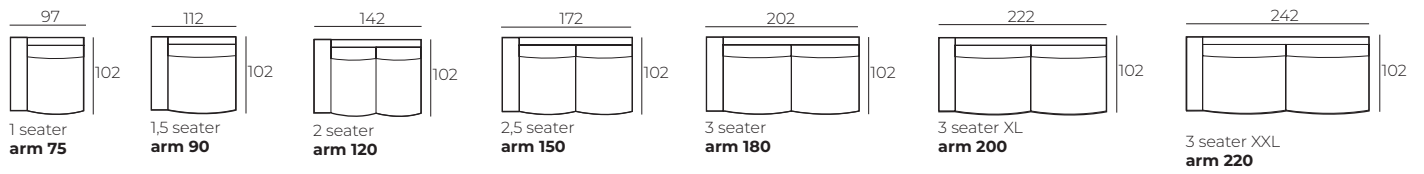
Scale 1:100



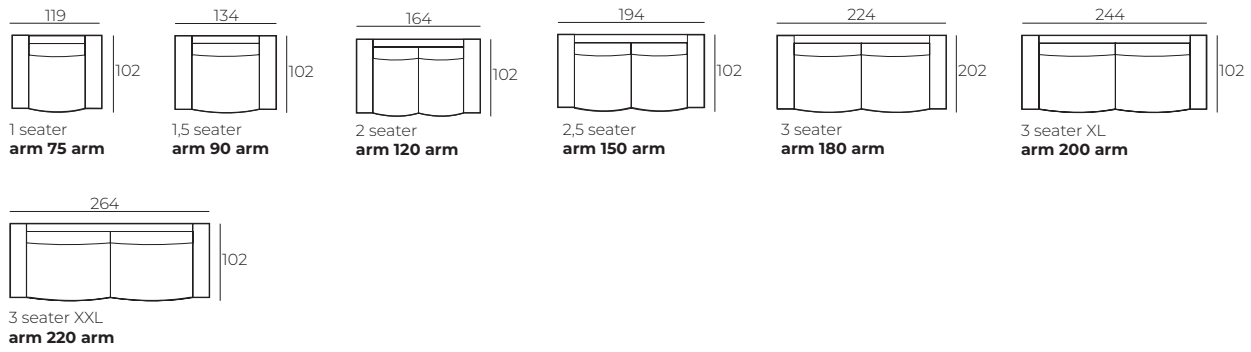
# CAVE

## Modules with armrest

Scale 1:100



## Combinations



## Accessories

