

# AURORA



VILMERS

# AURORA



Fully removable cover



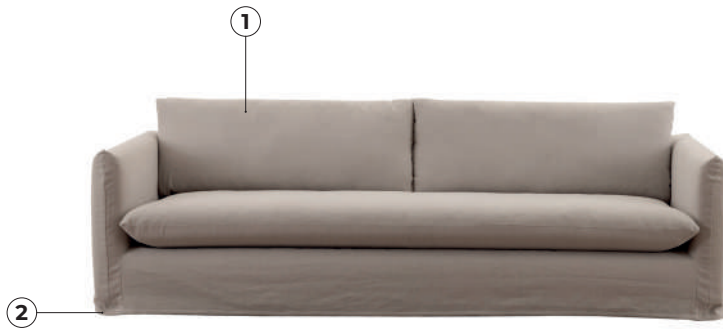
Loose cushions



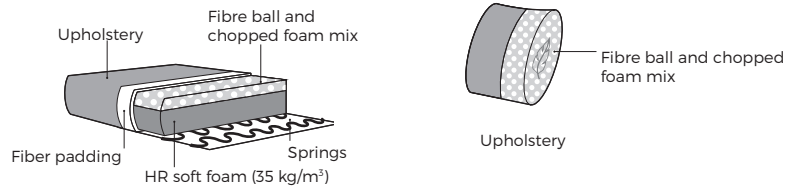
Removable cover



Covered sides



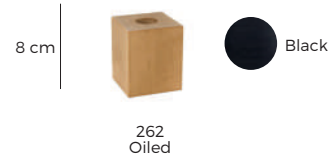
## Comfort selection



### 1. Upholstery



### 2. Legs

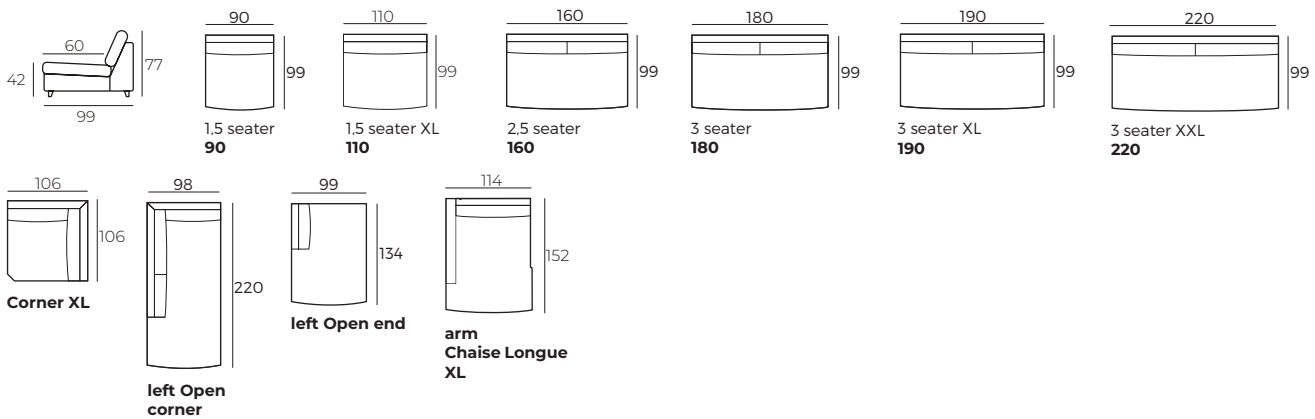


#### IMPORTANT:

Upholstered furniture is handmade using soft materials, therefore measurements can vary in all modules by up to **+/-2 cm**.  
Modules and combinations shown in 2D drawings are left-sided. Modules and combinations can be mirrored from left to right.

## Modules

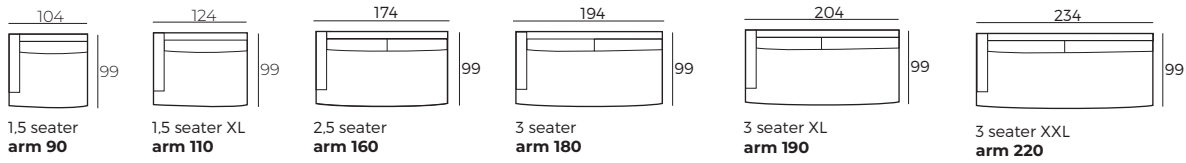
Scale 1:100



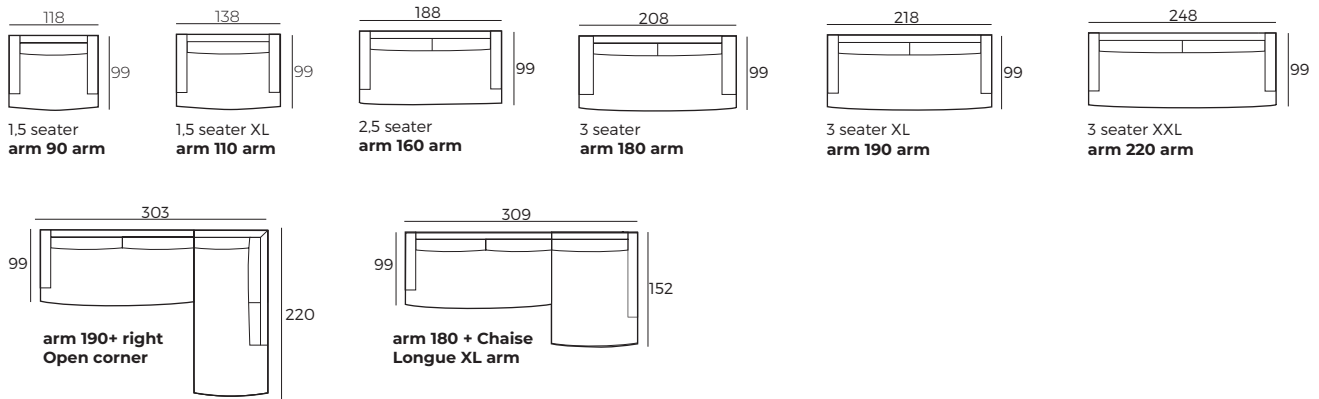
# AURORA

## Modules with armrest

Scale 1:100



## Combinations



## Accessories

