

ALVAR



VILMERS

ALVAR



Feathers



Loose cushions



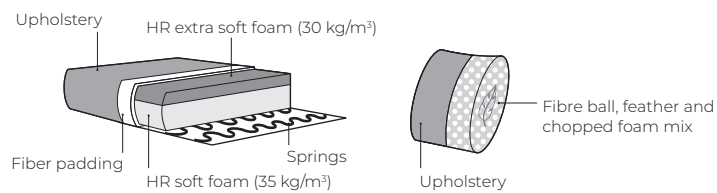
Removable cover



Daybed



Comfort



1. Upholstery



Leather*



Fabric

* Leather upholstery may require more stitches than fabric upholstery.

2. Legs

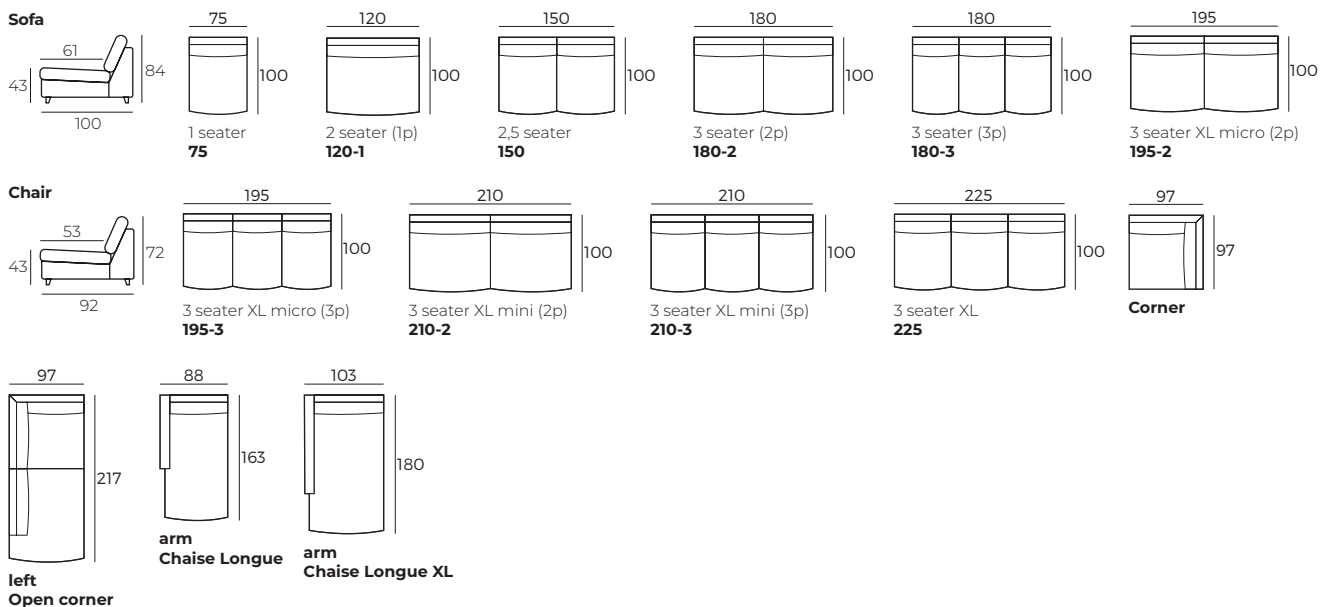


IMPORTANT:

Upholstered furniture is handmade using soft materials, therefore measurements can vary in all modules by up to **+/-2 cm**.
 Modules and combinations shown in 2D drawings are left-sided. Modules and combinations can be mirrored from left to right.
 For an additional fee, the sides of each seater module can be covered in fabric.

Modules

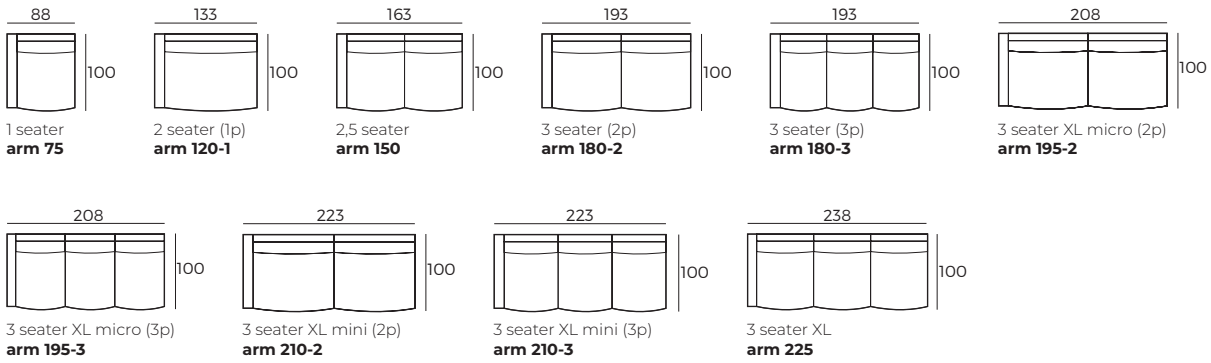
Scale 1:100



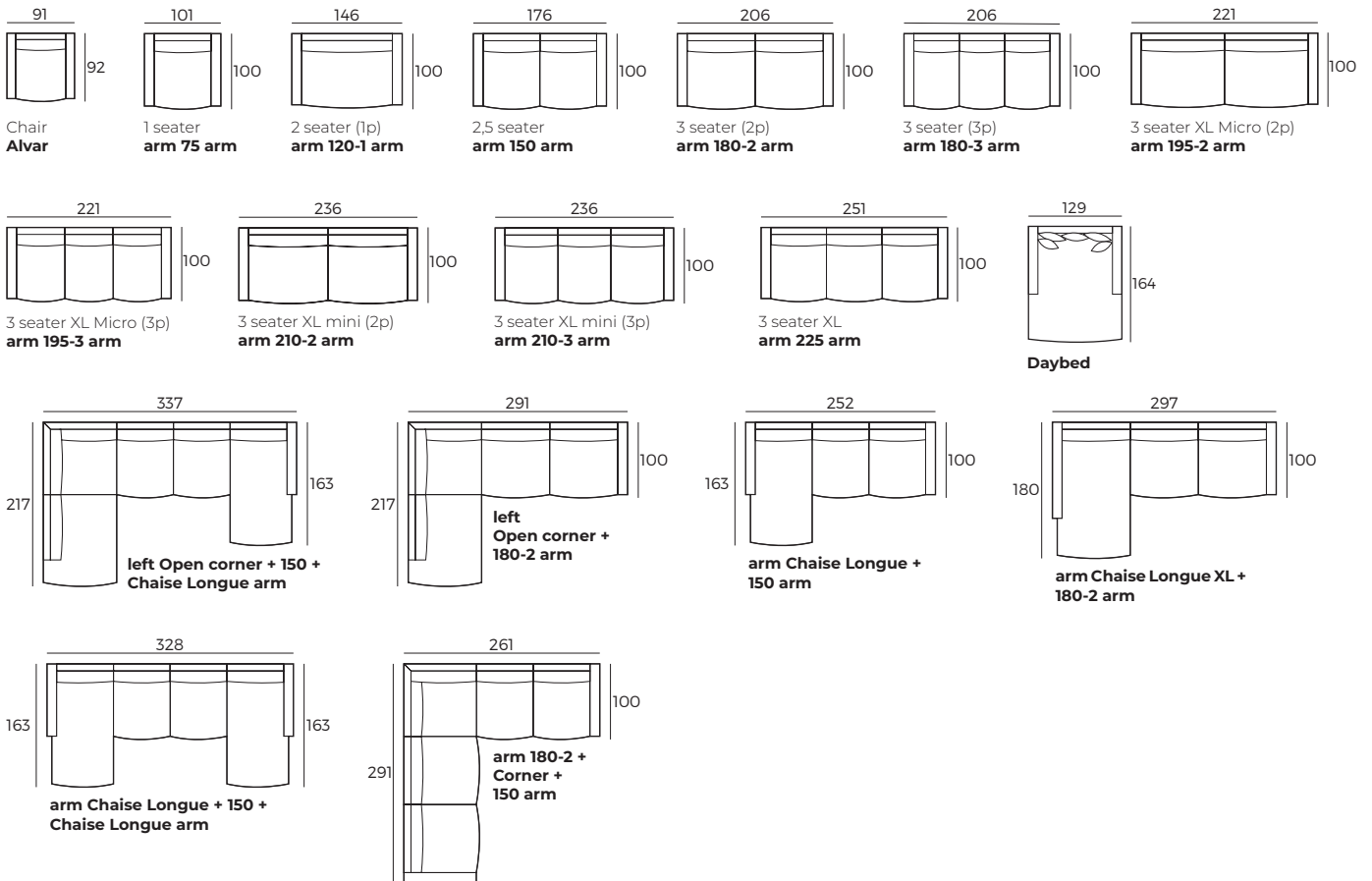
ALVAR

Modules with armrest

Scale 1:100



Combinations



Accessories

