

COMFORT CHAIRS

SOFT FURNITURE



ASTER

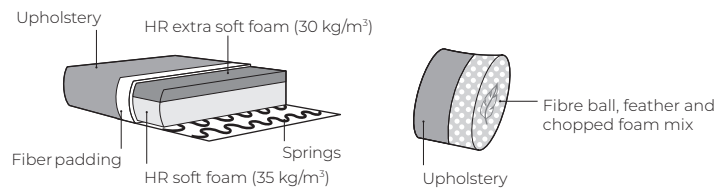


VILMERS

ASTER



Comfort



1. Upholstery

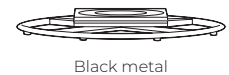


Fabric

2. Rotation and gliding function



3. Legs



Black metal

The foot mechanism has a locking lever that allows you to secure the gliding function.

IMPORTANT:

Upholstered furniture is handmade using soft materials, therefore measurements can vary in all modules by up to **+/-2 cm**.

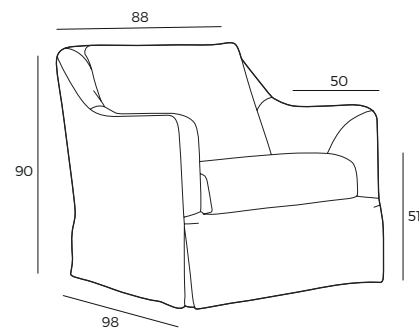
Removable cover



For maintenance please check fabric information.

Measurements

Scale 1:35



Chair
ASTER

BAY

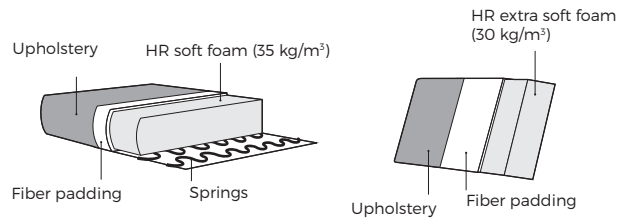


VILMERS

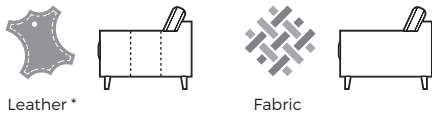
BAY



Comfort



1. Upholstery



Leather*

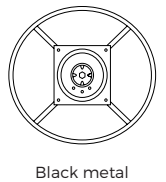
Fabric

* Leather upholstery may require more stitches than fabric upholstery.

2. Rotation function



3. Legs

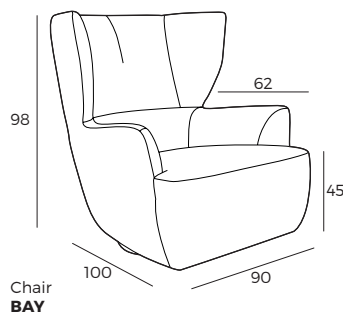


IMPORTANT:

Upholstered furniture is handmade using soft materials, therefore measurements can vary in all modules by up to +/- 2cm.

Measurements

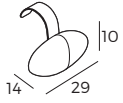
Scale 1:35



BAY

Accessories

Scale 1:65



Neckrest
No. 39

COAST

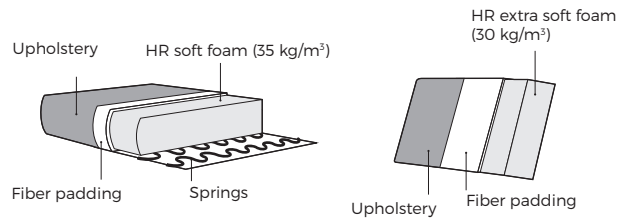


VILMERS

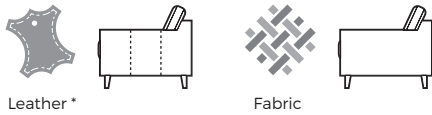
COAST



Comfort



1. Upholstery

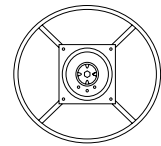


* Leather upholstery may require more stitches than fabric upholstery.

2. Rotation function



3. Legs



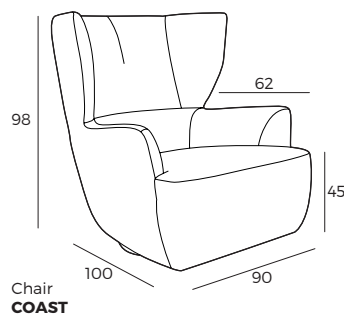
Black metal

IMPORTANT:

Upholstered furniture is handmade using soft materials, therefore measurements can vary in all modules by up to +/- 2cm.
Rotation mechanism customized only for armchair.

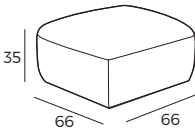
Measurements

Scale 1:35



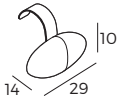
COAST

Accessories



**Footstool
66x66**

Scale 1:65



**Neckrest
No. 39**

DUNE

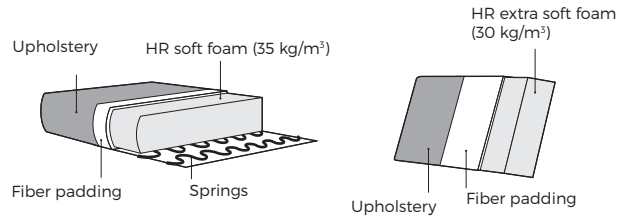


VILMERS

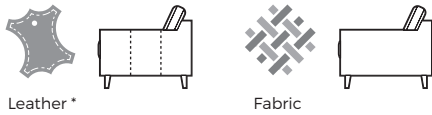
DUNE



Comfort



1. Upholstery



Leather*

Fabric

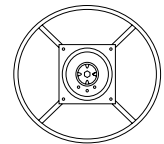
* Leather upholstery may require more stitches than fabric upholstery.

2. Rotation function



Rotates 360°

3. Legs



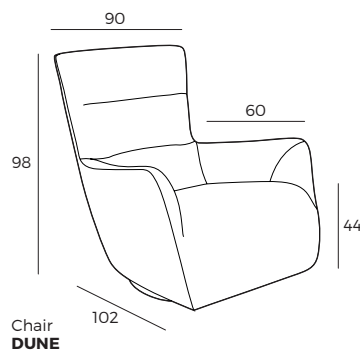
Black metal

IMPORTANT:

Upholstered furniture is handmade using soft materials, therefore measurements can vary in all modules by up to +/- 2cm.

Measurements

Scale 1:35



EARTH

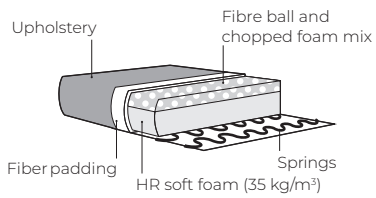


VILMERS

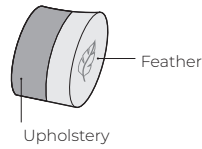
EARTH



Comfort



Deco cushion



1. Upholstery



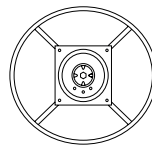
* Leather upholstery may require more stitches than fabric upholstery.

2. Rotation function



Rotates 360°

3. Legs



Black metal

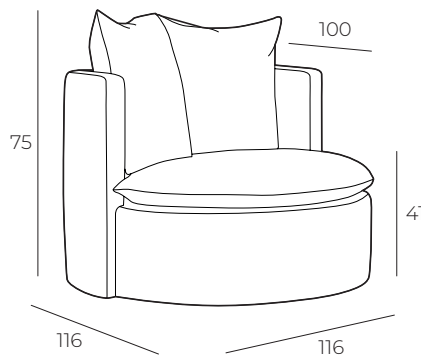
4. Possible tassel colours



IMPORTANT:

Upholstered furniture is handmade using soft materials, therefore measurements can vary in all modules by up to **+/-2 cm**.
Swivel mechanism customized only for armchair.
The chair can be chosen without tassels.

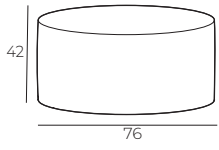
Measurements



Chair with swivel mechanism
EARTH

EARTH

Accessories



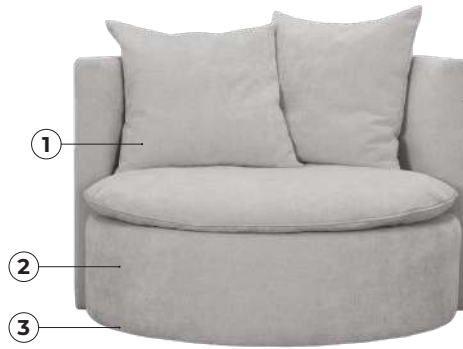
Footstool
76x42

MANDARINE

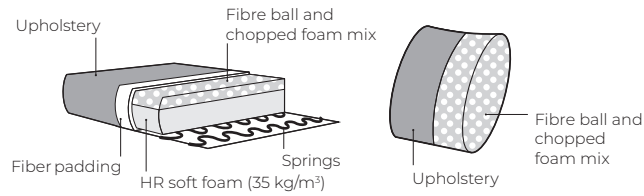


VILMERS

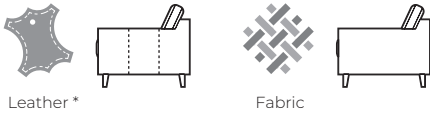
MANDARINE



Comfort



1. Upholstery

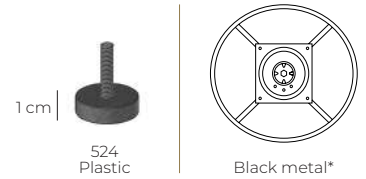


* Leather upholstery may require more stitches than fabric upholstery.

2. Rotation function



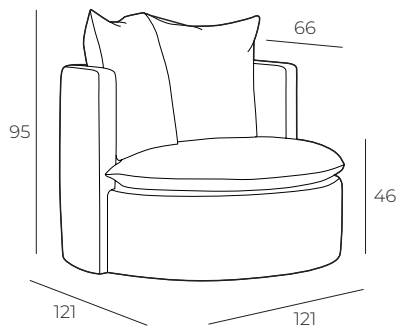
3. Legs



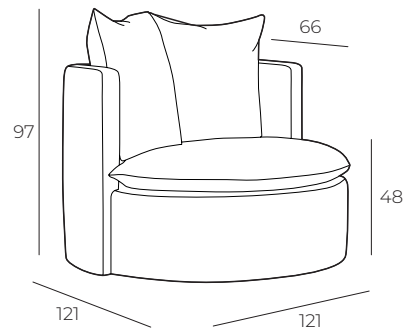
IMPORTANT:

Upholstered furniture is handmade using soft materials, therefore measurements can vary in all modules by up to **+/-2 cm**.

Measurements

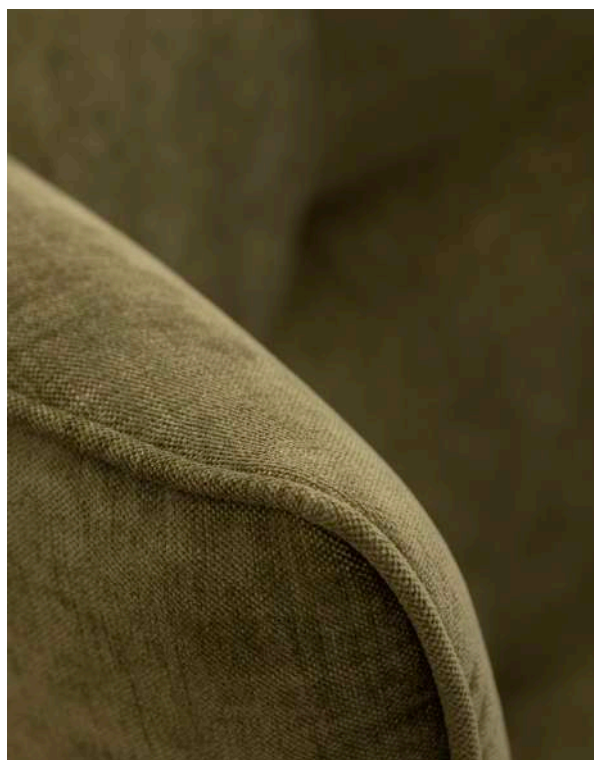


Chair
MANDARINE



Chair with swivel mechanism
MANDARINE WITH SWIVEL

OASIS

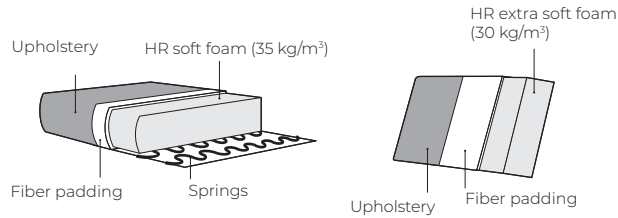


VILMERS

OASIS



Comfort



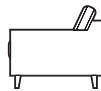
1. Upholstery



Leather *



Fabric



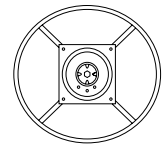
* Leather upholstery may require more stitches than fabric upholstery.

2. Rotation function



Rotates 360°

3. Legs



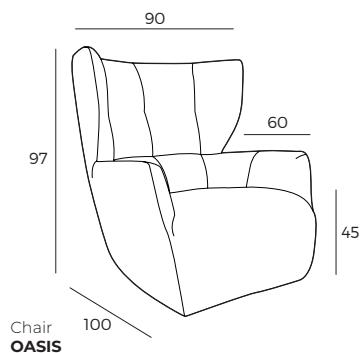
Black metal

IMPORTANT:

Upholstered furniture is handmade using soft materials, therefore measurements can vary in all modules by up to **+/-2 cm**.
Rotation mechanism customized only for armchair.

Measurements

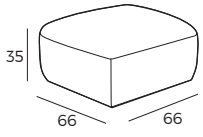
Scale 1:35



Chair
OASIS

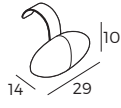
OASIS

Accessories



**Footstool
66x66**

Scale 1:65



**Neckrest
No. 39**

VILMERS

SHIEL

VILMERS.COM



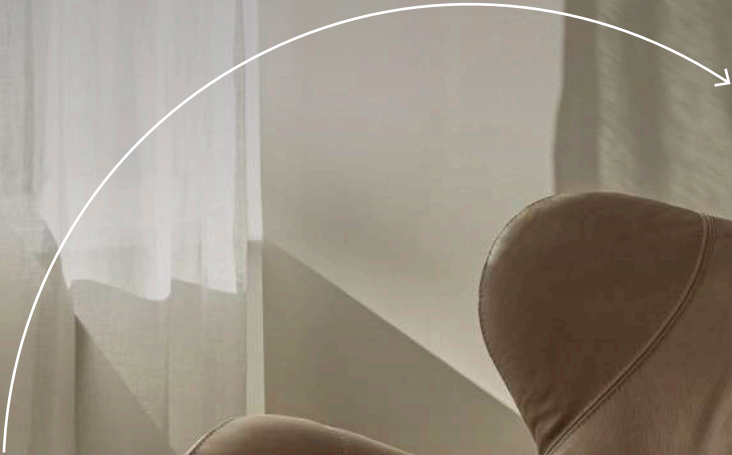
ZERO GRAVITY

position



Rotation

Zero gravity



Rotates 315°

Combination
Chair with mechanism

Leather
GRANADA taupe



SHELL

Standard



Rotates 360°



Black metal legs

With zero gravity function

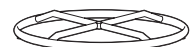


Rotates 315°



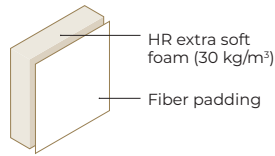
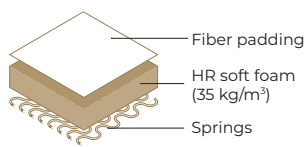
Black metal legs

Footstool



Black metal legs

COMFORT



UPHOLSTERY



Leather



Fabric

IMPORTANT:

Leather covers may require more stitches than fabric covers.

IMPORTANT:

Upholstered furniture is handmade using soft materials, therefore measurements can vary in all modules by up to **+/-2 cm**.

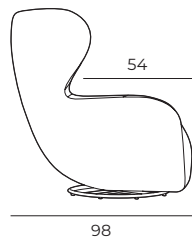
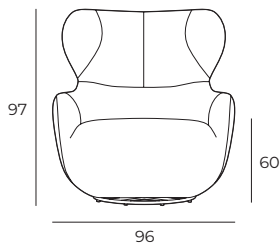
Rotation mechanism customized only for armchair.

Furniture legs cannot be chosen.

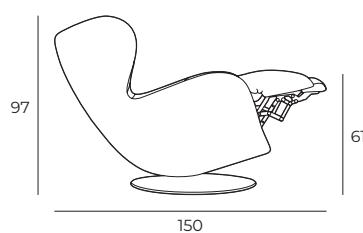
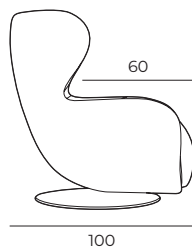
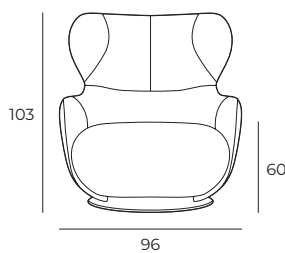
Supplied with a cable as standard (battery is available for an additional charge).

MEASUREMENTS

Shell standard

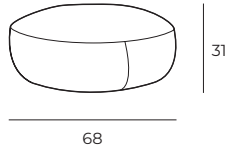


Shell with zero gravity function

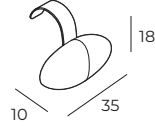


SHELL

ACCESSORIES



Footstool
68x31



Neckrest
No. 38

STONE

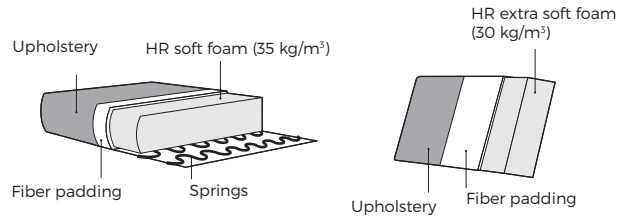


VILMERS

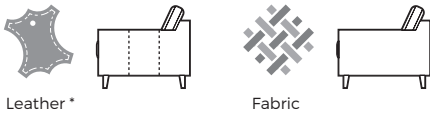
STONE



Comfort



1. Upholstery

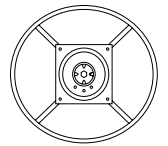


* Leather upholstery may require more stitches than fabric upholstery.

2. Rotation function



3. Legs



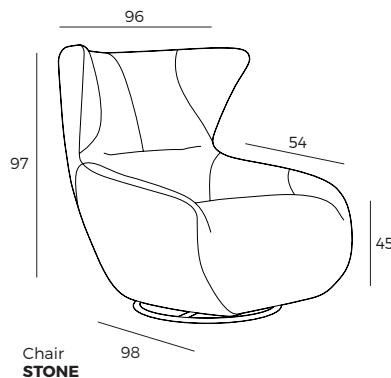
Black metal

IMPORTANT:

Upholstered furniture is handmade using soft materials, therefore measurements can vary in all modules by up to +/- 2cm.

Measurements

Scale 1:35



WAVE

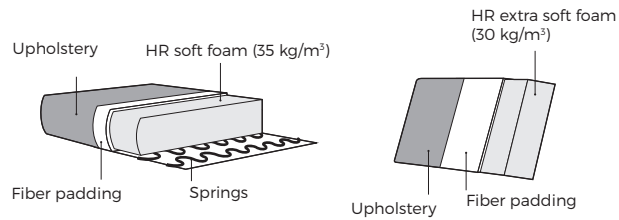


VILMERS

WAVE



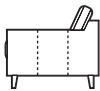
Comfort



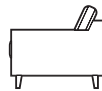
1. Upholstery



Leather*



Fabric



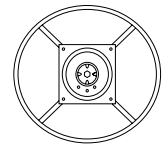
* Leather upholstery may require more stitches than fabric upholstery.

2. Rotation function



Rotates 360°

3. Legs



Black metal

IMPORTANT:

Upholstered furniture is handmade using soft materials, therefore measurements can vary in all modules by up to **+/-2 cm**.

Measurements

Scale 1:35

