

COLLECTIONS

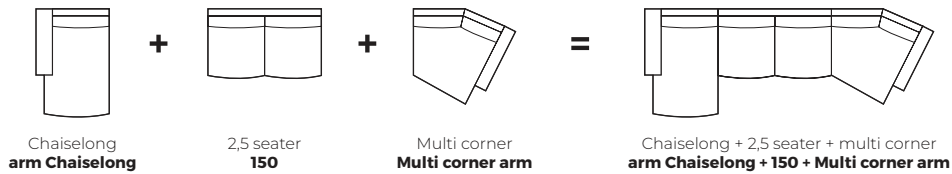
VILMERS

vilmers.com

Symbols

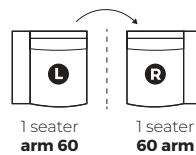
Legend

Design your dream sofa

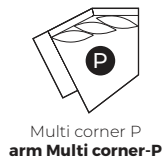
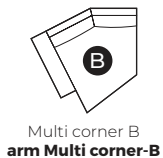


IMPORTANT!

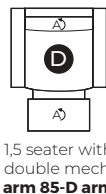
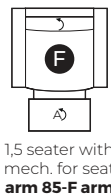
Modules and combinations shown in 2D drawings are left-sided.
Modules and combinations can be mirrored from left to right.



Back cushion selection

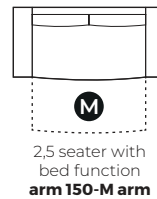


Headrest & seat type



▷ - manual F - mechanism for seat
A) - electrical D - double mechanism

Extra options



M - bed function
Y - storage

Multicolor options



Possible choice of two or three upholstery options for sofa

Furniture features in symbols



1. Sleeping function.
2. Seat & back cushions are fixed to the frame.
3. Seat & back cushions are loose from the frame.
4. Relax function: seat and headrest motion, mechanical or electrical.
5. Bonell pocket springs.
6. Natural feathers.
7. Storage.
8. Loose back and fixed seat.
9. Loose seat and fixed back.
10. Removable cover for loose cushions.*
(* For maintenance please check fabric information.)
11. Option to cover the sides of each seater with fabric.

ALPINE



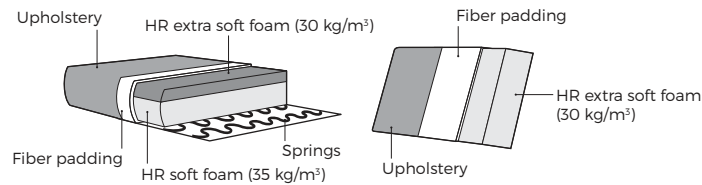
VILMERS



ALPINE



Comfort



1. Upholstery

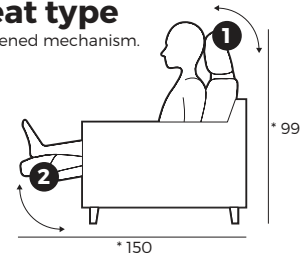


Fabric

2. Headrest & seat type

* Measurements for fully opened mechanism.

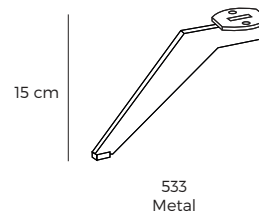
- 1 Manual ↷
- 2 Electrical ↷



3. Multicolour option



4. Legs

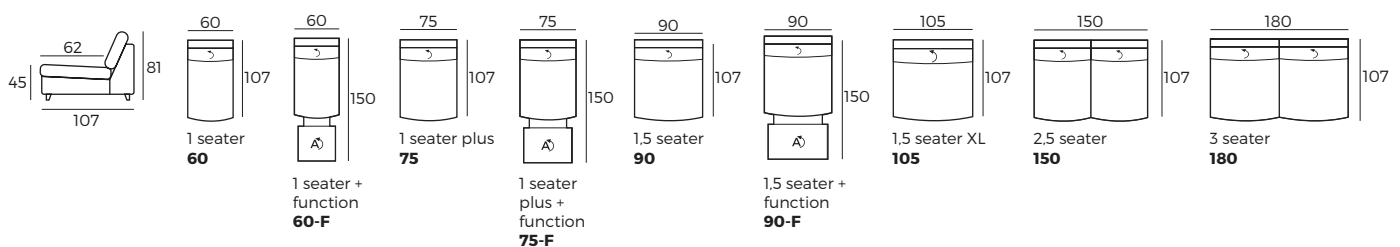


IMPORTANT:

Upholstered furniture is handmade using soft materials, therefore measurements can vary in all modules by up to **+/-2cm**.
Modules and combinations shown in 2D drawings are left-sided. Modules and combinations can be mirrored from left to right.

Modules

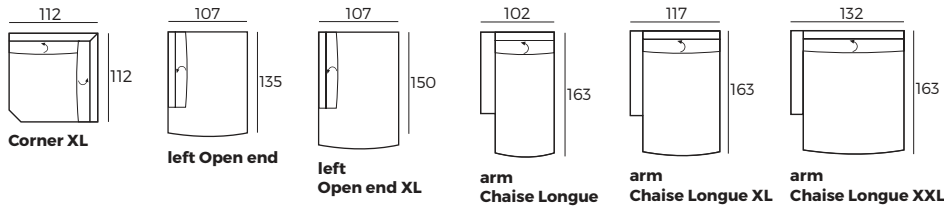
Scale 1:100



ALPINE

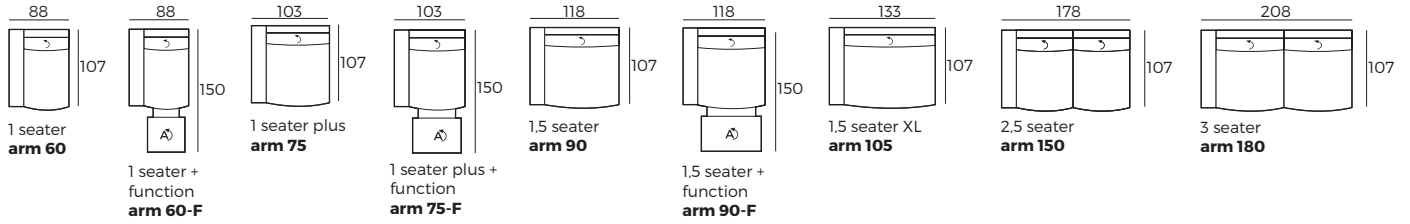
Modules

Scale 1:100

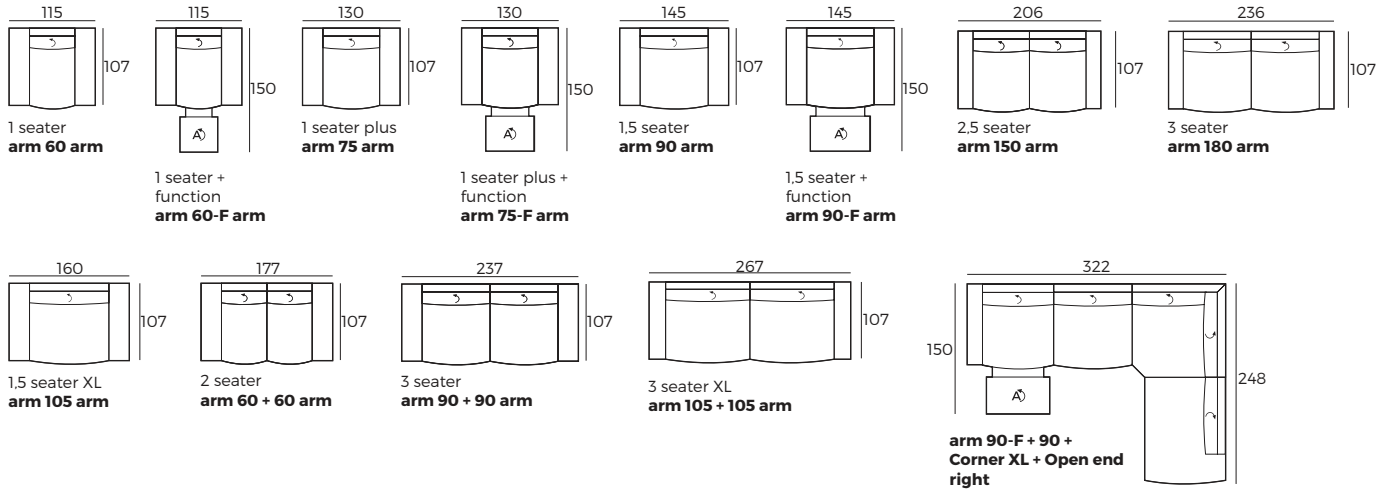


Modules with armrest

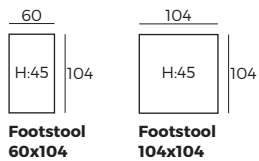
Scale 1:100



Combinations



Accessories



↷ - manual; Ⓐ - electrical; *F - single electric function

ALPS

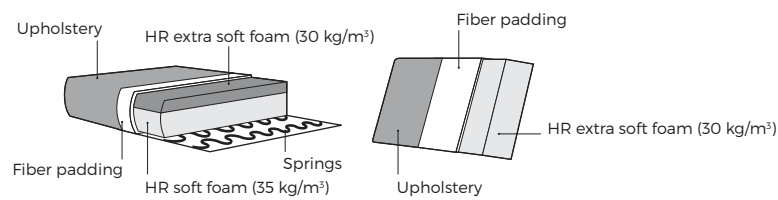


VILMERS

ALPS



Comfort



1. Upholstery



* Leather and fabric upholstery contain the same number of stitches.

2. Legs

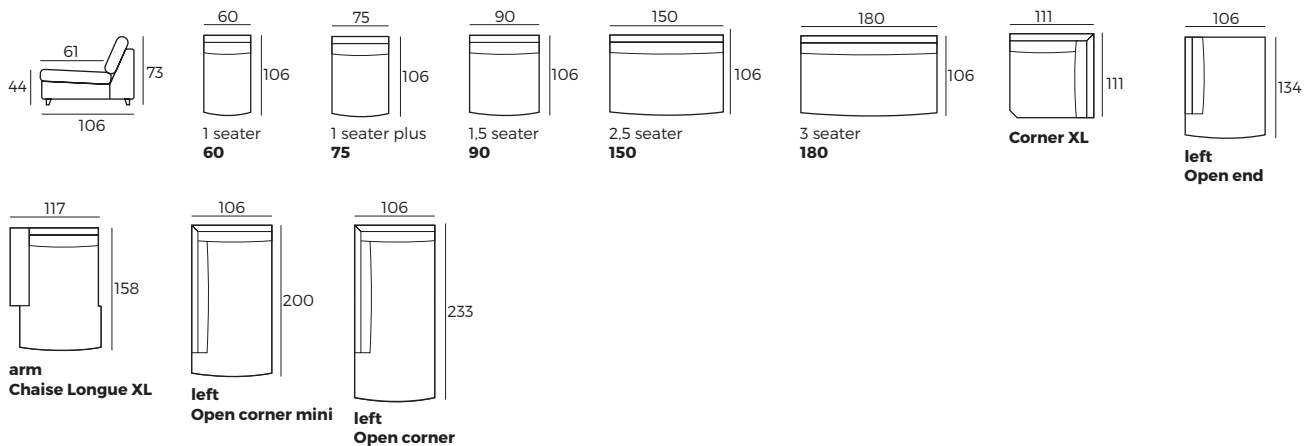


IMPORTANT:

Upholstered furniture is handmade using soft materials, therefore measurements can vary in all modules by up to **+/-2 cm**.
Modules and combinations shown in 2D drawings are left-sided. Modules and combinations can be mirrored from left to right.

Modules

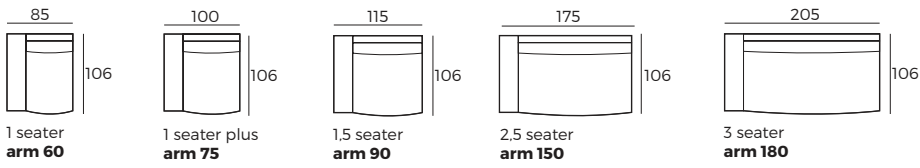
Scale 1:100



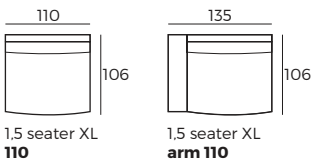
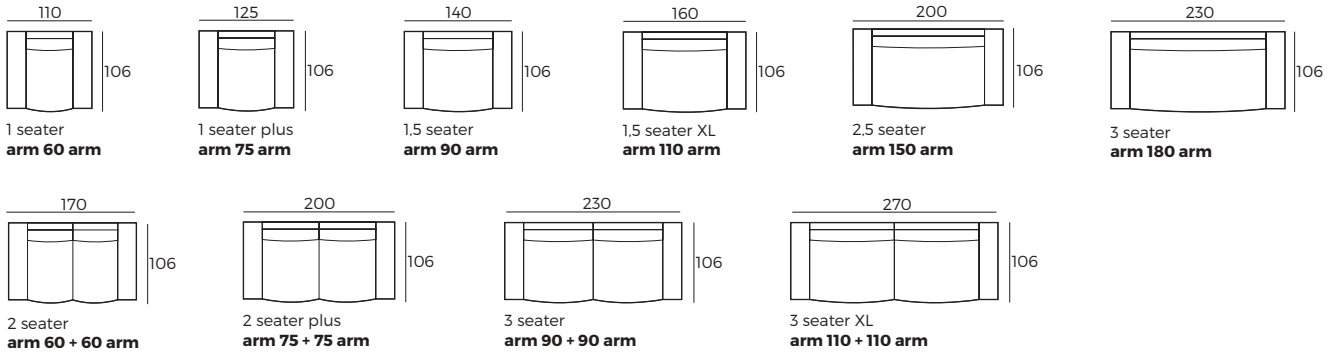
ALPS

Modules with armrest

Scale 1:100

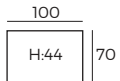


Combinations



This module can only connect with each other.
For example arm 110+110+110 arm

Accessories



Footstool
100x70

ALVAR

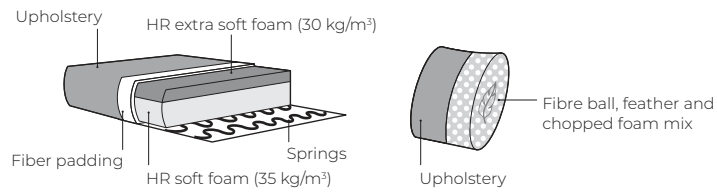


VILMERS

ALVAR



Comfort



1. Upholstery



Leather*

Fabric

* Leather upholstery may require more stitches than fabric upholstery.

2. Legs

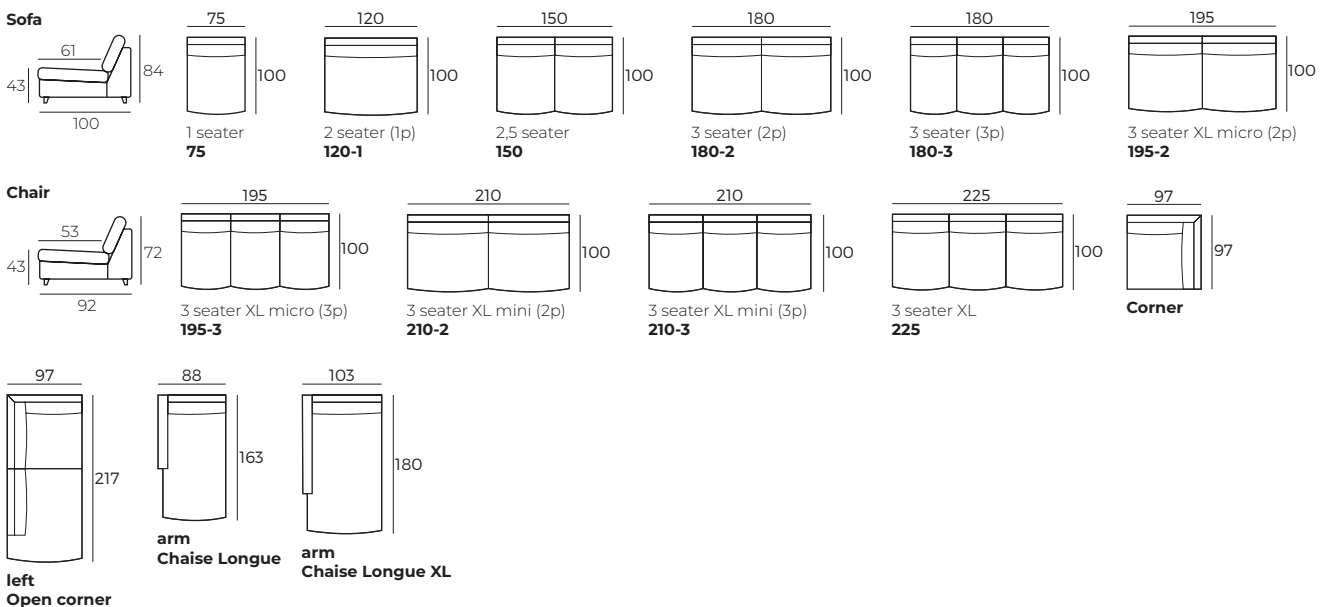


IMPORTANT:

Upholstered furniture is handmade using soft materials, therefore measurements can vary in all modules by up to **+/-2 cm**.
 Modules and combinations shown in 2D drawings are left-sided. Modules and combinations can be mirrored from left to right.
 For an additional fee, the sides of each seater module can be covered in fabric.

Modules

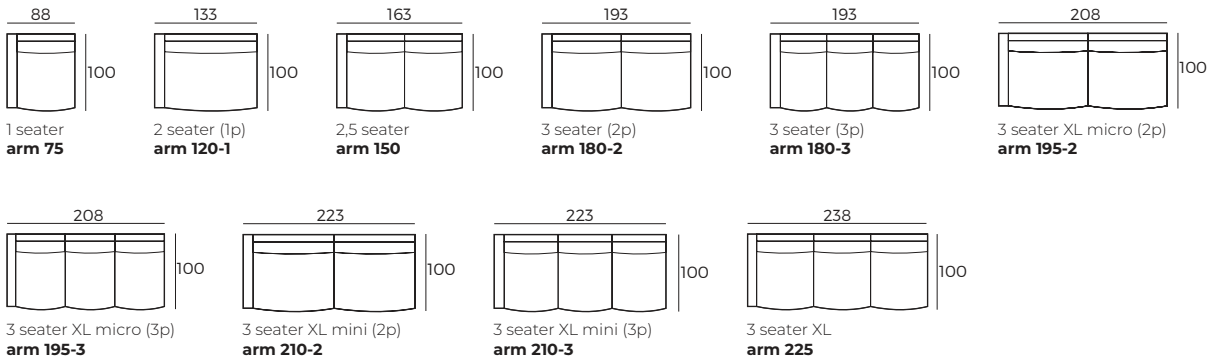
Scale 1:100



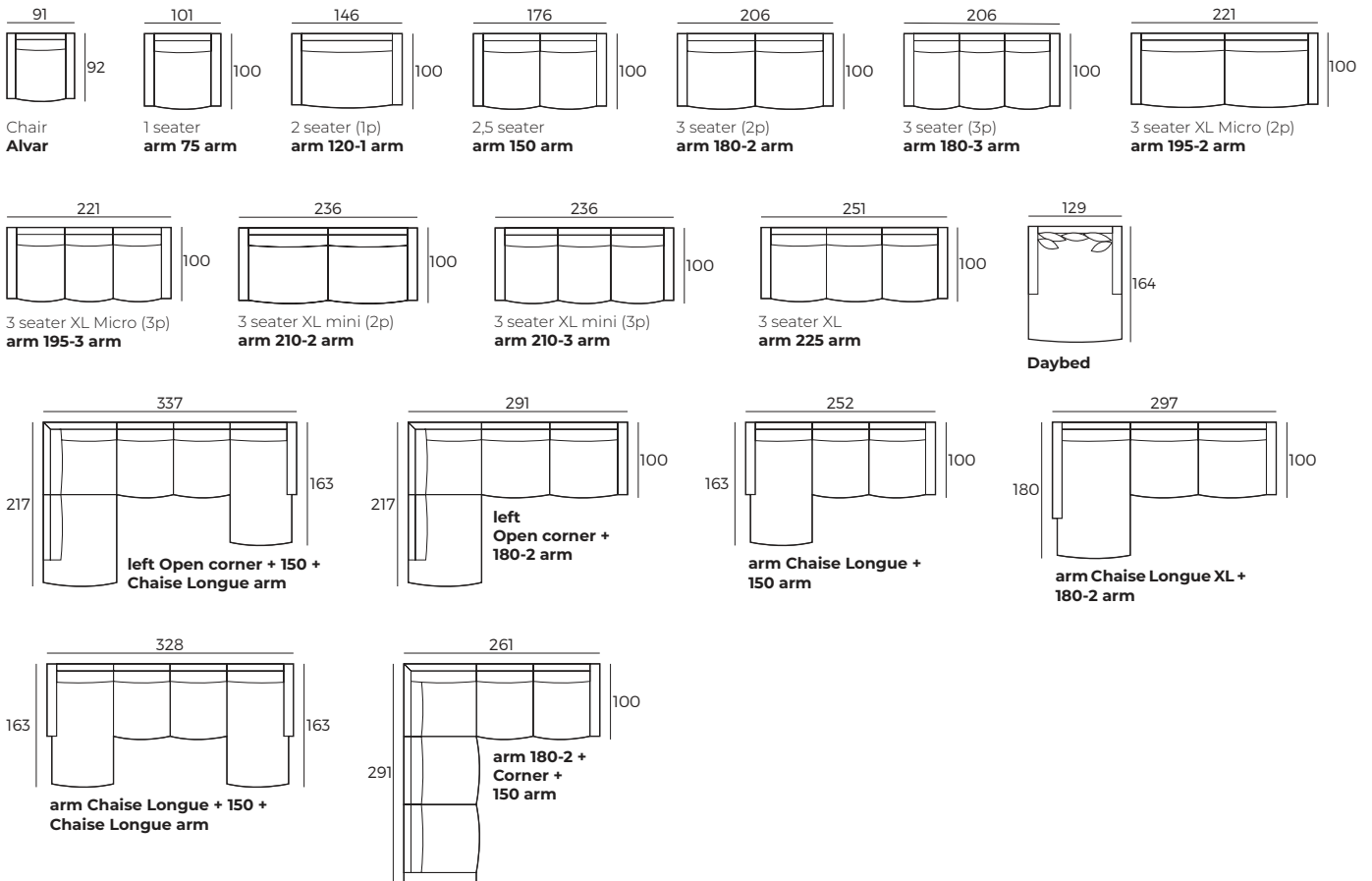
ALVAR

Modules with armrest

Scale 1:100



Combinations



Accessories



ARCH

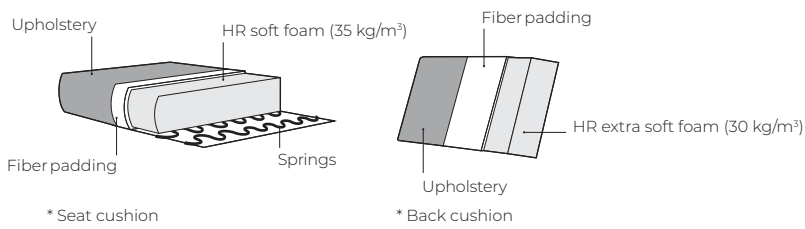


VILMERS

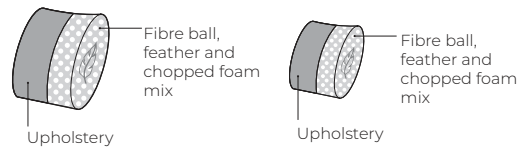
ARCH



Comfort



Deco cushions

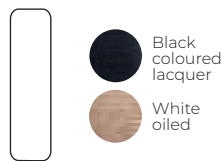


1. Upholstery



*Leather upholstery may require more stitches than fabric upholstery.

2. Tray



3. Legs

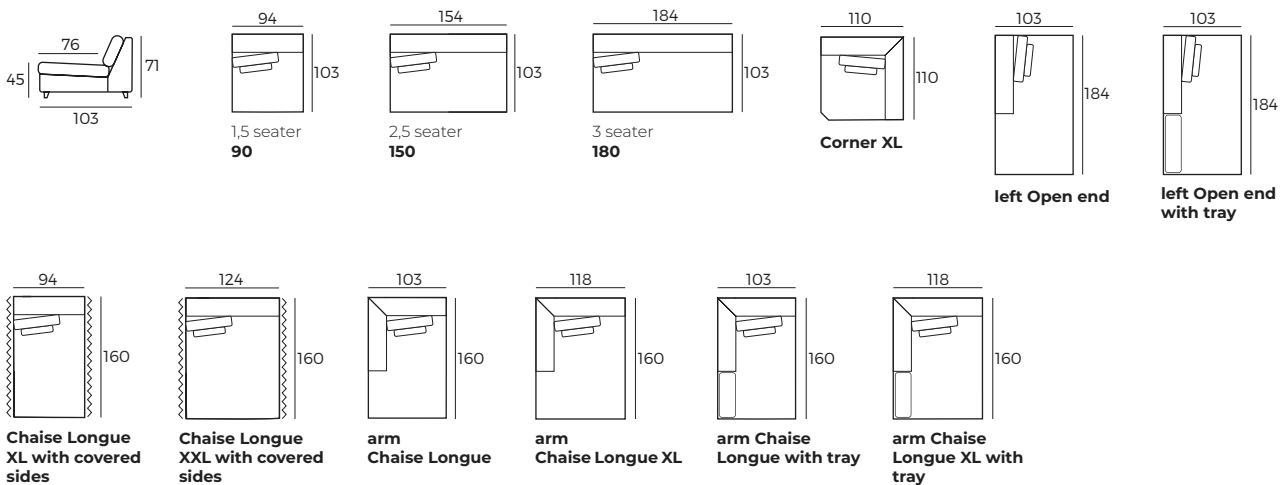


IMPORTANT:

Upholstered furniture is handmade using soft materials, therefore measurements can vary in all modules by up to **+/-2 cm**.
 Modules and combinations shown in 2D drawings are left-sided. Modules and combinations can be mirrored from left to right.
 All modules have an opportunity to cover the sides with fabric.

Modules

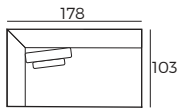
Scale 1:100



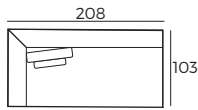
ARCH

Modules with armrest

Scale 1:100

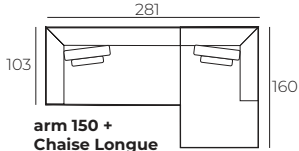


2.5 seater
arm 150

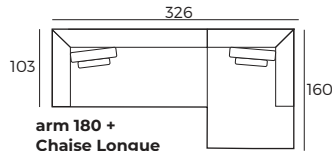


3 seater
arm 180

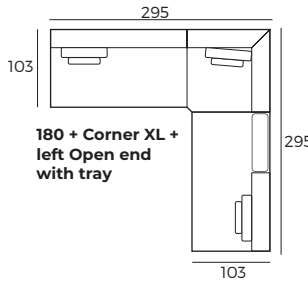
Combinations



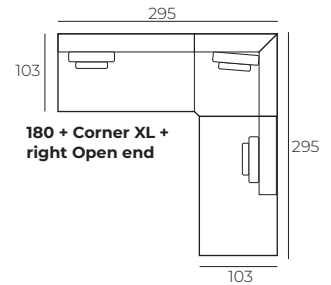
arm 150 +
Chaise Longue
arm



arm 180 +
Chaise Longue
XL arm

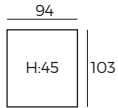


180 + Corner XL +
left Open end
with tray

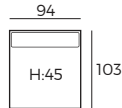


180 + Corner XL +
right Open end

Accessories



Footstool
94x103



Footstool
with tray
94x103



Deco cushion
70x45x16



Deco cushion
60x40x16

BEACH

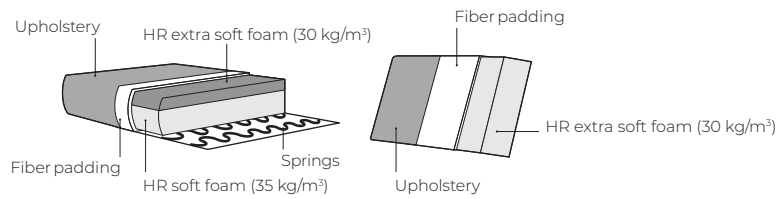


VILMERS

BEACH



Comfort



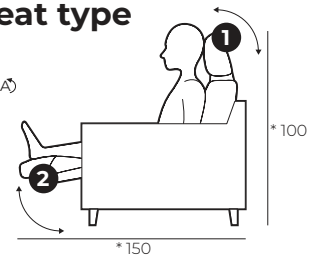
1. Upholstery



* Leather and fabric upholstery contain the same number of stitches.

2. Headrest & seat type

- 1 Manual ↗ / Electrical ⌚
- 2 Electrical ⌚



* Measurements for fully opened mechanism.

3. Legs



4. Armrests



BENTO
W 25 x D 111 x H 64



SHARE
W 19 x D 111 x H 64



OMEGA*
W 5 x D 109 x H 50

*Not suitable for chaise longue.
*Only with modules with mechanisms

IMPORTANT:

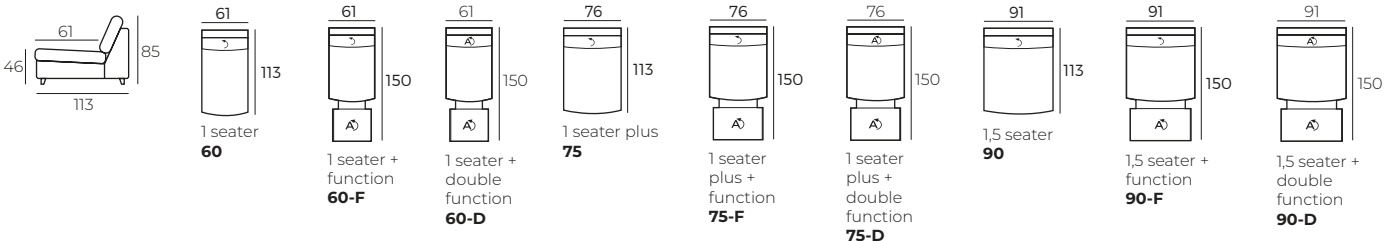
Upholstered furniture is handmade using soft materials, therefore measurements can vary in all modules by up to **+/- 2 cm**.
Modules and combinations shown in 2D drawings are left-sided. Modules and combinations can be mirrored from left to right.

Parts with a mechanism always have fibertex covered sides.

Sofa mechanism with two motors.

Modules (Measurements with BENTO armrest)

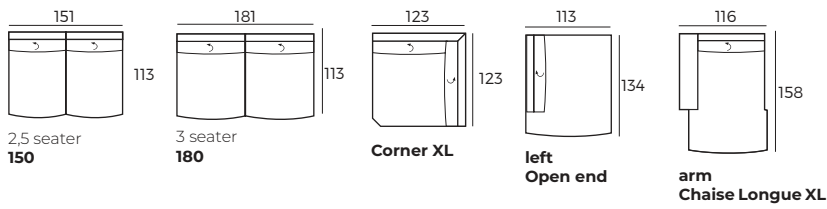
Scale 1:100



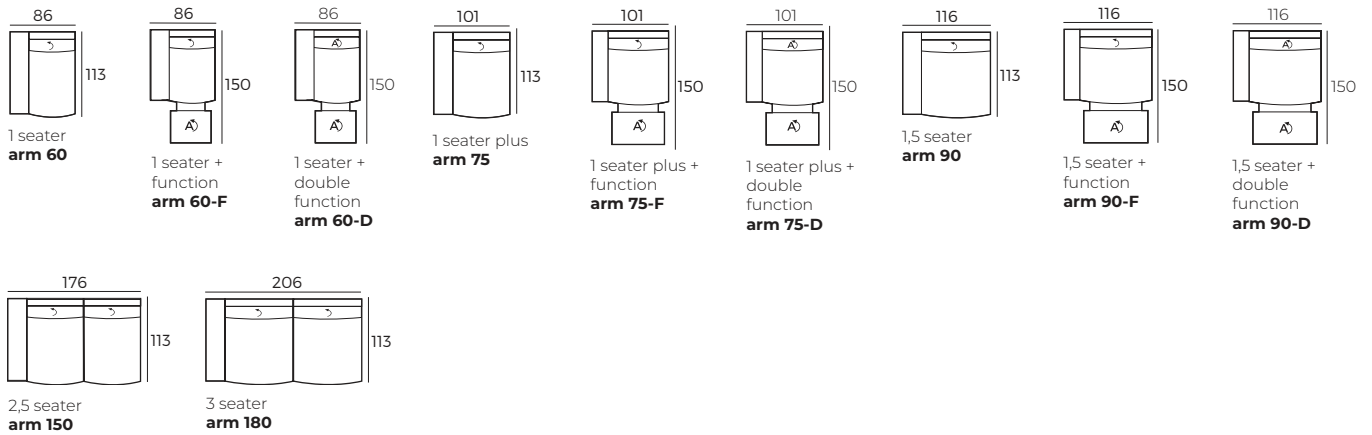
BEACH

Modules (Measurements with BENTO armrest)

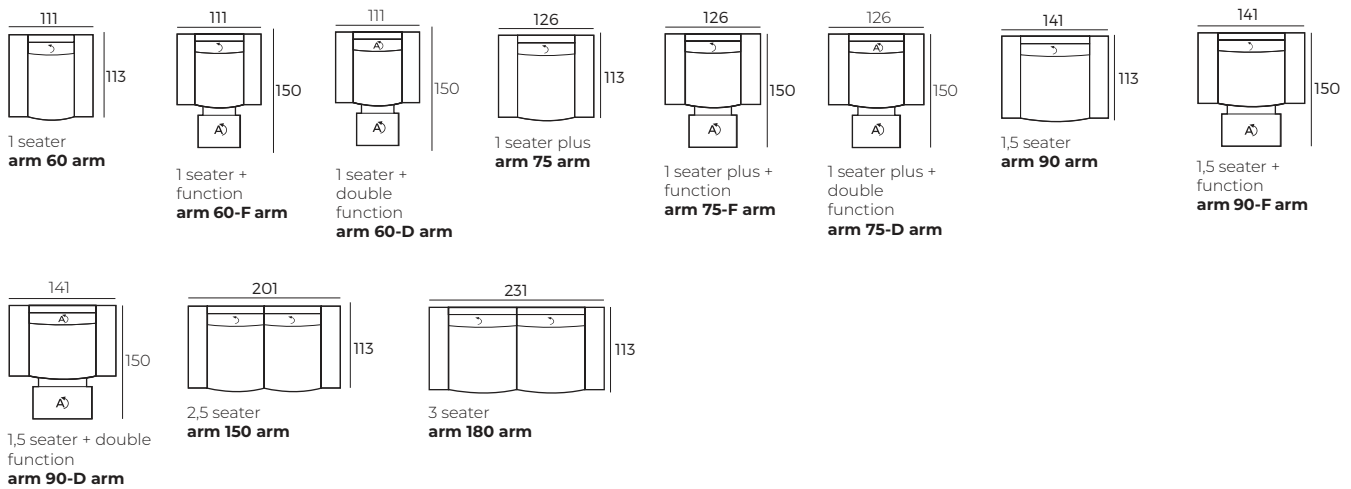
Scale 1:100



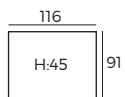
Modules with armrest (Measurements with BENTO armrest)



Combinations (Measurements with BENTO armrest)



Accessories



Footstool 116x91

↵ - manual; ⚡ - electrical *F - single electric function; *D - double electric function

BLUEMARY

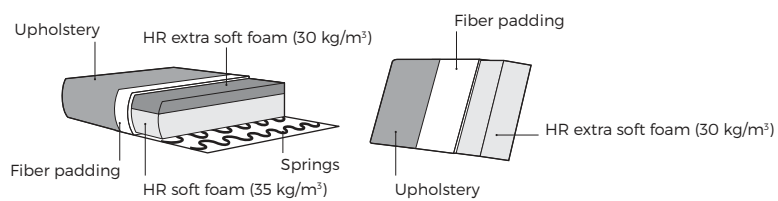


VILMERS

BLUEMARY



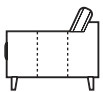
Comfort



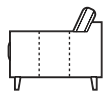
1. Upholstery



Leather*



Fabric



* Leather and fabric upholstery contain the same number of stitches.

2. Legs

3 cm



282
Oiled



Black



323
Metal



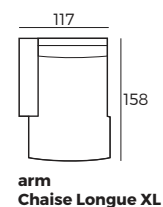
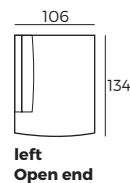
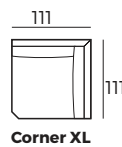
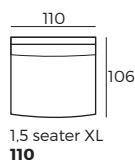
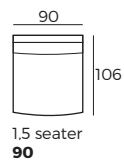
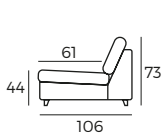
152
Plastic

Upholstered furniture is handmade using soft materials, therefore measurements can vary in all modules by up to **+/-2cm**.

Modules and combinations shown in 2D drawings are left-sided. Modules and combinations can be mirrored from left to right.

Modules

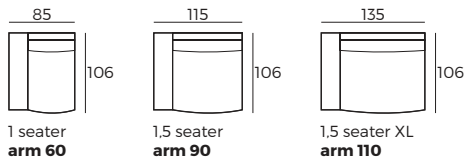
Scale 1:100



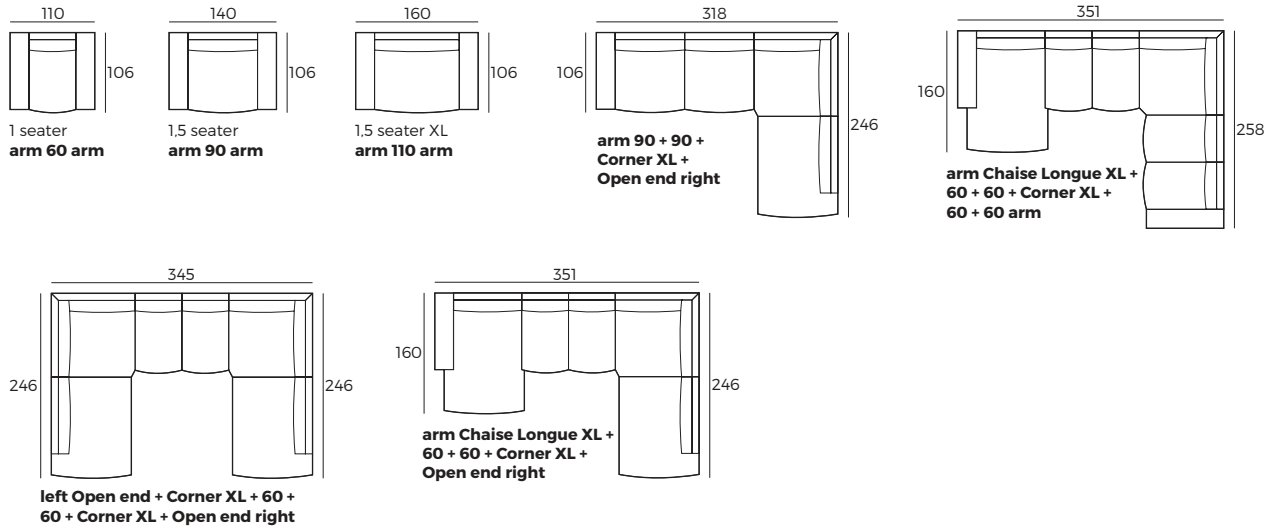
BLUEMARY

Modules with armrest

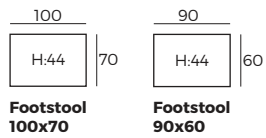
Scale 1:100



Combinations



Accessories



BOSTON

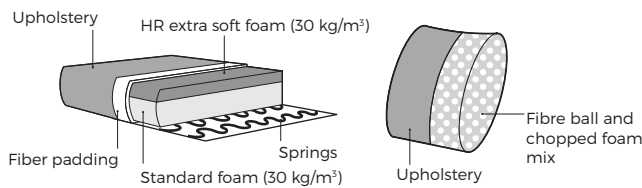


VILMERS

BOSTON



Comfort



1. Upholstery



Fabric

2. Armrests



3. Choose cushions



4. Multicolour option



5. Legs



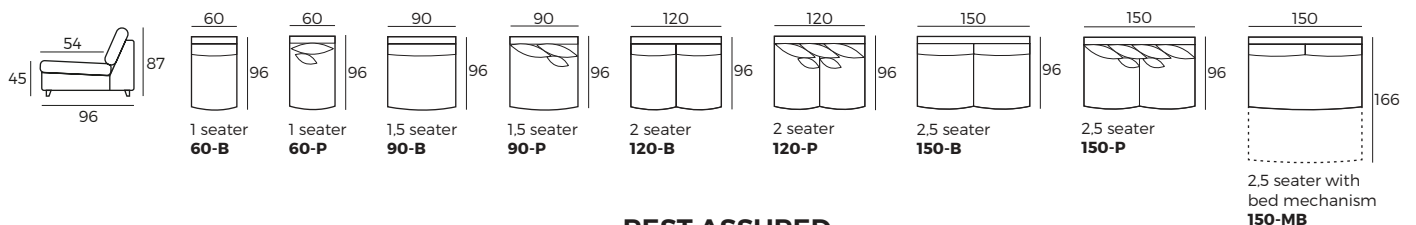
* The height of all legs can be either 3 cm, 6 cm or 8 cm.

IMPORTANT:

Upholstered furniture is handmade using soft materials, therefore measurements can vary in all modules by up to **+/- 2 cm**.
Modules and combinations shown in 2D drawings are left-sided. Modules and combinations can be mirrored from left to right.

Modules (Measurements with BOSTON armrest)

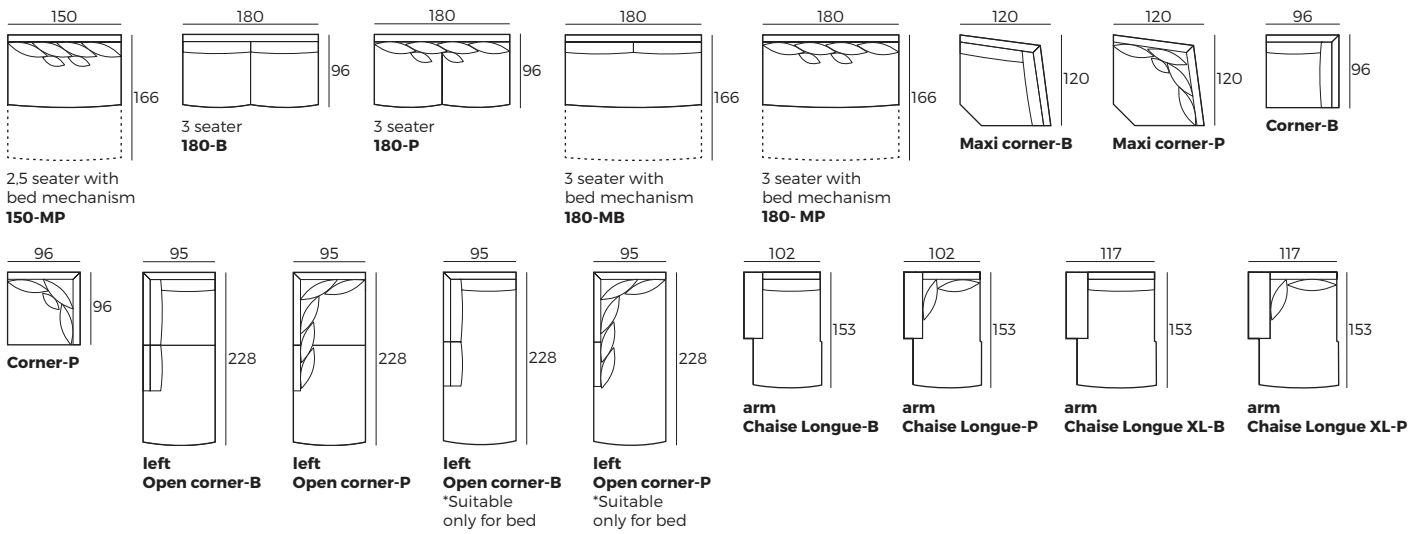
Scale 1:100



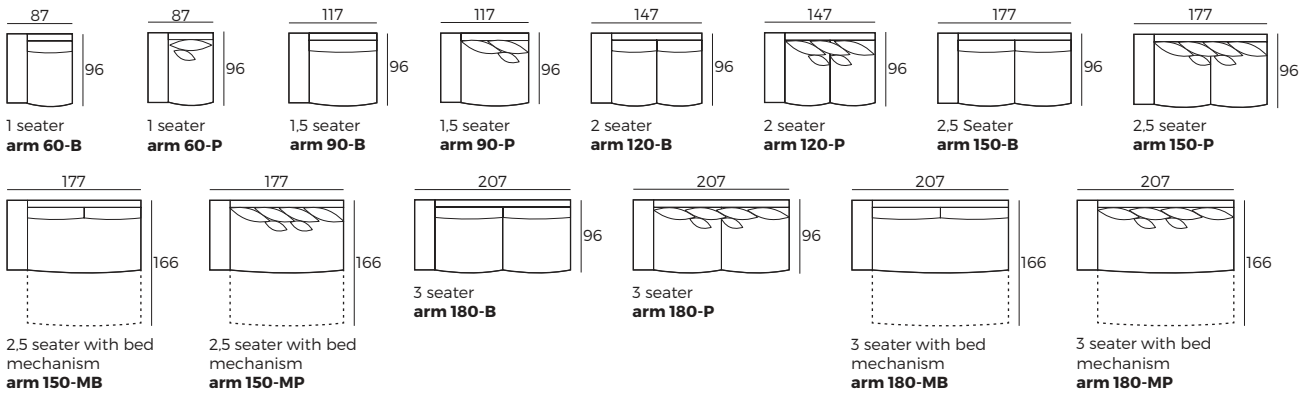
BOSTON

Modules (Measurements with BOSTON armrest)

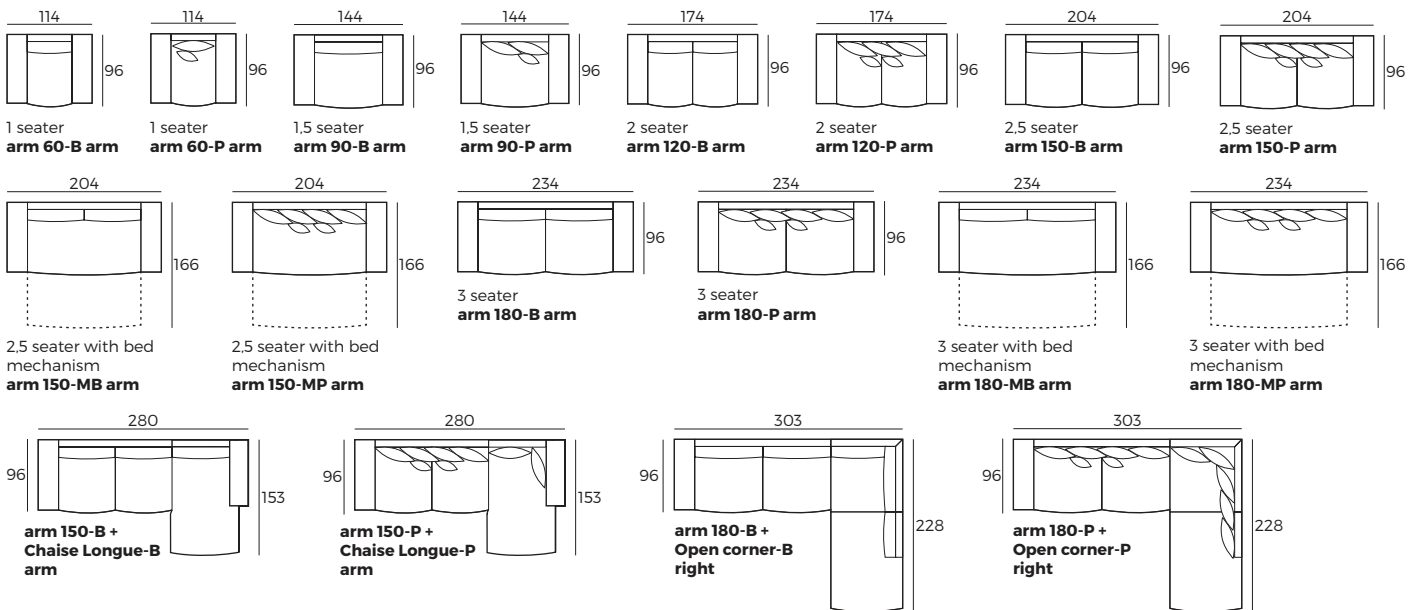
Scale 1:100



Modules with armrest (Measurements with BOSTON armrest)

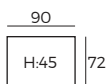


Combinations (Measurements with BOSTON armrest)



Accessories

Scale 1:100



Footstool
90x72

BRERA

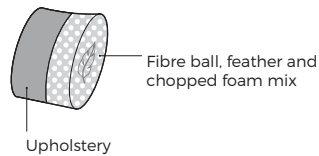
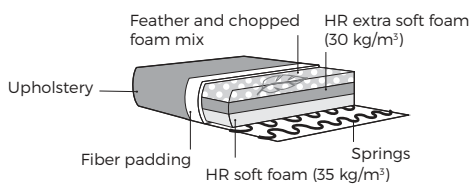


VILMERS

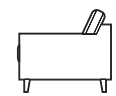
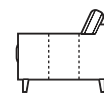
BRERA



Comfort

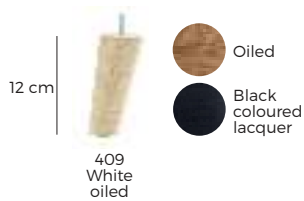


1. Upholstery



* Leather upholstery may require more stitches than fabric upholstery.

2. Legs

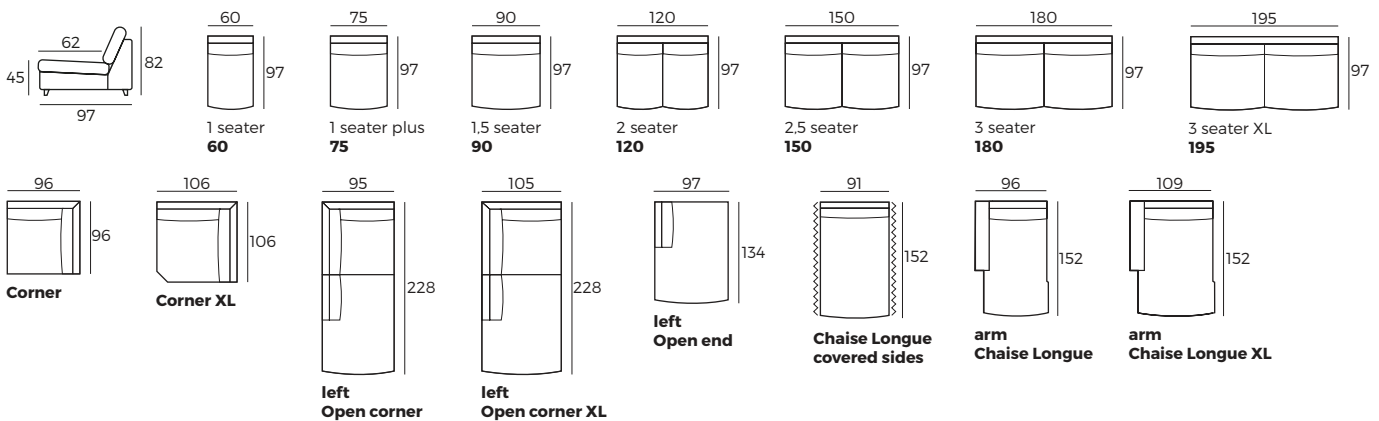


IMPORTANT:

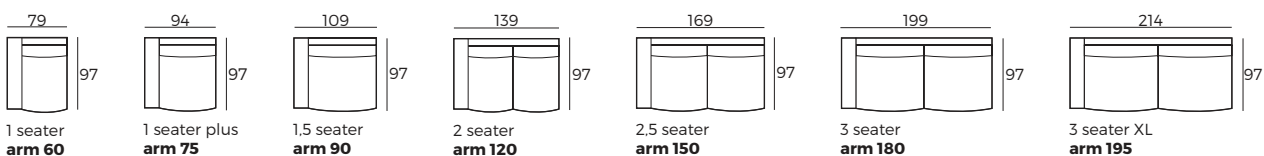
Upholstered furniture is handmade using soft materials, therefore measurements can vary in all modules by up to **+/-2 cm**.
Modules and combinations shown in 2D drawings are left-sided. Modules and combinations can be mirrored from left to right.
The standard leg is 12 cm.

Modules

Scale 1:100



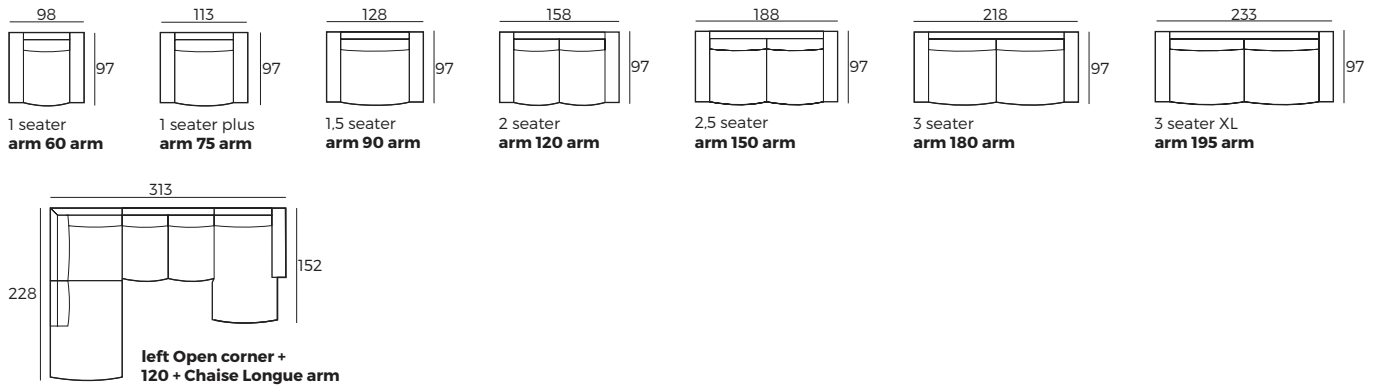
Modules with armrest



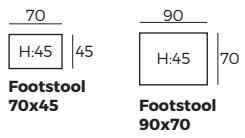
BRERA

Combinations

Scale 1:100



Accessories



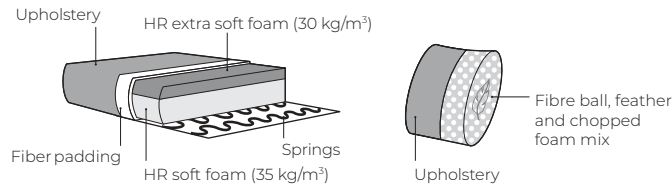
BRIDGE



BRIDGE



Comfort



1. Upholstery



* Leather upholstery may require more stitches than fabric upholstery.

3. Legs

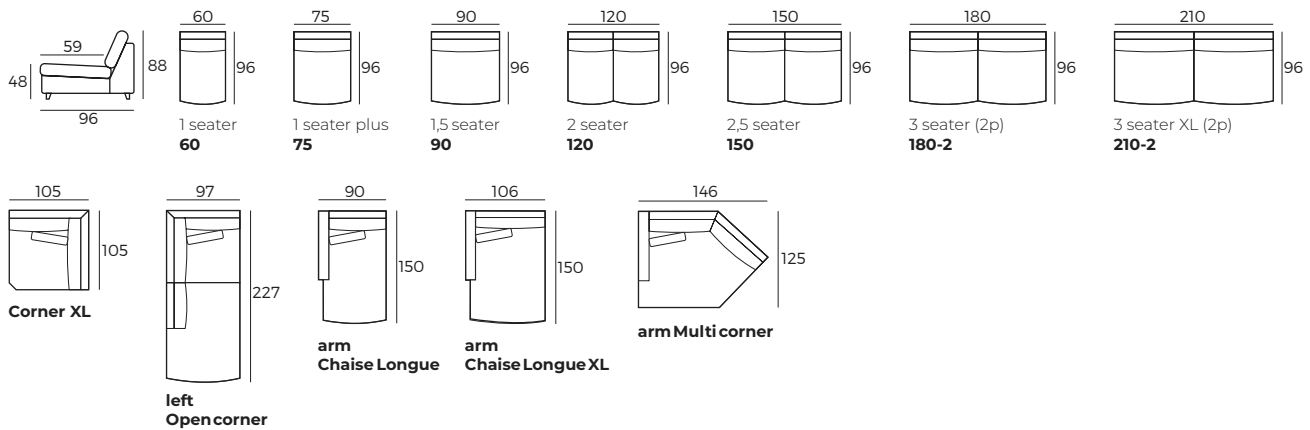


IMPORTANT:

Upholstered furniture is handmade using soft materials, therefore measurements can vary in all modules by up to **+/-2 cm**.
Modules and combinations shown in 2D drawings are left-sided. Modules and combinations can be mirrored from left to right.

Modules

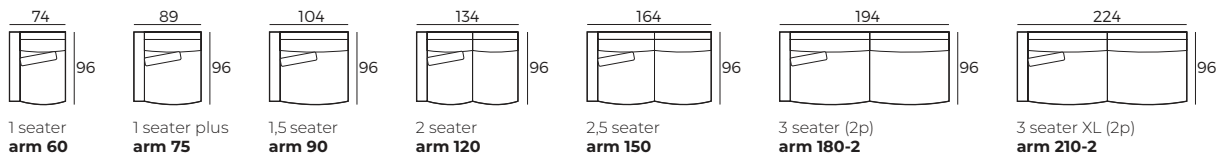
Scale 1:100



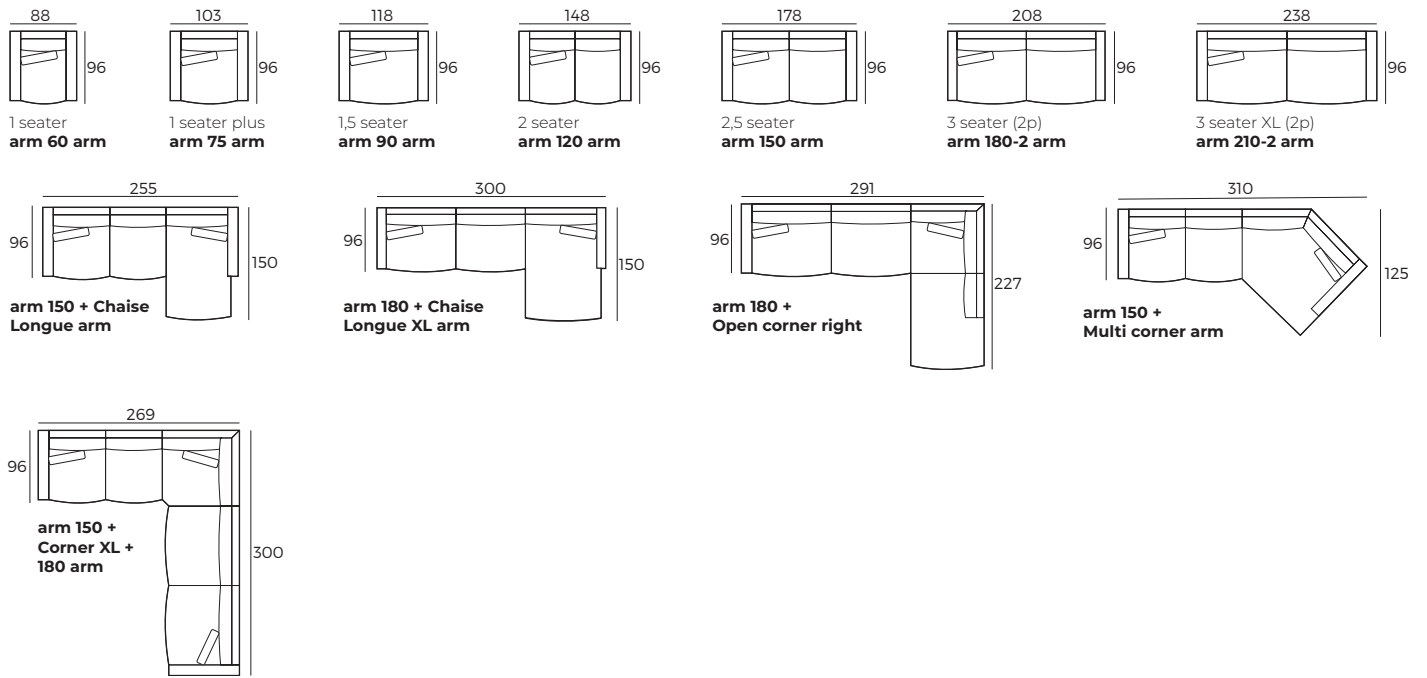
BRIDGE

Modules with armrest

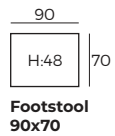
Scale 1:100



Combinations



Accessories



BURROW

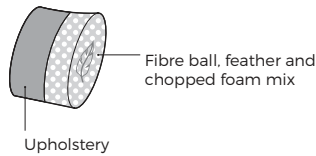
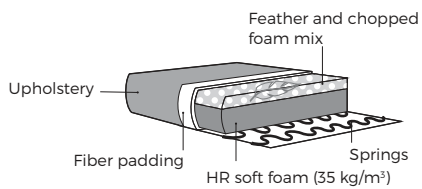


VILMERS

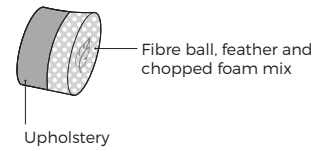
BURROW



Comfort



Deco cushion



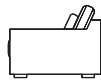
1. Upholstery



Leather*



Fabric



* Leather upholstery may require more stitches than fabric upholstery.

2. Armrest



BURROW
W 29 x D 114 x H 51



EIRA
W 25 x D 114 x H 51



STYLE
W 14 x D 114 x H 58



SPLIT
W 29 x D 114 x H 51

*Not suitable for Chaise Longue

3. Multicolour option



4. Legs

3 cm



525
Oiled



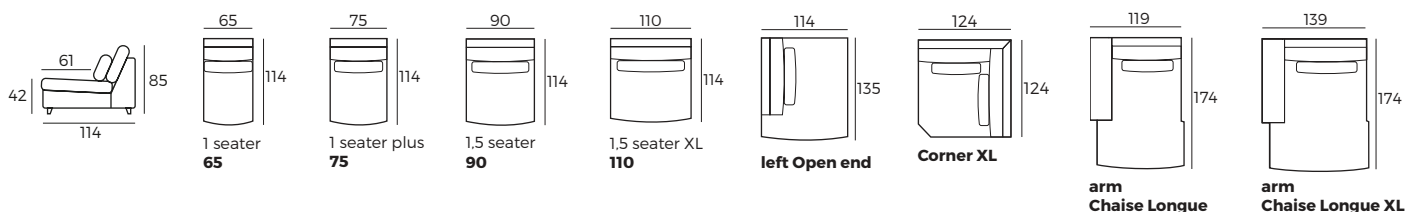
Black

IMPORTANT:

Upholstered furniture is handmade using soft materials, therefore measurements can vary in all modules by up to **+/-2 cm**.
Modules and combinations shown in 2D drawings are left-sided. Modules and combinations can be mirrored from left to right.

Modules (Measurements with BURROW armrest)

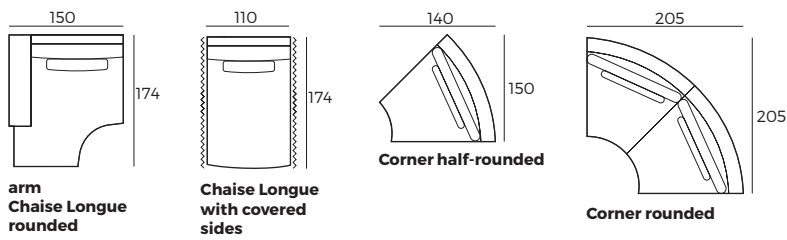
Scale 1:100



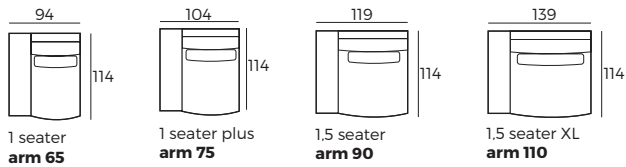
BURROW

Modules (Measurements with BURROW armrest)

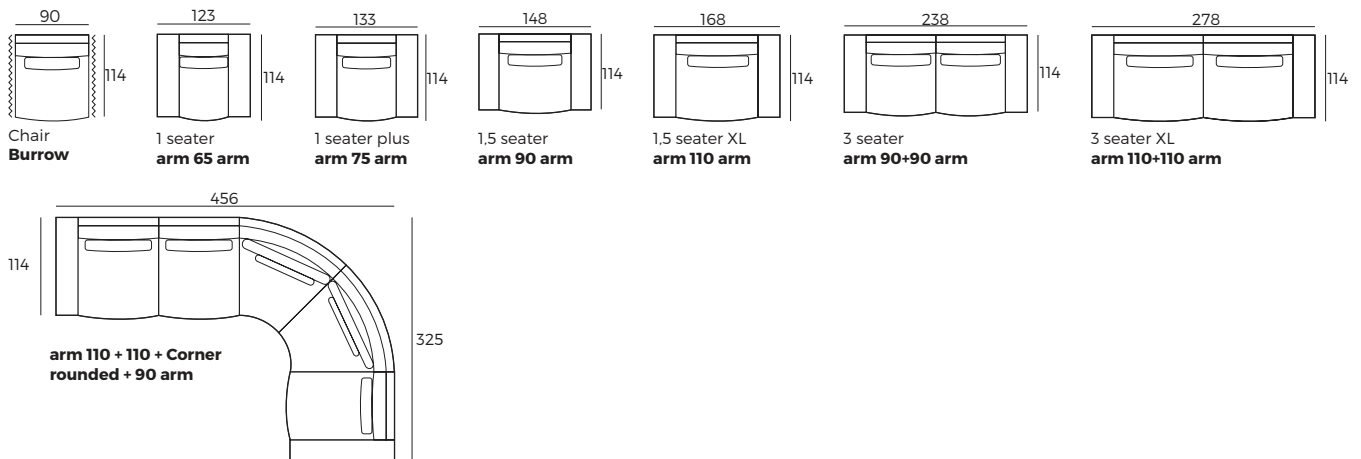
Scale 1:100



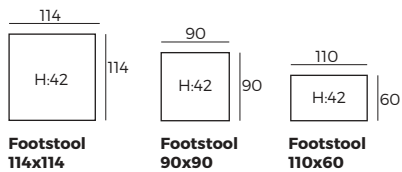
Modules with armrest (Measurements with BURROW armrest)



Combinations (Measurements with BURROW armrest)



Accessories



CANYON

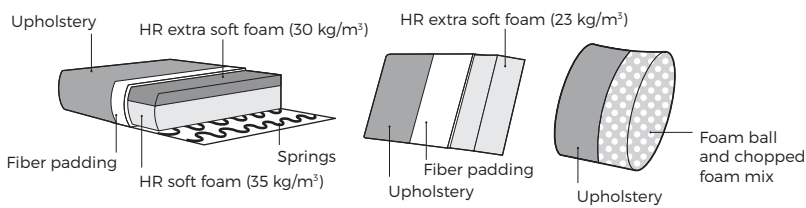


VILMERS

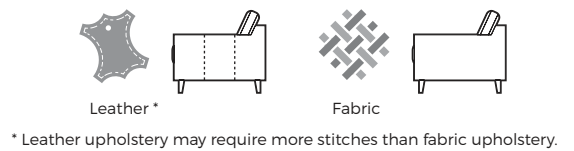
CANYON



Comfort



1. Upholstery



2. Multicolour option



3. Choose cushions

Multi corner



4. Legs

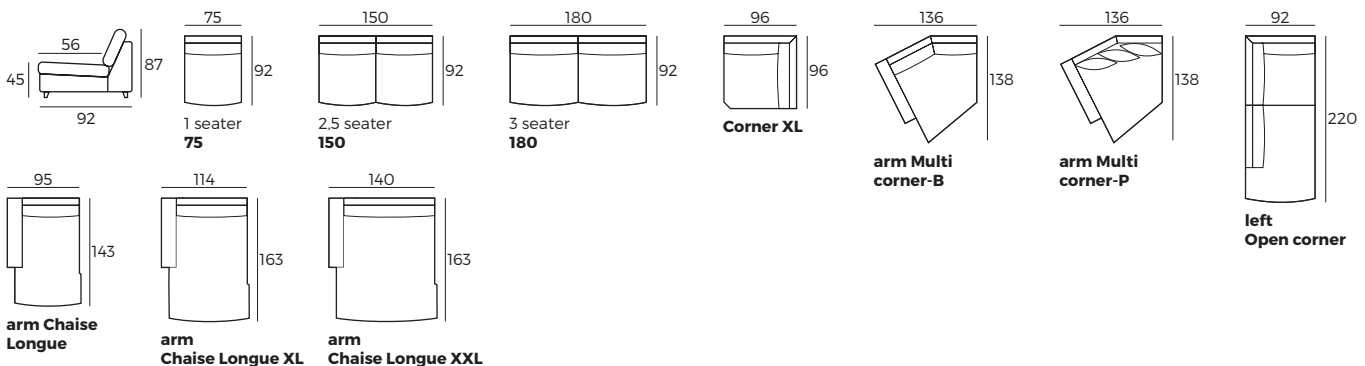


IMPORTANT:

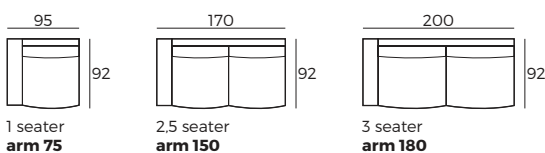
Upholstered furniture is handmade using soft materials, therefore measurements can vary in all modules by up to **+/-2 cm**.
Modules and combinations shown in 2D drawings are left-sided. Modules and combinations can be mirrored from left to right.

Modules

Scale 1:100



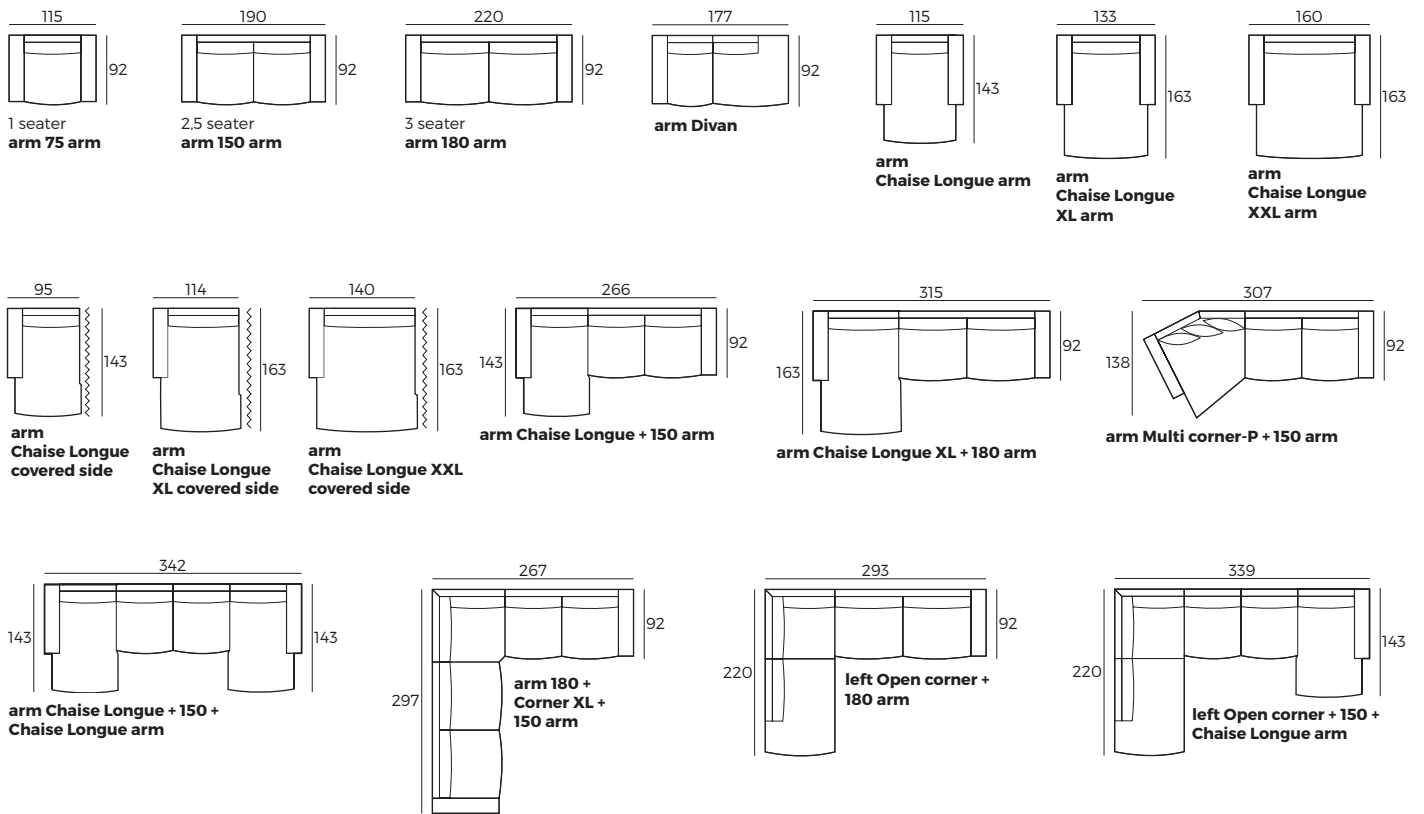
Modules with armrest



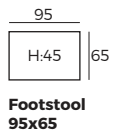
CANYON

Combinations

Scale 1:100



Accessories



CARA

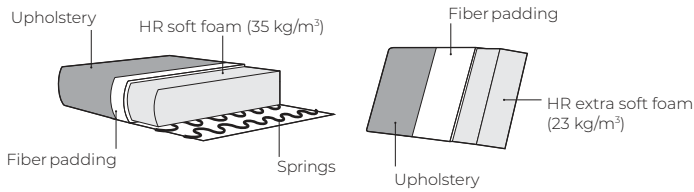


VILMERS

CARA



Comfort



1. Upholstery



2. Armrests



SKAGEN
W 14 x D 83 x H 53

ATHEN
W 15 x D 83 x H 53

CARA
W 17 x D 83 x H 53

3. Multicolour option



4. Legs

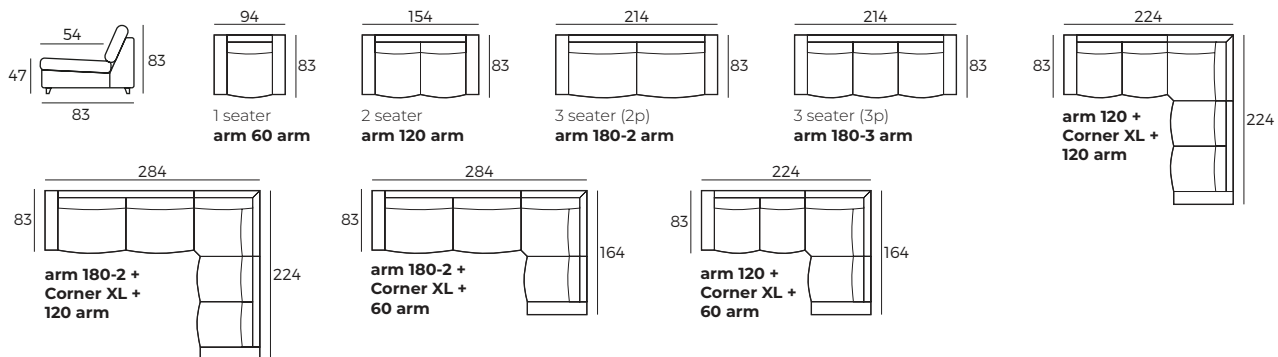


IMPORTANT:

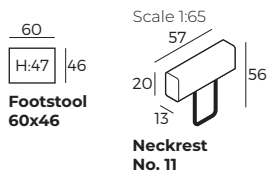
Upholstered furniture is handmade using soft materials, therefore measurements can vary in all modules by up to **+/- 2 cm**.
Modules and combinations shown in 2D drawings are left-sided. Modules and combinations can be mirrored from left to right.

Combinations (Measurements with CARA armrest)

Scale 1:100



Accessories



CAROLINA

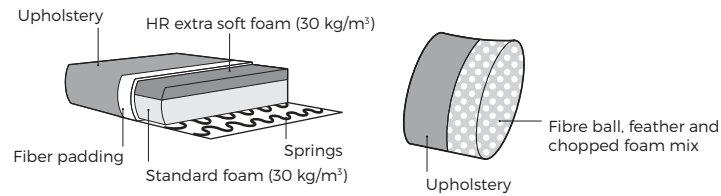


VILMERS

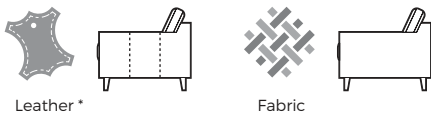
CAROLINA



Comfort



1. Upholstery



* Leather upholstery may require more stitches than fabric upholstery.

2. Armrests



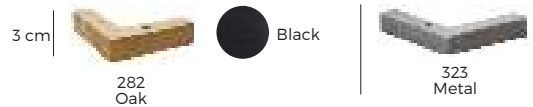
3. Choose cushions



4. Multicolour option



5. Legs

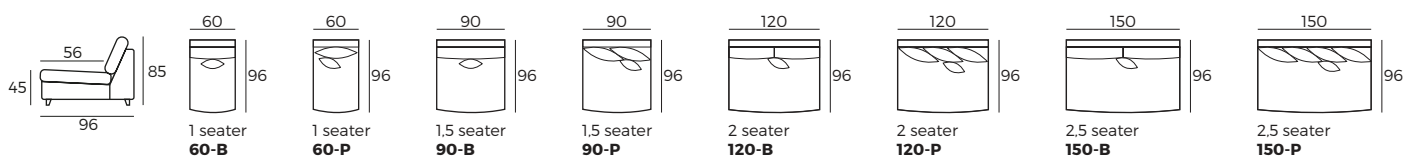


IMPORTANT:

Upholstered furniture is handmade using soft materials, therefore measurements can vary in all modules by up to **+/-2 cm**.
Modules and combinations shown in 2D drawings are left-sided. Modules and combinations can be mirrored from left to right.

Modules (Measurements with STREET armrest)

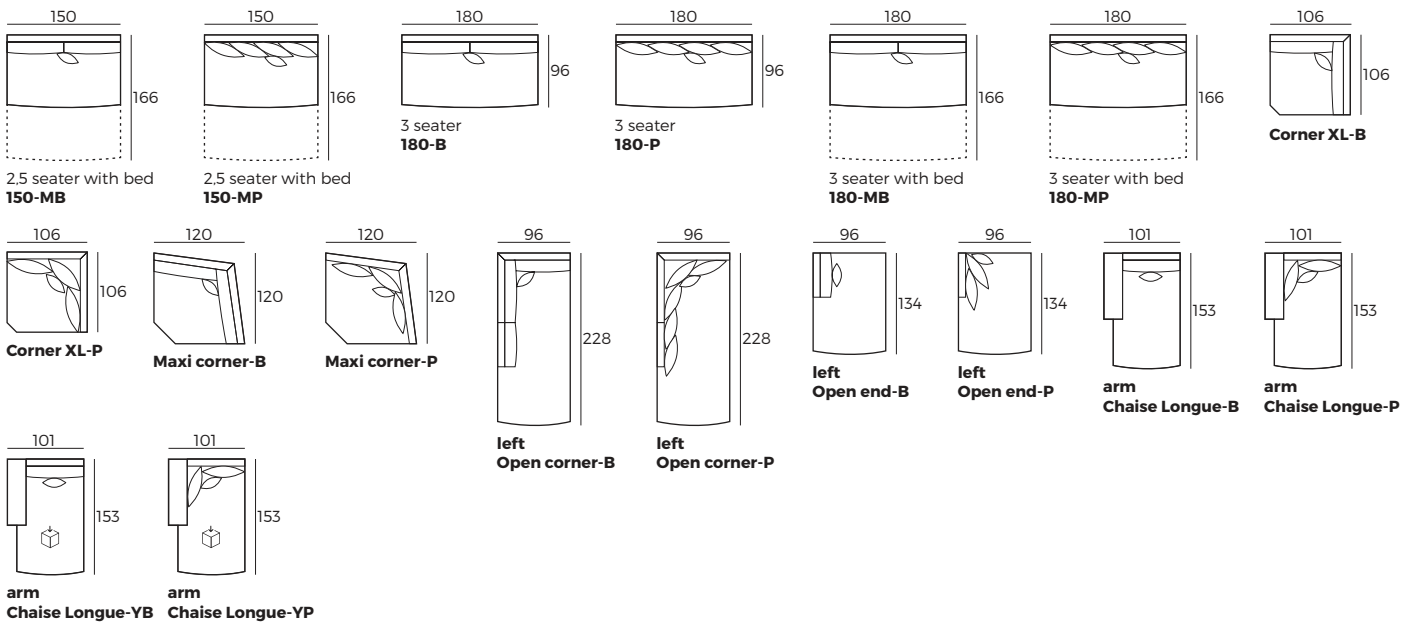
Scale 1:100



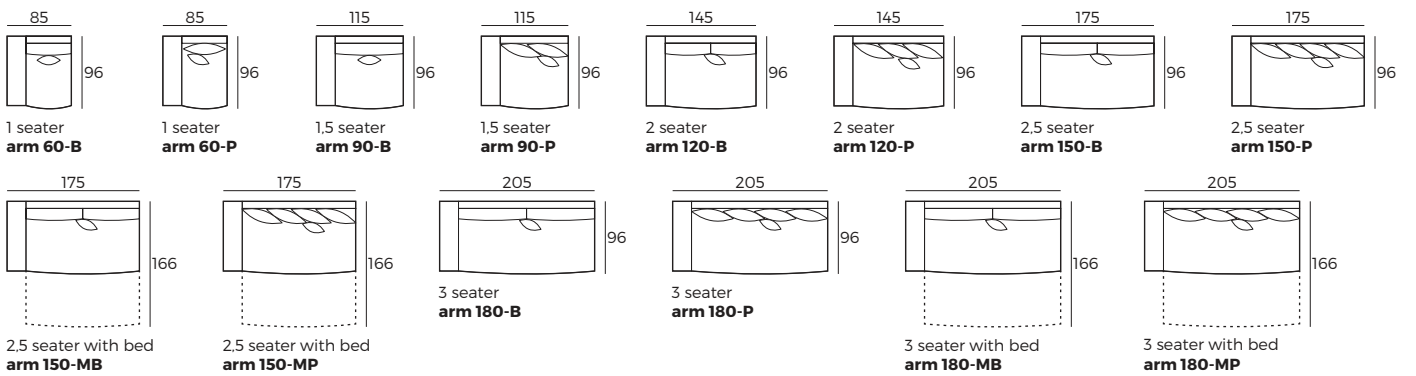
CAROLINA

Modules (Measurements with STREET armrest)

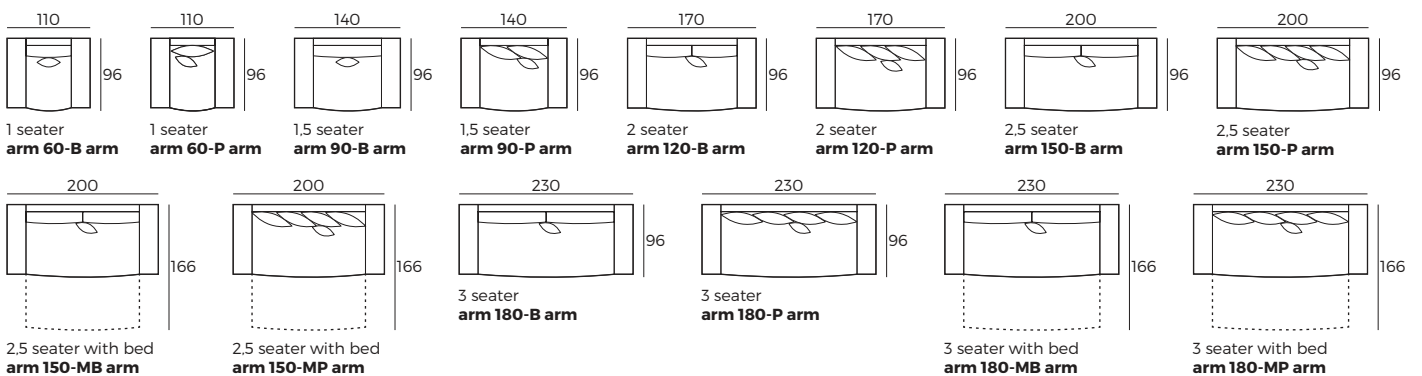
Scale 1:100



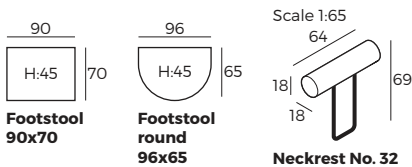
Modules with armrest (Measurements with STREET armrest)



Combinations (Measurements with STREET armrest)



Accessories



CLOVER

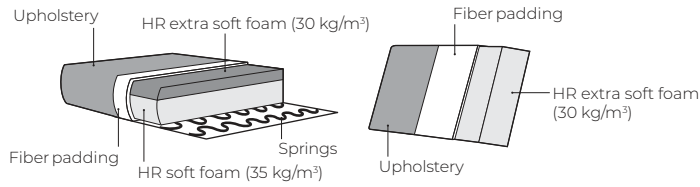


VILMERS

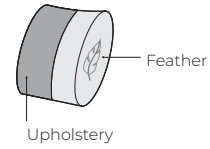
CLOVER



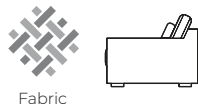
Comfort



Deco cushion



1. Upholstery



2. Legs

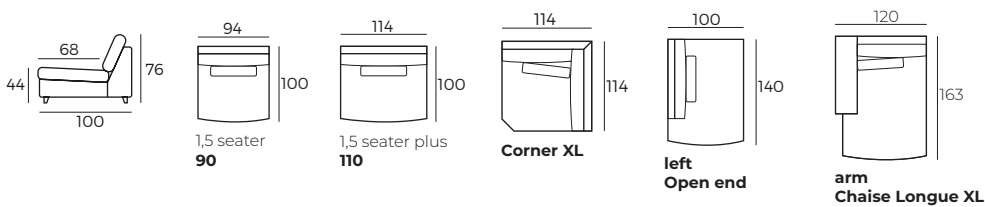


IMPORTANT:

Upholstered furniture is handmade using soft materials, therefore measurements can vary in all modules by up to **+/-2 cm**.
Modules and combinations shown in 2D drawings are left-sided. Modules and combinations can be mirrored from left to right.

Modules

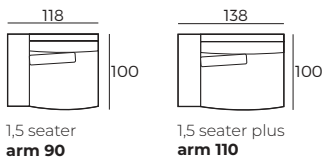
Scale 1:100



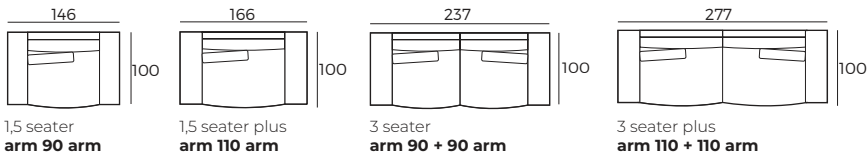
CLOVER

Modules with armrest

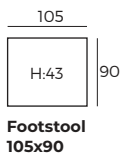
Scale 1:100



Combinations



Accessories



COMFY

SCANDINAVIAN



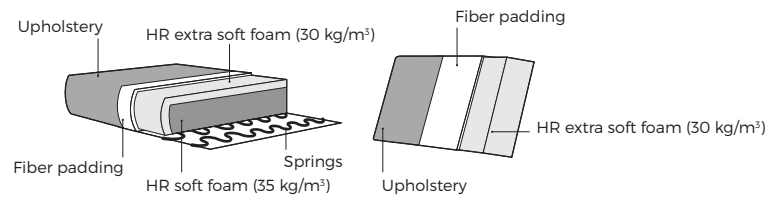
VILMERS

COMFY

SCANDINAVIAN



Comfort



1. Upholstery



2. Legs

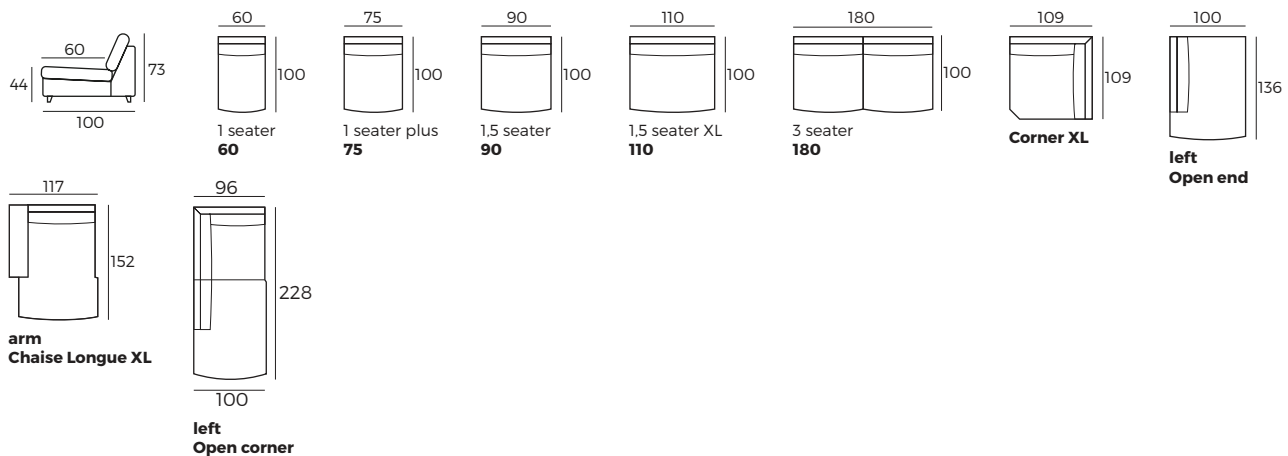


IMPORTANT:

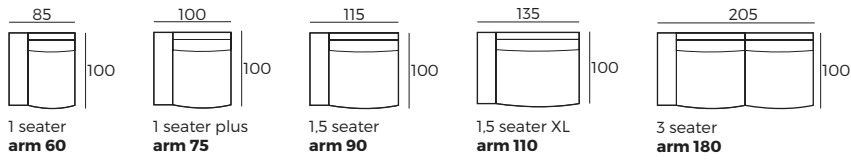
Upholstered furniture is handmade using soft materials, therefore measurements can vary in all modules by up to **+/-2 cm**.
 Modules and combinations shown in 2D drawings are left-sided. Modules and combinations can be mirrored from left to right.

Modules

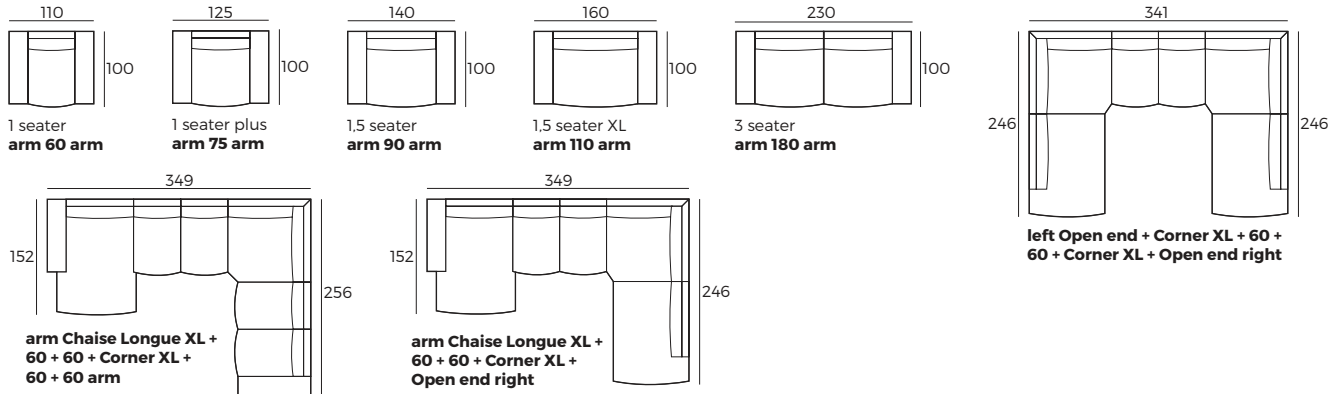
Scale 1:100



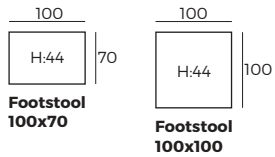
Modules with armrest



Combinations



Accessories



CREEK

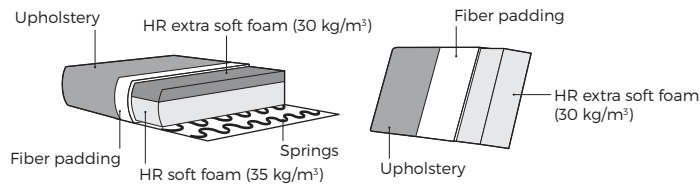


VILMERS

CREEK



Comfort



1. Upholstery

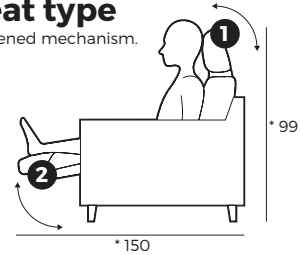


Fabric

2. Headrest & seat type

* Measurements for fully opened mechanism.

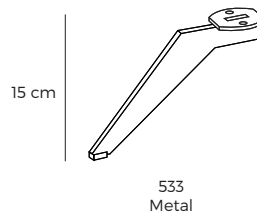
- 1 Manual ↷
- 2 Electrical ↷



3. Multicolour option



4. Legs

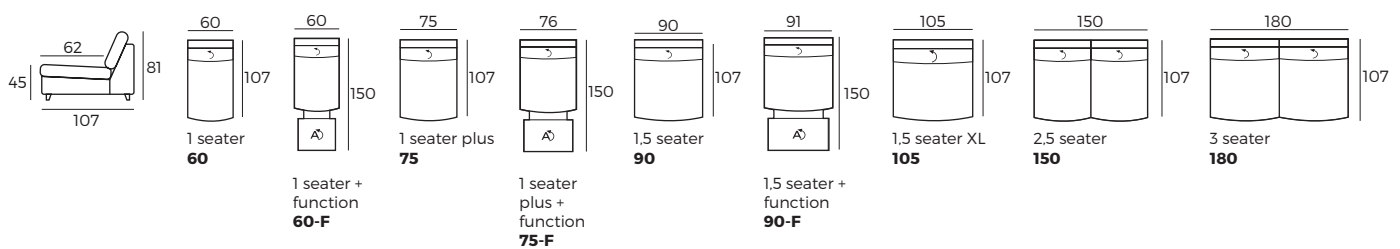


IMPORTANT:

Upholstered furniture is handmade using soft materials, therefore measurements can vary in all modules by up to **+/-2 cm**.
Modules and combinations shown in 2D drawings are left-sided. Modules and combinations can be mirrored from left to right.

Modules

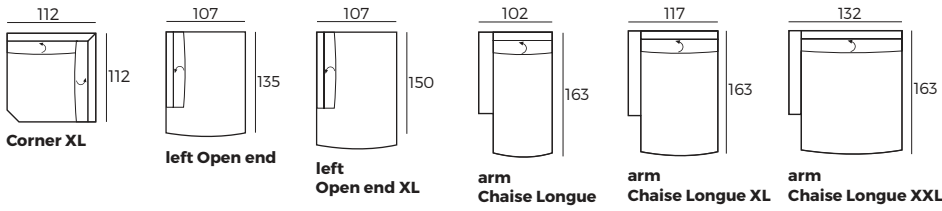
Scale 1:100



CREEK

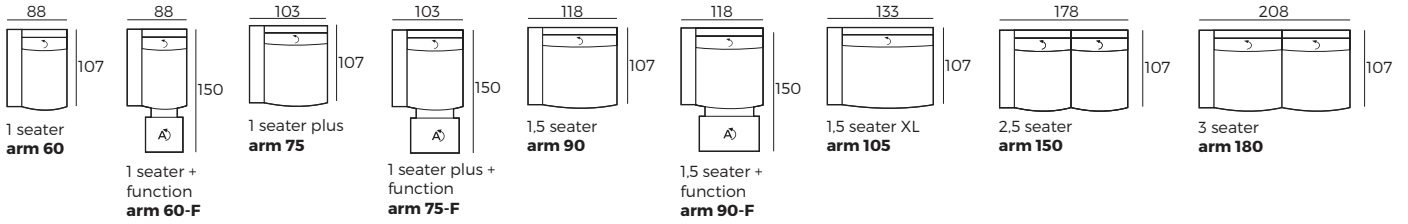
Modules

Scale 1:100

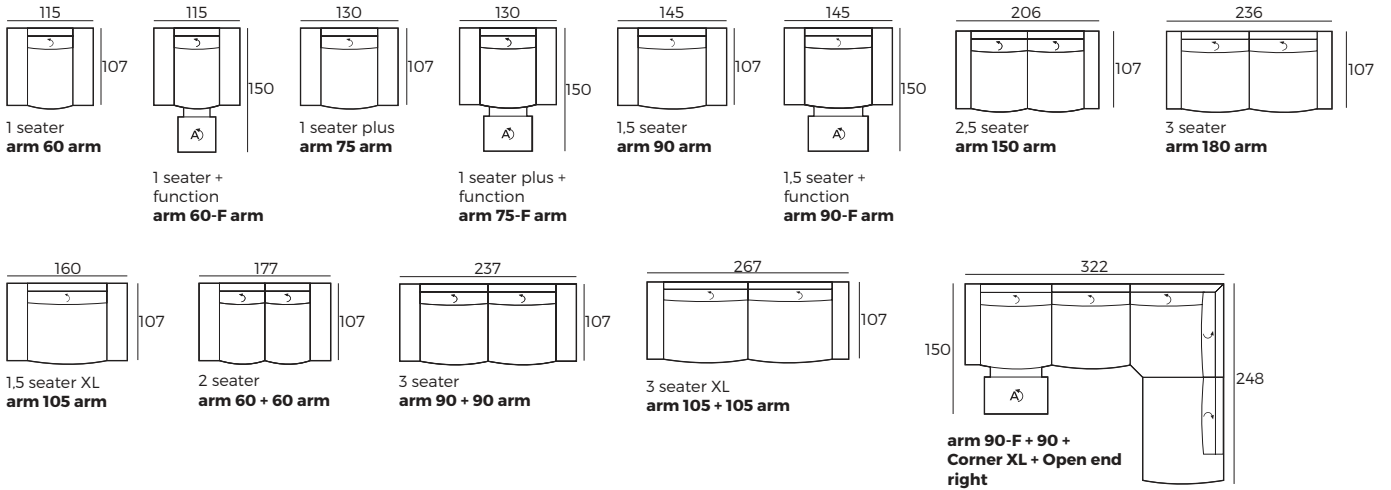


Modules with armrest

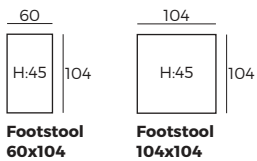
Scale 1:100



Combinations



Accessories



↷ - manual; Ⓐ - electrical; *F - single electric function

CRICKET

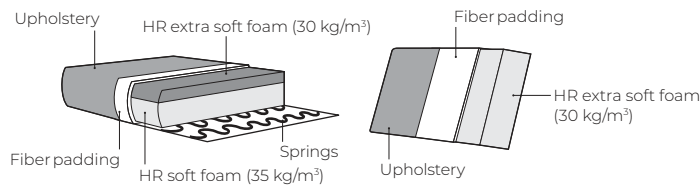


VILMERS

CRICKET



Comfort



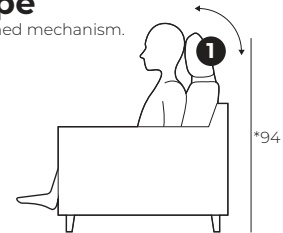
1. Upholstery



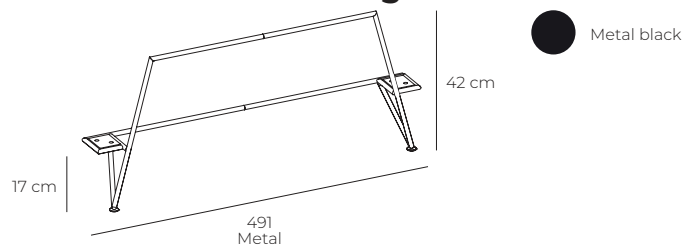
2. Headrest type

* Measurements for fully opened mechanism.

1 Manual ↷



3. Legs

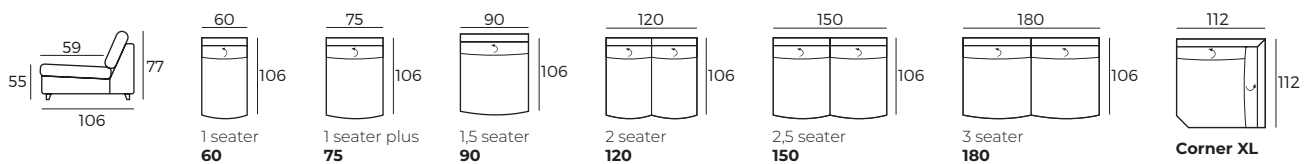


IMPORTANT:

Upholstered furniture is handmade using soft materials therefore measurements may vary up to **+/- 2 cm**.
Modules and combinations shown in 2D drawings are left-sided. Modules and combinations can be mirrored from left to right.

Modules

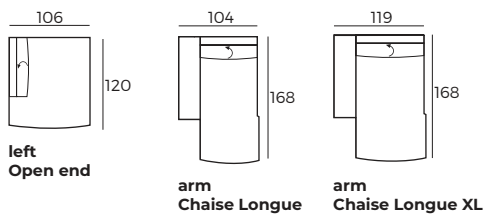
Scale 1:100



CRICKET

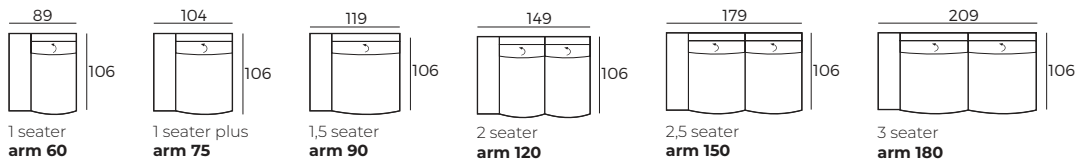
Modules

Scale 1:100

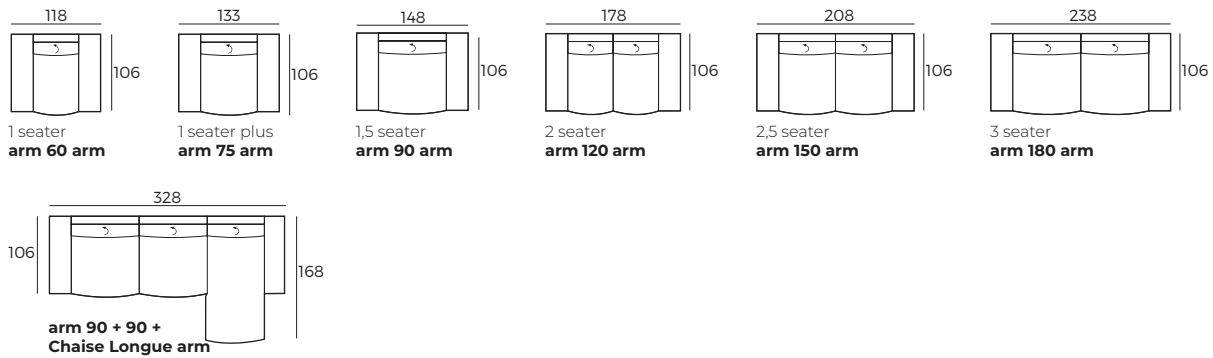


Modules with armrest

Scale 1:100



Combinations



Accessories



Footstool
60x90

↳ - manual;

DAISY

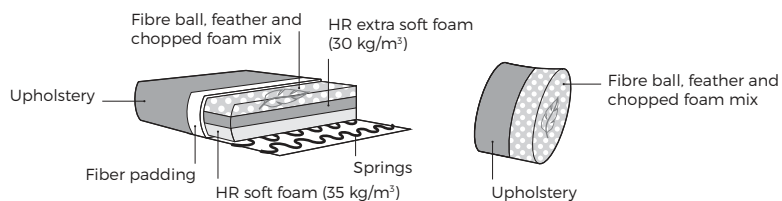


VILMERS

DAISY



Comfort



1. Upholstery



Fabric

2. Multicolour option



3. Legs

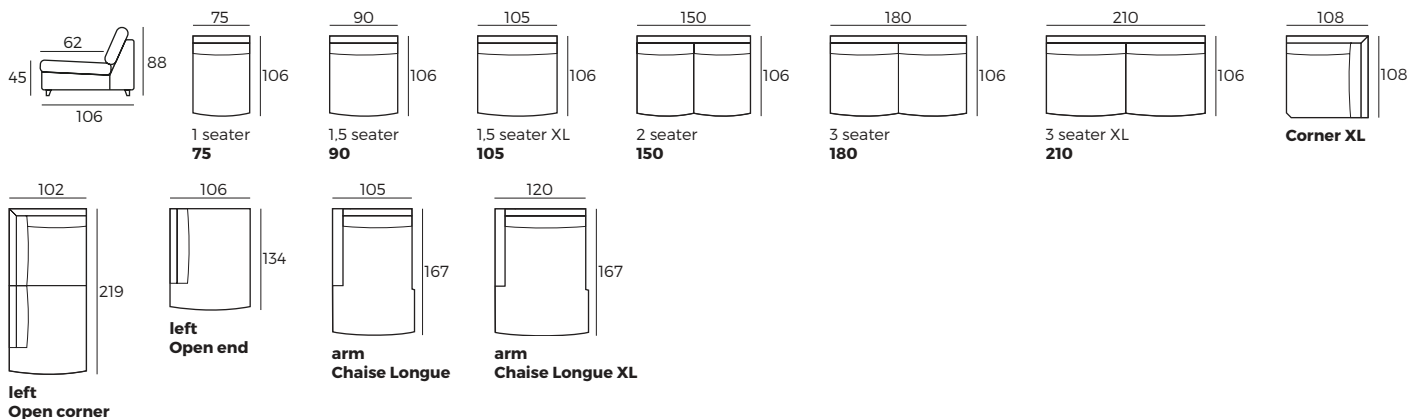


IMPORTANT:

Upholstered furniture is handmade using soft materials therefore measurements may vary up to +/- 2 cm.
Modules and combinations shown in 2D drawings are left-sided. Modules and combinations can be mirrored from left to right.

Modules

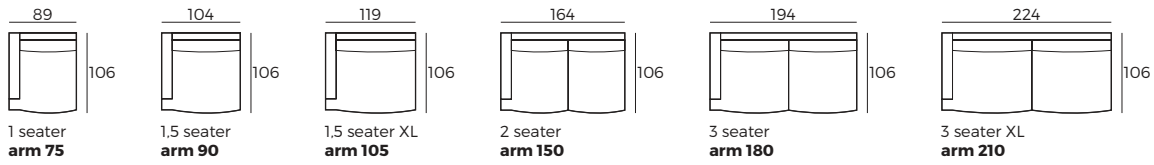
Scale 1:100



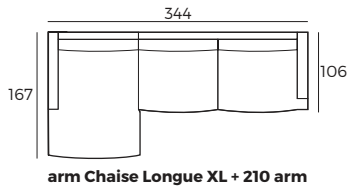
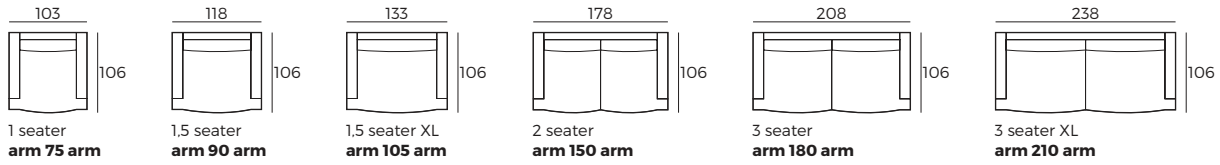
DAISY

Modules with armrest

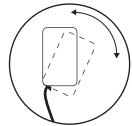
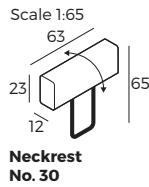
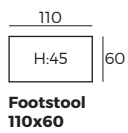
Scale 1:100



Combinations



Accessories



DECADENCE

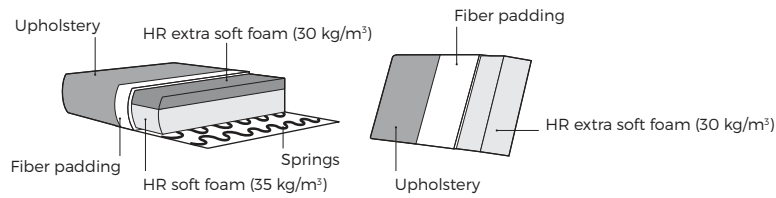


VILMERS

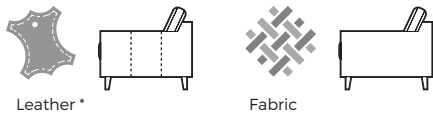
DECADENCE



Comfort



1. Upholstery

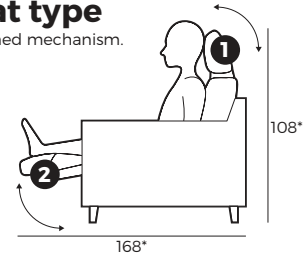


* Leather upholstery may require more stitches than fabric upholstery.

2. Headrest & seat type

* Measurements for fully opened mechanism.

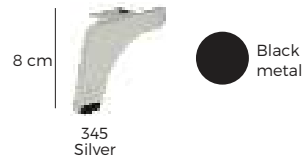
- 1 Manual ↶ / Electrical ↷
- 2 Electrical ↷



3. Multicolour option



4. Legs

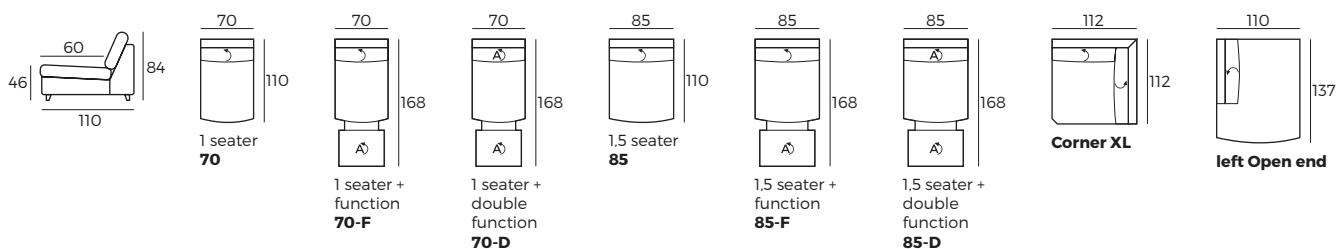


IMPORTANT:

Upholstered furniture is handmade using soft materials, therefore measurements can vary in all modules by up to **+/-2 cm**.
Modules and combinations shown in 2D drawings are left-sided. Modules and combinations can be mirrored from left to right.

Modules

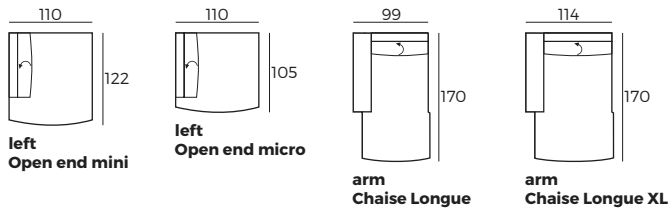
Scale 1:100



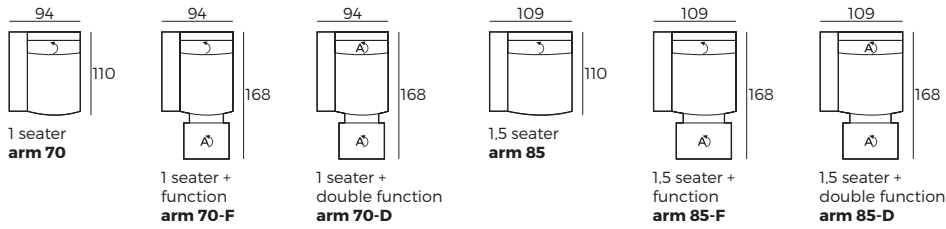
DECADENCE

Scale 1:100

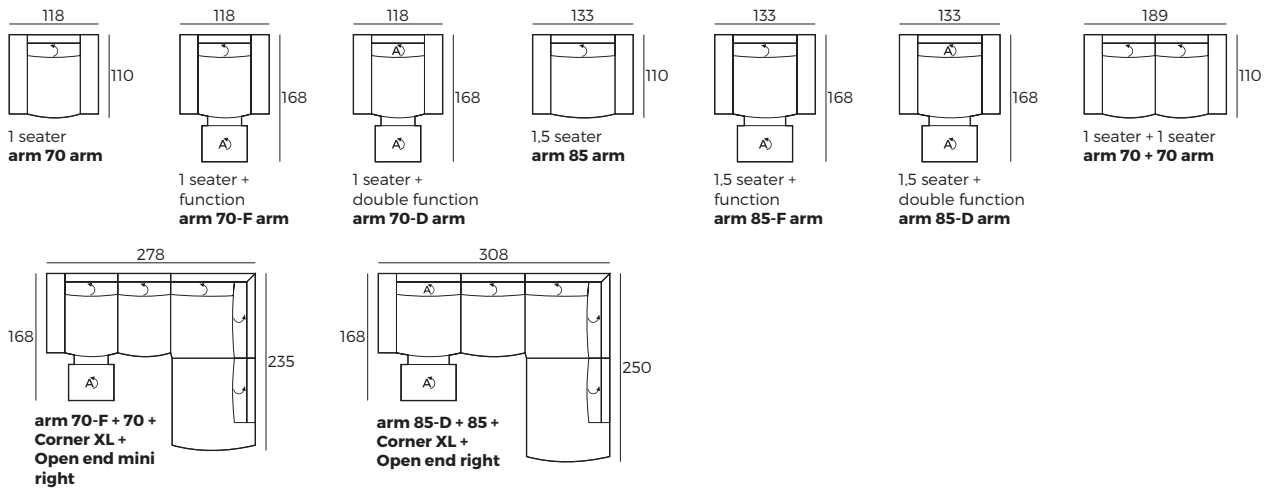
Modules



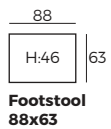
Modules with armrest



Combinations



Accessories



∩ - manual; Ⓐ - electrical *F - single electric function; *D - double electric function

DONAU

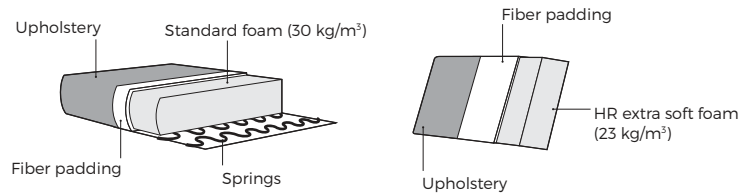


VILMERS

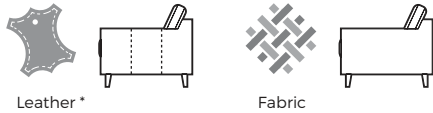
DONAU



Comfort

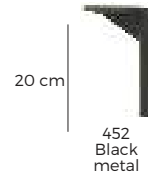


1. Upholstery



* Leather upholstery may require more stitches than fabric upholstery.

2. Legs

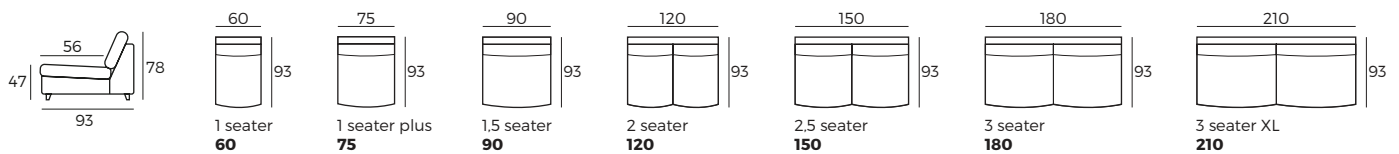


IMPORTANT:

Upholstered furniture is handmade using soft materials, therefore measurements can vary in all modules by up to **+/-2 cm**.
Modules and combinations shown in 2D drawings are left-sided. Modules and combinations can be mirrored from left to right.

Modules

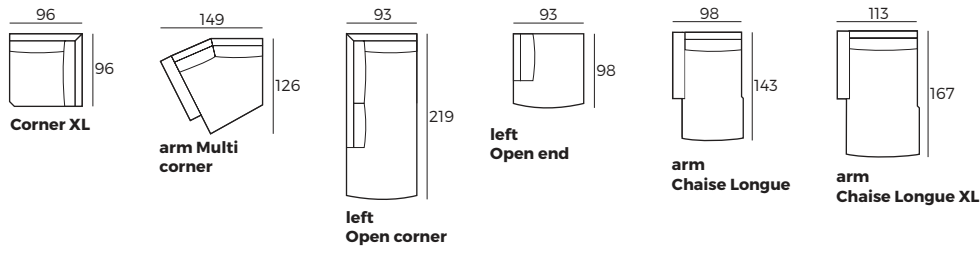
Scale 1:100



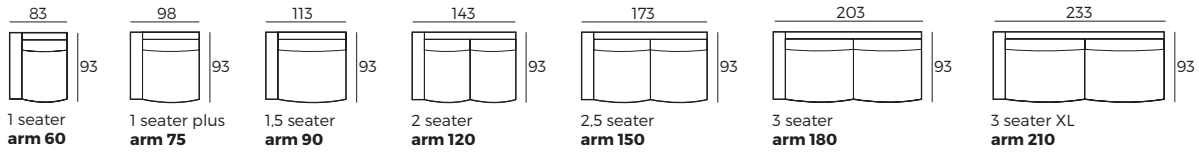
DONAU

Scale 1:100

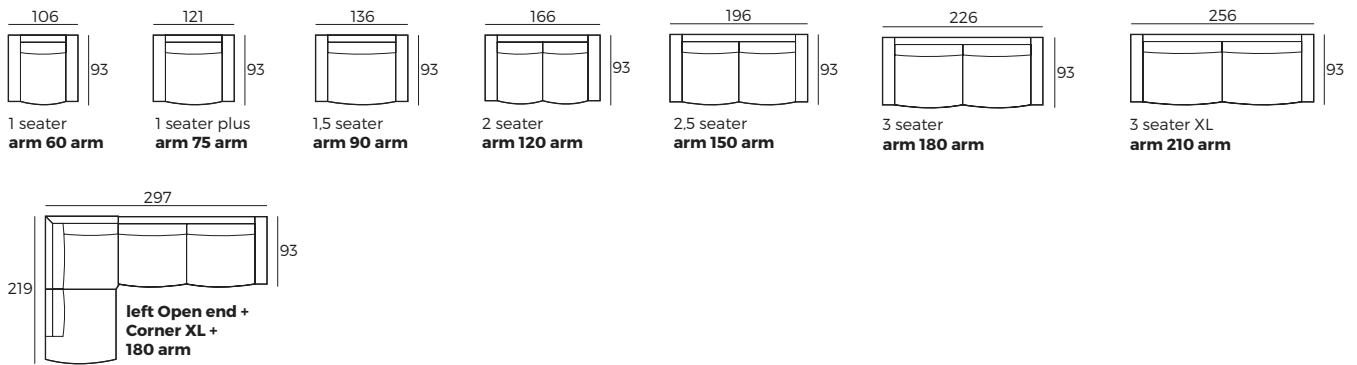
Modules



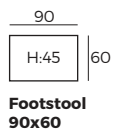
Modules with armrest



Combinations



Accessories



DREAMER

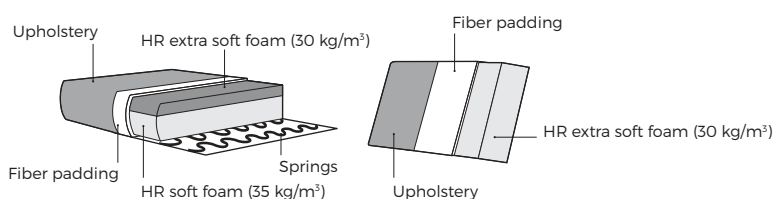


VILMERS

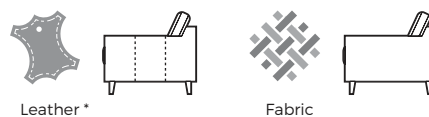
DREAMER



Comfort



1. Upholstery

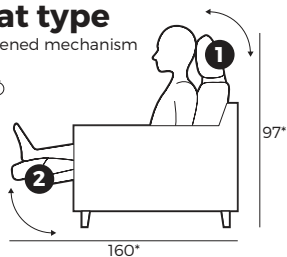


* Leather upholstery may require more stitches than fabric upholstery.

2. Headrest & seat type

*Measurements with fully opened mechanism

- 1 Manual ↶ / Electrical ⏻
- 2 Electrical ⏻



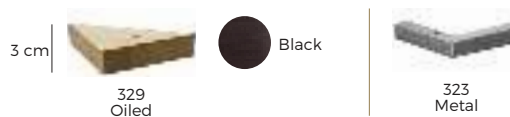
3. Armrests



4. Multicolour option



5. Legs

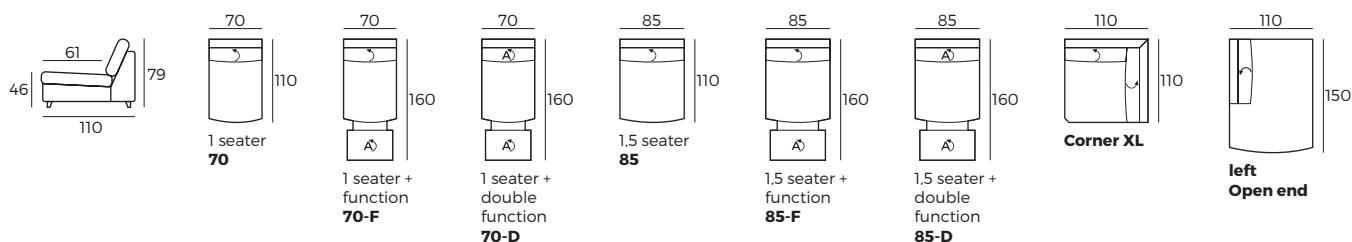


IMPORTANT:

Upholstered furniture is handmade using soft materials, therefore measurements can vary in all modules by up to +/-2 cm. Modules and combinations shown in 2D drawings are left-sided. Modules and combinations can be mirrored from left to right.

Modules (Measurements with GABY armrest)

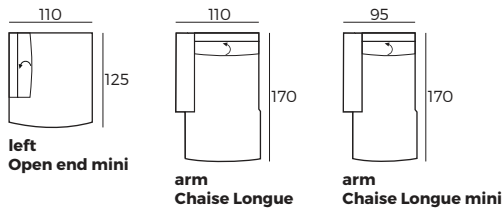
Scale 1:100



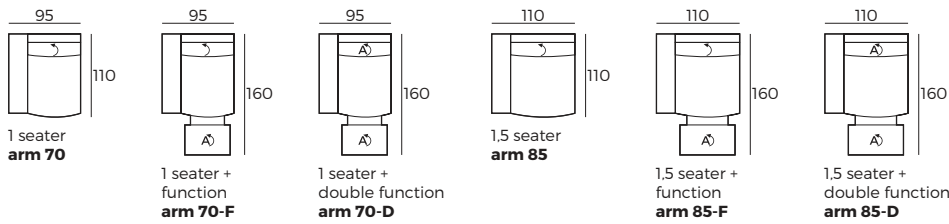
DREAMER

Modules (Measurements with GABY armrest)

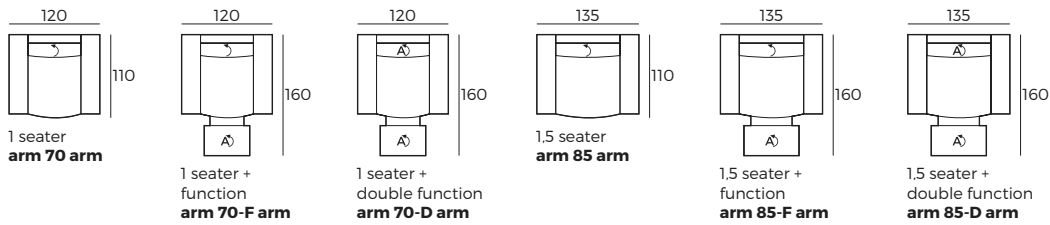
Scale 1:100



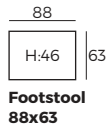
Modules with armrest (Measurements with GABY armrest)



Combinations (Measurements with GABY armrest)



Accessories



› - manual; Ⓐ - electrical; *F - single electric function; *D - double electric function

ELLA

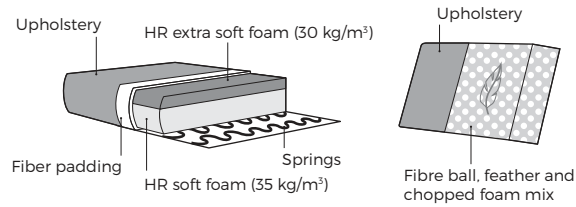


VILMERS

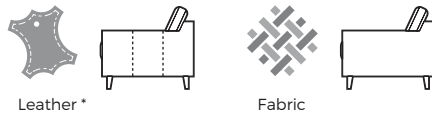
ELLA



Comfort



1. Upholstery



* Leather upholstery may require more stitches than fabric upholstery.

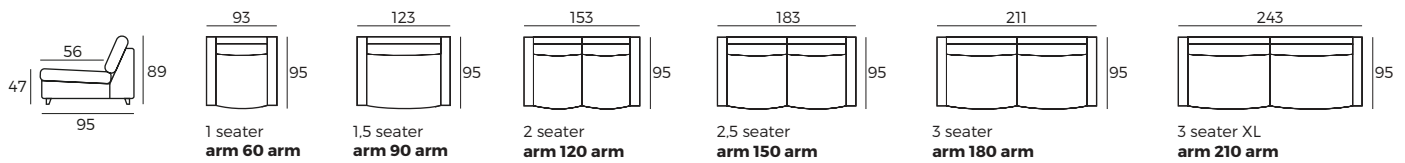
2. Legs



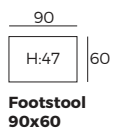
IMPORTANT:

Upholstered furniture is handmade using soft materials, therefore measurements can vary in all modules by up to **+/-2 cm**.

Combinations



Accessories



FELTON SLIM

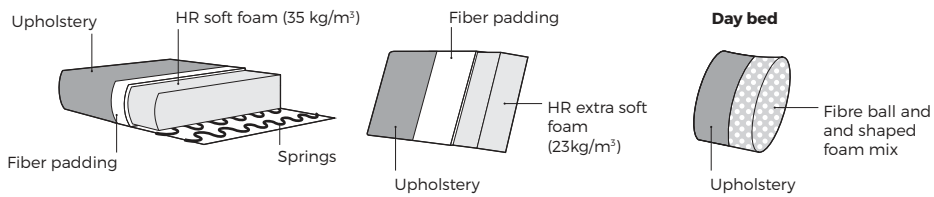


VILMERS

FELTON SLIM



Comfort



1. Upholstery



2. Legs

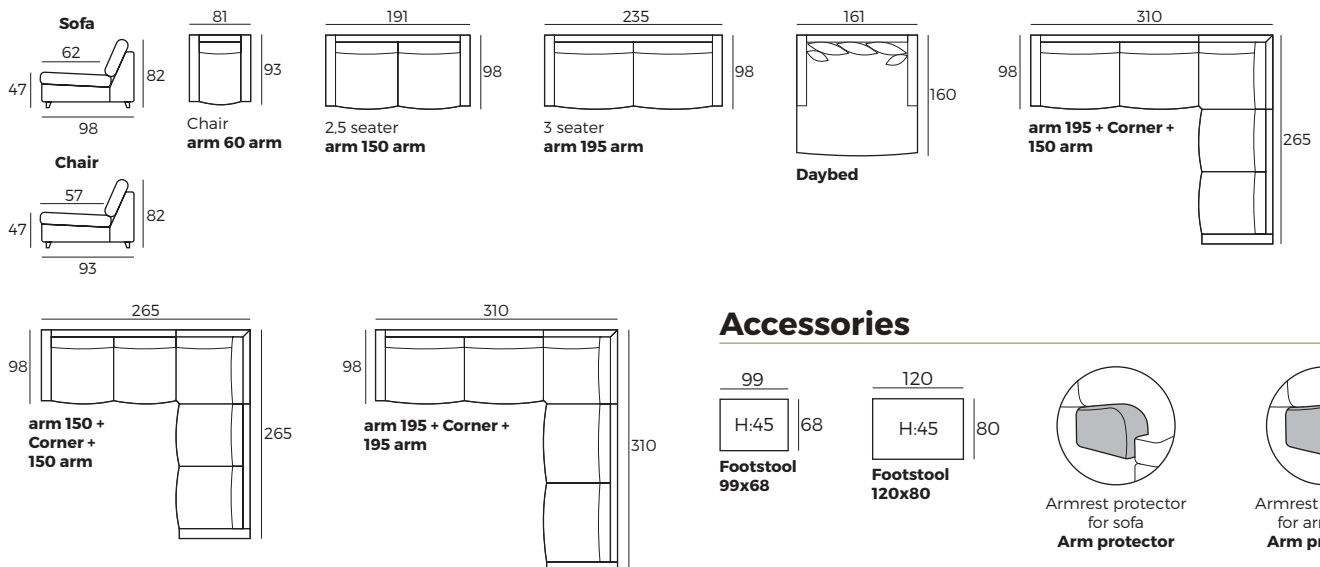


IMPORTANT:

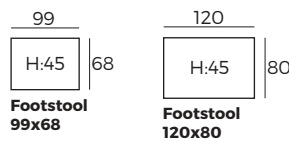
Upholstered furniture is handmade using soft materials, therefore measurements can vary in all modules by up to **+/-2 cm**.
Modules and combinations shown in 2D drawings are left-sided. Modules and combinations can be mirrored from left to right.

Combinations

Scale 1:100



Accessories



FERN

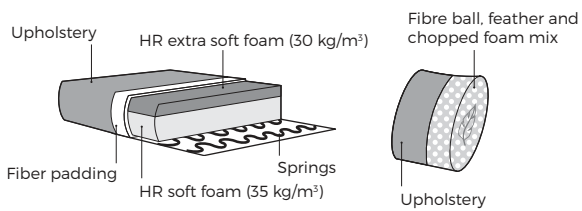


VILMERS

FERN



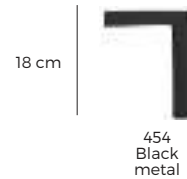
Comfort



1. Upholstery



2. Legs

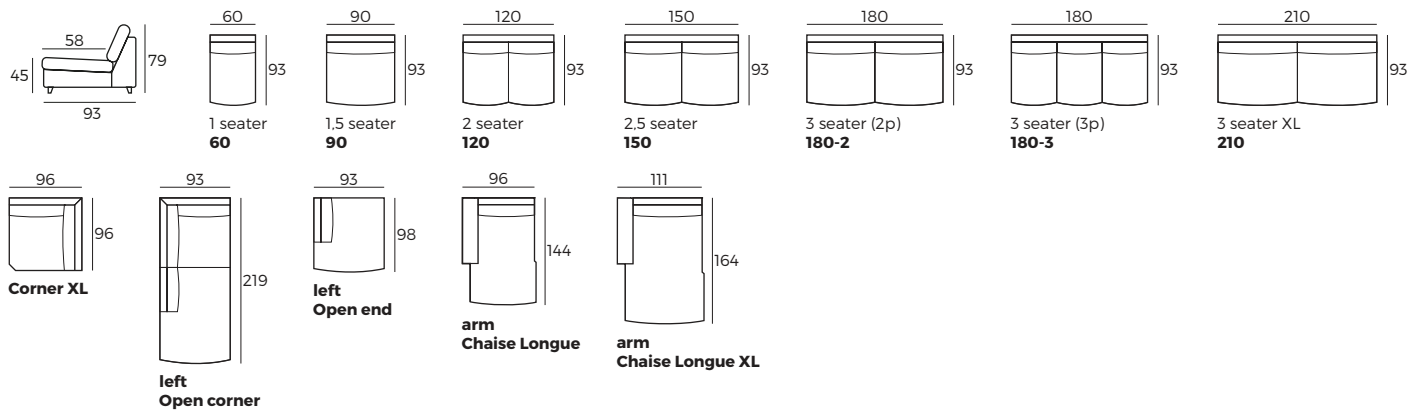


IMPORTANT:

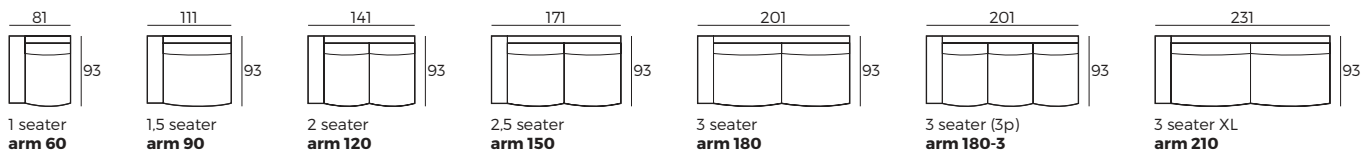
Upholstered furniture is handmade using soft materials, therefore measurements can vary in all modules by up to **+/-2 cm**.
 Modules and combinations shown in 2D drawings are left-sided. Modules and combinations can be mirrored from left to right.
 For an additional fee, the sides of each seater module can be covered in fabric.

Modules

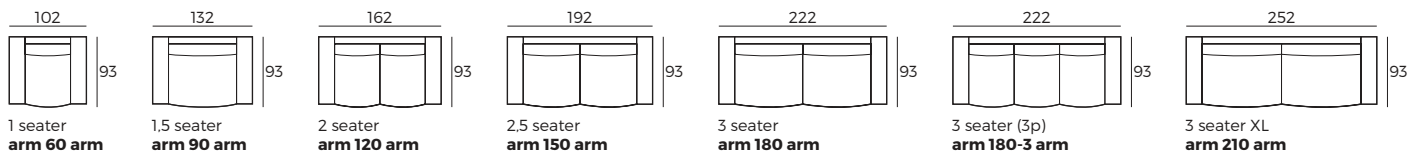
Scale 1:100



Modules with armrest



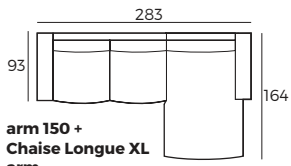
Combination



FERN

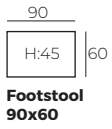
Combination

Scale 1:100



Accessories

Scale 1:100



FIELD

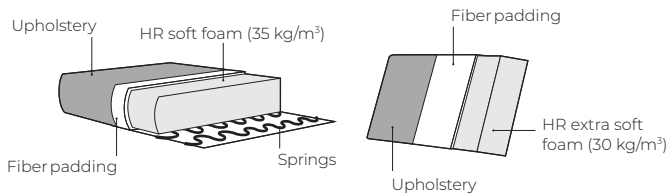


VILMERS

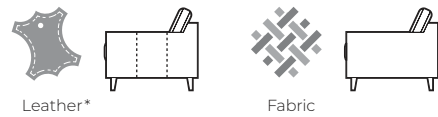
FIELD



Comfort



1. Upholstery



* Leather upholstery may require more stitches than fabric upholstery.

2. Armrests



W 3 x D 96 x H 65

W 17 x D 96 x H 60

W 21 x D 96 x H 59

W 22 x D 96 x H 66

W 29 x D 96 x H 56

W 31 x D 96 x H 57

3. Legs



615
247*
Oiled
For: **OMEGA**

617
391*
Oiled
For: **POLO,
BENTO,
COMO**

614
400*
Oiled
For: **GUSTA**

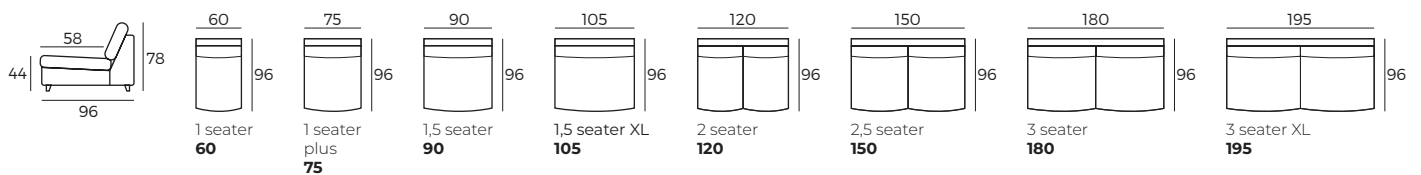
613
398*
Oiled
For: **GRANDE**

IMPORTANT:

Upholstered furniture is handmade using soft materials, therefore measurements can vary in all modules by up to **+/- 2 cm**.
Modules and combinations shown in 2D drawings are left-sided. Modules and combinations can be mirrored from left to right.
For an additional fee, the sides of each seater module can be covered in fabric.

Modules (Measurements with GRANDE armrest)

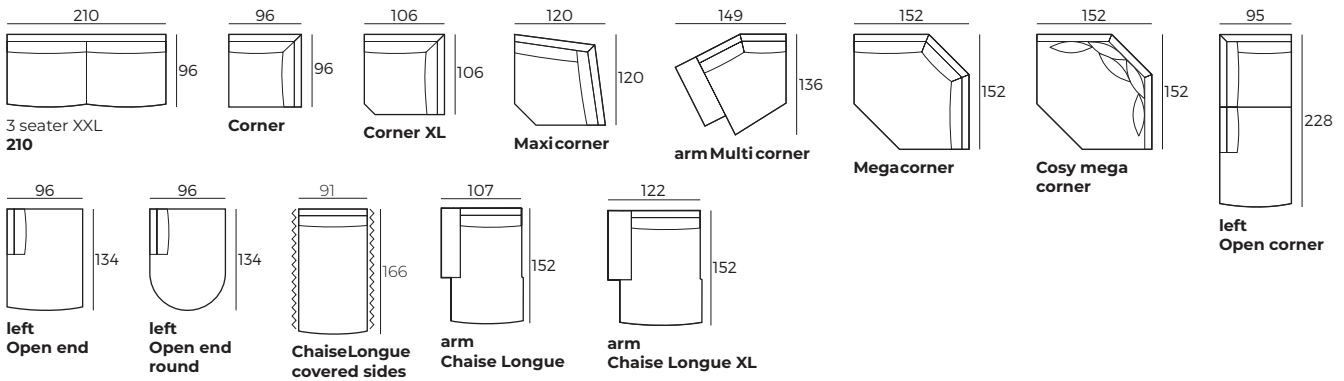
Scale 1:100



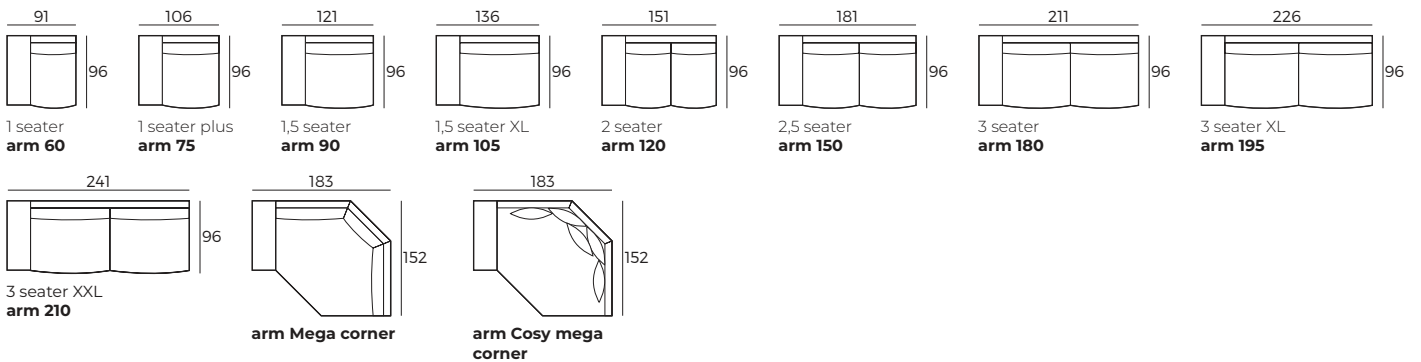
FIELD

Modules (Measurements with GRANDE armrest)

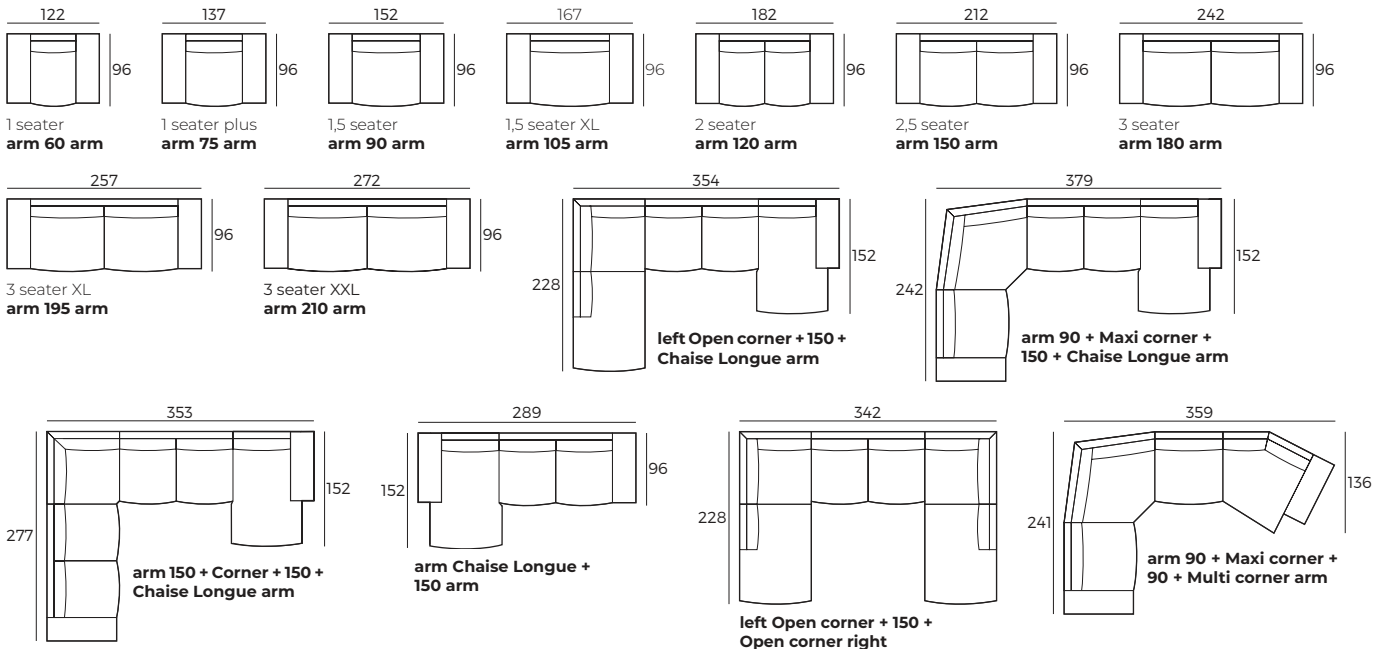
Scale 1:100



Modules with armrest (Measurements with GRANDE armrest)



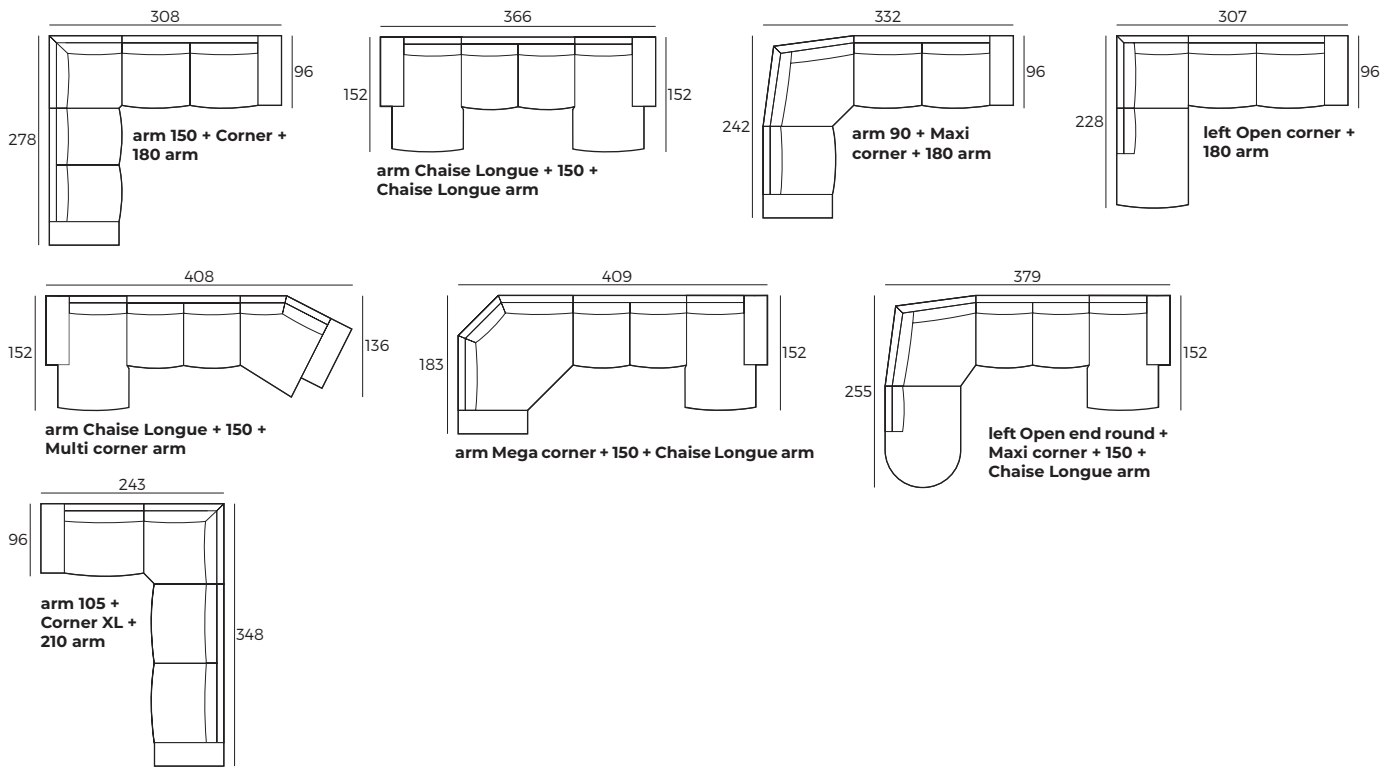
Combinations (Measurements with GRANDE armrest)



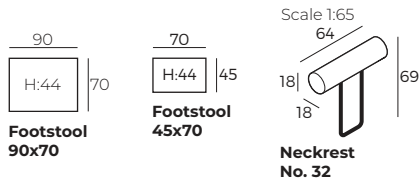
FIELD

Combinations (Measurements with GRANDE armrest)

Scale 1:100



Accessories

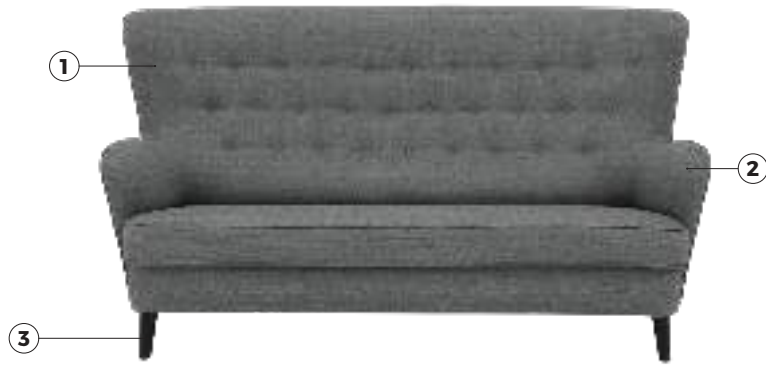


FIFTIES

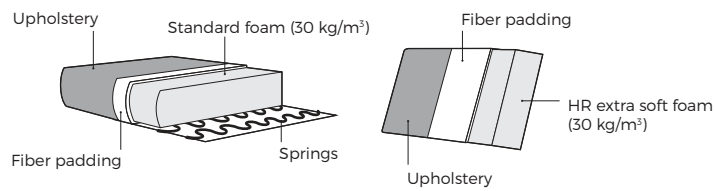


VILMERS

FIFTIES



Comfort



1. Upholstery



Fabric

2. Multicolour option



3. Legs

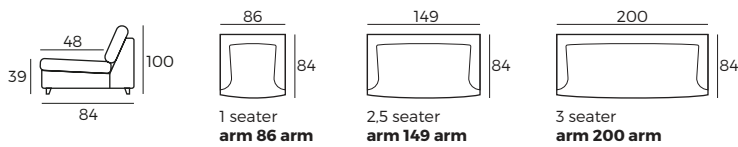


IMPORTANT:

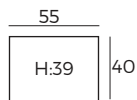
Upholstered furniture is handmade using soft materials, therefore measurements can vary in all modules by up to **+/-2cm**.

Combinations

Scale 1:100



Accessories



Footstool
55x40

FLORIDA

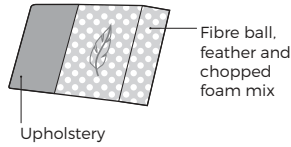
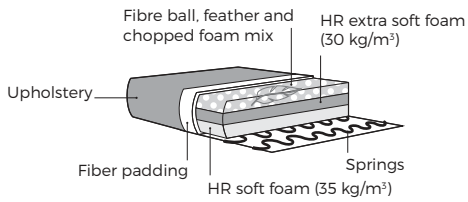


VILMERS

FLORIDA



Comfort



1. Upholstery



Fabric

2. Legs

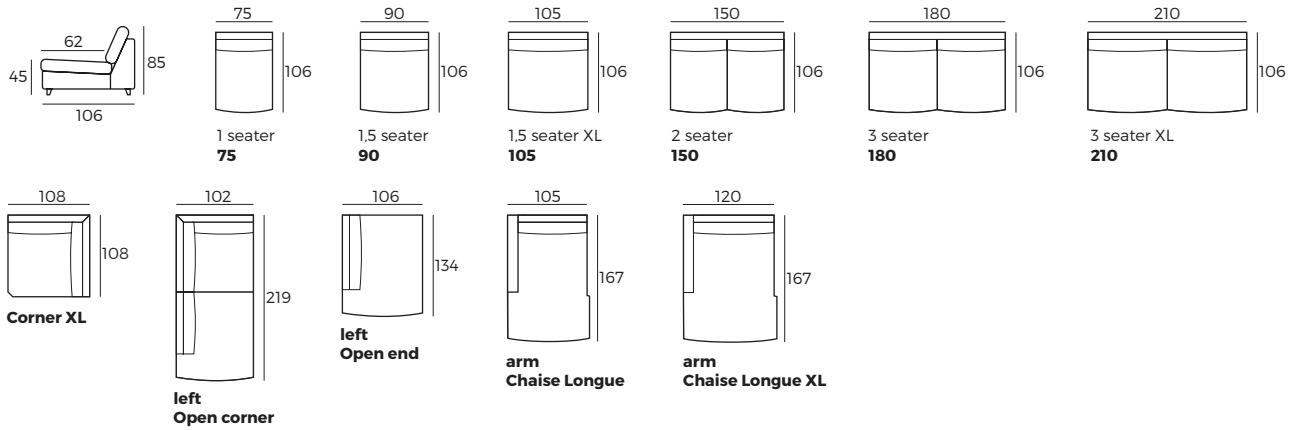


IMPORTANT:

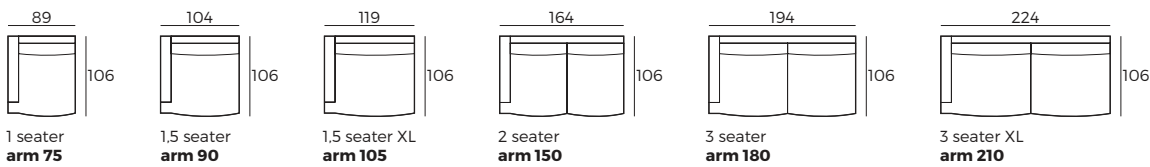
Upholstered furniture is handmade using soft materials, therefore measurements can vary in all modules by up to ± 2 cm. Modules and combinations shown in 2D drawings are left-sided. Modules and combinations can be mirrored from left to right.

Modules

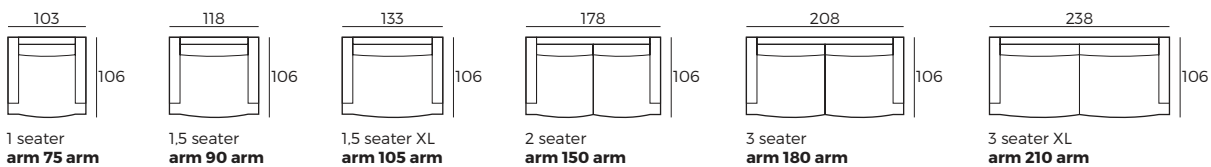
Scale 1:100



Modules with armrest



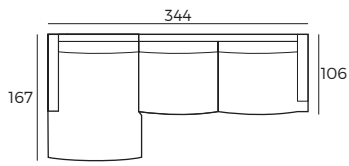
Combinations



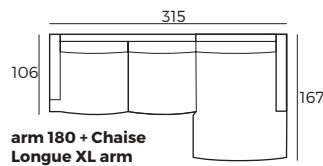
FLORIDA

Combinations

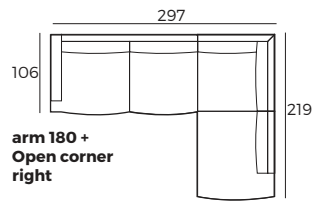
Scale 1:100



arm Chaise Longue XL + 210 arm

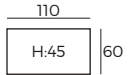


arm 180 + Chaise
Longue XL arm



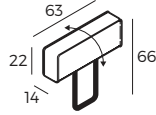
arm 180 +
Open corner
right

Accessories

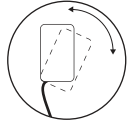


Footstool
110x60

Scale 1:65



Neckrest No. 35

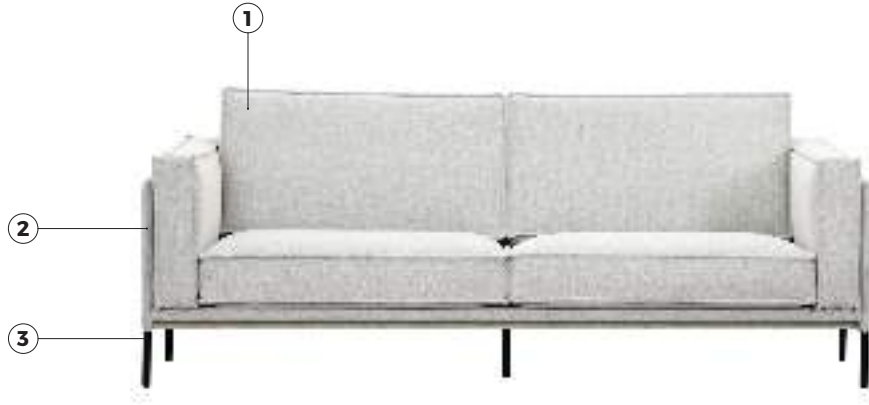


FOLKLAND

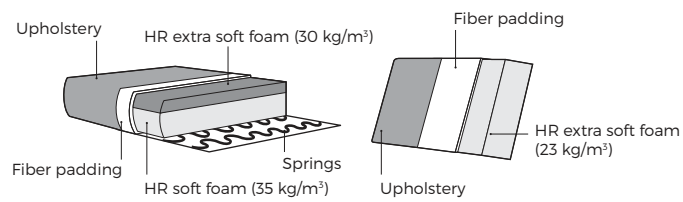


VILMERS

FOLKLAND



Comfort



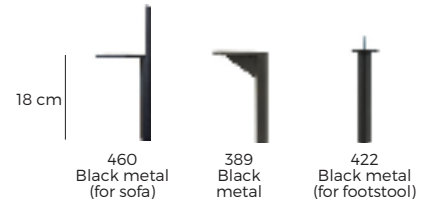
1. Upholstery



2. Multicolour option



3. Legs



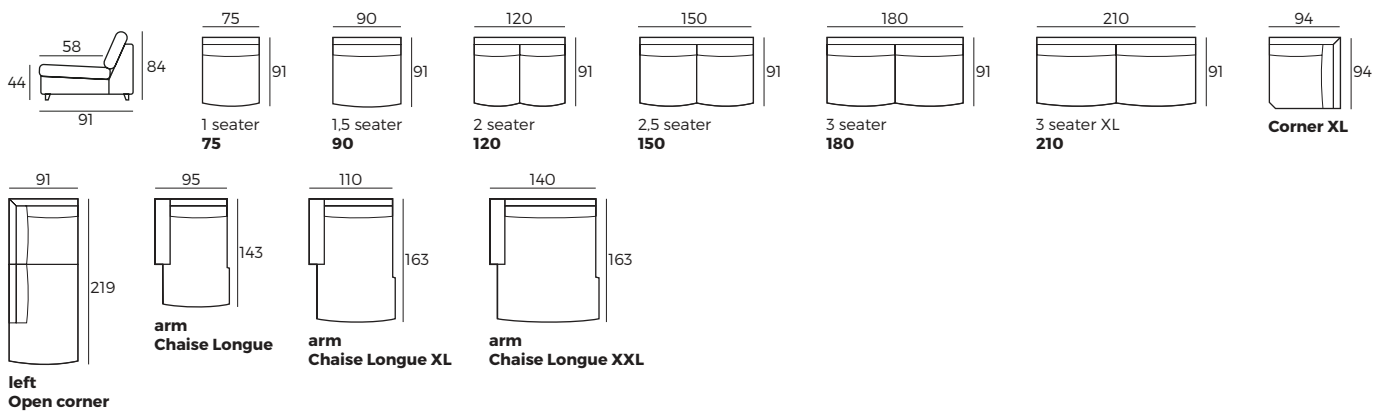
*422 leg is for a footstool, when ordering together with a sofa featuring legs 460.

IMPORTANT:

Upholstered furniture is handmade using soft materials, therefore measurements can vary in all modules by up to **+/-2 cm**.
Modules and combinations shown in 2D drawings are left-sided. Modules and combinations can be mirrored from left to right.

Modules

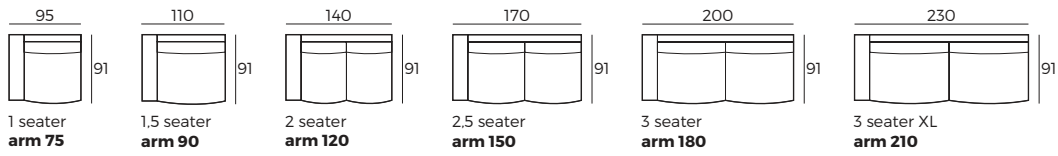
Scale 1:100



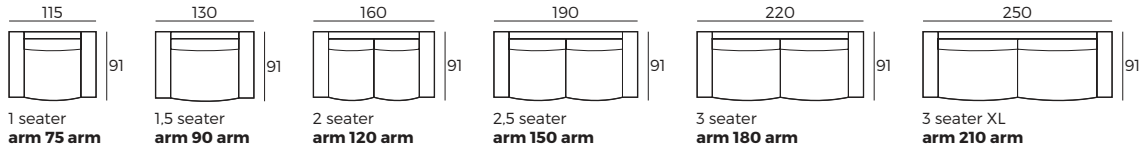
FOLKLAND

Modules with armrest

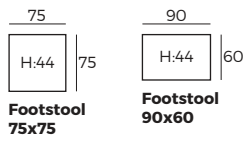
Scale 1:100



Combinations



Accessories



GERONIMO

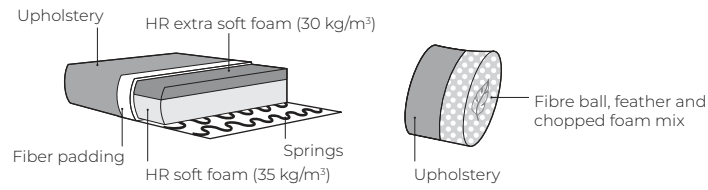


VILMERS

GERONIMO



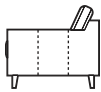
Comfort



1. Upholstery



Leather *



Fabric

* Leather upholstery may require more stitches than fabric upholstery.

2. Choose design



With piping



With details

3. Multicolour option



4. Legs

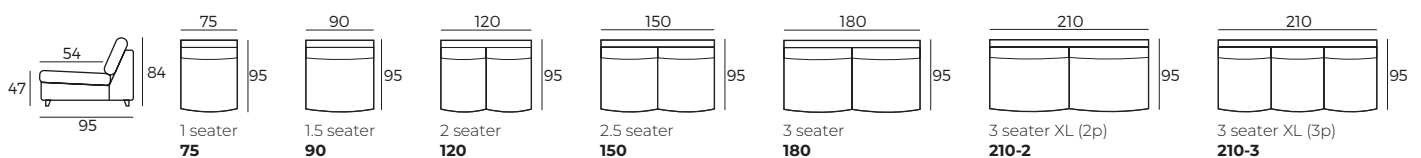


IMPORTANT:

Upholstered furniture is handmade using soft materials, therefore measurements can vary in all modules by up to **+/-2 cm**.
Modules and combinations shown in 2D drawings are left-sided. Modules and combinations can be mirrored from left to right.

Modules

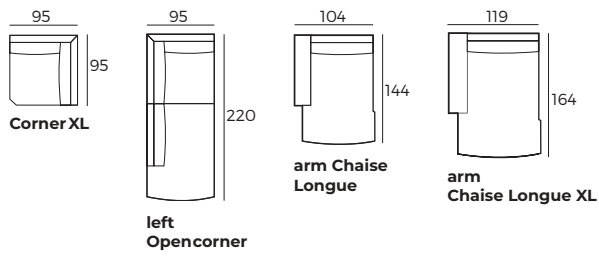
Scale 1:100



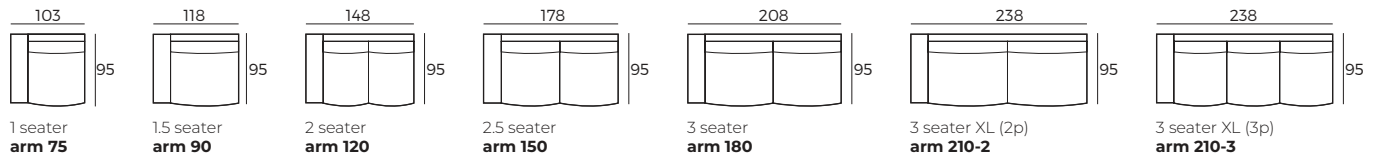
GERONIMO

Modules

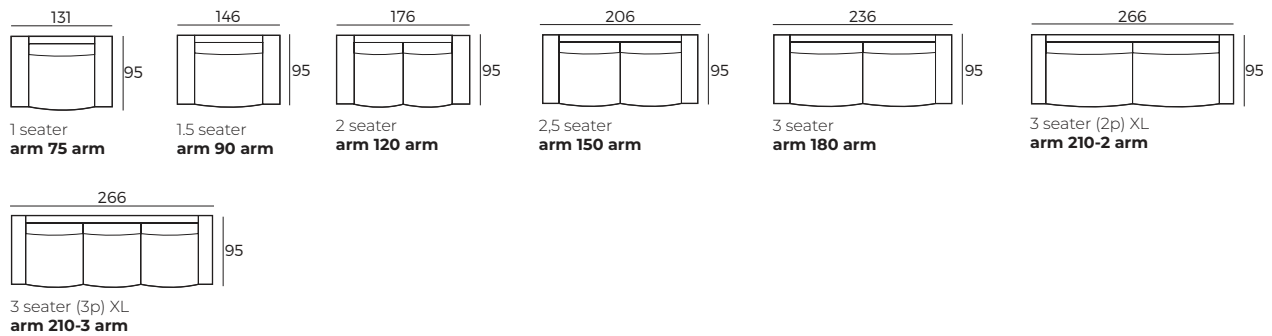
Scale 1:100



Modules with armrest

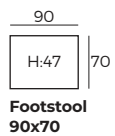


Combinations



Accessories

Scale 1:100



GOYA

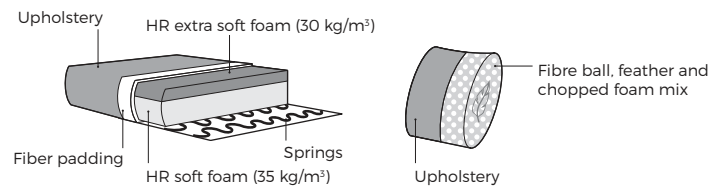


VILMERS

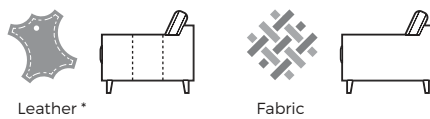
GOYA



Comfort

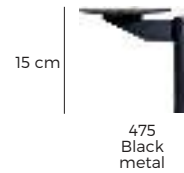


1. Upholstery



* Leather upholstery may require more stitches than fabric upholstery.

2. Legs

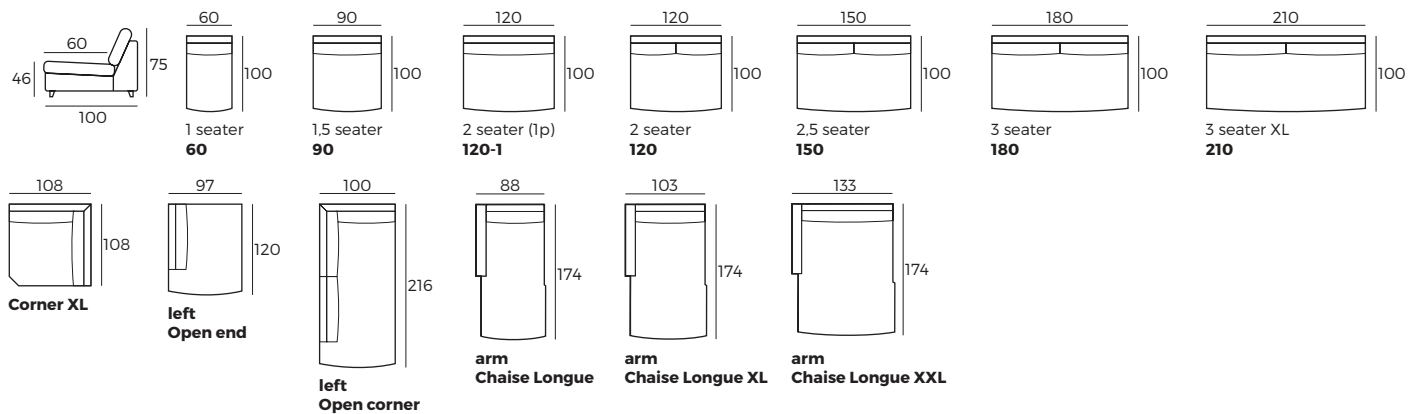


IMPORTANT:

Upholstered furniture is handmade using soft materials, therefore measurements can vary in all modules by up to **+/-2 cm**.
Parts and sets shown in 2D drawings are left-sided. Parts and sets can be mirrored from left to right.

Modules

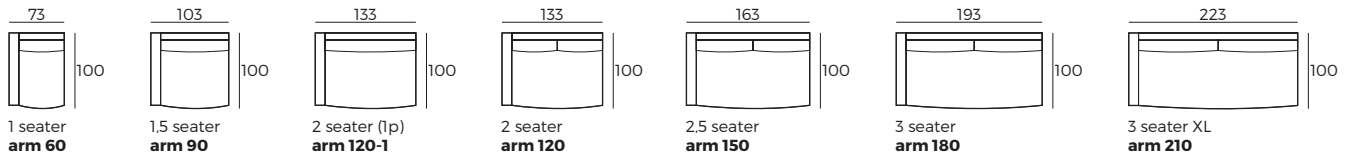
Scale 1:100



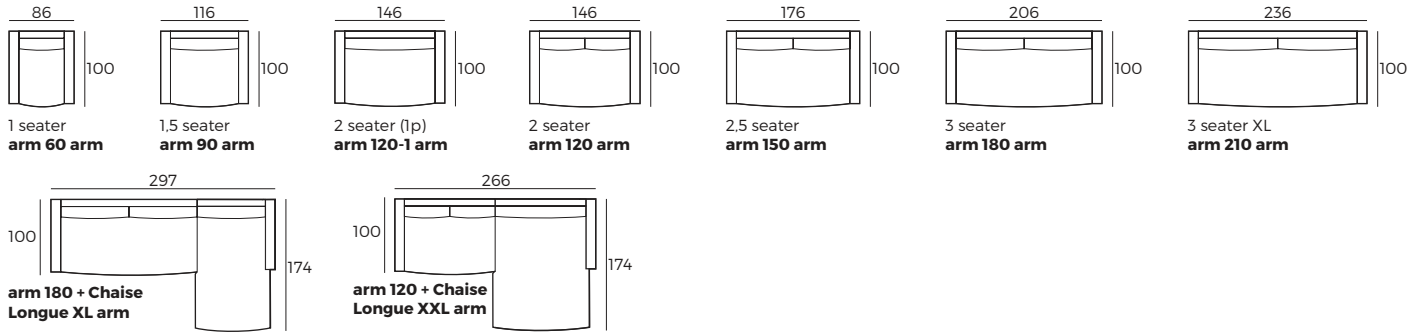
GOYA

Modules with armrest

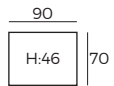
Scale 1:100



Combinations



Accessories



Footstool
90x70

GÖTEBORG

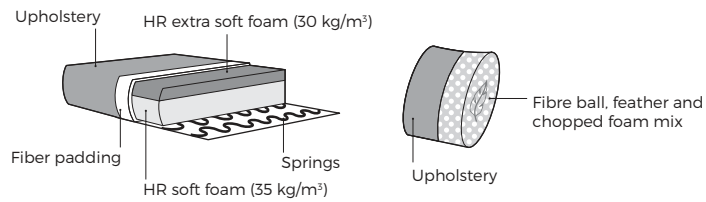


VILMERS

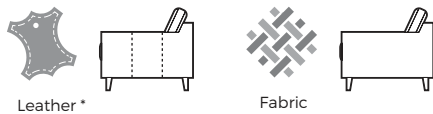
GÖTEBORG



Comfort



1. Upholstery

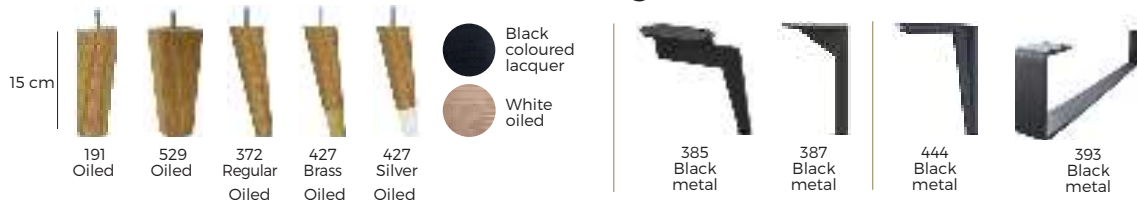


* Leather upholstery may require more stitches than fabric upholstery.

2. Choose cushions



3. Legs

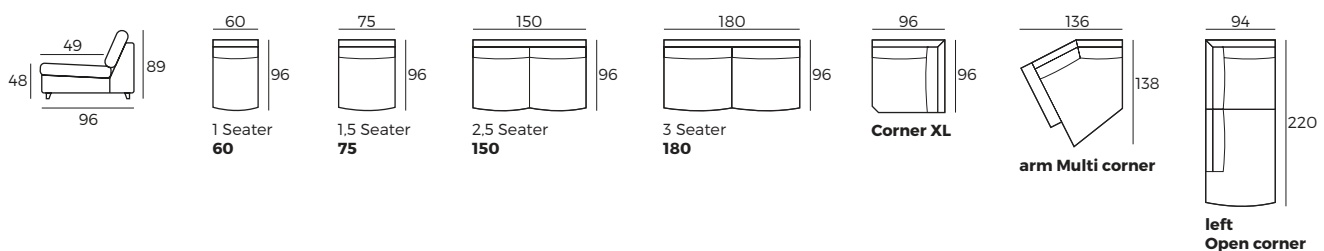


IMPORTANT:

Upholstered furniture is handmade using soft materials, therefore measurements can vary in all modules by up to **+/-2 cm**.
Modules and combinations shown in 2D drawings are left-sided. Modules and combinations can be mirrored from left to right.

Modules

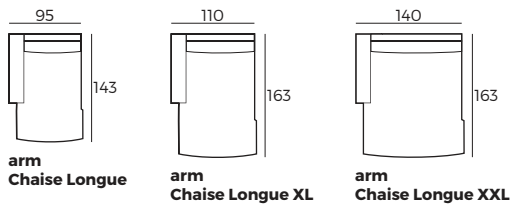
Scale 1:100



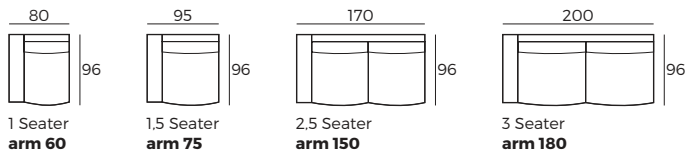
GÖTEBORG

Modules

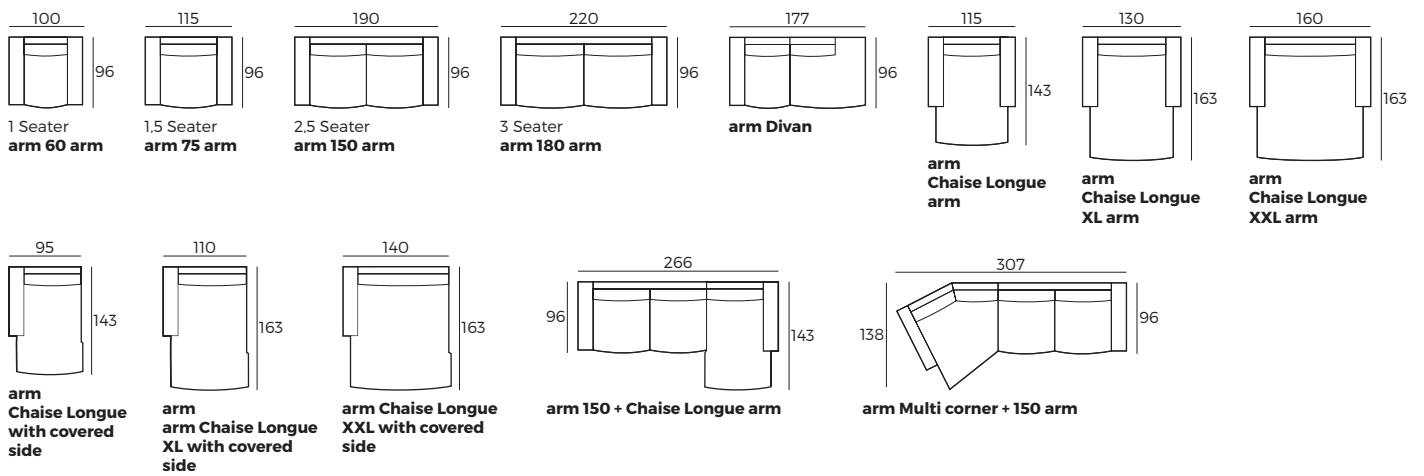
Scale 1:100



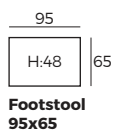
Modules with armrest



Combinations



Accessories



HAMMINGTON

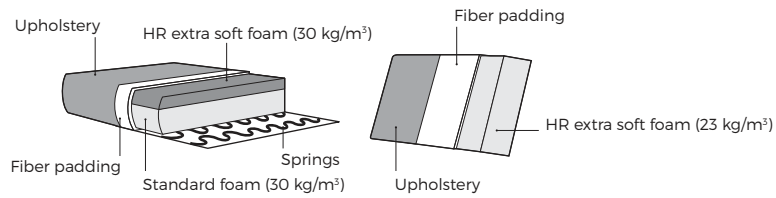


VILMERS

HAMMINGTON



Comfort



1. Upholstery

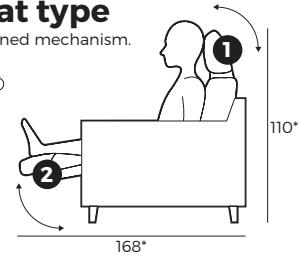


* Leather upholstery may require more stitches than fabric upholstery.

2. Headrest & seat type

* Measurements for fully opened mechanism.

- ① Manual ↶ / Electrical Ⓐ
- ② Electrical Ⓐ



3. Armrest function



Fully closed W 11 x D 98 x H 66
Fully opened W 23 x D 98 x H 51

4. Multicolour option



5. Legs

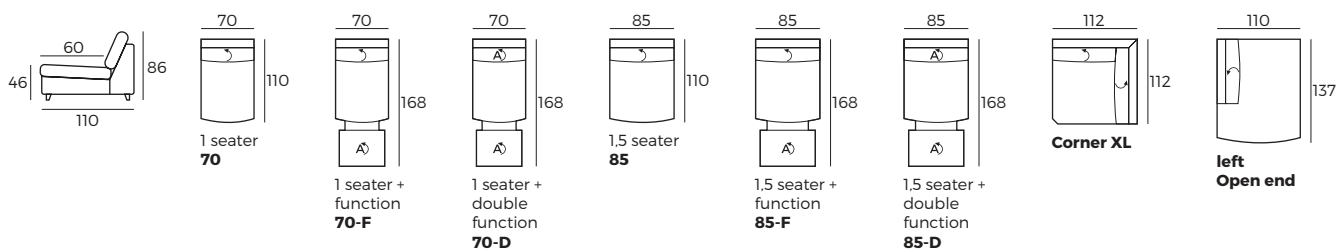


IMPORTANT:

Upholstered furniture is handmade using soft materials, therefore measurements can vary in all modules by up to **+/-2 cm**.
 Modules and combinations shown in 2D drawings are left-sided. Modules and combinations can be mirrored from left to right.

Modules (Measurements with fully opened armrest)

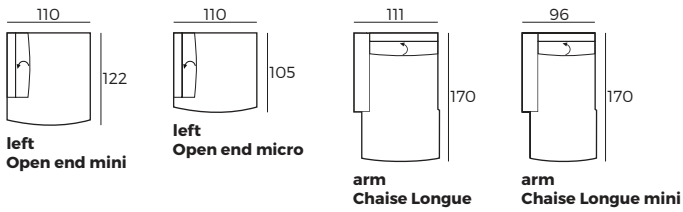
Scale 1:100



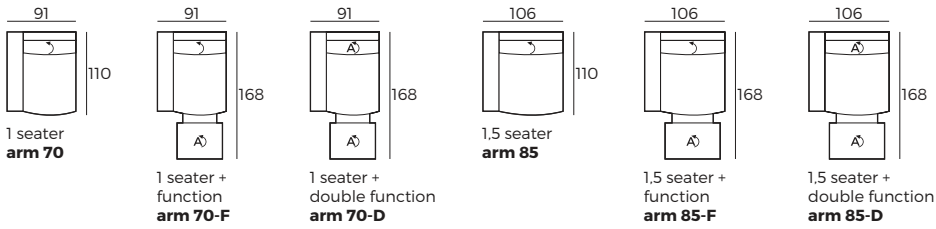
HAMMINGTON

Modules (Measurements with fully opened armrest)

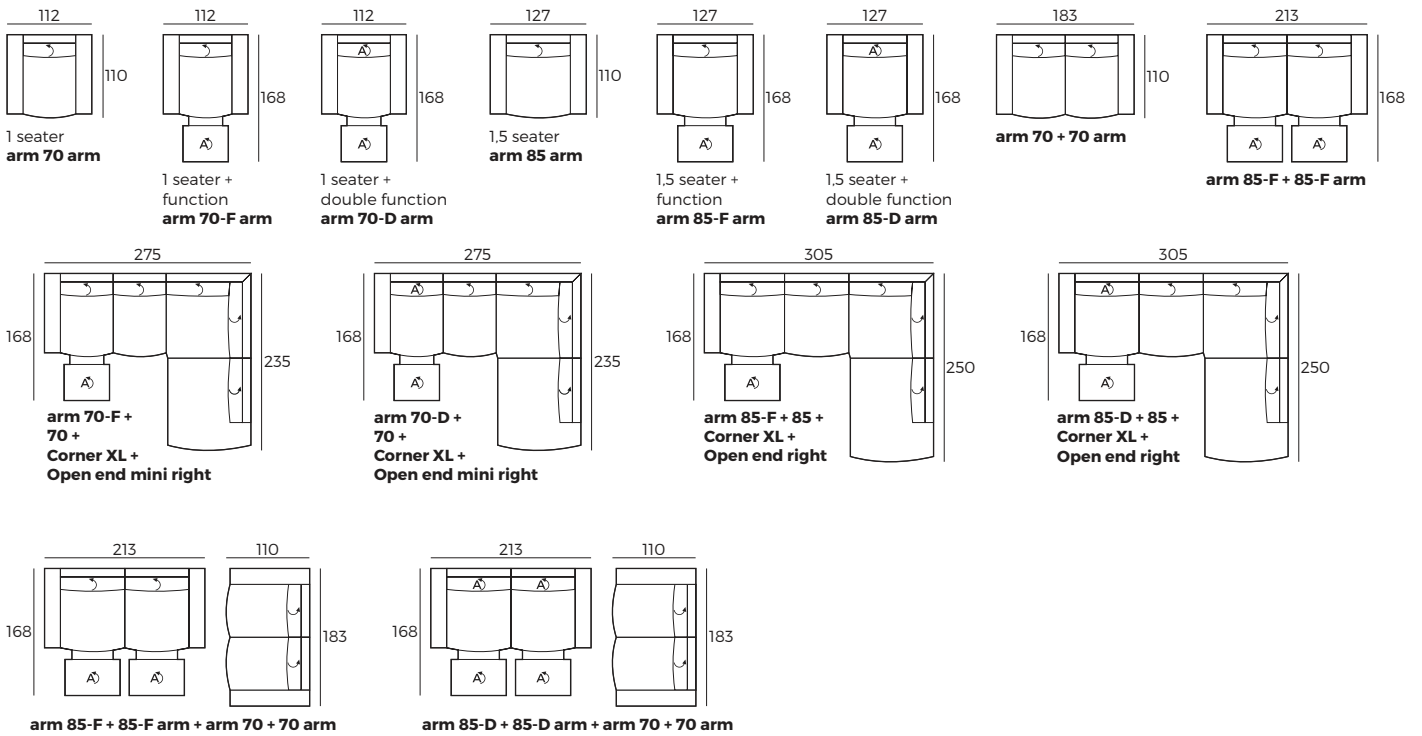
Scale 1:100



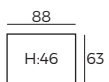
Modules with armrest (Measurements with fully opened armrest)



Combinations (Measurements with fully opened armrest)



Accessories



Footstool
88x63

⤴ - manual; Ⓐ - electrical *F - single electric function; *D - double electric function

HANNA

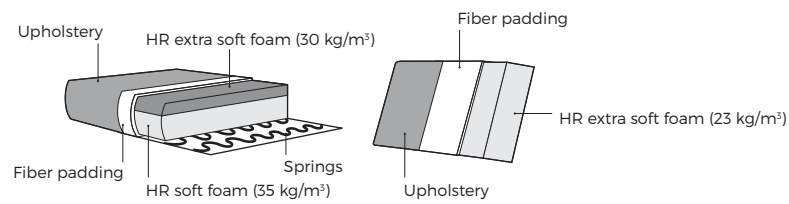


VILMERS

HANNA



Comfort



1. Upholstery



2. Legs

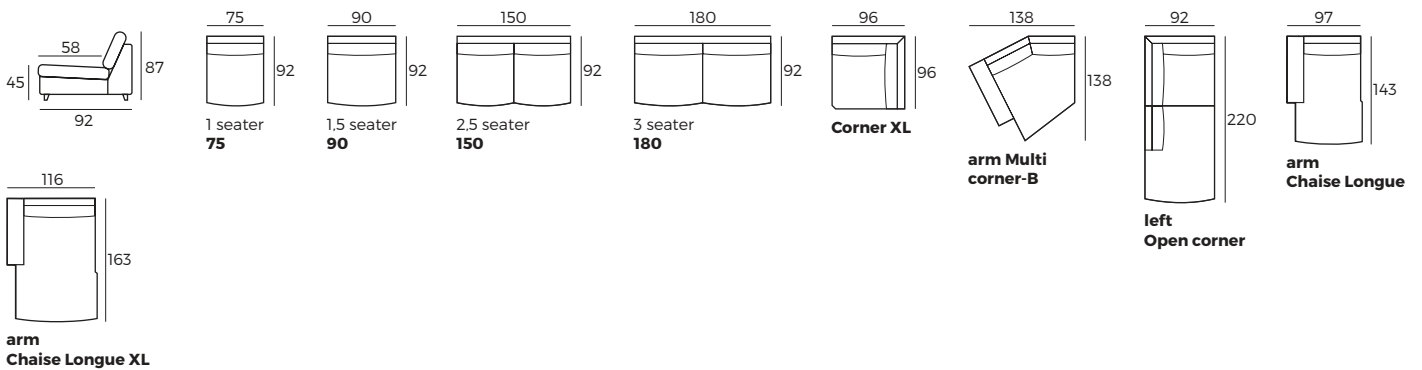


IMPORTANT:

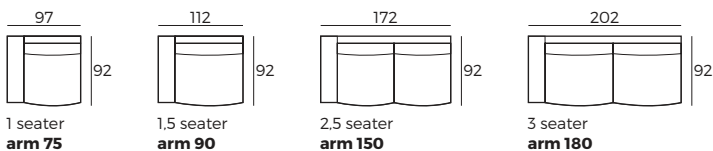
Upholstered furniture is handmade using soft materials, therefore measurements can vary in all modules by up to **+/-2 cm**.
Modules and combinations shown in 2D drawings are left-sided. Modules and combinations can be mirrored from left to right.

Modules

Scale 1:100



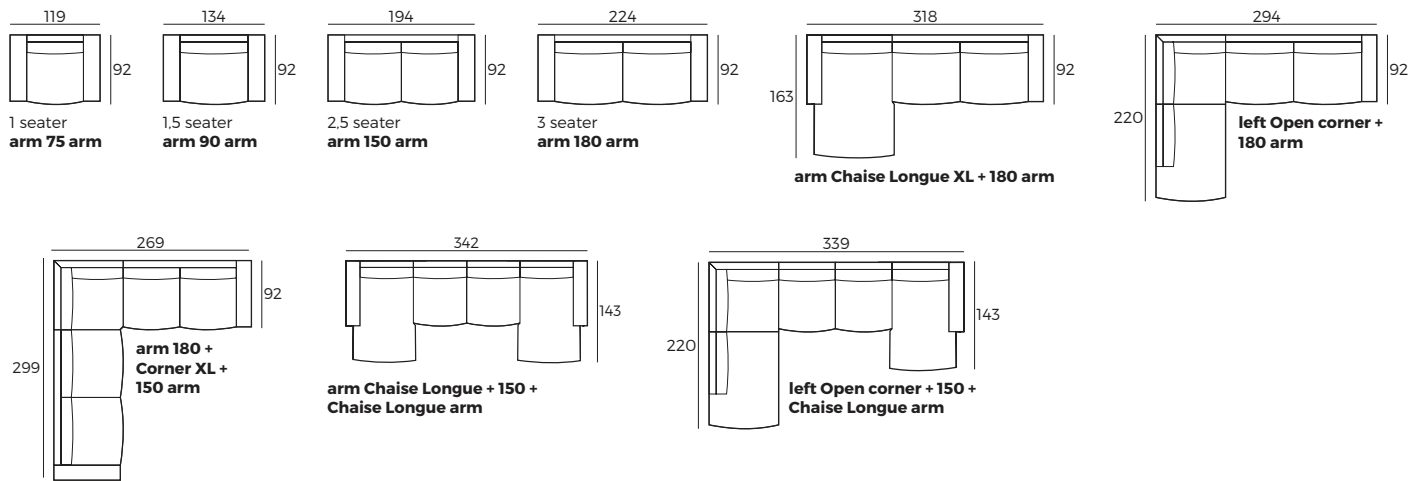
Modules with armrest



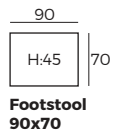
HANNA

Combinations

Scale 1:100



Accessories



HAZEL

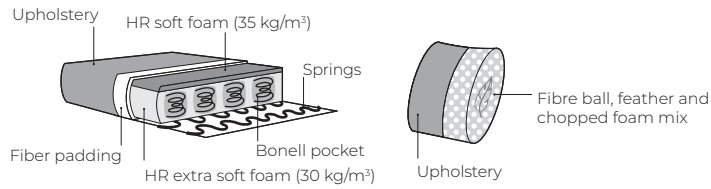


VILMERS

HAZEL



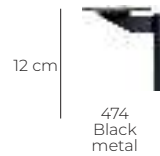
Comfort



1. Upholstery



2. Legs

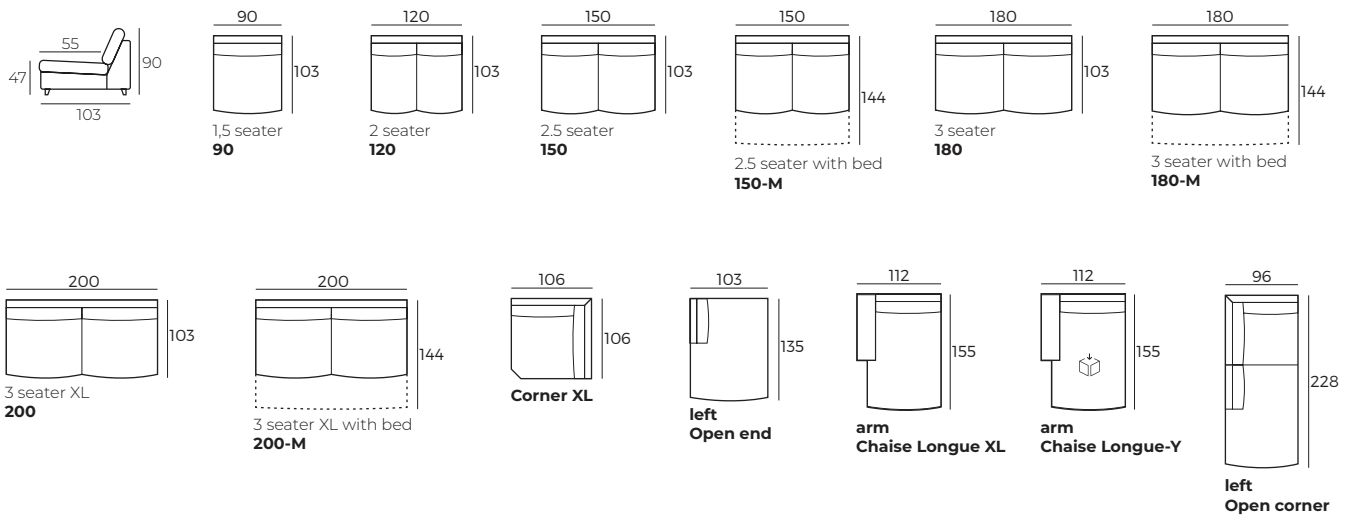


IMPORTANT:

Upholstered furniture is handmade using soft materials, therefore measurements can vary in all modules by up to **+/-2 cm**.
Modules and combinations shown in 2D drawings are left-sided. Modules and combinations can be mirrored from left to right.

Modules

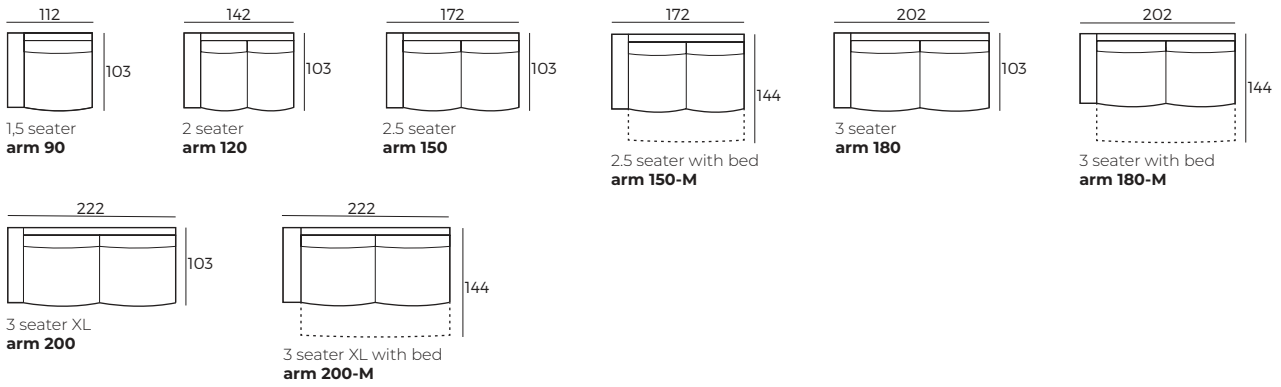
Scale 1:100



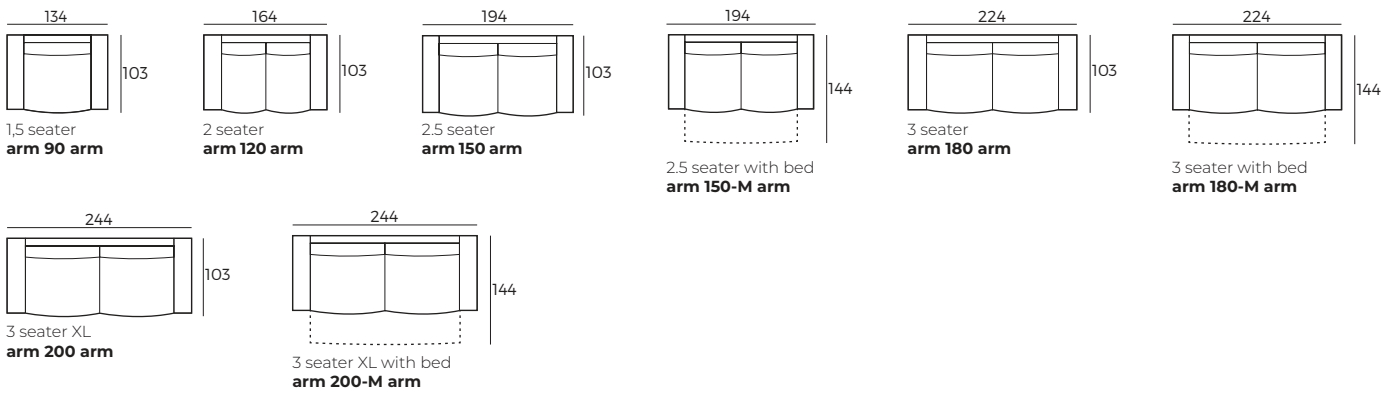
HAZEL

Modules with armrest

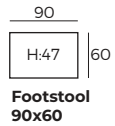
Scale 1:100



Combinations



Accessories



HEDY

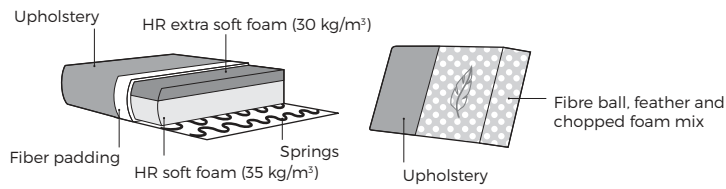


VILMERS

HEDY



Comfort



1. Upholstery



Fabric

2. Armrests



COVY

W 21 x D 99 x H 63

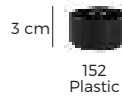
FLATY

W 14 x D 99 x H 63

HEDY

W 25 x D 99 x H 63

3. Legs



152
Plastic



280
Black

* With Flaty
armrest



282
Black

* With Covy
armrest



342
Black

* With Hedy
armrest



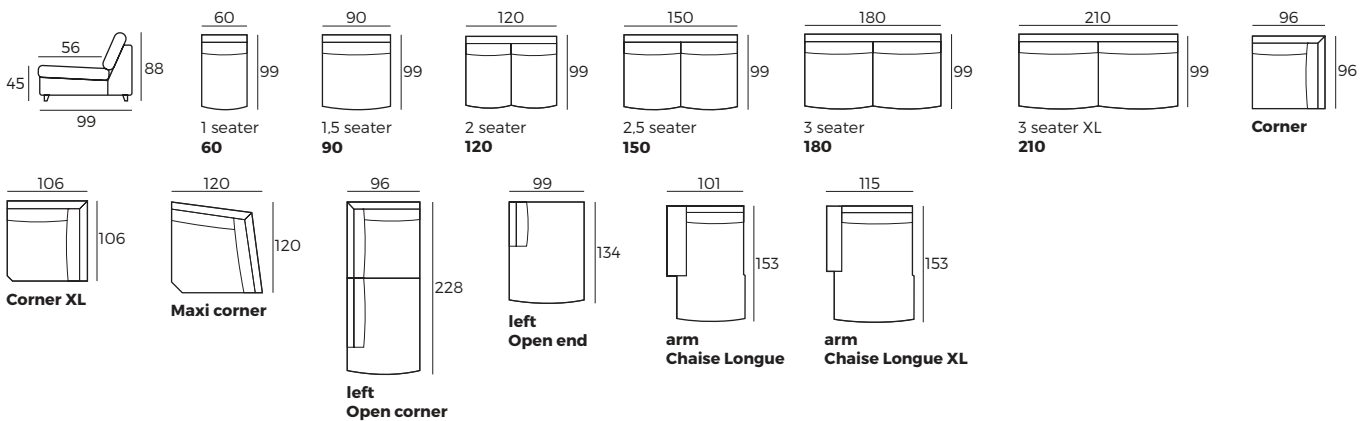
Oiled

IMPORTANT:

Upholstered furniture is handmade using soft materials, therefore measurements can vary in all modules by up to **+/-2 cm**.
Modules and combinations shown in 2D drawings are left-sided. Modules and combinations can be mirrored from left to right.

Modules (Measurements with HEDY armrest)

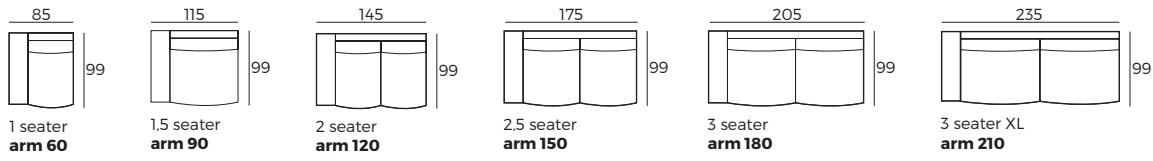
Scale 1:100



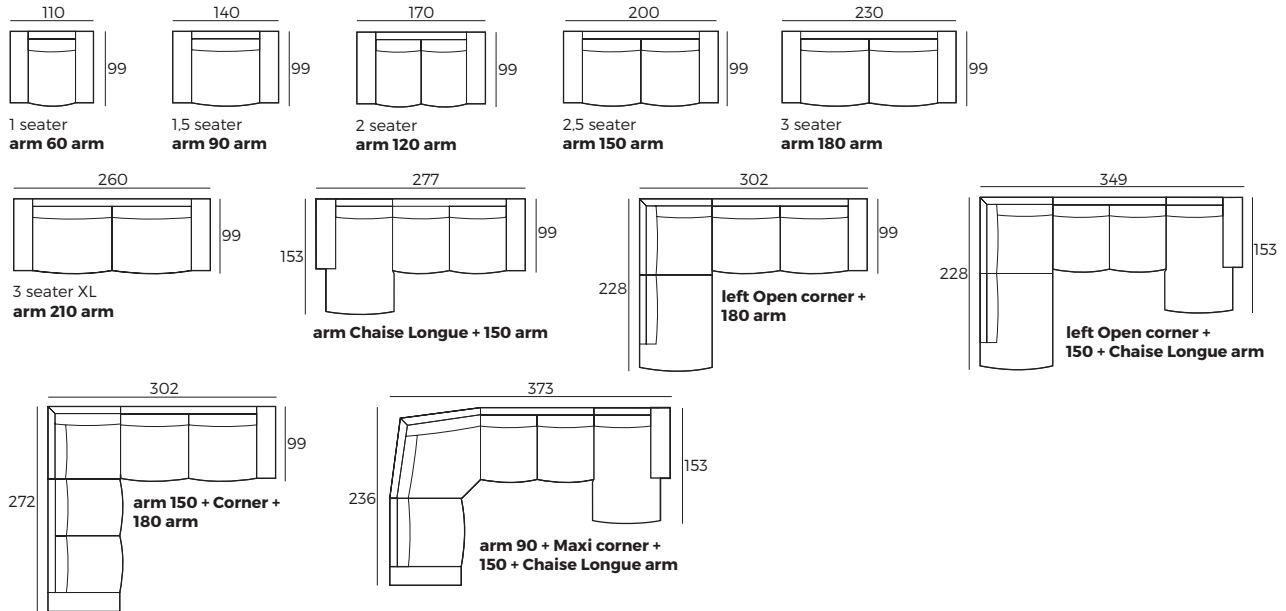
HEDY

Modules with armrest (Measurements with HEDY armrest)

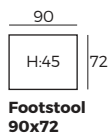
Scale 1:100



Combinations (Measurements with HEDY armrest)



Accessories



HELENA

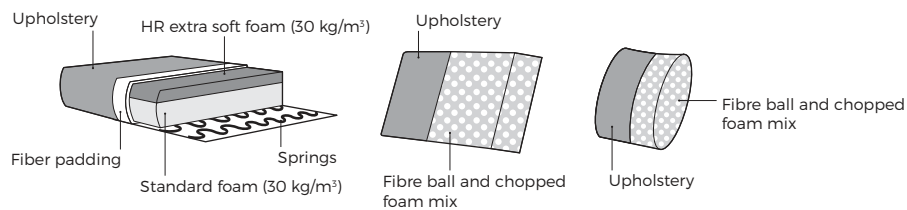


VILMERS

HELENA



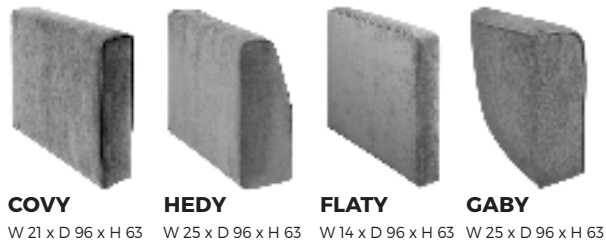
Comfort



1. Upholstery

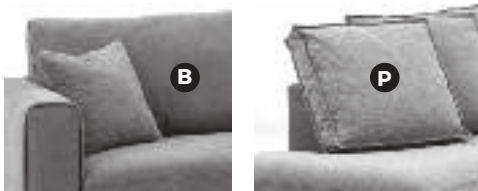


2. Armrests



COVY W 21 x D 96 x H 63 HEDY W 25 x D 96 x H 63 FLATY W 14 x D 96 x H 63 GABY W 25 x D 96 x H 63

3. Choose cushions



Cushion **B**

Cushion **P***

* Only fabric option for this cushion.

4. Multicolour option



5. Legs

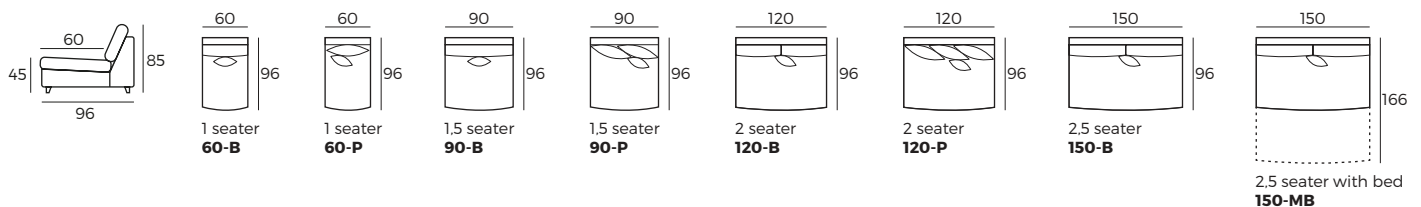


IMPORTANT:

Upholstered furniture is handmade using soft materials, therefore measurements can vary in all modules by up to **+/-2cm**.
Modules and combinations shown in 2D drawings are left-sided. Modules and combinations can be mirrored from left to right.

Modules (Measurements with HEDY armrest)

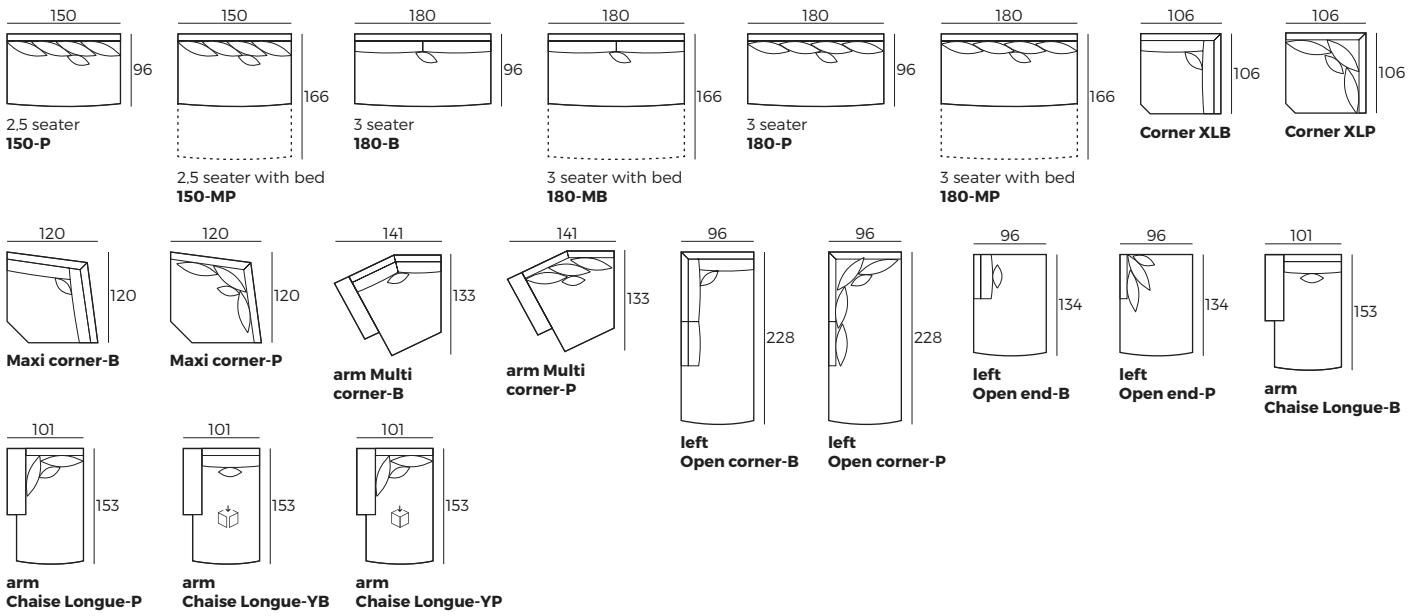
Scale 1:100



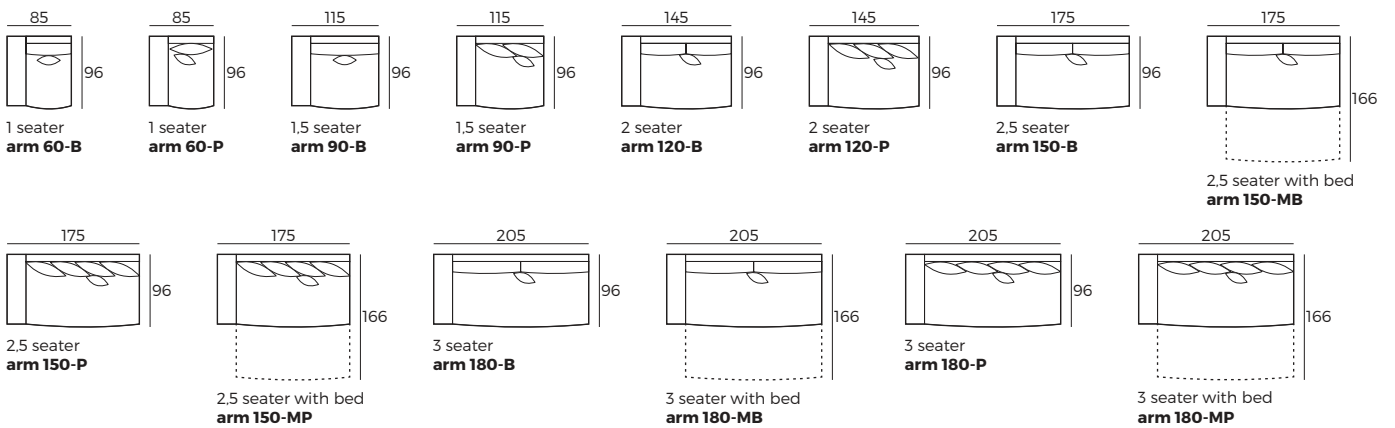
HELENA

Modules (Measurements with HEDY armrest)

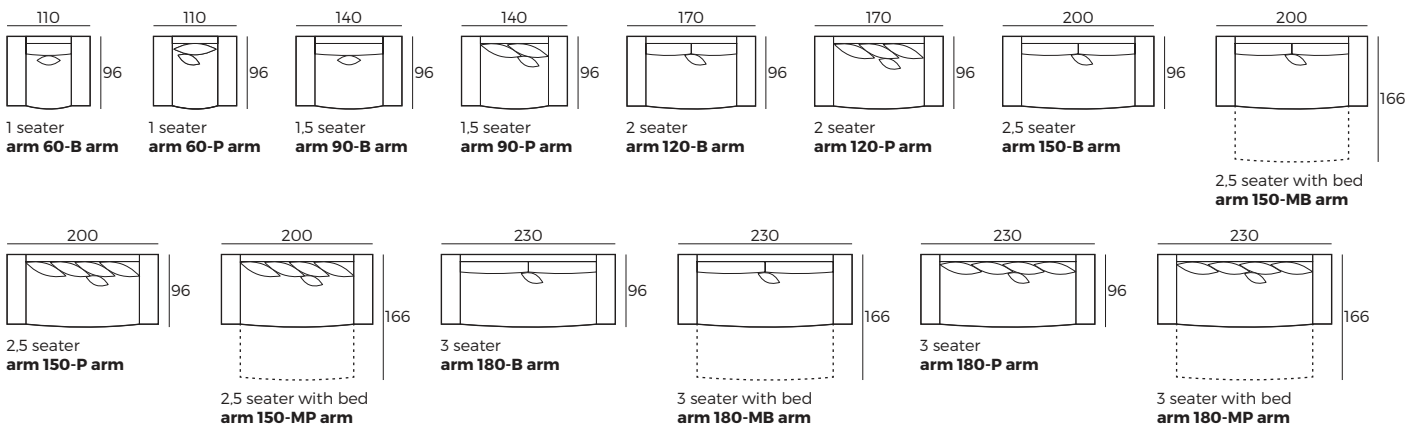
Scale 1:100



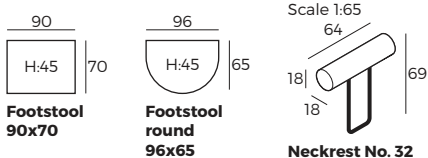
Modules with armrest (Measurements with HEDY armrest)



Combinations (Measurements with HEDY armrest)



Accessories



INGA

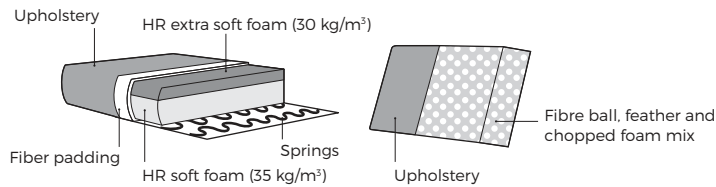


VILMERS

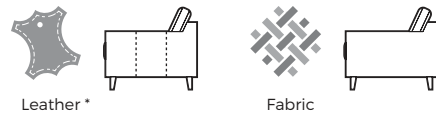
INGA



Comfort



1. Upholstery



* Leather upholstery may require more stitches than fabric upholstery.

2. Armrests



1 W 18 x D 90 x H 54
2 W 19 x D 90 x H 54
3 W 17 x D 90 x H 54

3. Legs

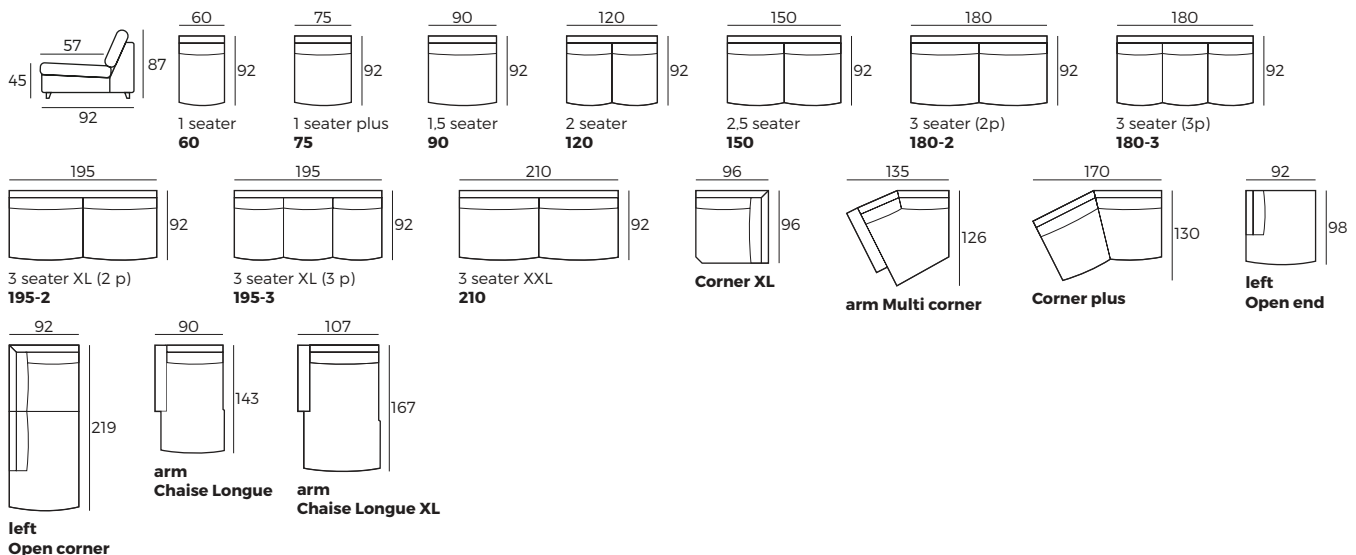


IMPORTANT:

Upholstered furniture is handmade using soft materials, therefore measurements can vary in all modules by up to +/- 2cm.
Modules and combinations shown in 2D drawings are left-sided. Modules and combinations can be mirrored from left to right.

Modules (Measurements with 3 armrest)

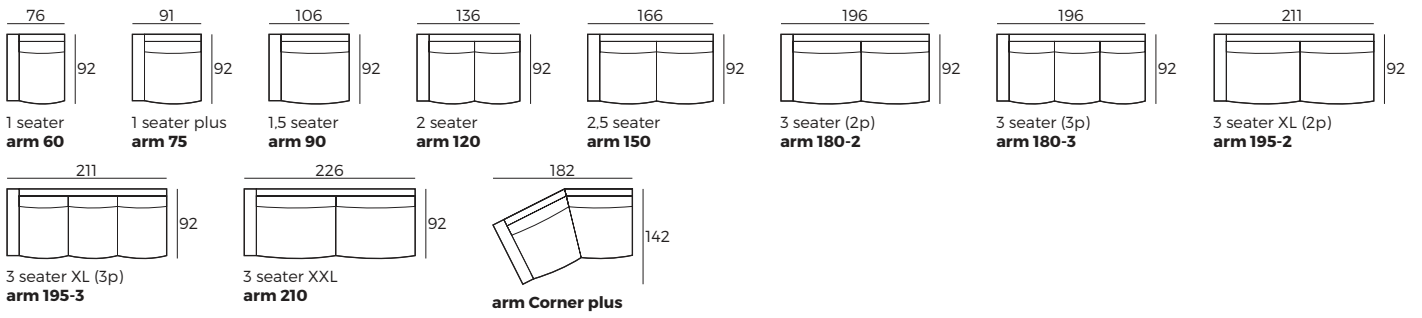
Scale 1:100



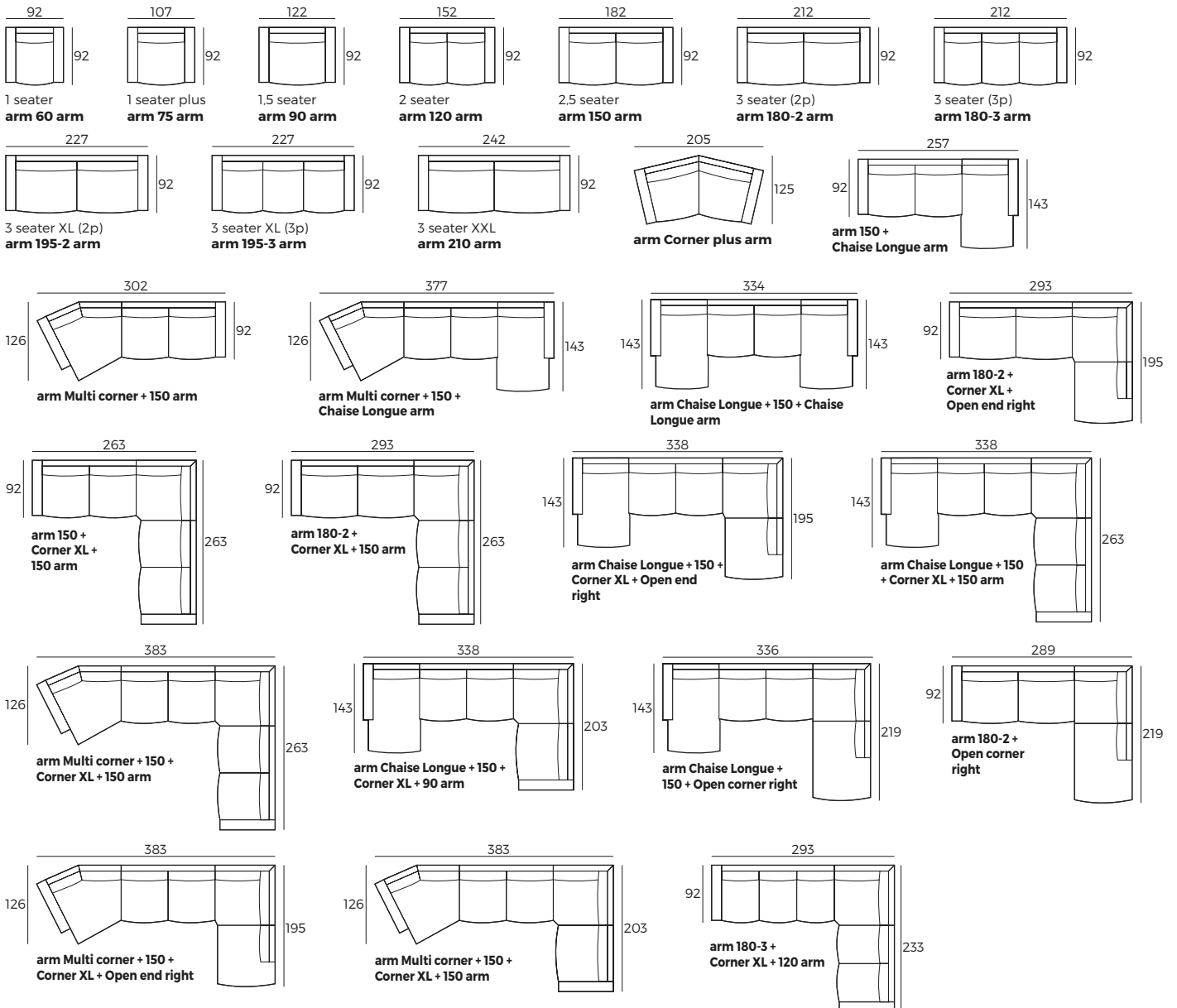
INGA

Modules with armrest (Measurements with 3 armrest)

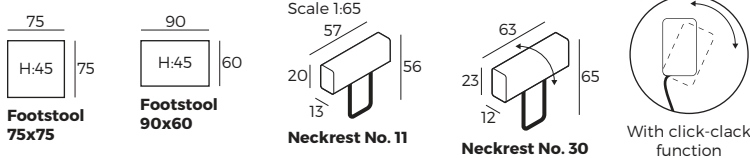
Scale 1:100



Combinations (Measurements with 3 armrest)



Accessories

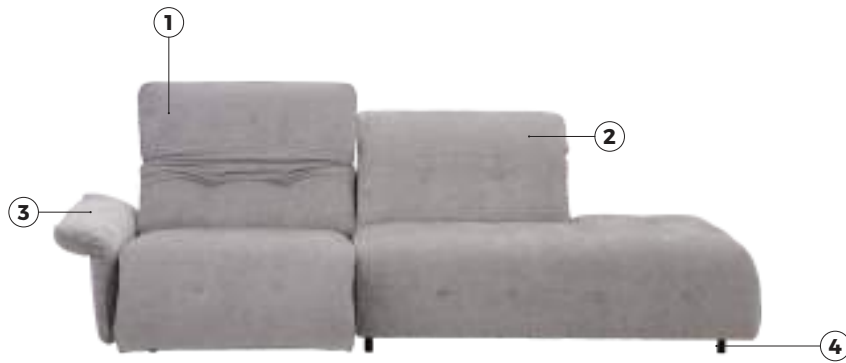


JOANA

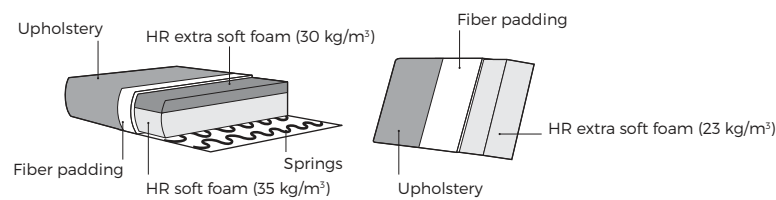


VILMERS

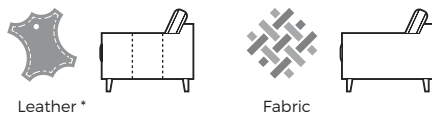
JOANA



Comfort



1. Upholstery

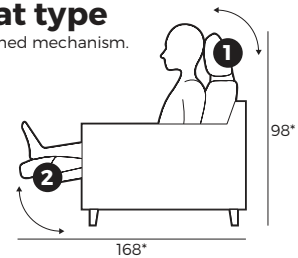


* Leather upholstery may require more stitches than fabric upholstery.

2. Headrest & seat type

* Measurements for fully opened mechanism.

- 1 Manual ↷
- 2 Electrical ⚡



3. Armrest



4. Legs

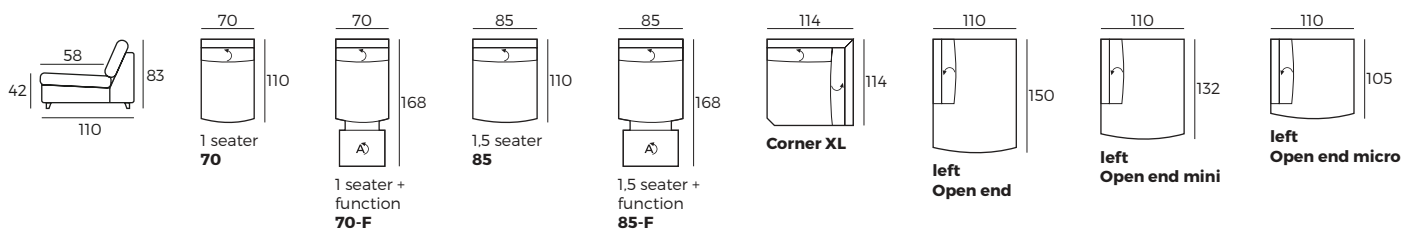


IMPORTANT:

Upholstered furniture is handmade using soft materials, therefore measurements can vary in all modules by up to **+/-2cm**.
 Modules and combinations shown in 2D drawings are left-sided. Modules and combinations can be mirrored from left to right.

Modules (Measurements with fully opened armrest)

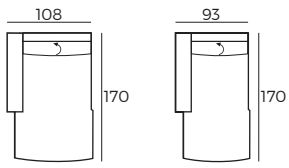
Scale 1:100



JOANA

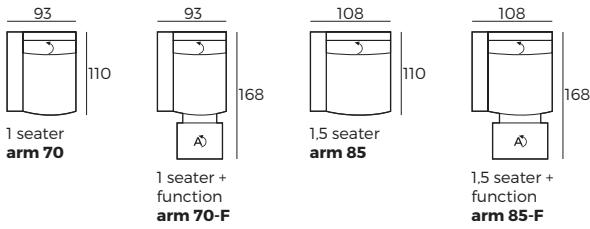
Modules (Measurements with fully opened armrest)

Scale 1:100

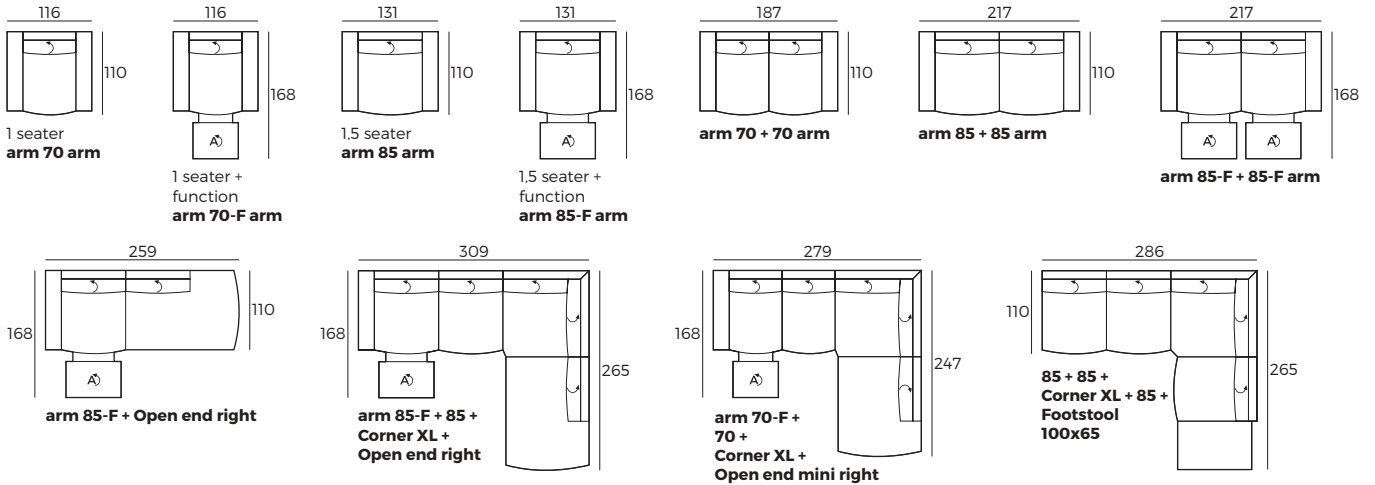


arm
Chaise Longue **arm**
Chaise Longue mini

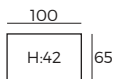
Modules with armrest (Measurements with fully opened armrest)



Combinations (Measurements with fully opened armrest)



Accessories



Footstool
100x65

↶ - manual; ⚡ - electrical *F - single electric function

LAND

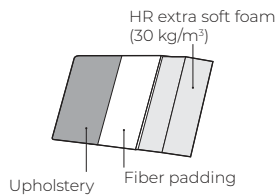
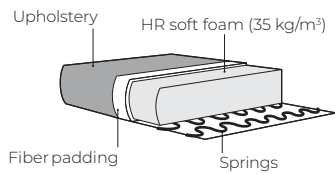


VILMERS

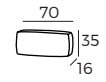
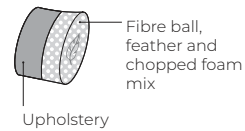
LAND



Comfort



Deco cushions



Deco cushion
70x35x16

Deco cushions are optional. Can be purchased with or without cushions.

1. Upholstery



Fabric

2. Legs

6 cm



391



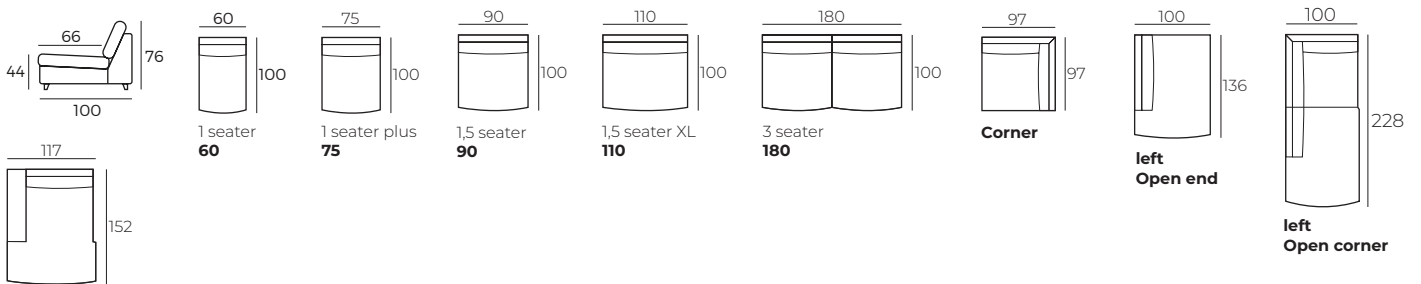
Black

IMPORTANT:

Upholstered furniture is handmade using soft materials, therefore measurements can vary in all modules by up to **+/-2 cm**.
Modules and combinations shown in 2D drawings are left-sided. Modules and combinations can be mirrored from left to right.

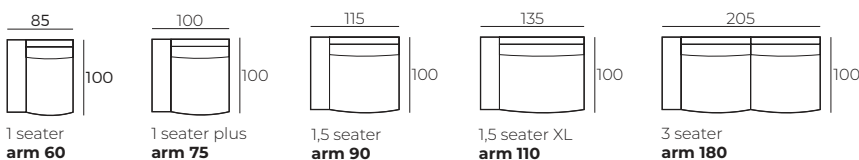
Modules

Scale 1:100



arm
Chaise Longue XL

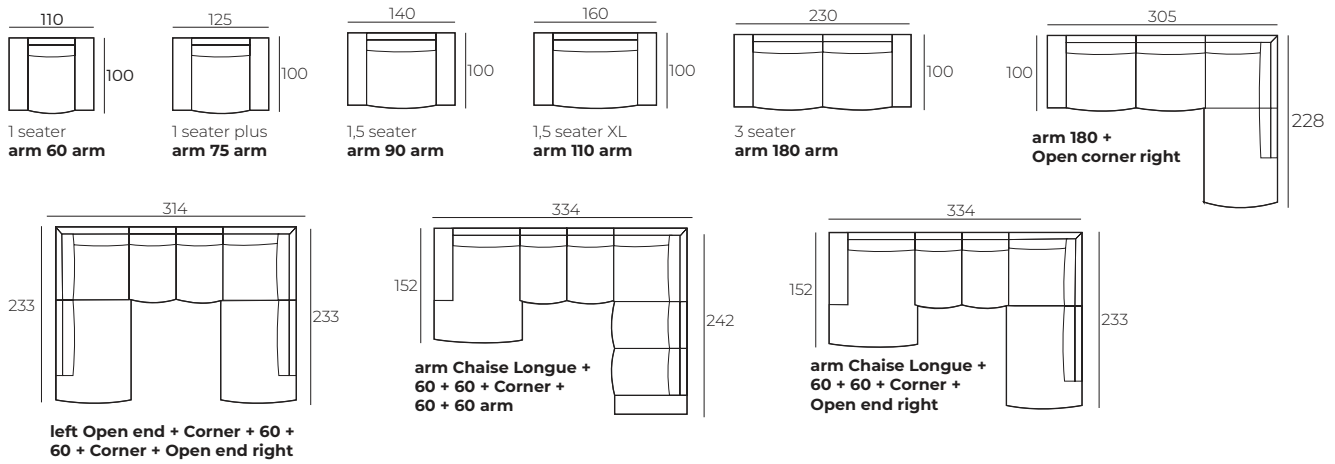
Modules with armrest



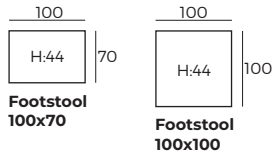
LAND

Combinations

Scale 1:100



Accessories



LAND

WITH FRAME



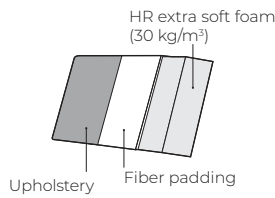
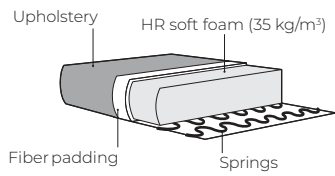
VILMERS



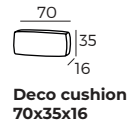
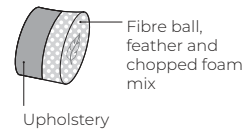
LAND WITH FRAME



Comfort



Deco cushions



Deco cushions are optional. Can be purchased with or without cushions.

1. Upholstery



Fabric

2. Legs



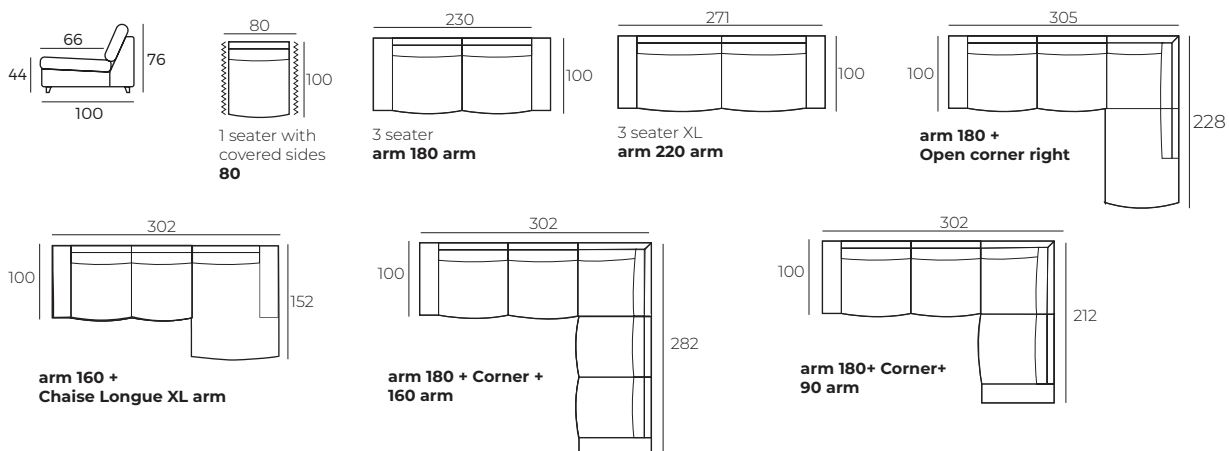
- Mokka
- Walnut
- White oak

IMPORTANT:

Upholstered furniture is handmade using soft materials, therefore measurements can vary in all modules by up to **+/-2 cm**.
Modules and combinations shown in 2D drawings are left-sided. Modules and combinations can be mirrored from left to right.

Combinations

Scale 1:100



LARGO

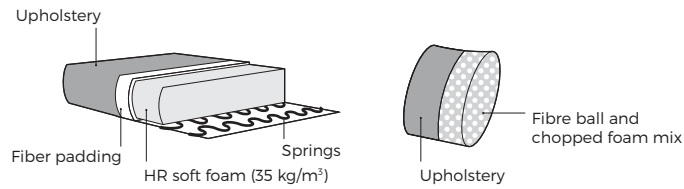


VILMERS

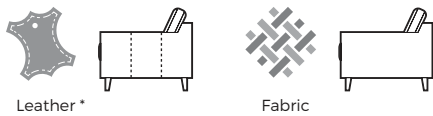
LARGO



Comfort



1. Upholstery



* Leather upholstery may require more stitches than fabric upholstery.

2. Multicolour Option



3. Choose cushions



4. Legs

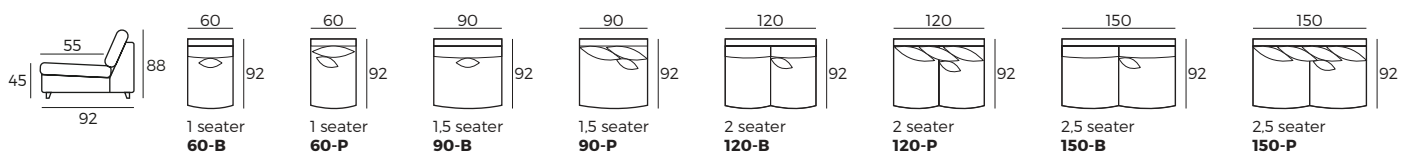


IMPORTANT:

Upholstered furniture is handmade using soft materials, therefore measurements can vary in all modules by up to **+/-2 cm**.
Modules and combinations shown in 2D drawings are left-sided. Modules and combinations can be mirrored from left to right.

Modules

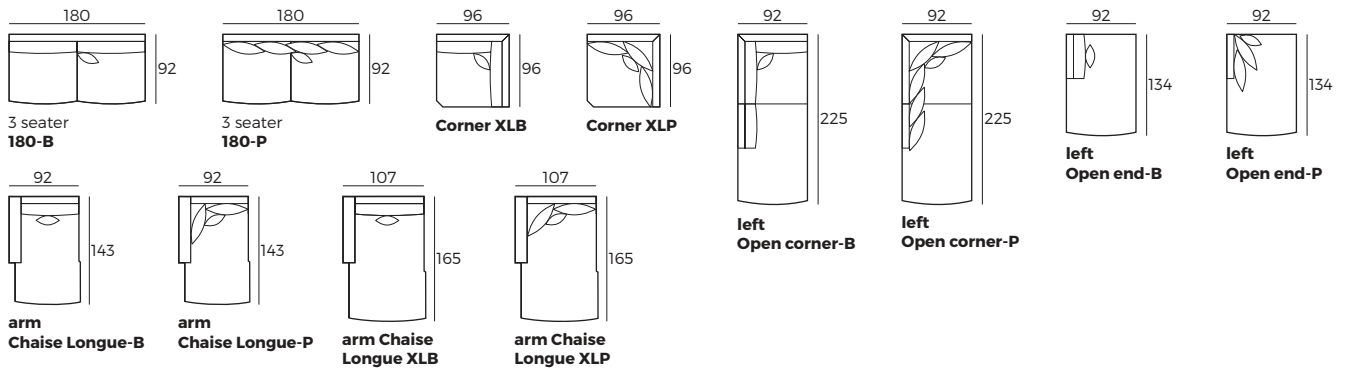
Scale 1:100



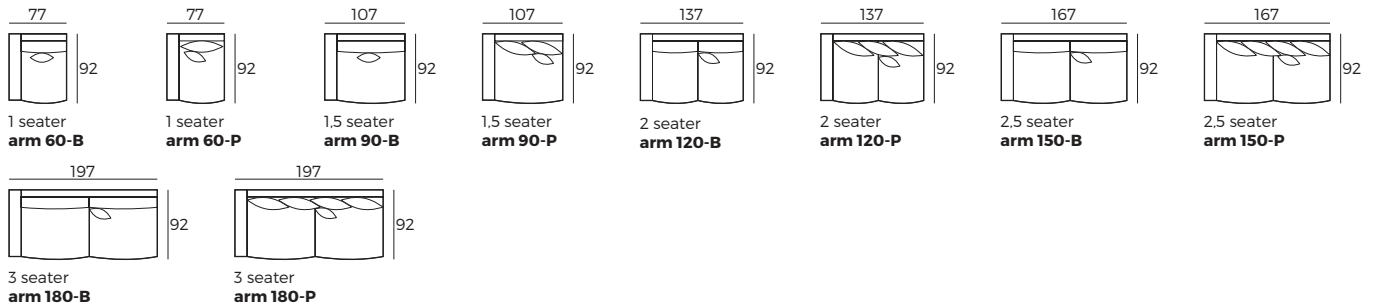
LARGO

Scale 1:100

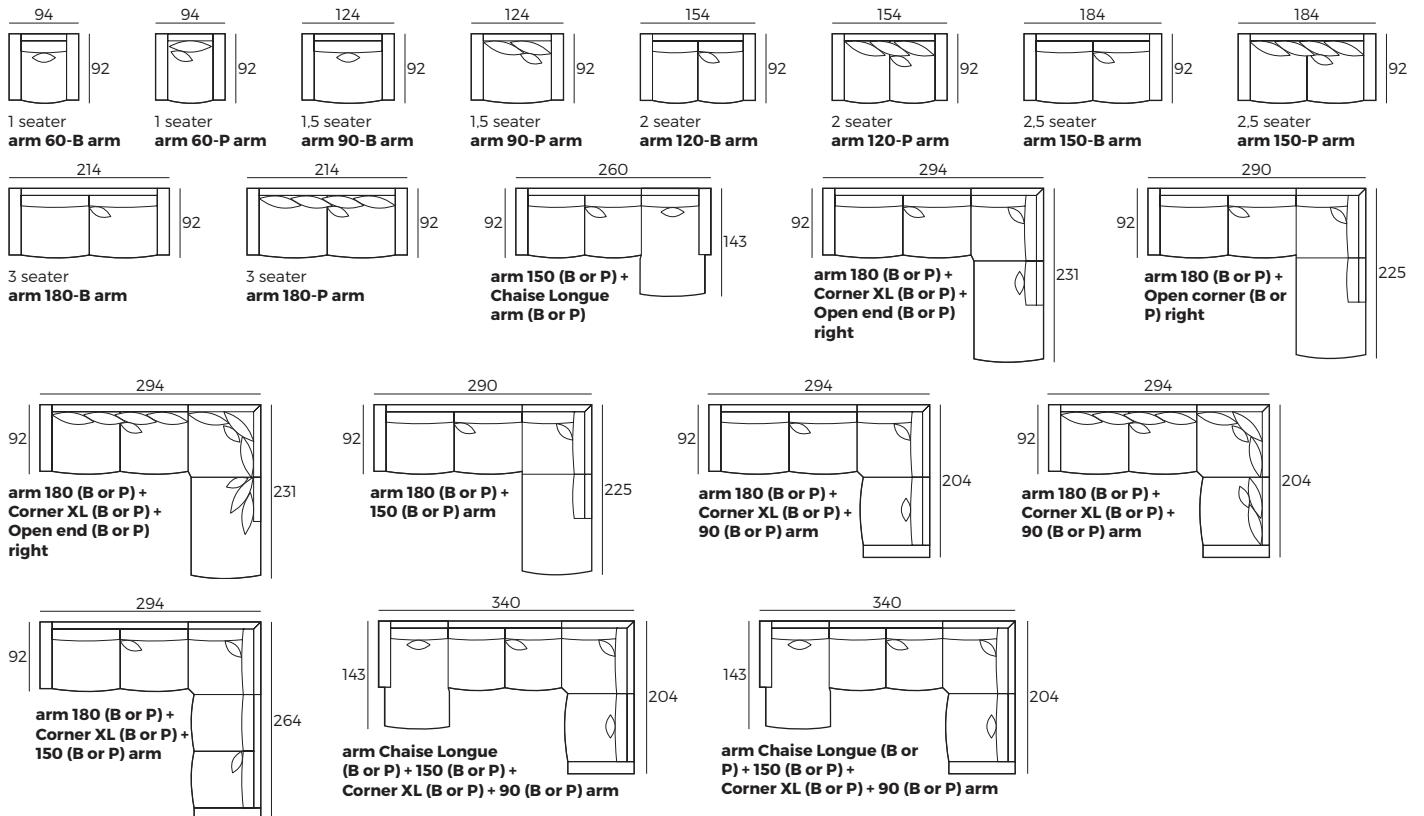
Modules



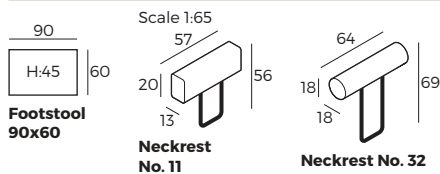
Modules with armrest



Combinations



Accessories



LARVIK

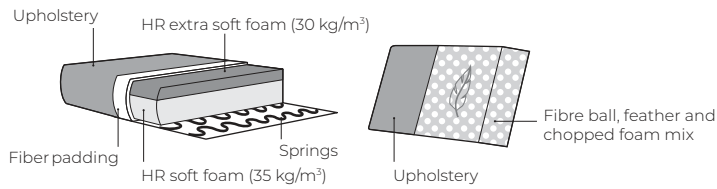


VILMERS

LARVIK



Comfort



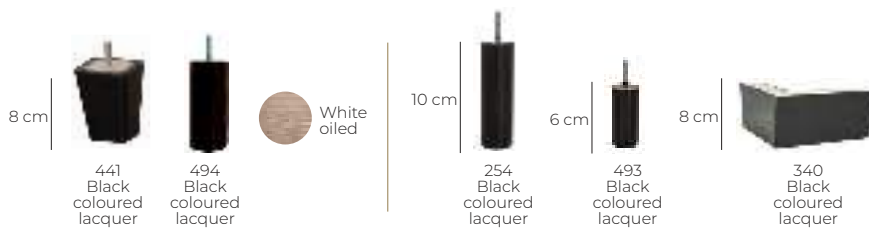
1. Upholstery



2. Armrests



3. Legs

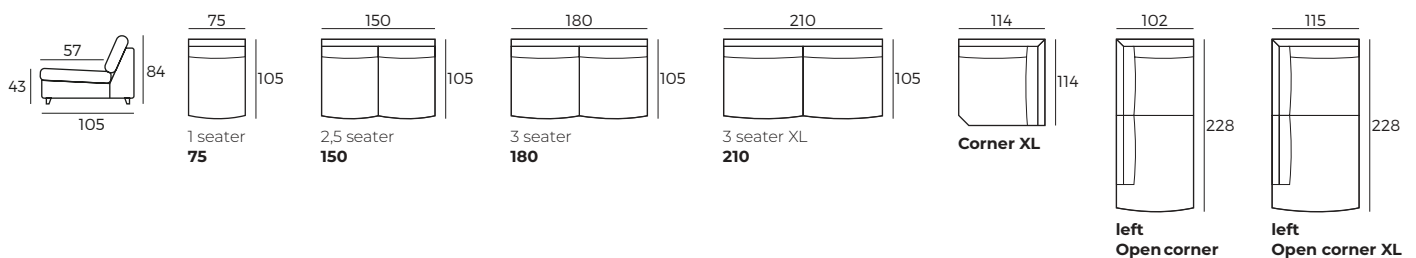


IMPORTANT:

Upholstered furniture is handmade using soft materials, therefore measurements can vary in all modules by up to **+/-2 cm**.
 Modules and combinations shown in 2D drawings are left-sided. Modules and combinations can be mirrored from left to right.
 For an additional fee, the sides of each seater module can be covered in fabric.

Modules (Measurements with STREET armrest)

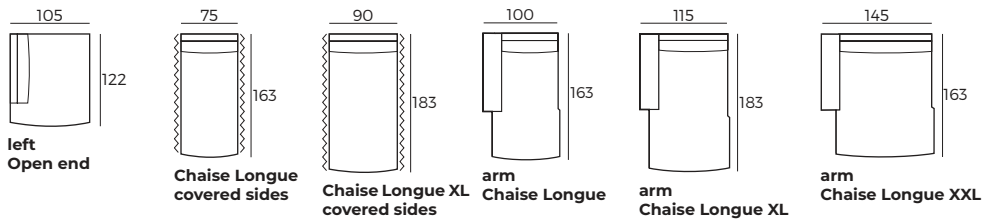
Scale 1:100



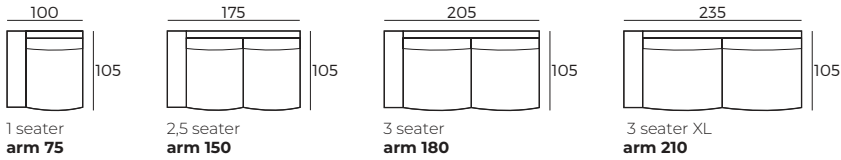
LARVIK

Modules (Measurements with STREET armrest)

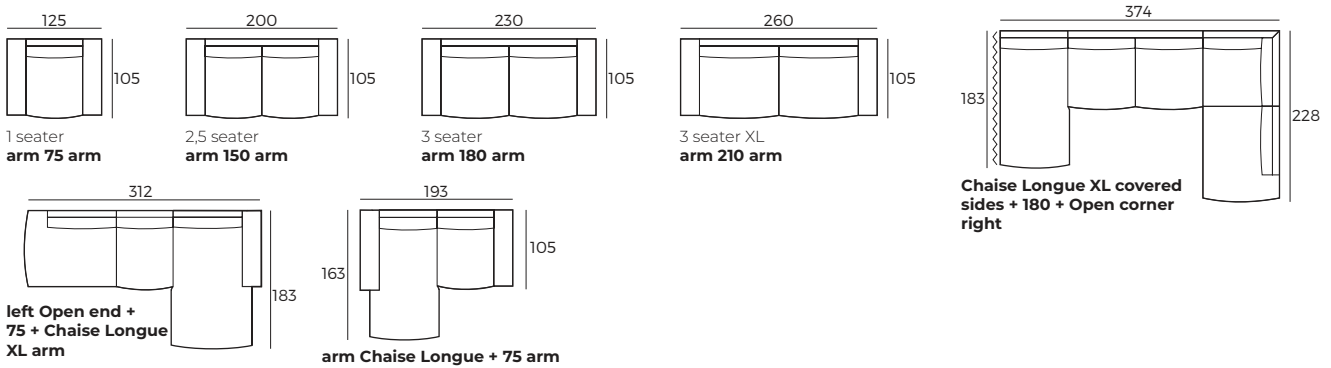
Scale 1:100



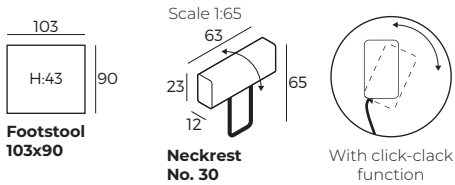
Modules with armrest (Measurements with STREET armrest)



Combinations (Measurements with STREET armrest)



Accessories



LAURE



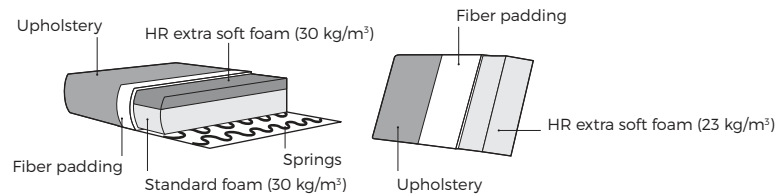
VILMERS



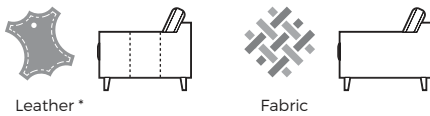
LAURE



Comfort



1. Upholstery



Leather*

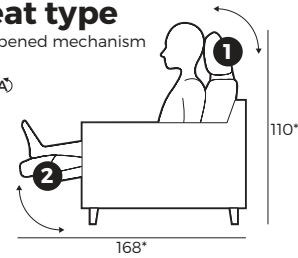
Fabric

* Leather upholstery may require more stitches than fabric upholstery.

2. Headrest & seat type

*Measurements with fully opened mechanism

- 1 Manual ↶ / Electrical ↷
- 2 Electrical ↷



3. Multicolour Option



8 cm

4. Legs



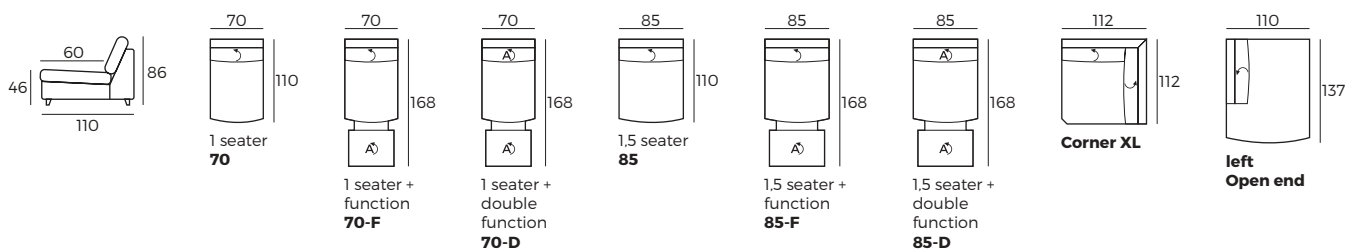
396
Black
metal

IMPORTANT:

Upholstered furniture is handmade using soft materials, therefore measurements can vary in all modules by up to **+/-2 cm**.
Modules and combinations shown in 2D drawings are left-sided. Modules and combinations can be mirrored from left to right.

Modules

Scale 1:100



REST ASSURED
vilmers.com

LAVINA

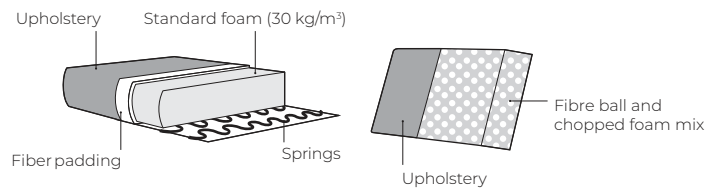


VILMERS

LAVINA



Comfort



1. Upholstery



* Leather upholstery may require more stitches than fabric upholstery.

2. Legs

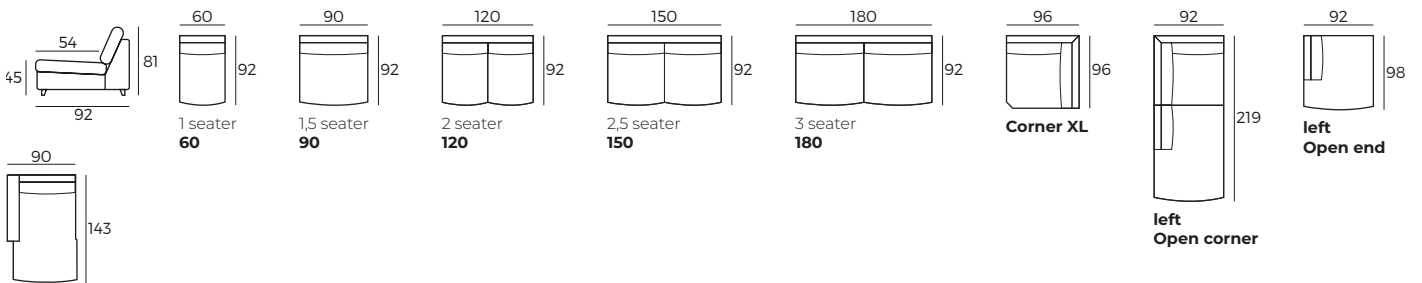


IMPORTANT:

Upholstered furniture is handmade using soft materials, therefore measurements can vary in all modules by up to **+/-2 cm**.
 Modules and combinations shown in 2D drawings are left-sided. Modules and combinations can be mirrored from left to right.
 For an additional fee, the sides of each seater module can be covered in fabric.

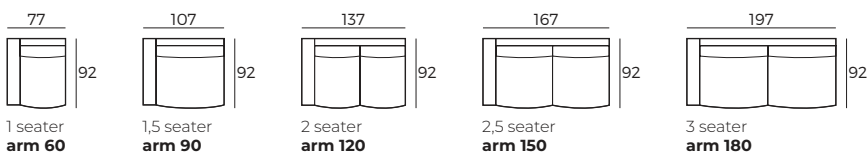
Modules

Scale 1:100



arm
Chaise Longue

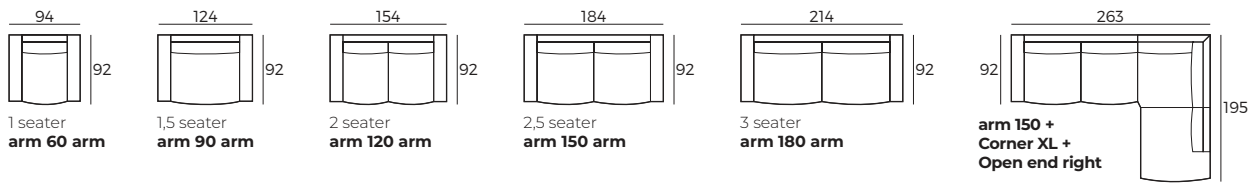
Modules with armrest



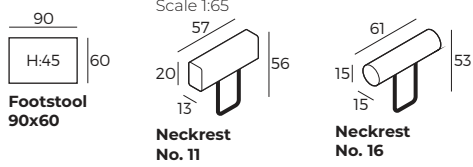
LAVINA

Combinations

Scale 1:100



Accessories



LINDEN

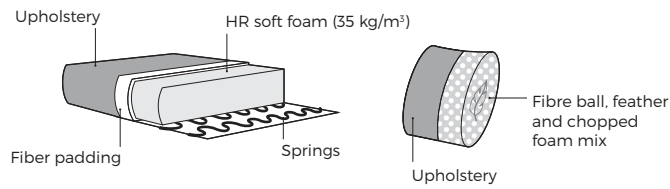


VILMERS

LINDEN



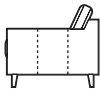
Comfort



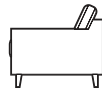
1. Upholstery



Leather *



Fabric



2. Multicolour Option



3. Legs



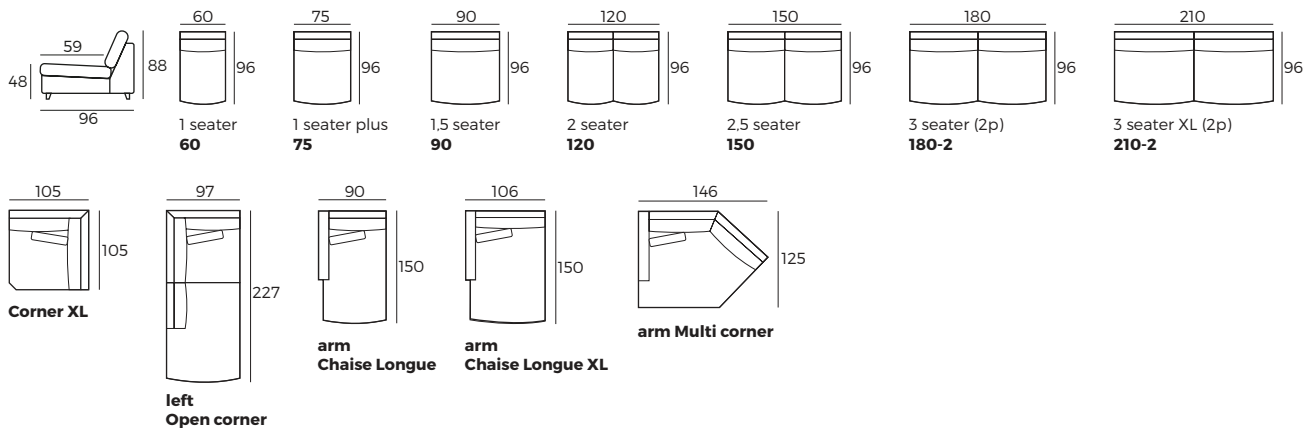
* Leather upholstery may require more stitches than fabric upholstery.

IMPORTANT:

Upholstered furniture is handmade using soft materials, therefore measurements can vary in all modules by up to **+/-2 cm**.
Modules and combinations shown in 2D drawings are left-sided. Modules and combinations can be mirrored from left to right.

Modules

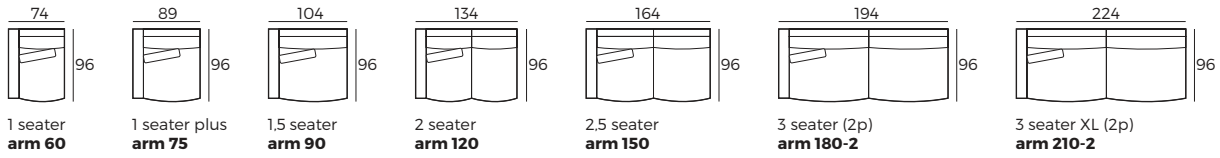
Scale 1:100



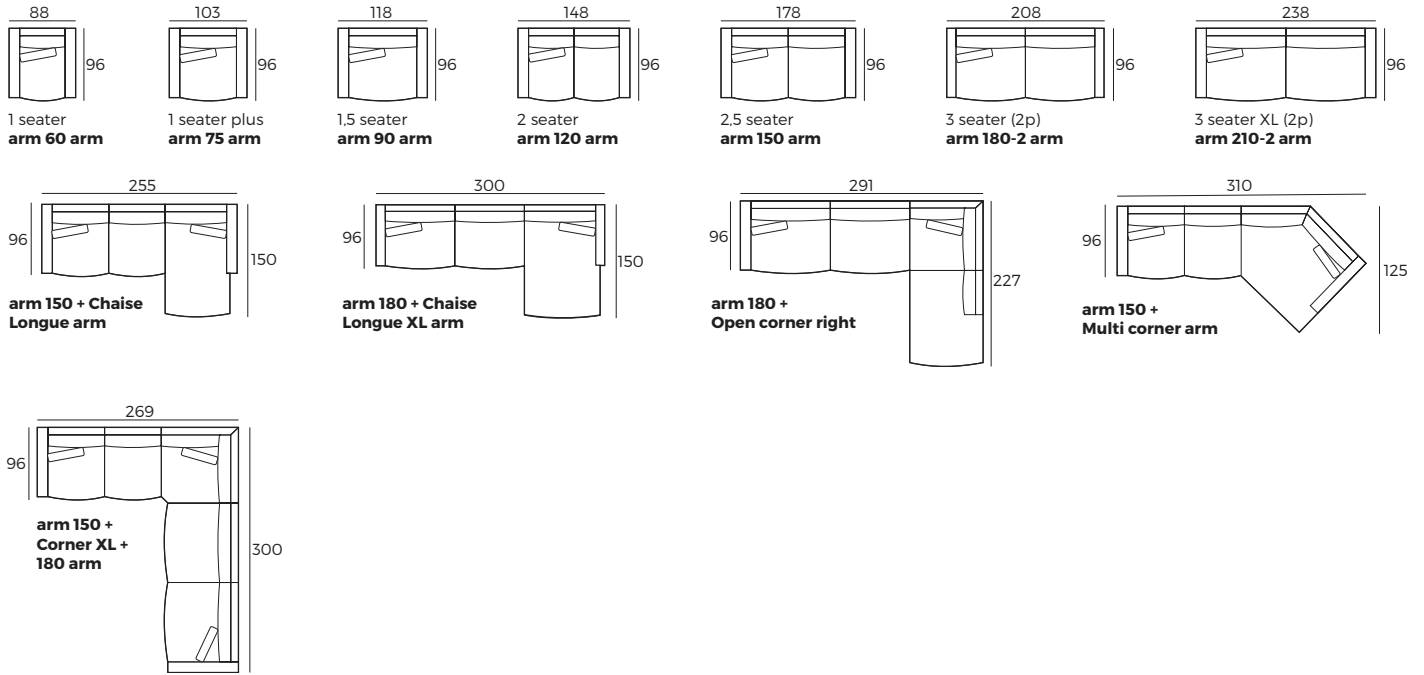
LINDEN

Modules with armrest

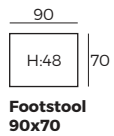
Scale 1:100



Combinations



Accessories

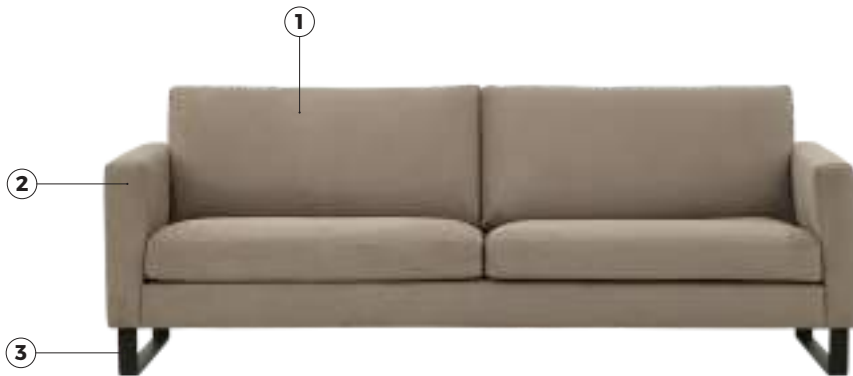


LIV

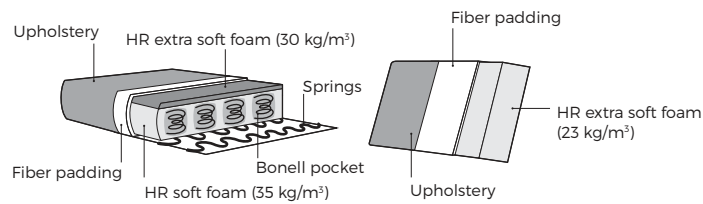


VILMERS

LIV



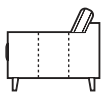
Comfort



1. Upholstery



Leather*



Fabric

* Leather upholstery may require more stitches than fabric upholstery.

2. Armrest



FLEXY

W 12/20 x D 90 x H 51



SHARE

W 16 x D 90 x H 48



EVY

W 18 x D 90 x H 52

3. Legs



529 Oiled



393 Black metal



387 Black metal



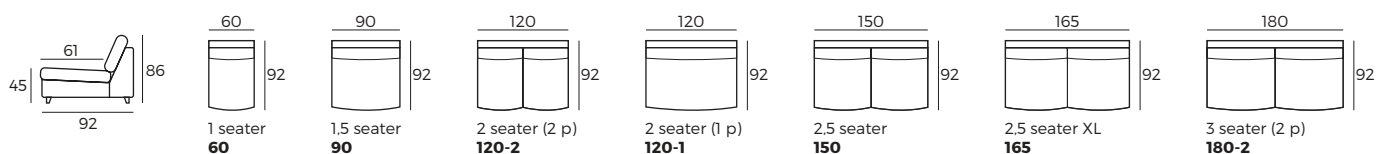
385 Black metal

IMPORTANT:

Upholstered furniture is handmade using soft materials, therefore measurements can vary in all modules by up to **+/-2 cm**.
Modules and combinations shown in 2D drawings are left-sided. Modules and combinations can be mirrored from left to right.

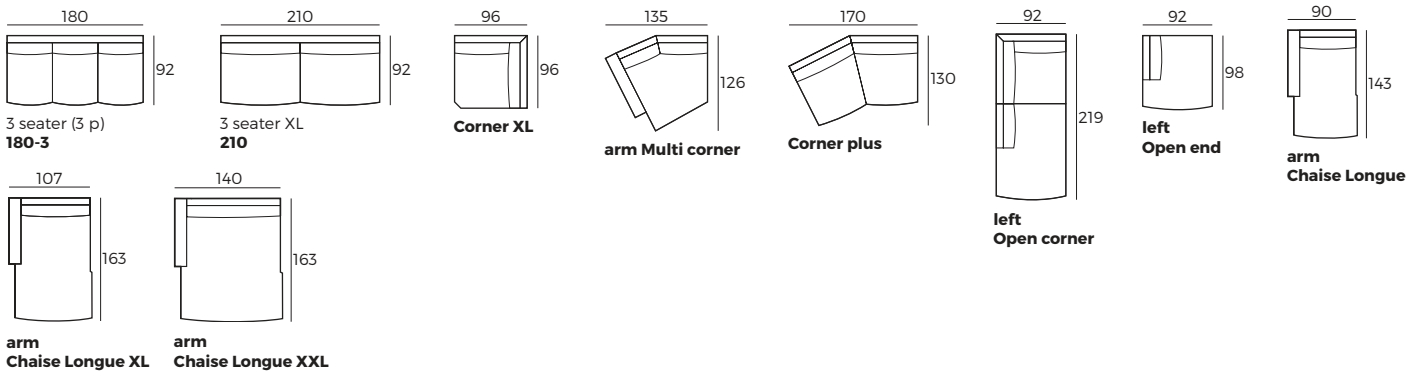
Modules (Measurements with SHARE armrest)

Scale 1:100

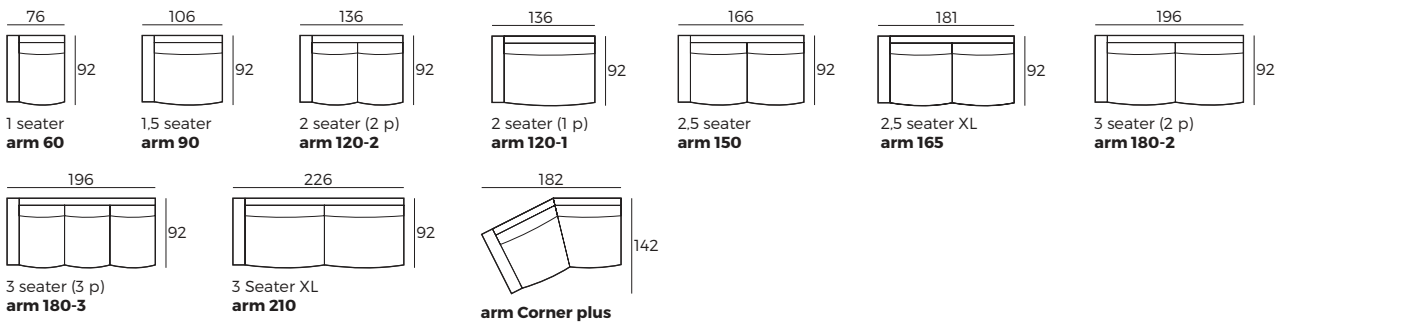


Modules (Measurements with SHARE armrest)

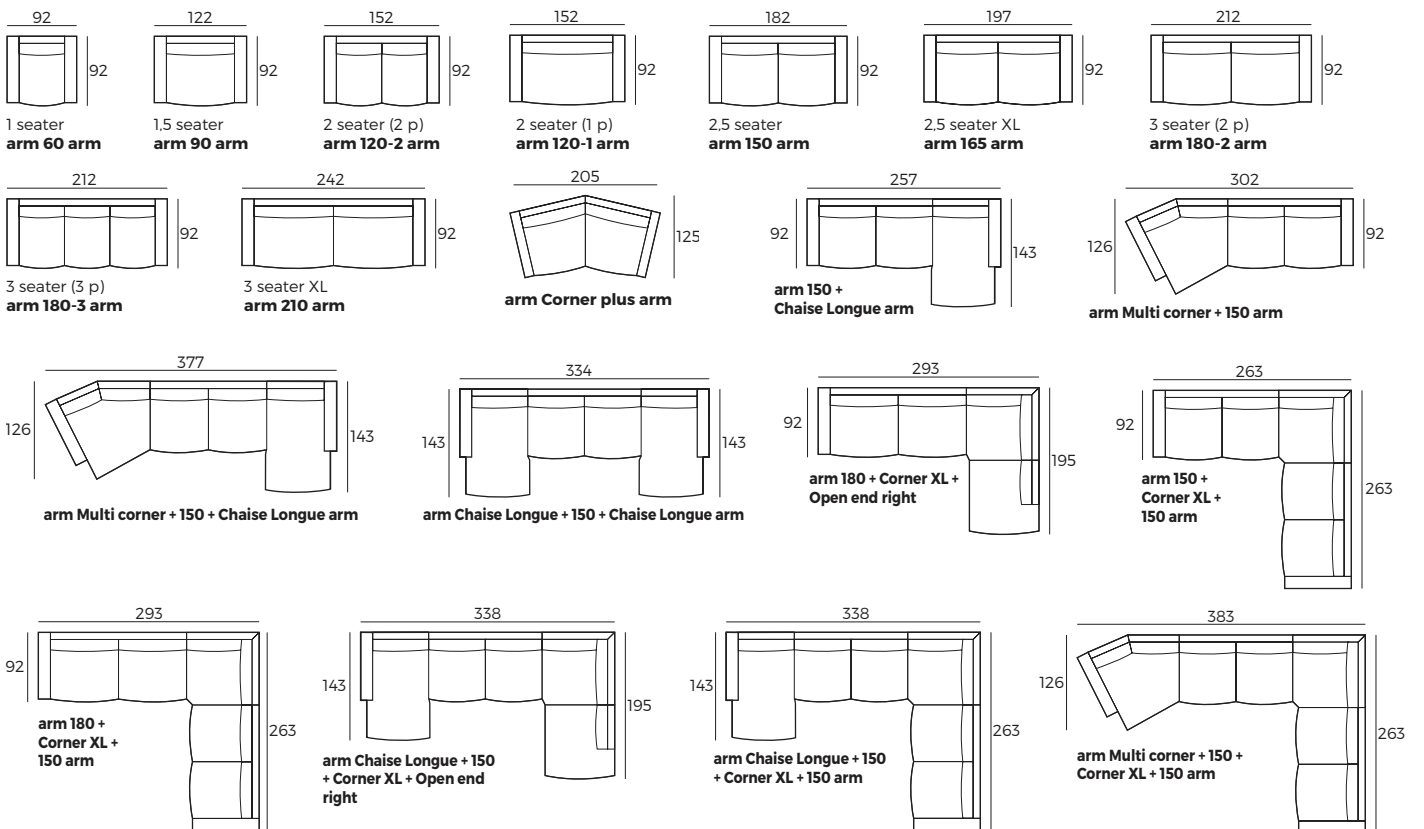
Scale 1:100



Modules with armrest (Measurements with SHARE armrest)



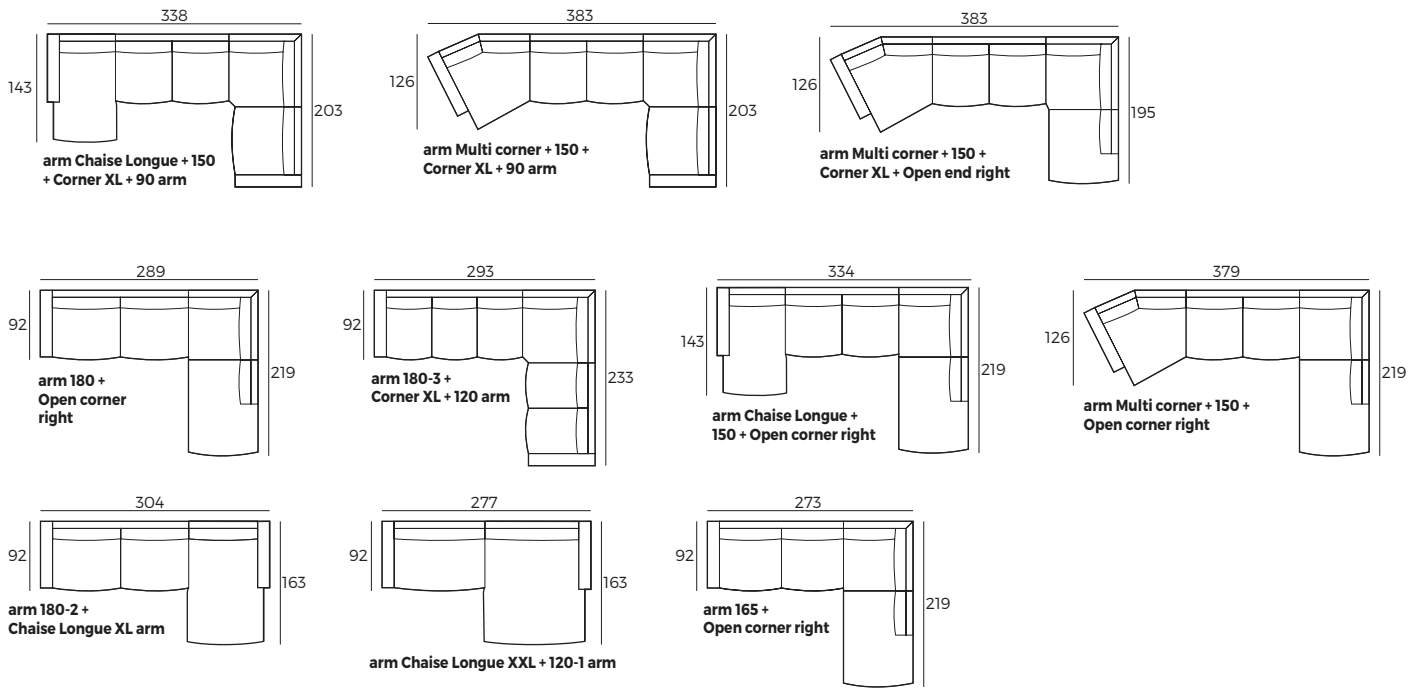
Combinations (Measurements with SHARE armrest)



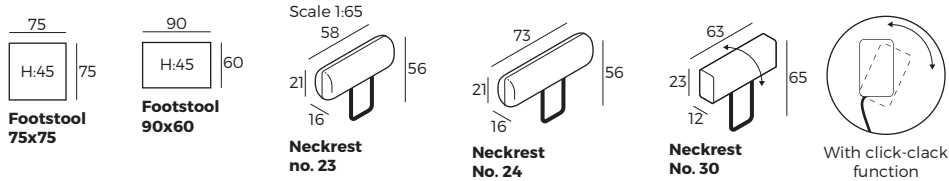
LIV

Combinations (Measurements with SHARE armrest)

Scale 1:100



Accessories



LIVE

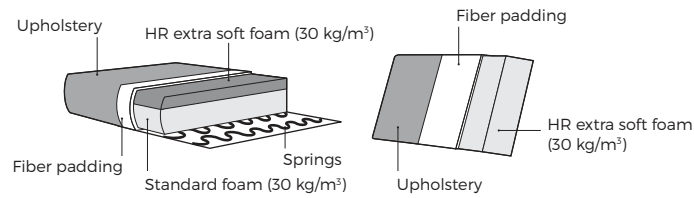


VILMERS

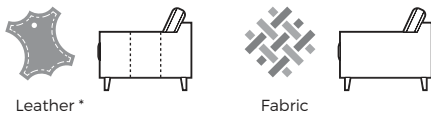
LIVE



Comfort



1. Upholstery



Leather*

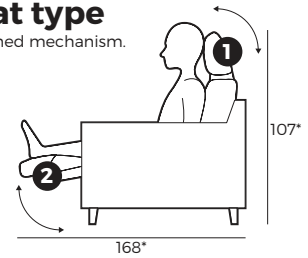
Fabric

* Leather upholstery may require more stitches than fabric upholstery.

2. Headrest & seat type

* Measurements for fully opened mechanism.

- 1 Manual ↗ / Electrical ⏻
- 2 Electrical ⏻



3. Multicolour Option



4. Legs



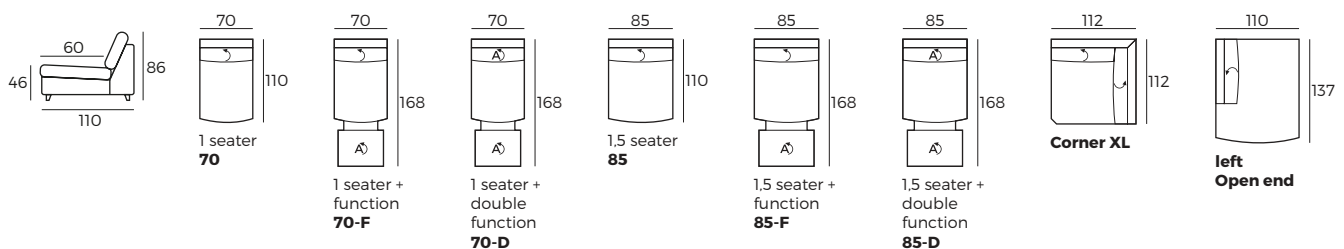
396
Black
metal

IMPORTANT:

Upholstered furniture is handmade using soft materials, therefore measurements can vary in all modules by up to **+/-2 cm**.
Modules and combinations shown in 2D drawings are left-sided. Modules and combinations can be mirrored from left to right.

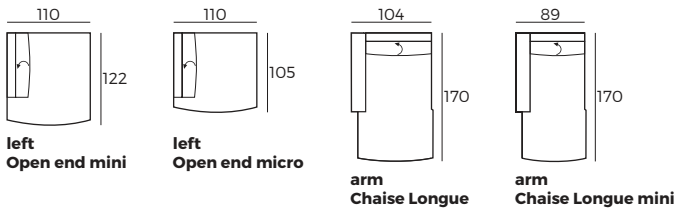
Modules

Scale 1:100

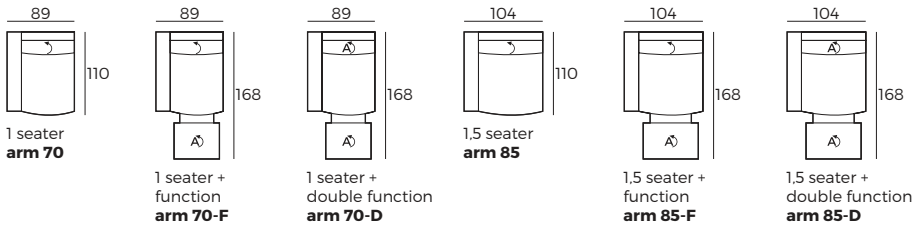


REST ASSURED
vilmers.com

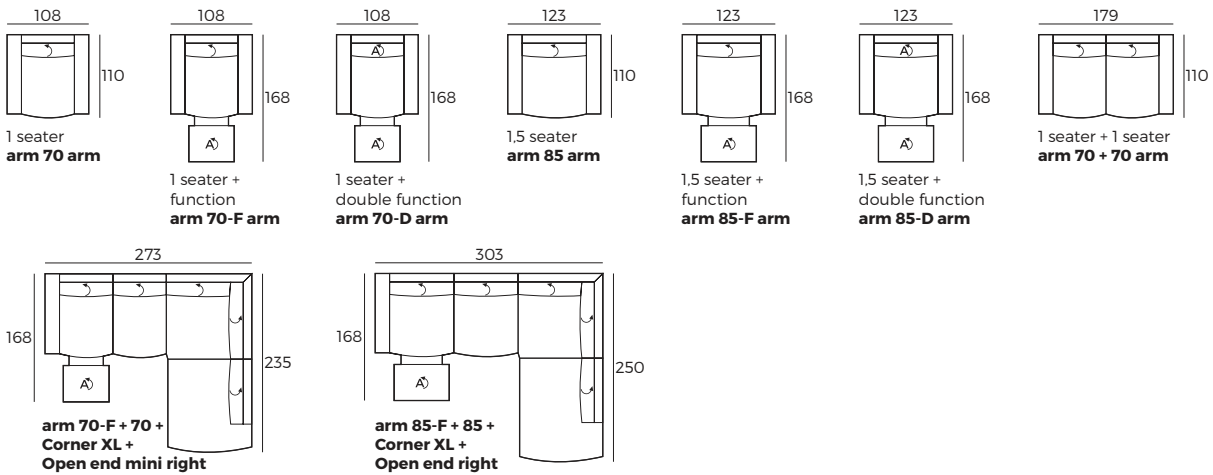
Modules



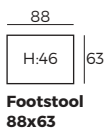
Modules with armrest



Combinations



Accessories



› - manual; Ⓐ - electrical *F - single electric function; *D - double electric function

LIVINGSTON



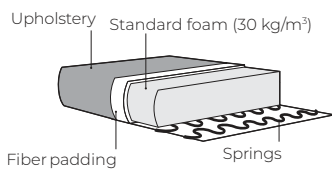
VILMERS

LIVINGSTON

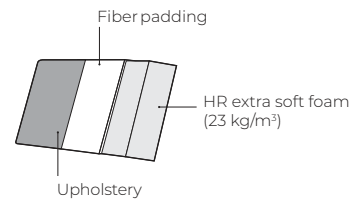
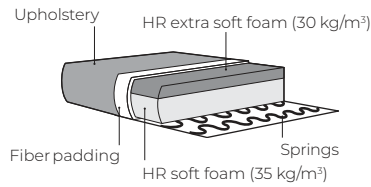


Comfort selection

HARD FOAM



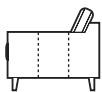
SOFTFOAM



1. Upholstery



Leather*



Fabric

* Leather upholstery may require more stitches than fabric upholstery.

2. Armrests



1

W 23 x D 91 x H 52



2

W 31 x D 91 x H 38



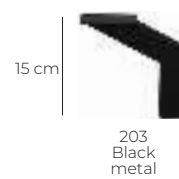
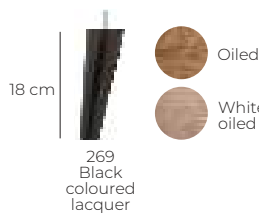
3

W 16 x D 91 x H 45

Armrest 2 function



3. Legs

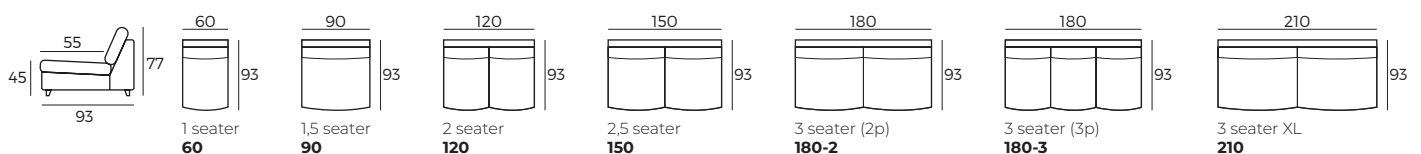


IMPORTANT:

Upholstered furniture is handmade using soft materials, therefore measurements can vary in all modules by up to **+/-2 cm**.
Modules and combinations shown in 2D drawings are left-sided. Modules and combinations can be mirrored from left to right.

Modules (Measurements with 2 armrest)

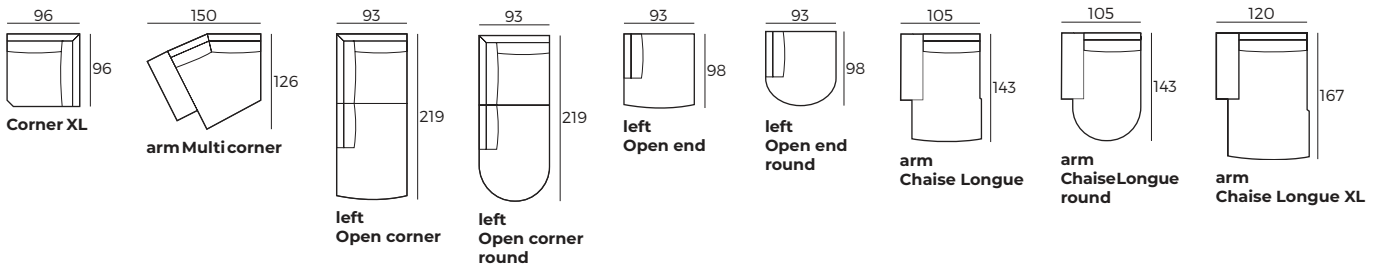
Scale 1:100



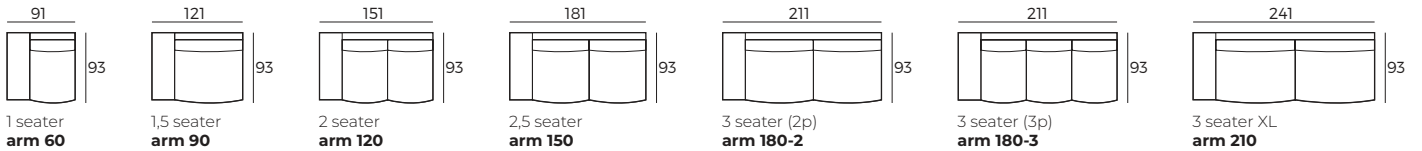
LIVINGSTON

Modules (Measurements with 2 armrest)

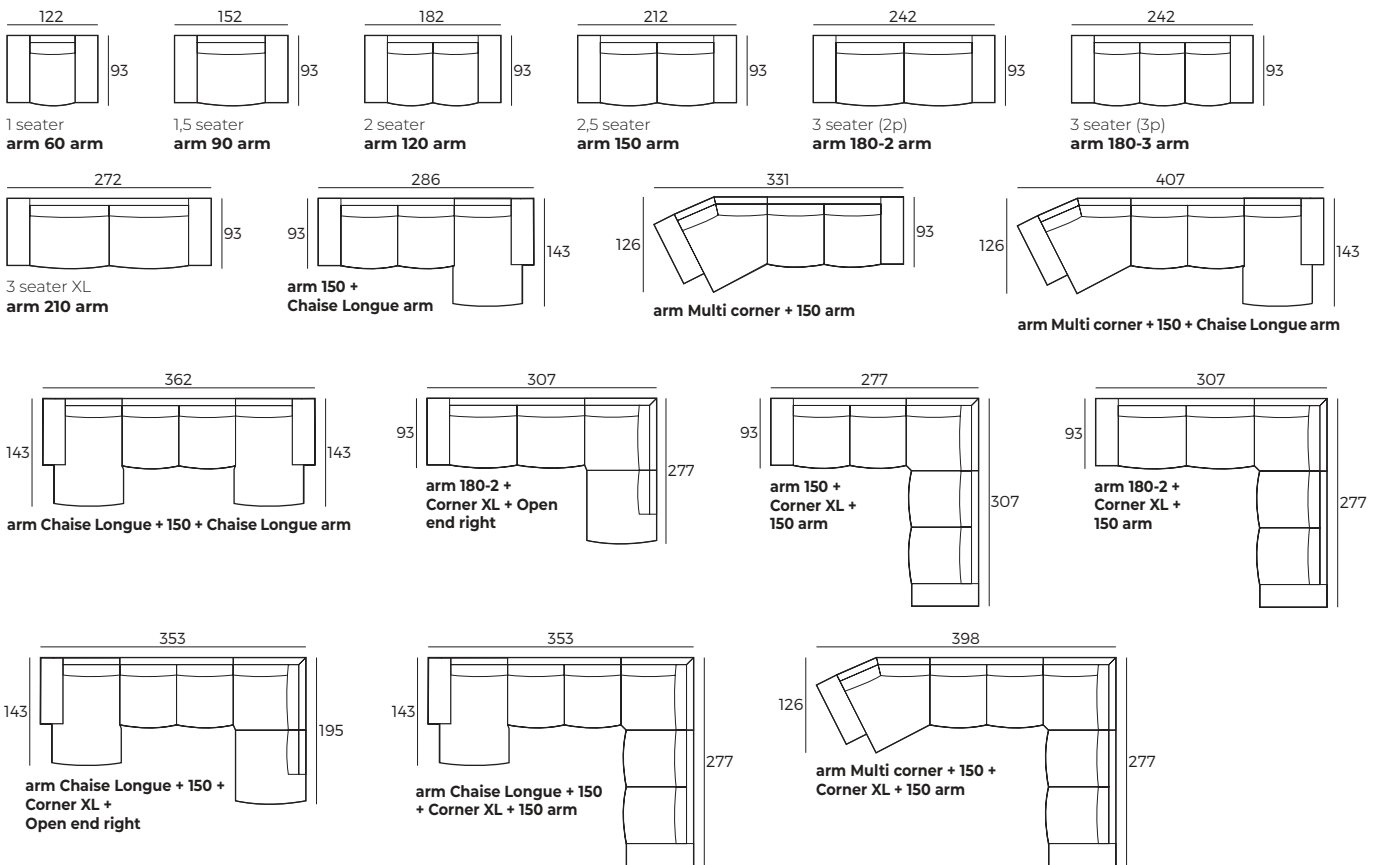
Scale 1:100



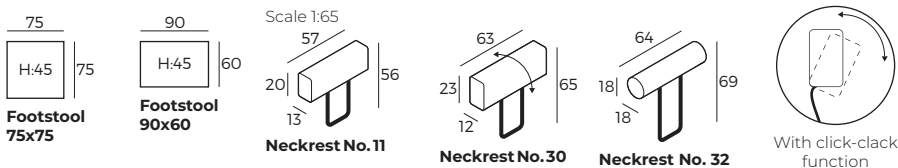
Modules with armrest (Measurements with 2 armrest)



Combinations (Measurements with 2 armrest)



Accessories



LOTUS

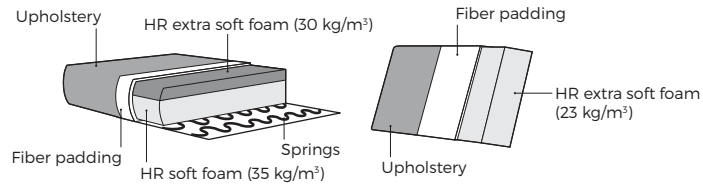


VILMERS

LOTUS



Comfort



1. Upholstery



Fabric

2. Legs

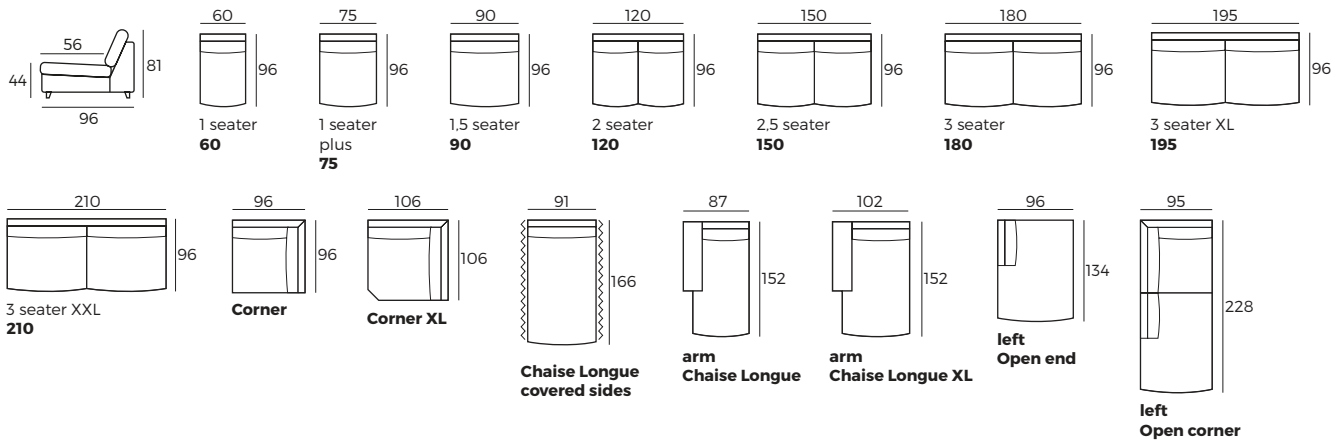


IMPORTANT:

Upholstered furniture is handmade using soft materials, therefore measurements can vary in all modules by up to **+/-2 cm**.
Modules and combinations shown in 2D drawings are left-sided. Modules and combinations can be mirrored from left to right.

Modules

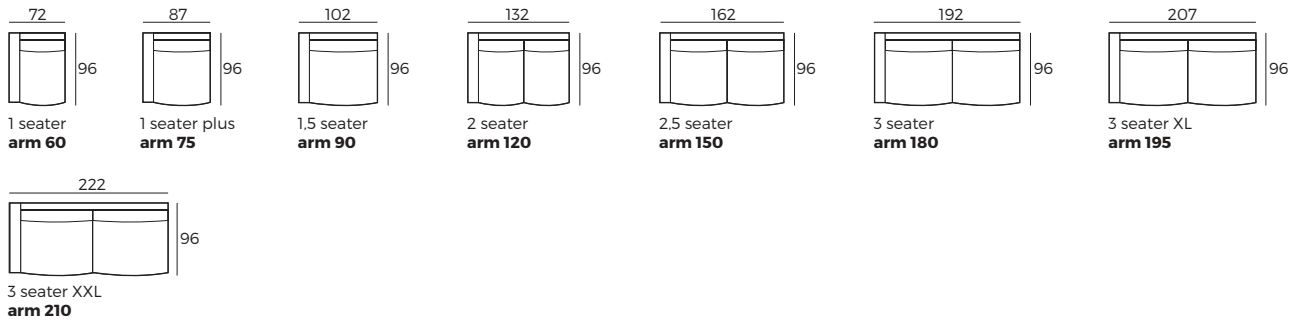
Scale 1:100



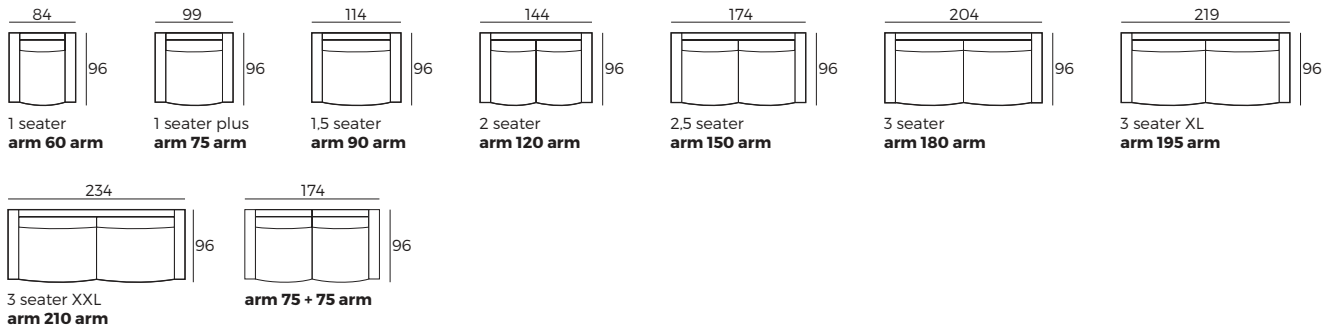
LOTUS

Scale 1:100

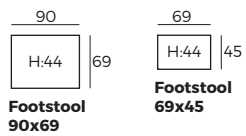
Modules with armrest



Combinations



Accessories



LUPIN

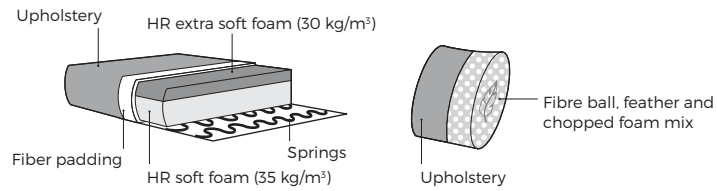


VILMERS

LUPIN



Comfort



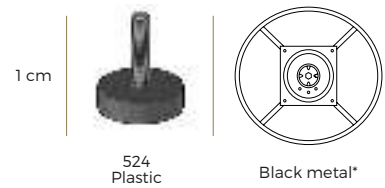
1. Upholstery



2. Rotation function



3. Legs

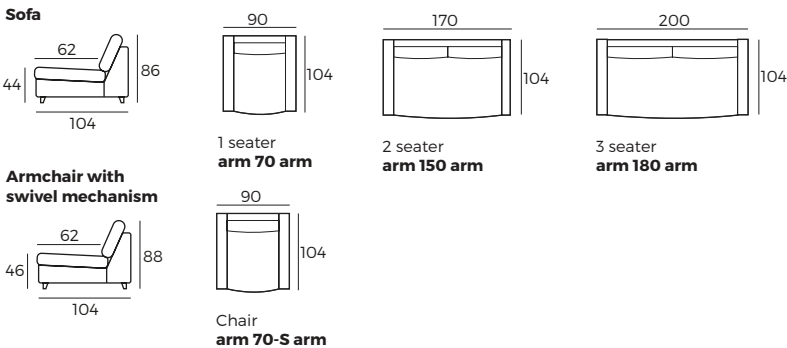


IMPORTANT:

Upholstered furniture is handmade using soft materials, therefore measurements can vary in all modules by up to **+/-2cm**.
 Modules and combinations shown in 2D drawings are left-sided. Modules and combinations can be mirrored from left to right.
 Rotation mechanism only for armchair.

Combinations

Scale 1:100



Accessories



Footstool
75x60

MAISON

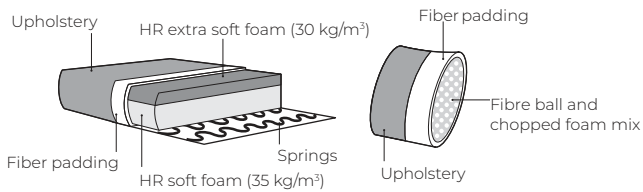


VILMERS

MAISON



Comfort

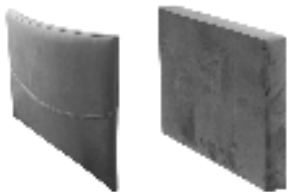


1. Upholstery



* Leather upholstery may require more stitches than fabric upholstery.

2. Armrests



FANCY W 11 x D 90 x H 53
MAISON W 10 x D 90 x H 53

3. Multicolour option



4. Legs

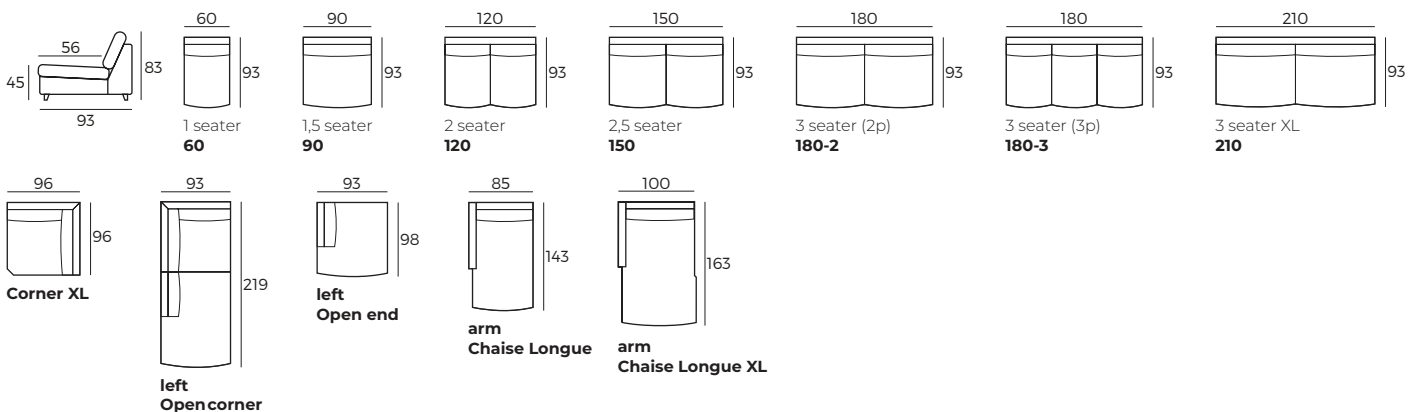


IMPORTANT:

Upholstered furniture is handmade using soft materials, therefore measurements can vary in all modules by up to **+/-2 cm**.
Modules and combinations shown in 2D drawings are left-sided. Modules and combinations can be mirrored from left to right.
For an additional fee, the sides of each seater module can be covered in fabric.

Modules (Measurements with MAISON armrest)

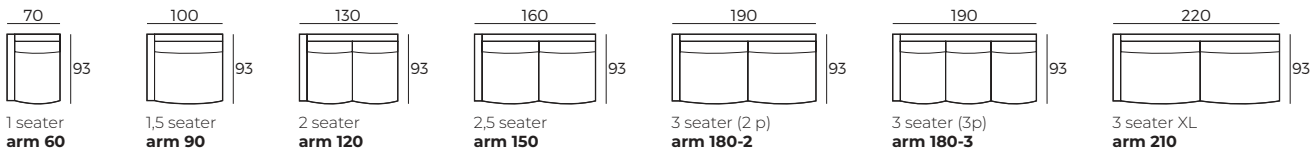
Scale 1:100



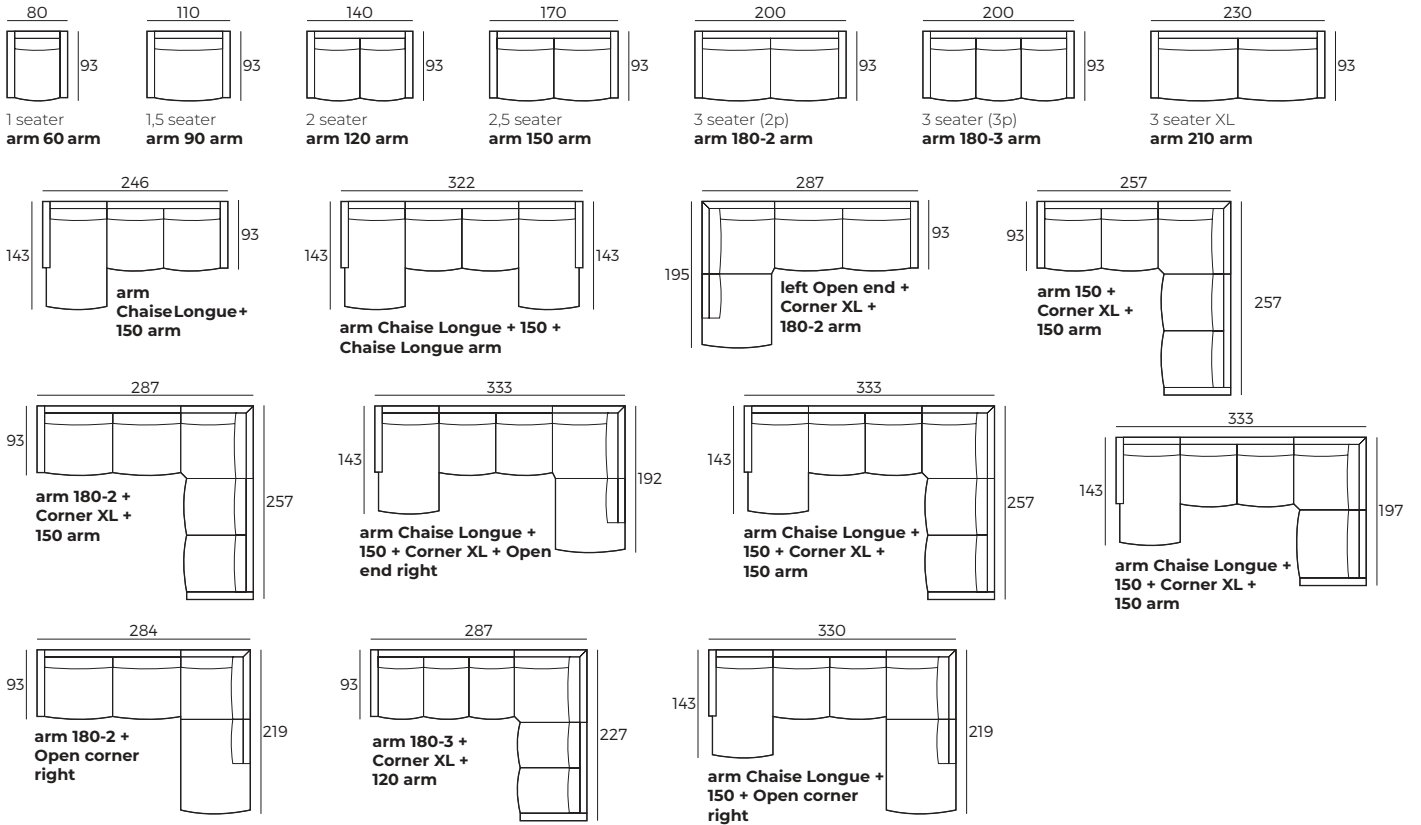
MAISON

Modules with armrest (Measurements with MAISON armrest)

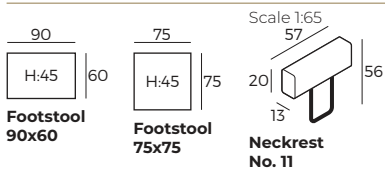
Scale 1:100



Combinations (Measurements with MAISON armrest)



Accessories

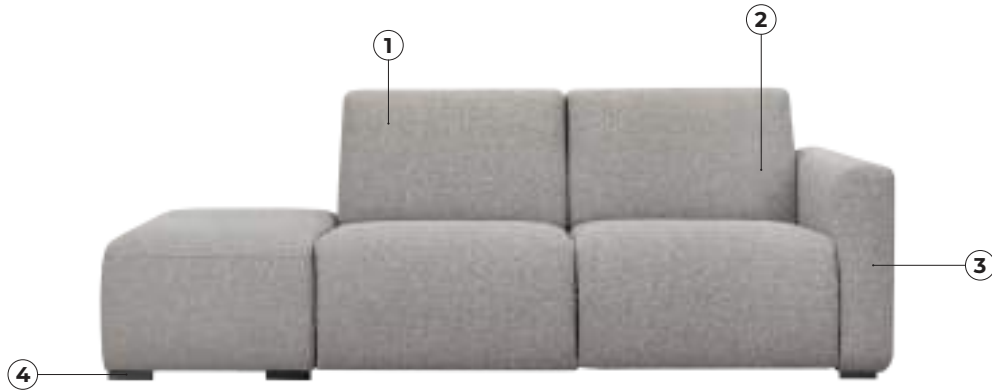


MANTANAS

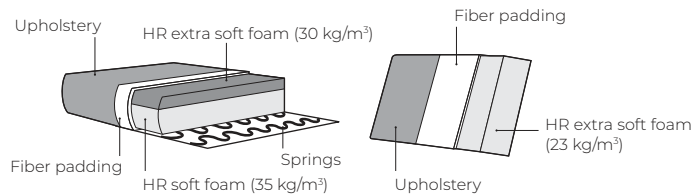


VILMERS

MANTANAS



Comfort



1. Upholstery

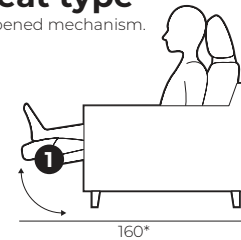


* Leather upholstery may require more stitches than fabric upholstery.

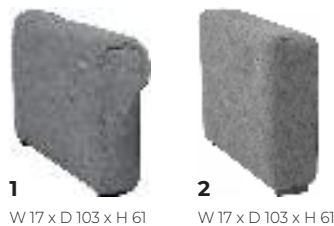
2. Headrest & seat type

* Measurements for fully opened mechanism.

1 Electrical Δ



3. Armrests



1 W 17 x D 103 x H 61

2 W 17 x D 103 x H 61

4. Legs

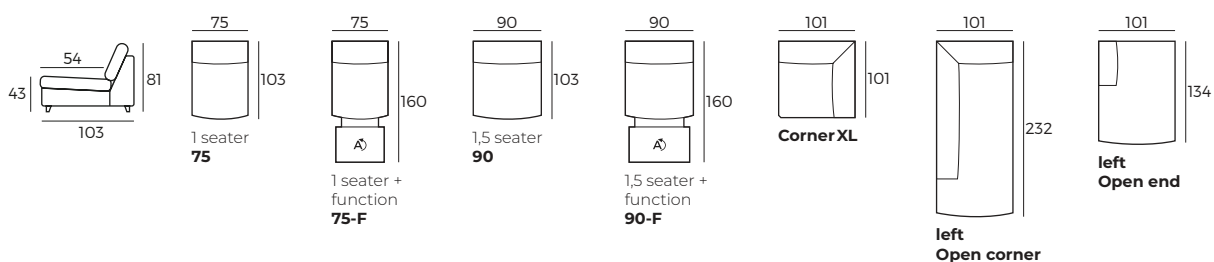


IMPORTANT:

Upholstered furniture is handmade using soft materials, therefore measurements can vary in all modules by up to **+/-2 cm**.
Modules and combinations shown in 2D drawings are left-sided. Modules and combinations can be mirrored from left to right.

Modules

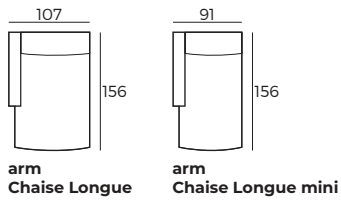
Scale 1:100



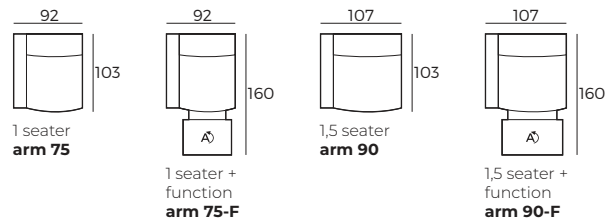
MANTANAS

Scale 1:100

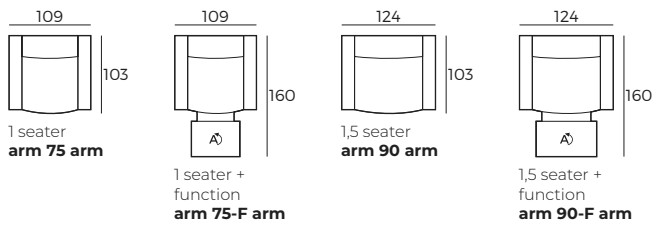
Modules



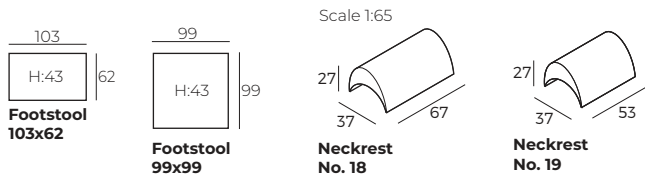
Modules with armrest



Combinations



Accessories



⌚ - electrical *F - single electric function

MEADOW

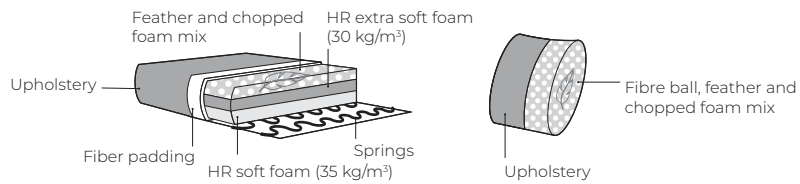


VILMERS

MEADOW



Comfort



1. Upholstery



* Leather upholstery may require more stitches than fabric upholstery.

2. Armrests



1. MORGA
W 28 x D 106 x H 66

2. MOSS
W 35 x D 106 x H 66

3. KNOLL
W 38 x D 106 x H 66

3. Legs

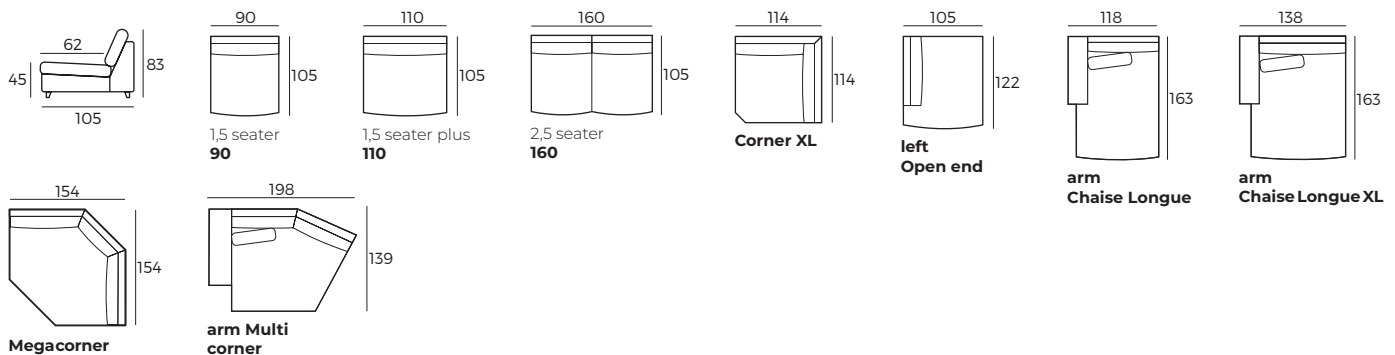


IMPORTANT:

Upholstered furniture is handmade using soft materials, therefore measurements can vary in all modules by up to **+/-2 cm**.
Modules and combinations shown in 2D drawings are left-sided. Modules and combinations can be mirrored from left to right.

Modules (Measurements with MORGA armrest)

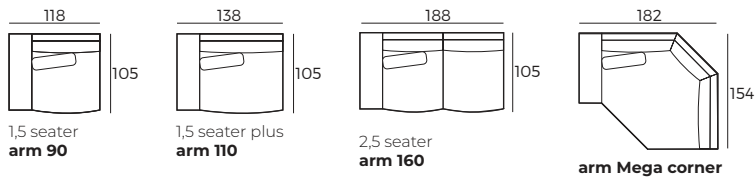
Scale 1:100



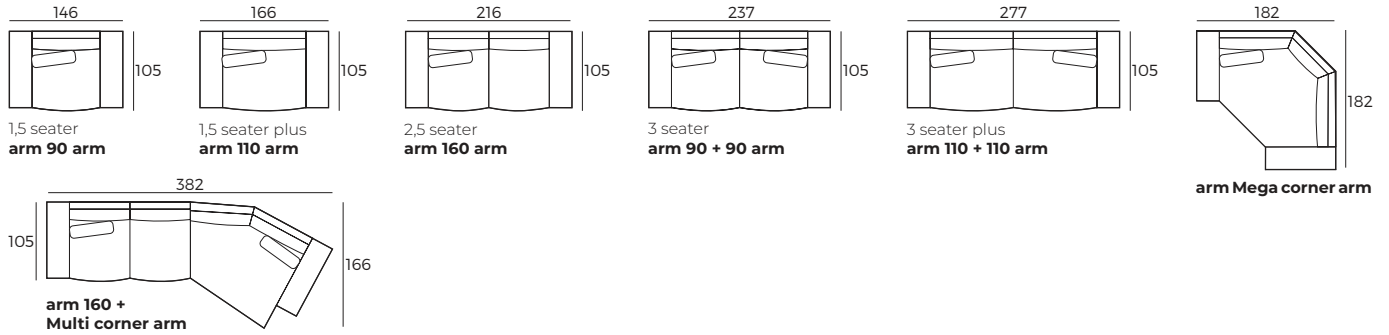
MEADOW

Modules with armrest (Measurements with MORGA armrest)

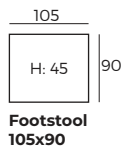
Scale 1:100



Combinations (Measurements with MORGA armrest)



Accessories

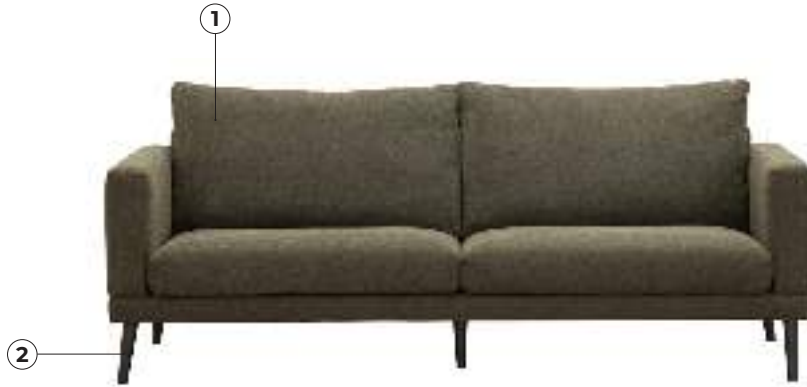


MENSON

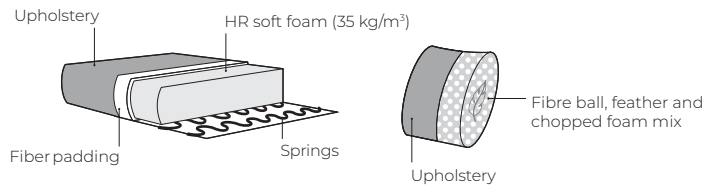


VILMERS

MENSON



Comfort



1. Upholstery



Fabric

2. Legs

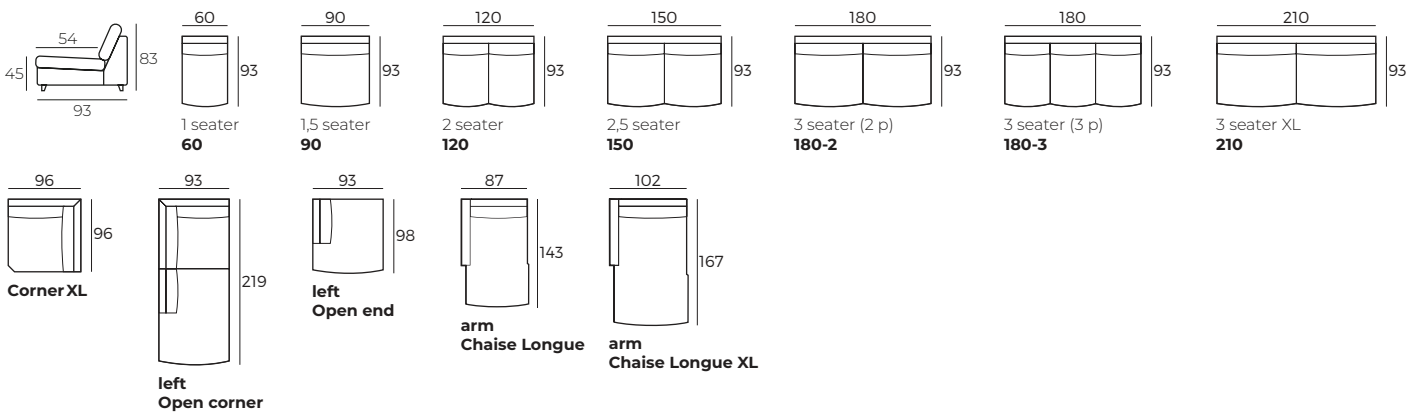


IMPORTANT:

Upholstered furniture is handmade using soft materials, therefore measurements can vary in all modules by up to **+/-2 cm**.
Modules and combinations shown in 2D drawings are left-sided. Modules and combinations can be mirrored from left to right.

Modules

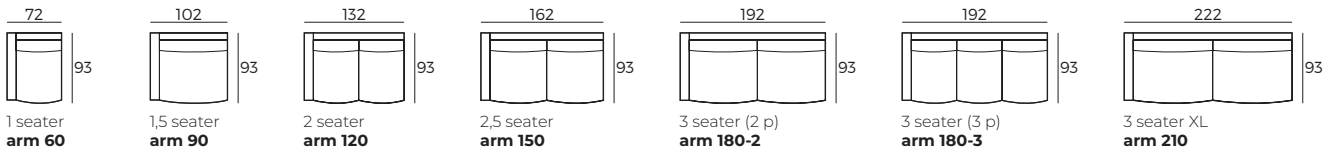
Scale 1:100



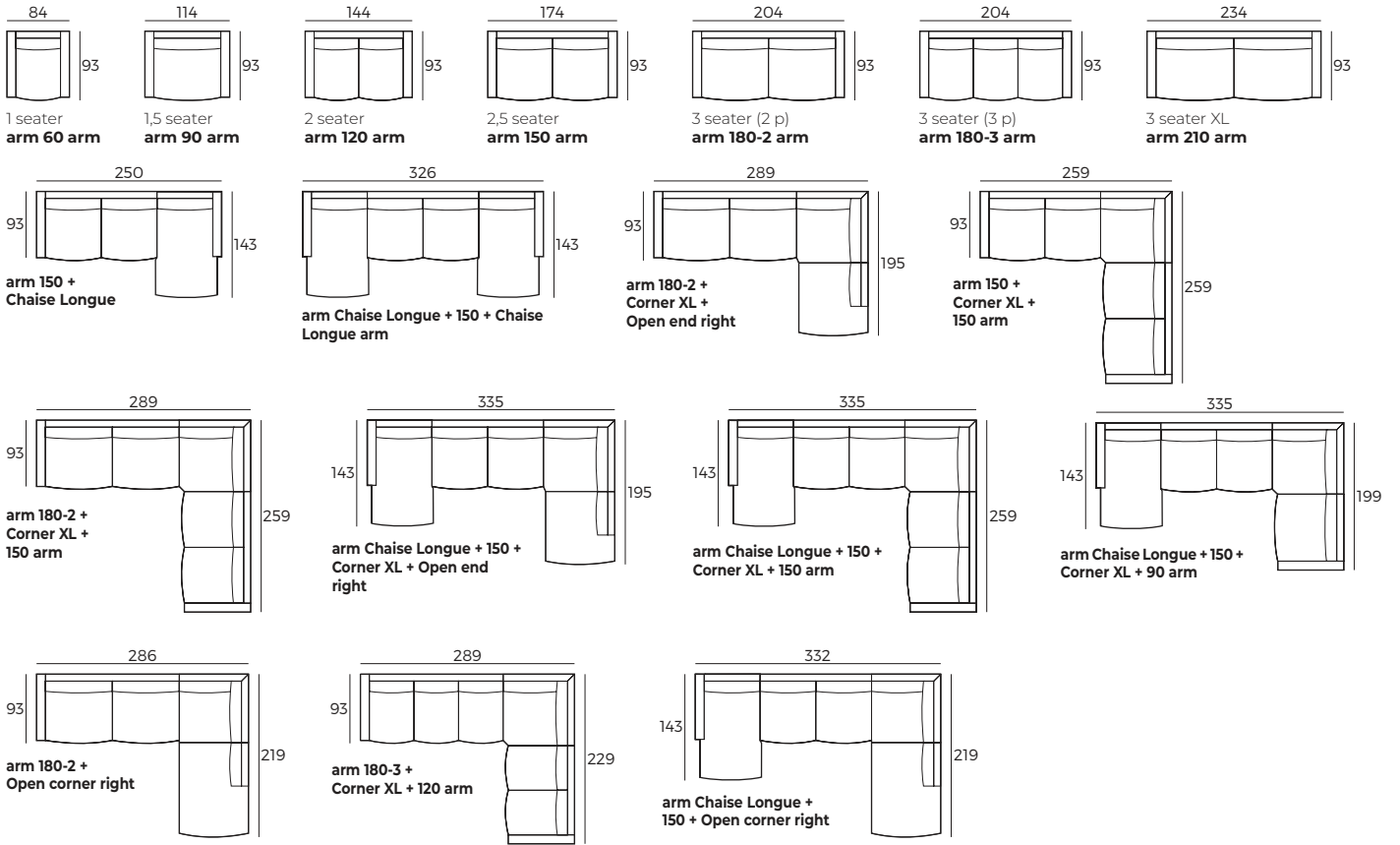
MENSON

Modules with armrest

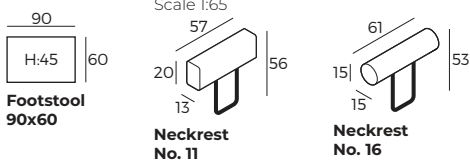
Scale 1:100



Combinations



Accessories



MINE

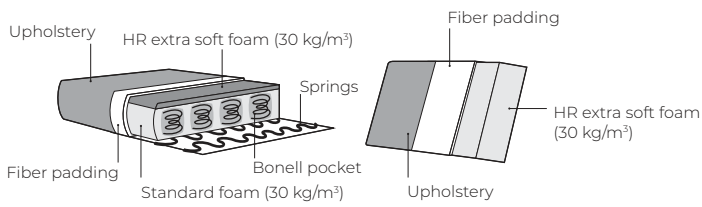


VILMERS

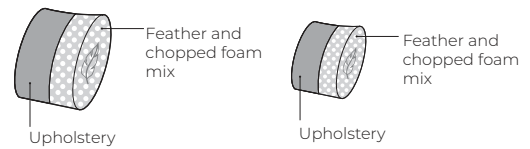
MINE



Comfort



Deco cushions



1. Upholstery



2. Legs

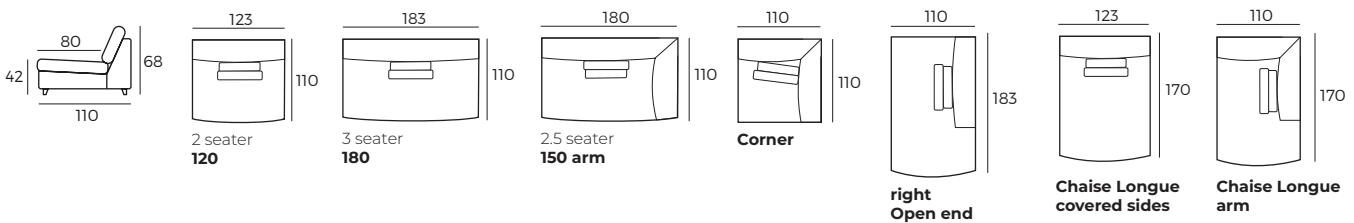


IMPORTANT:

Upholstered furniture is handmade using soft materials, therefore measurements can vary in all modules by up to **+/-2 cm**.
Modules and combinations shown in 2D drawings are left-sided. Modules and combinations can be mirrored from left to right.

Modules

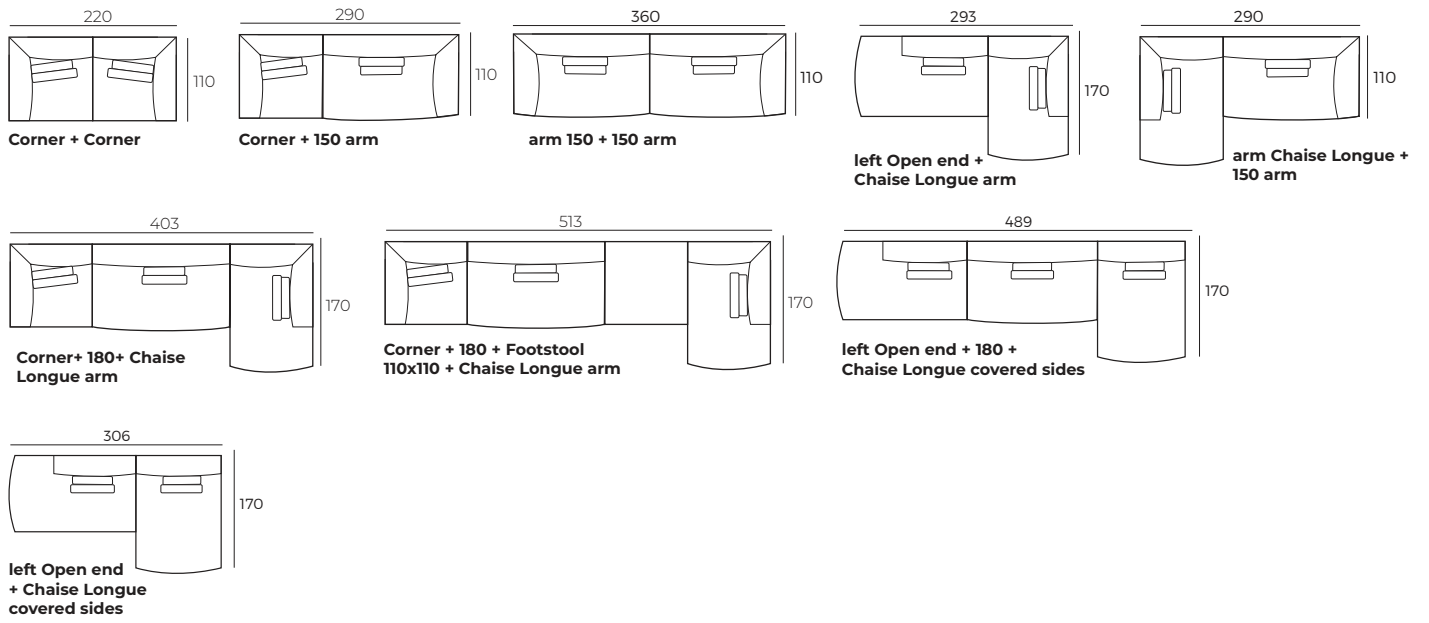
Scale 1:100



MINE

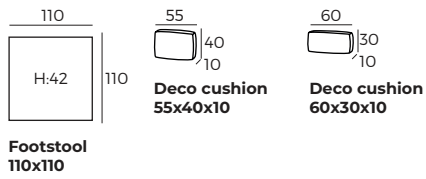
Combinations

Scale 1:100



Accessories

Scale 1:100



MORE

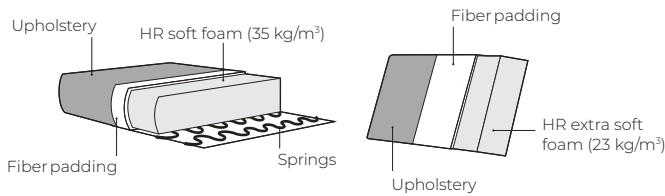


VILMERS

MORE



Comfort



1. Upholstery



* Leather upholstery may require more stitches than fabric upholstery.

2. Armrests

*Not suitable for Chaise Longue

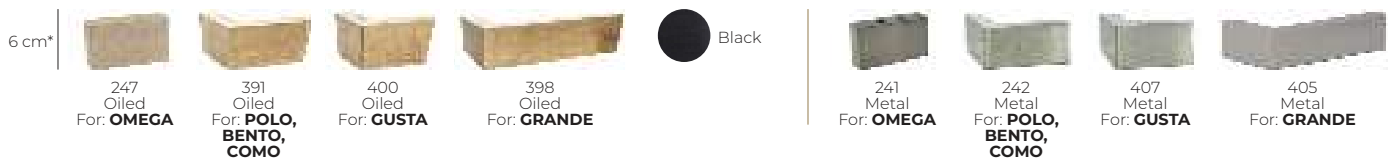


OMEGA* W 3 x D 96 x H 65
POLO W 17 x D 96 x H 60
BENTO W 21 x D 96 x H 59
GUSTA W 22 x D 96 x H 66
COMO W 29 x D 96 x H 56
GRANDE W 31 x D 96 x H 57

3. Multicolour option



4. Legs



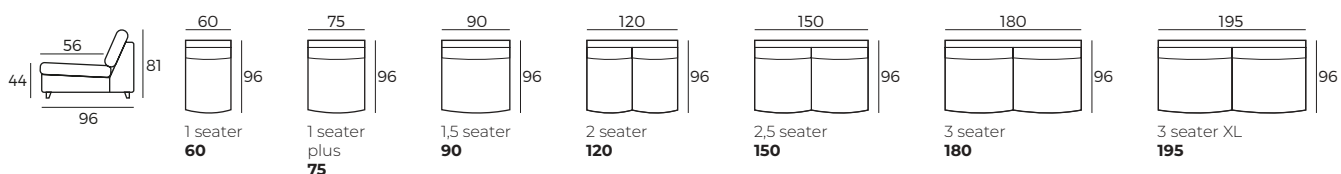
* The height of all legs can be either 6 cm or 8 cm.

IMPORTANT:

Upholstered furniture is handmade using soft materials, therefore measurements can vary in all modules by up to **+/-2 cm**.
 Modules and combinations shown in 2D drawings are left-sided. Modules and combinations can be mirrored from left to right.
 For an additional fee, the sides of each seater module can be covered in fabric.

Modules (Measurements with GRANDE armrest)

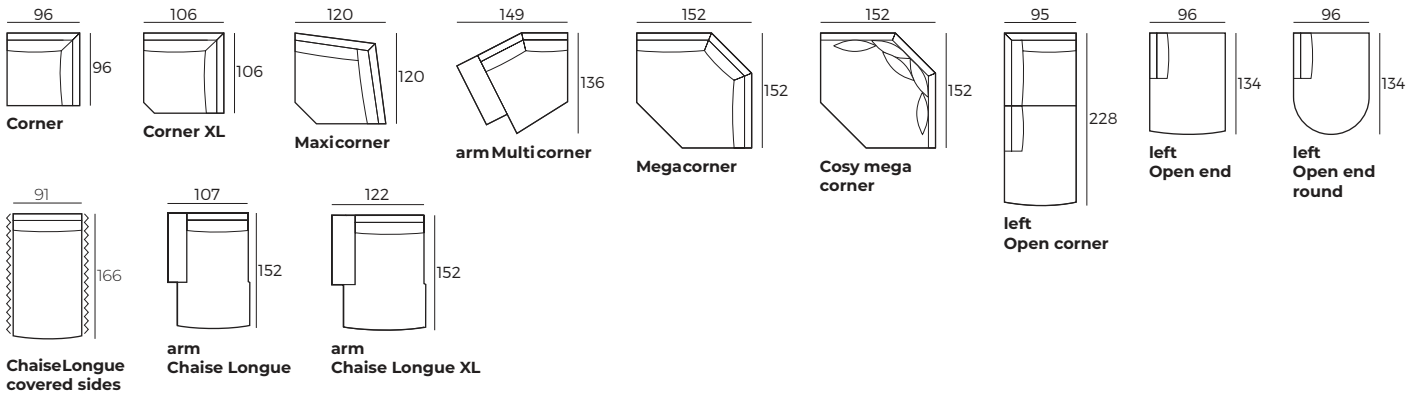
Scale 1:100



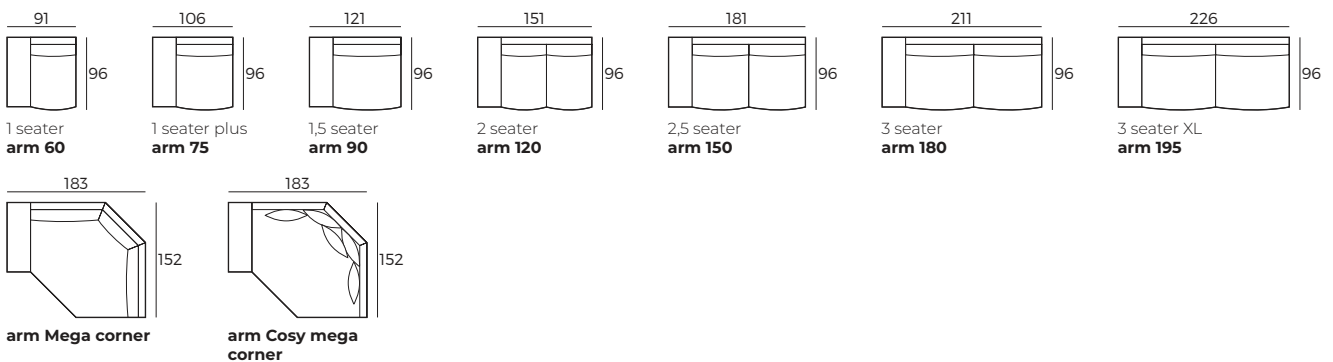
MORE

Modules (Measurements with GRANDE armrest)

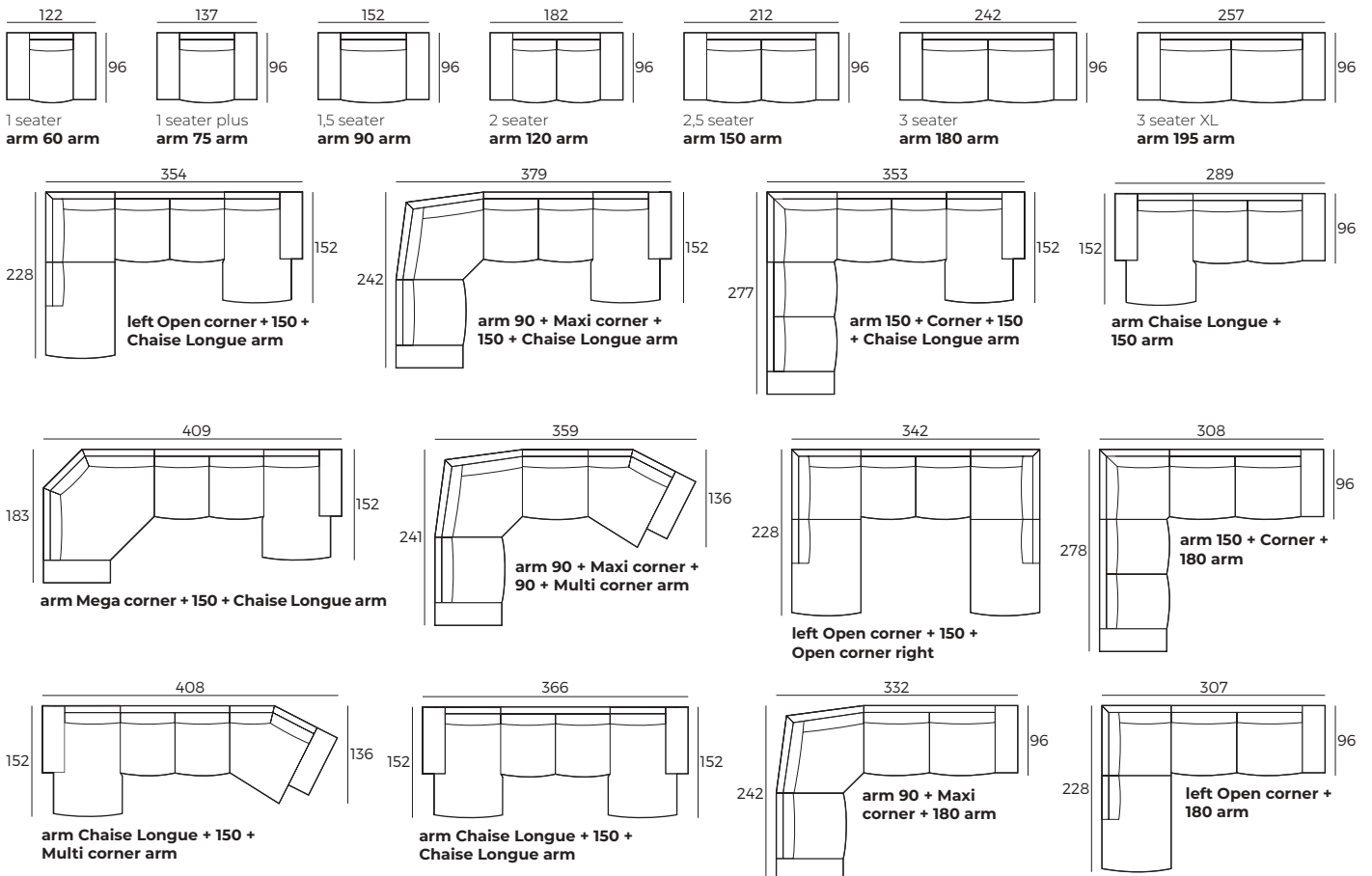
Scale 1:100



Modules with armrest (Measurements with GRANDE armrest)



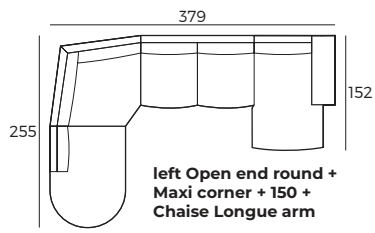
Combinations (Measurements with GRANDE armrest)



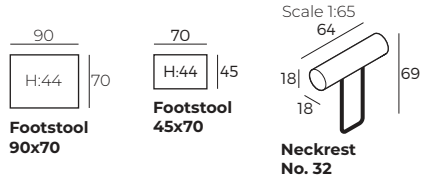
MORE

Combinations (Measurements with GRANDE armrest)

Scale 1:100



Accessories

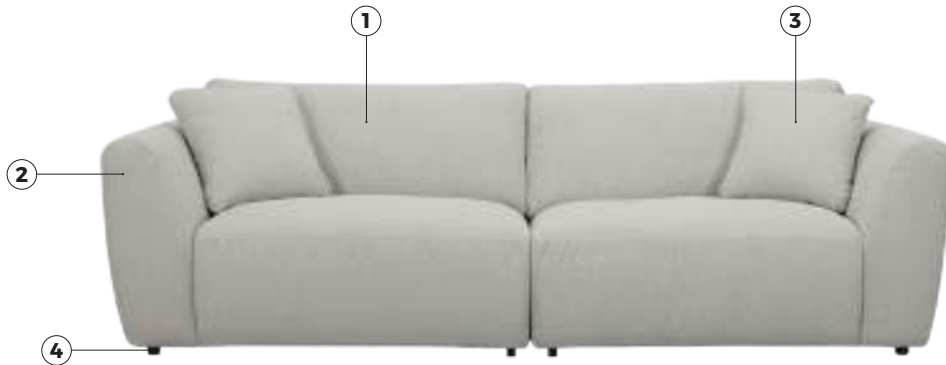


MORGA

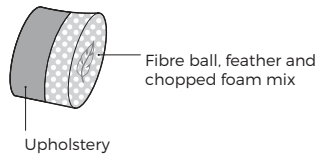
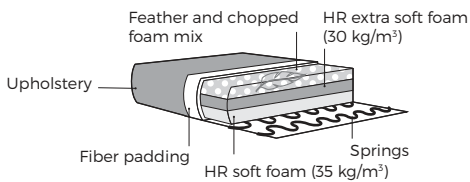


VILMERS

MORGA



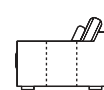
Comfort



1. Upholstery



Leather



Fabric



* Leather upholstery may require more stitches than fabric upholstery.

2. Armrests



1. MORGA
W 28 x D 106 x H 66



2. MOSS
W 35 x D 106 x H 66



3. KNOLL
W 38 x D 106 x H 66

3. Multicolour option



4. Legs

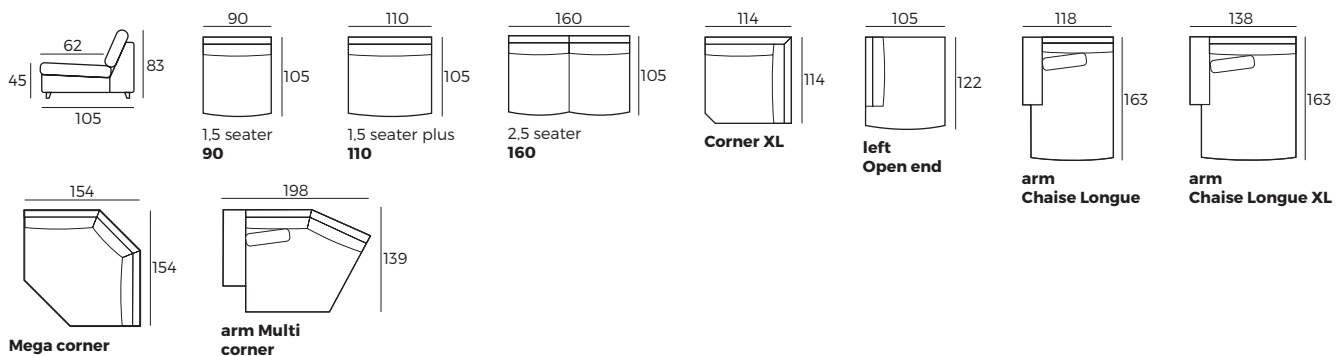


IMPORTANT:

Upholstered furniture is handmade using soft materials, therefore measurements can vary in all modules by up to **+/-2 cm**.
Modules and combinations shown in 2D drawings are left-sided. Modules and combinations can be mirrored from left to right.

Modules (Measurements with MORGA armrest)

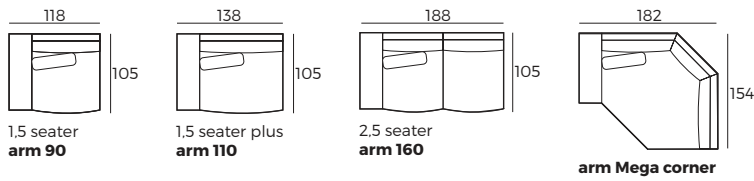
Scale 1:100



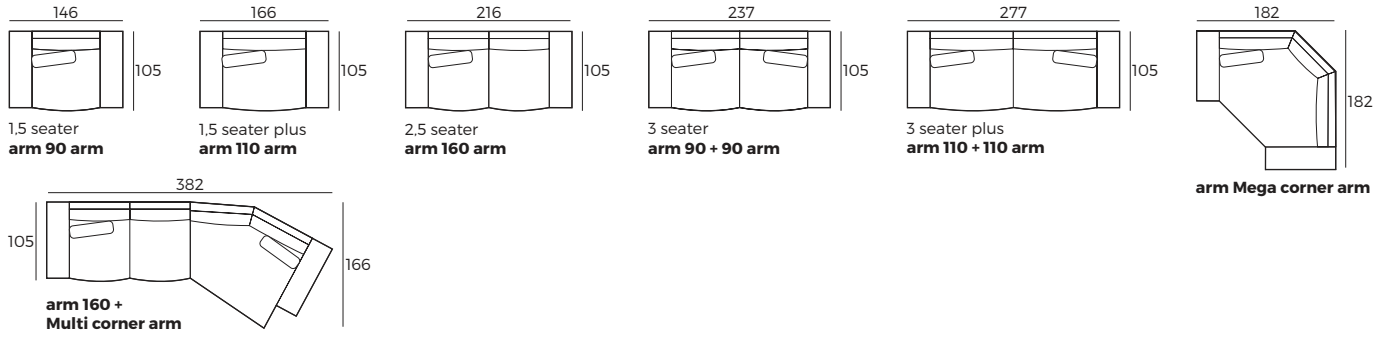
MORGA

Modules with armrest (Measurements with MORGA armrest)

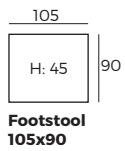
Scale 1:100



Combinations (Measurements with MORGA armrest)



Accessories



MOUND

by BÖTTCHER & KAYSER



VILMERS

vilmers.com

1. REMOVABLE COVER



Rest Assured

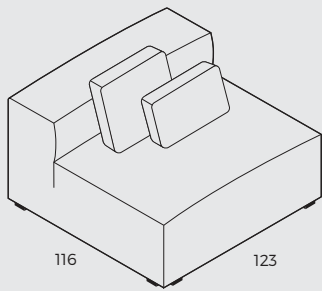
*All modules have removable and replaceable covers.

The MOUND sofa is our new, loft style sofa designed by Böttcher & Kayser. This luxurious and sophisticated sofa has low reclining backrests, 120 cm deep lounge seating, fully foam covered frame with a feathered top for extra comfort and removable covers. Designed for comfort, made to last.

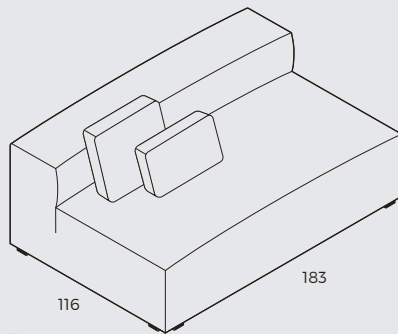
Scale 1:50

2. MODULES

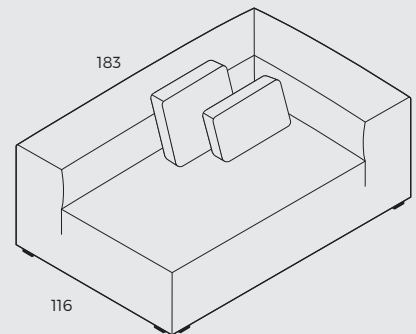
IMPORTANT:
Upholstered furniture is handmade using soft materials, therefore measurements can vary in all modules by up to **+/- 2cm**.
Modules and combinations shown in 2D drawings are left-sided. Modules and combinations can be mirrored from left to right.



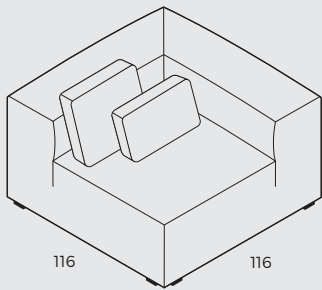
2 seater
120



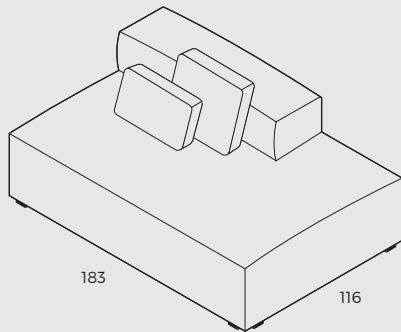
3 seater
180



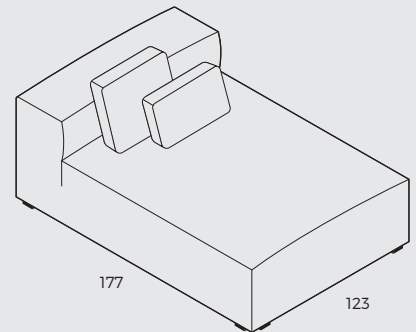
2.5 seater
arm **150**



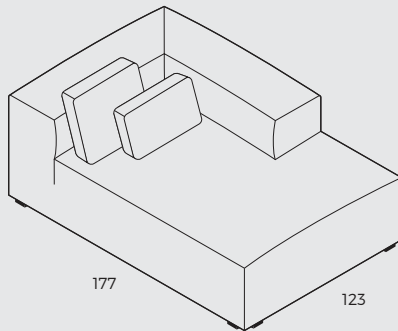
Corner



Open end
right



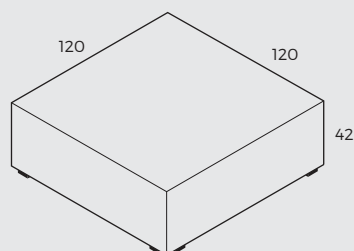
Chaise Longue
covered sides



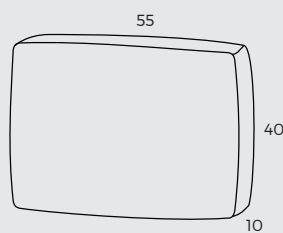
Chaise Longue arm

Rest Assured

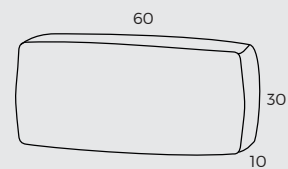
3. ACCESSORIES



Footstool
120x120

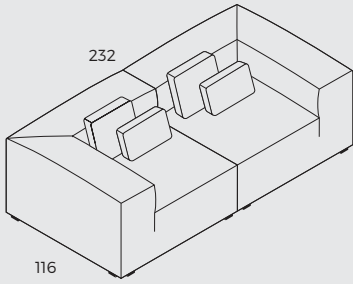


Deco cushion
55x40x10

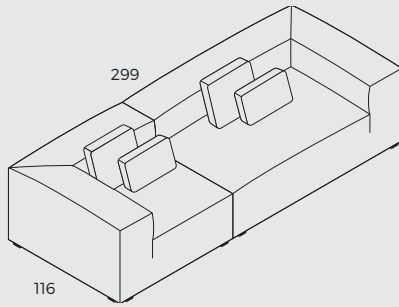


Deco cushion
60x30x10

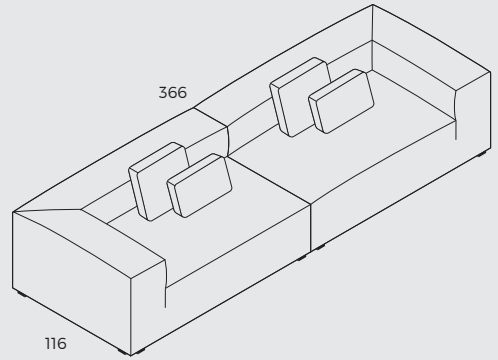
4. COMBINATIONS



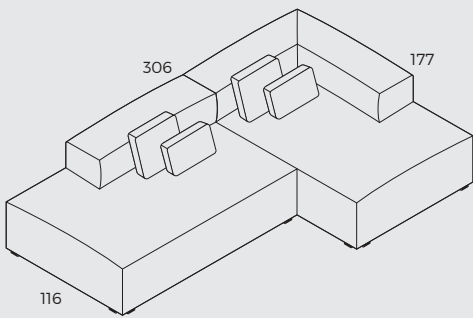
Corner + Corner



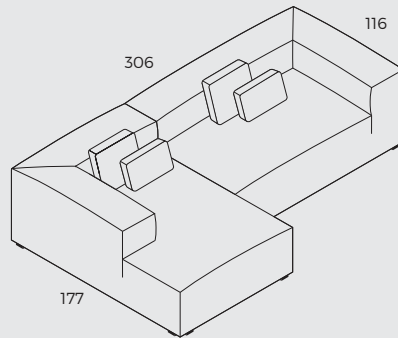
Corner + 150 arm



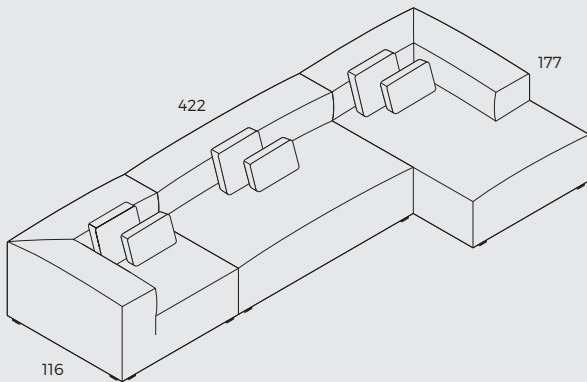
arm 150 + 150 arm



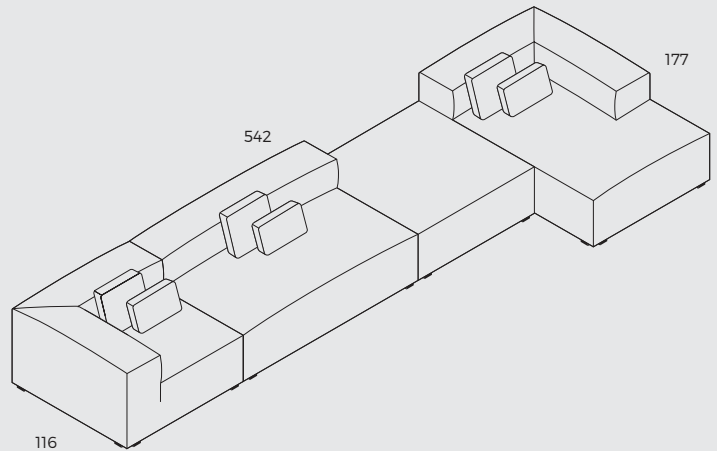
left Open end + Chaise Longue arm



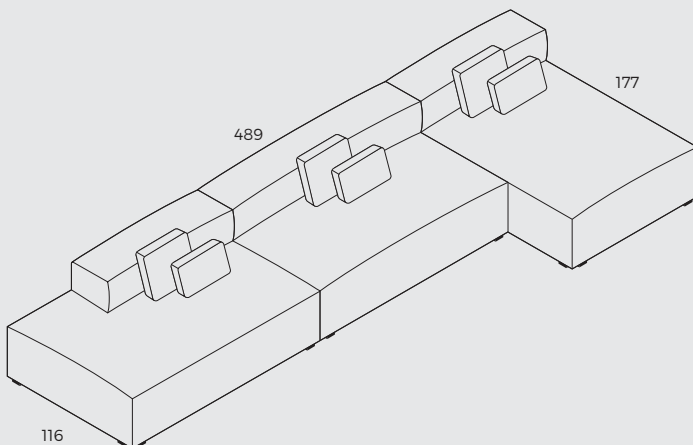
arm Chaise Longue + 150 arm



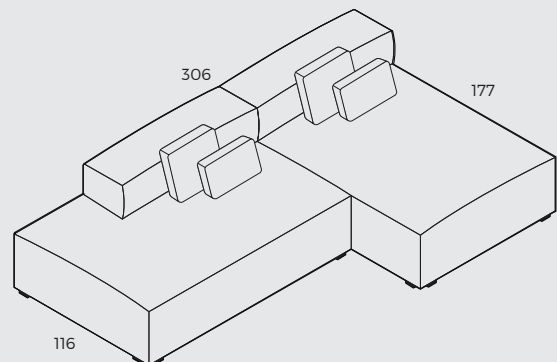
Corner + 180 + Chaise Longue arm



Corner + 180 + Footstool 120x120 + Chaise Longue arm



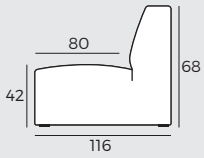
left Open end + 180 + Chaise Longue covered sides



left Open end + Chaise Longue covered sides

5. TECHNICAL DATA

Measurements



Legs



Plastic black
3 cm

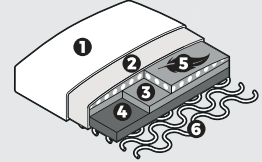
Upholstery



Fabric

Comfort

1. Upholstery.
2. Fiber padding.
3. HR extra soft foam (30 kg/m³).
4. HR soft foam (35 kg/m³).
5. Chopped foam mix and feathers.
6. Springs.



Rest Assured

6. DESIGNERS



"Design means everyday culture. It helps us to enjoy and simplify life. We are fascinated by the process that starts with an idea, becomes substance and hopefully results in a long and pleasurable use for its qualities. That's how we understand reasonability and sustainability."

Berlin based designers
BÖTTCHER & KAYSER

MOUNTAIN

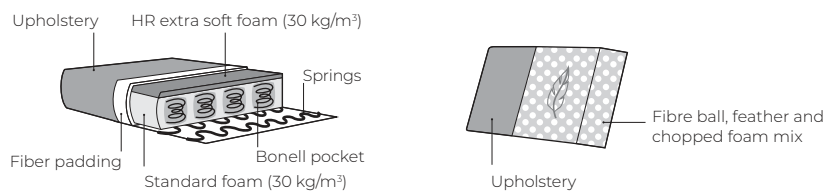


VILMERS

MOUNTAIN



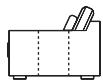
Comfort



1. Upholstery



Leather*



Fabric

2. Legs



Plastic black

3. Choose cushions size



Cushion **B**
H:48



Cushion **P**
H:56

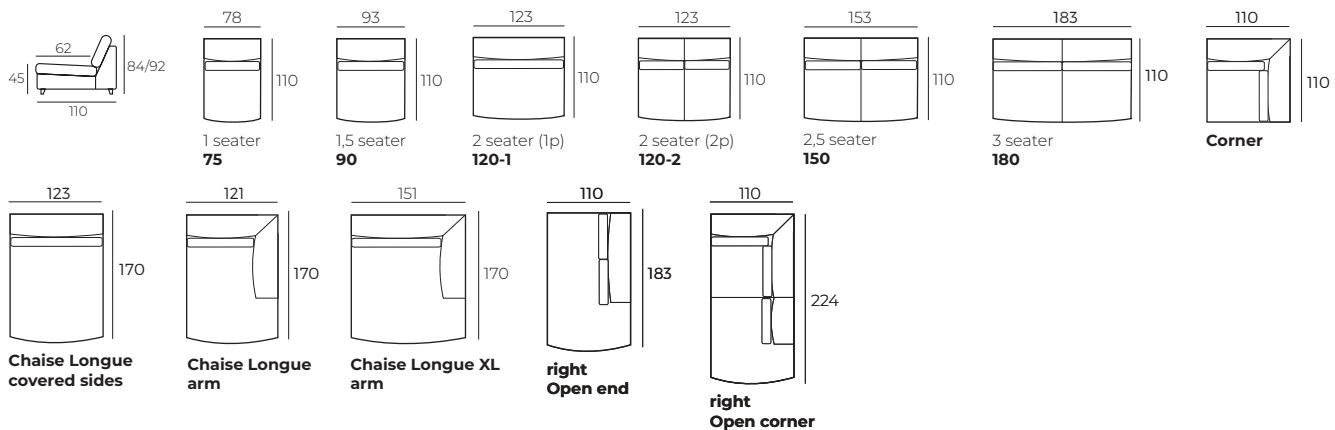
* Leather upholstery may require more stitches than fabric upholstery.

IMPORTANT:

Upholstered furniture is handmade using soft materials, therefore measurements can vary in all modules by up to **+/-2 cm**.
Modules and combinations shown in 2D drawings are left-sided. Modules and combinations can be mirrored from left to right.

Modules

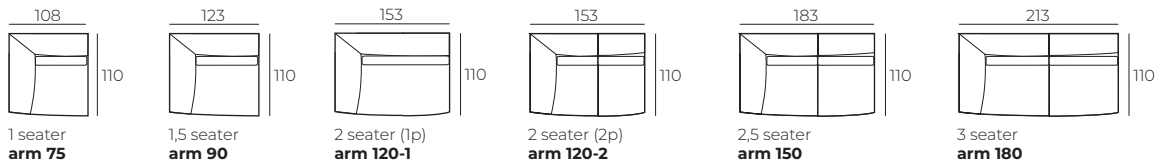
Scale 1:100



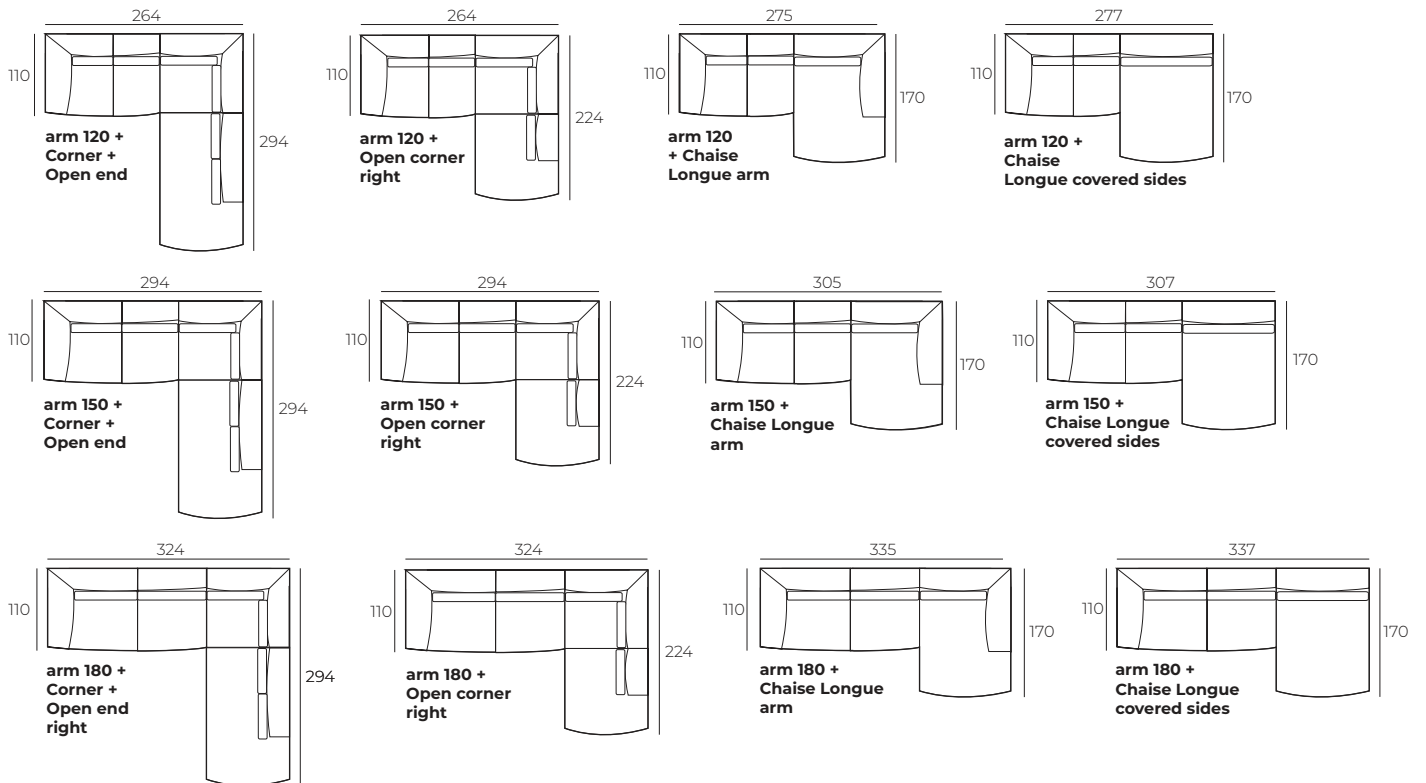
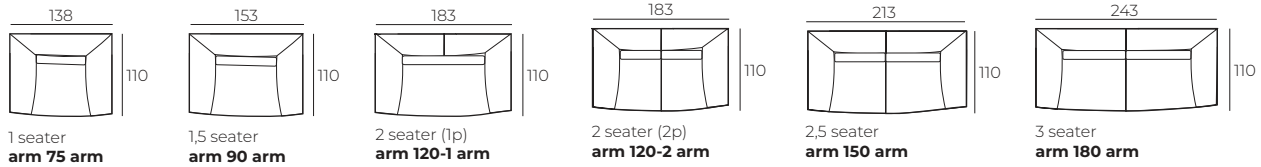
MOUNTAIN

Scale 1:100

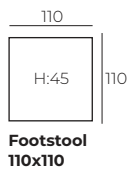
Modules with armrest



Combinations



Accessories



NORDIC PLUS

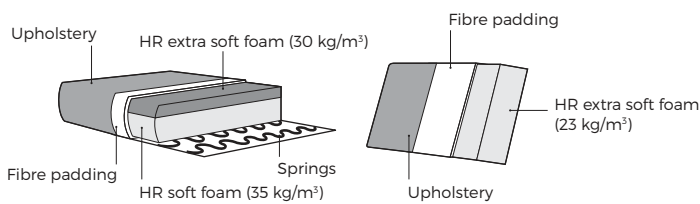


VILMERS

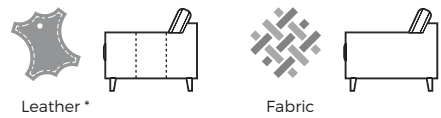
NORDIC PLUS



Comfort



1. Upholstery



* Leather upholstery may require more stitches than fabric upholstery.

2. Armrests



STYLE W 9 x D 90 x H 53 **SLIM** W 9 x D 90 x H 53 **FANCY** W 11 x D 90 x H 53 **LESS** W 12 x D 90 x H 48 **POLO** W 13 x D 90 x H 53 **SHARE** W 16 x D 90 x H 48 **DUO** W 20 x D 90 x H 53 **EVO** W 20 x D 90 x H 49 **OMEGA*** W 3 x D 90 x H 53

3. Legs

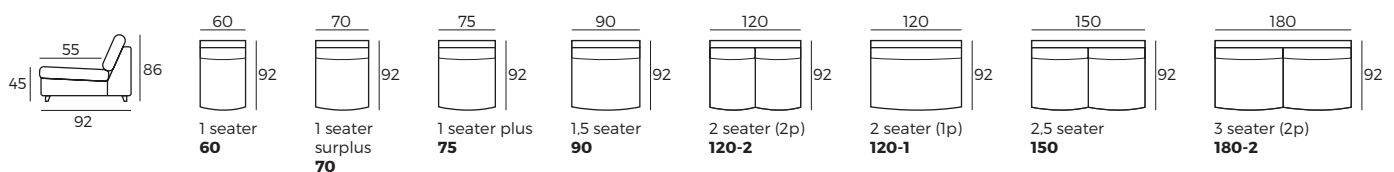


IMPORTANT:

Upholstered furniture is handmade using soft materials, therefore measurements can vary in all modules by up to **+/-2 cm**.
 Modules and combinations shown in 2D drawings are left-sided. Modules and combinations can be mirrored from left to right.
 For an additional fee, the sides of each seater module can be covered in fabric.

Modules (Measurements with SHARE armrest)

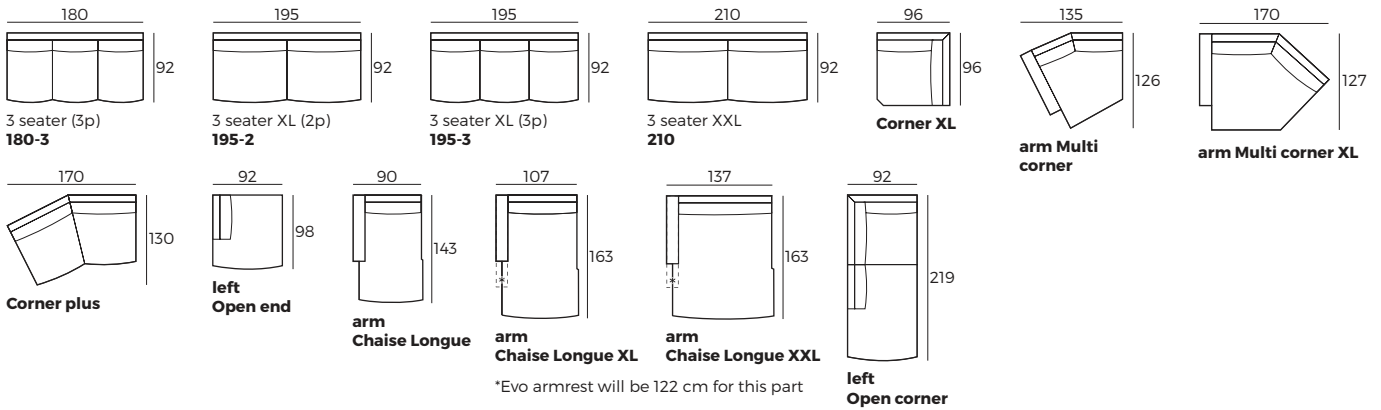
Scale 1:100



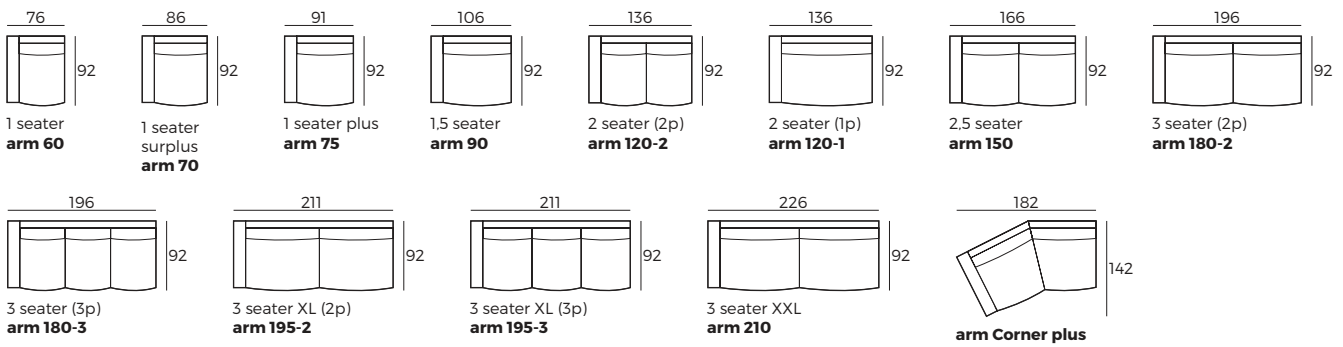
NORDIC PLUS

Modules (Measurements with SHARE armrest)

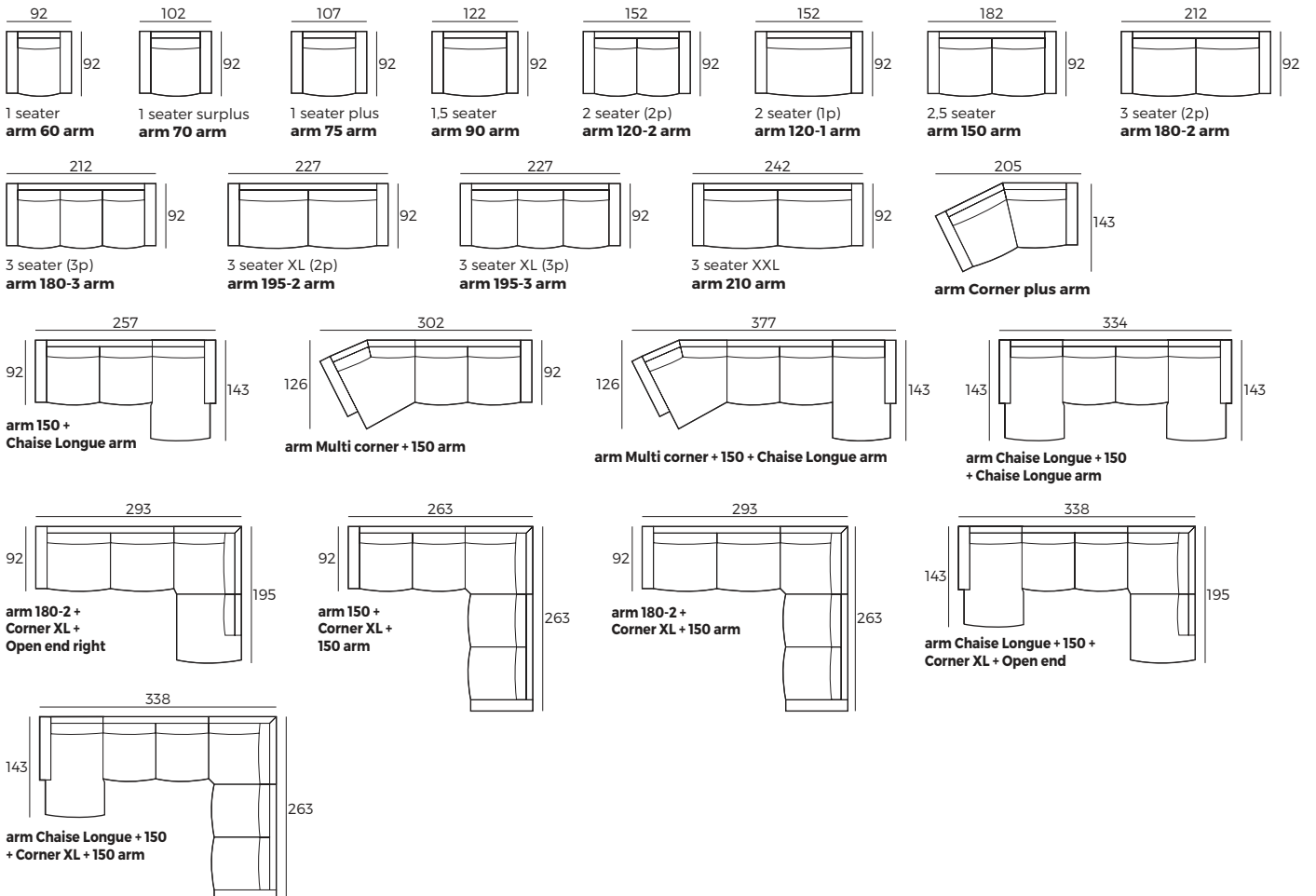
Scale 1:100



Modules with armrest (Measurements with SHARE armrest)



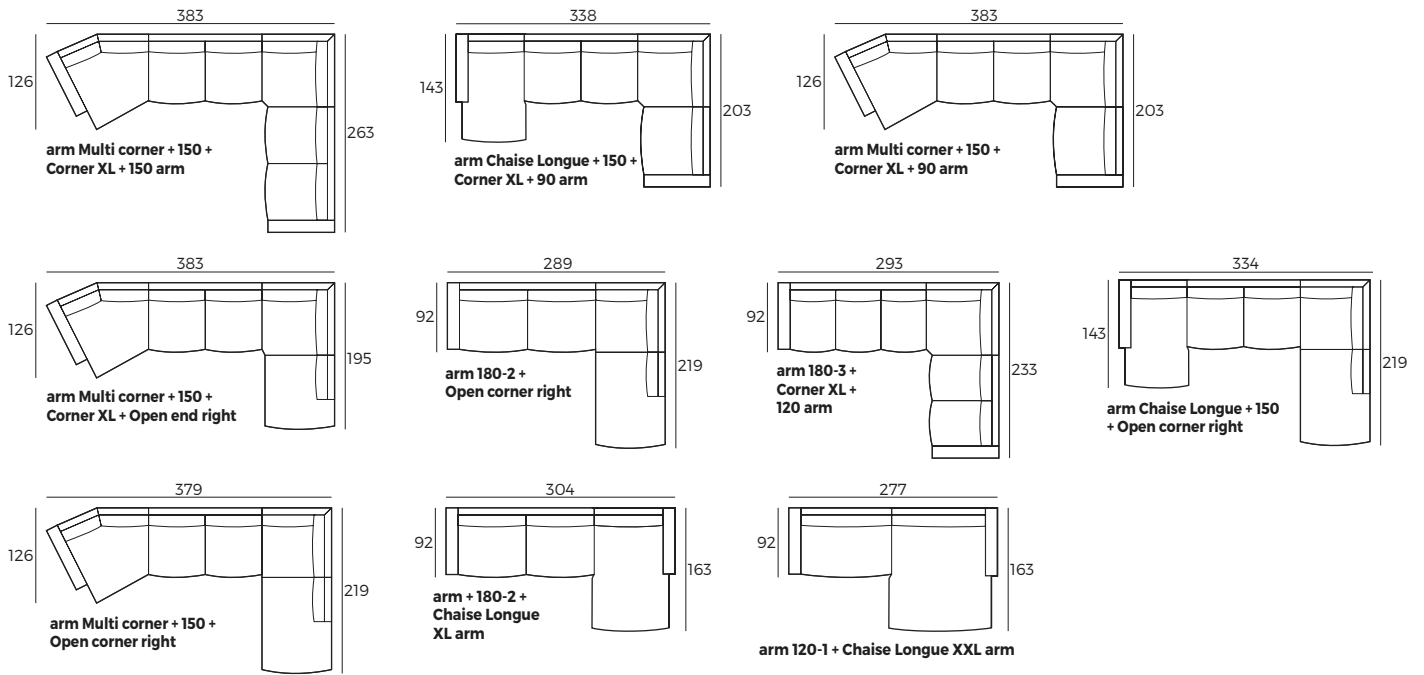
Combinations (Measurements with SHARE armrest)



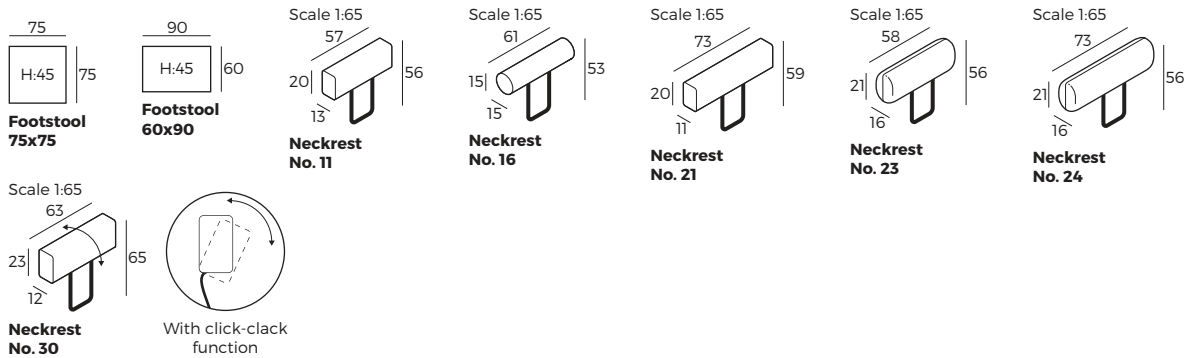
NORDIC PLUS

Combinations (Measurements with SHARE armrest)

Scale 1:100



Accessories



NORDIC



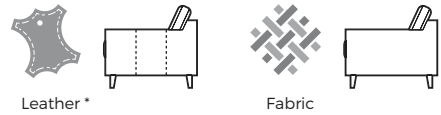
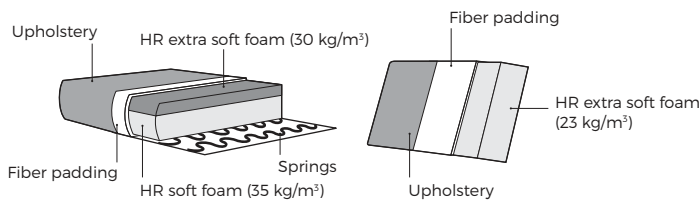
VILMERS

NORDIC



Comfort

1. Upholstery



* Leather upholstery may require more stitches than fabric upholstery.

2. Armrests



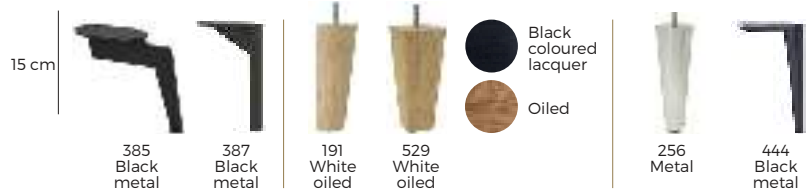
STYLE W 9 x D 90 x H 53 **SLIM** W 9 x D 90 x H 53 **FANCY** W 11 x D 90 x H 53 **LESS** W 12 x D 90 x H 48 **POLO** W 13 x D 90 x H 53 **SHARE** W 16 x D 90 x H 48 **DUO** W 20 x D 90 x H 53 **EVO** W 20 x D 90 x H 49 **OMEGA*** W 3 x D 90 x H 53

*Not suitable for Chaise Longue

3. Multicolour option



4. Legs

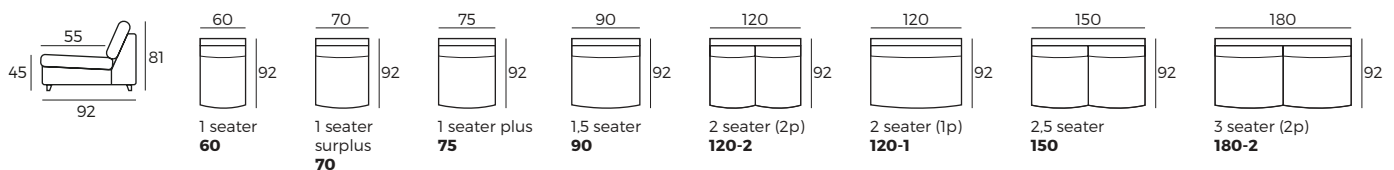


IMPORTANT:

Upholstered furniture is handmade using soft materials, therefore measurements can vary in all modules by up to **+/-2 cm**.
 Modules and combinations shown in 2D drawings are left-sided. Modules and combinations can be mirrored from left to right.
 For an additional fee, the sides of each seater module can be covered in fabric.

Modules (Measurements with SHARE armrest)

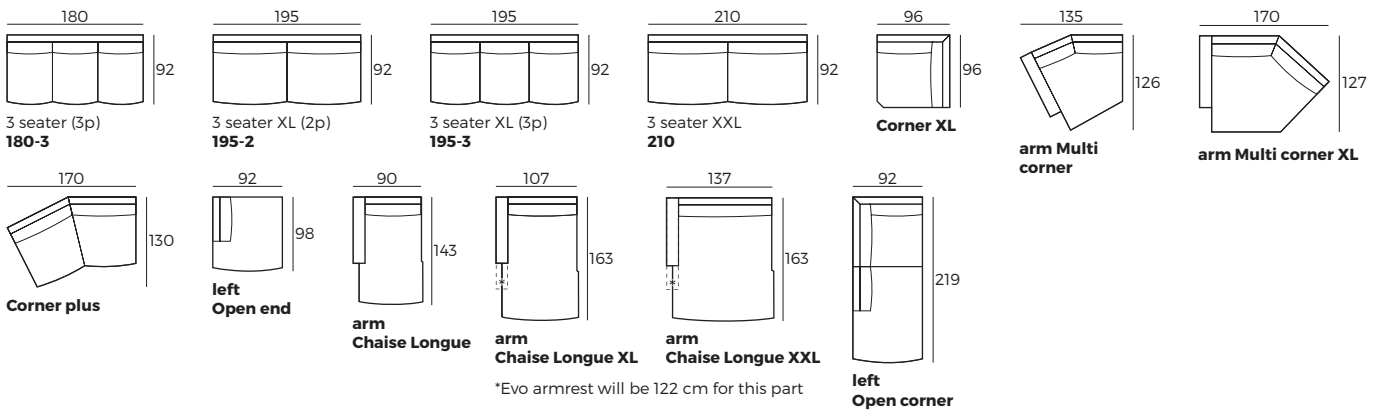
Scale 1:100



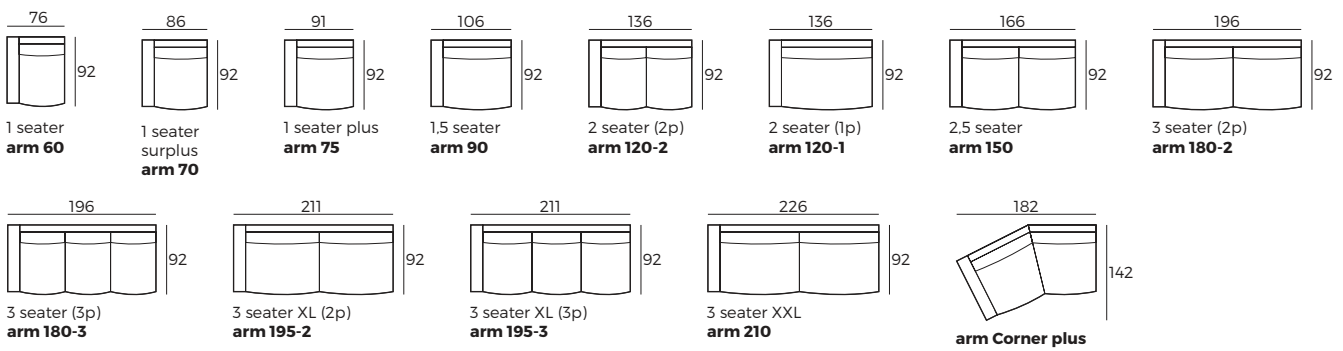
NORDIC

Modules (Measurements with SHARE armrest)

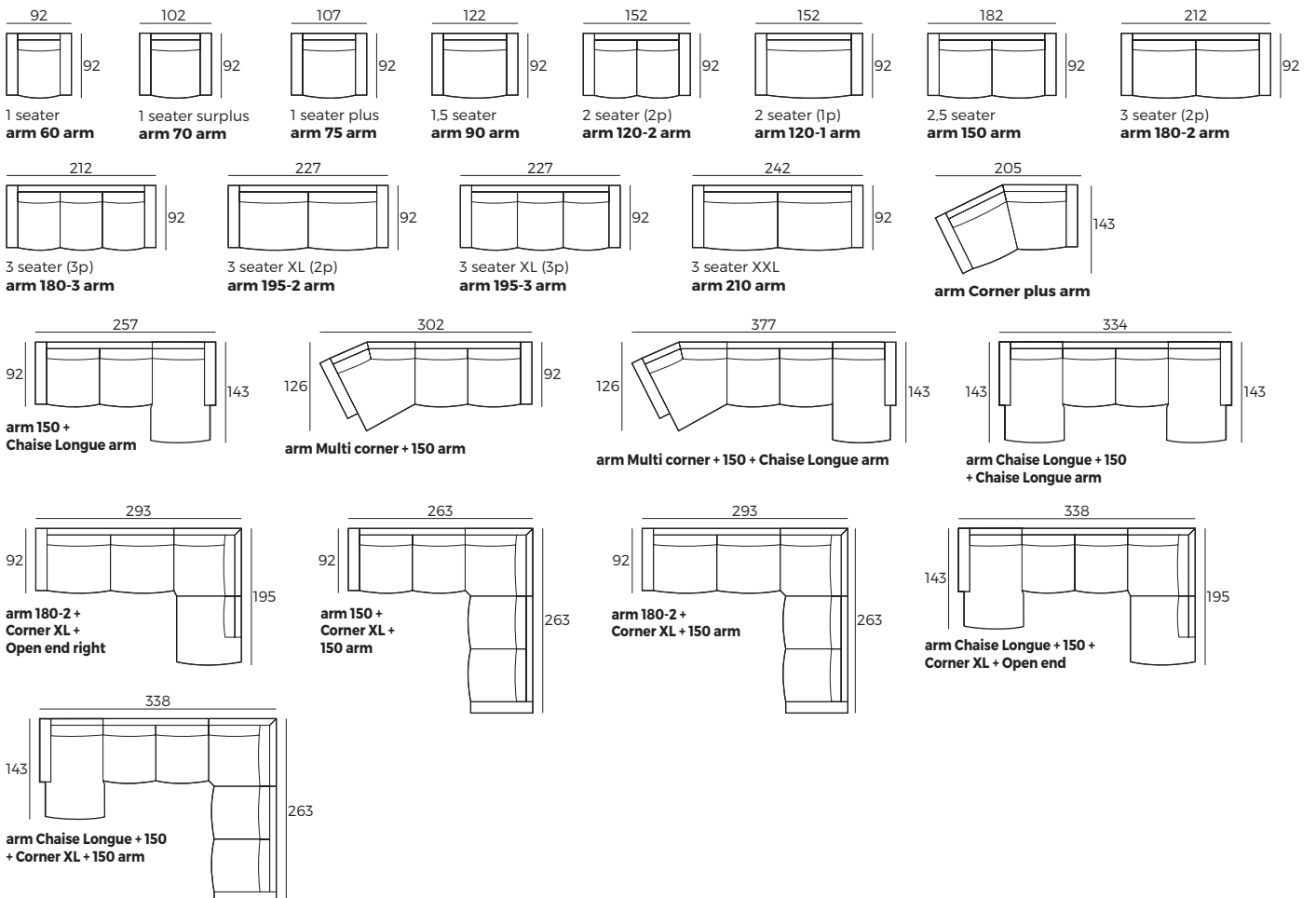
Scale 1:100



Modules with armrest (Measurements with SHARE armrest)



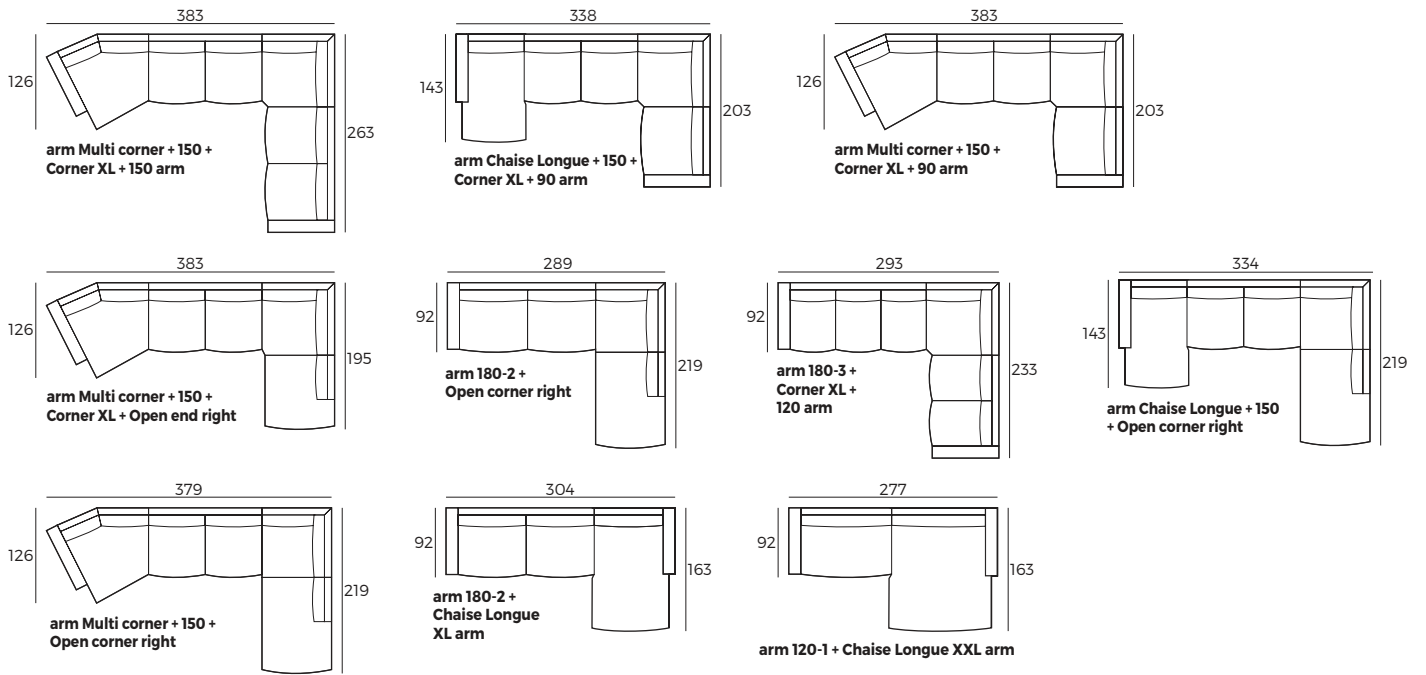
Combinations (Measurements with SHARE armrest)



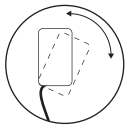
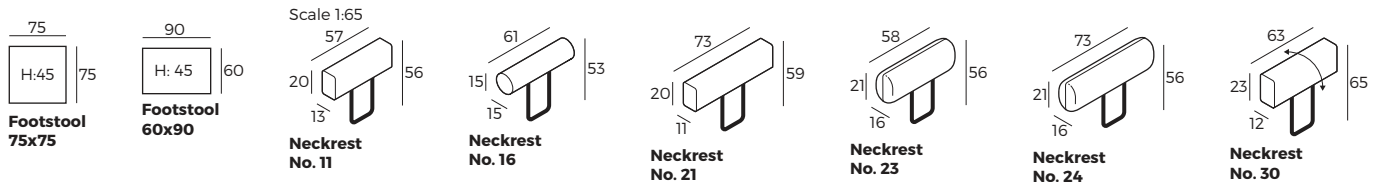
NORDIC

Combinations (Measurements with SHARE armrest)

Scale 1:100



Accessories



With click-clack function

OCEAN

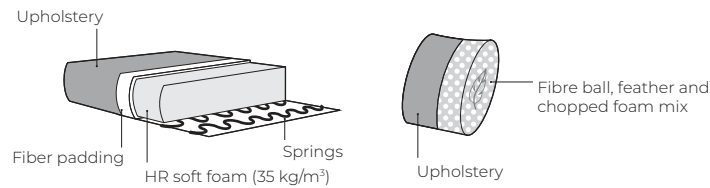


VILMERS

OCEAN



Comfort



1. Upholstery

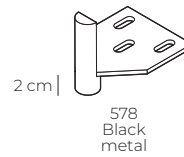


Leather

Fabric

* Leather upholstery may require more stitches than fabric upholstery.

3. Legs

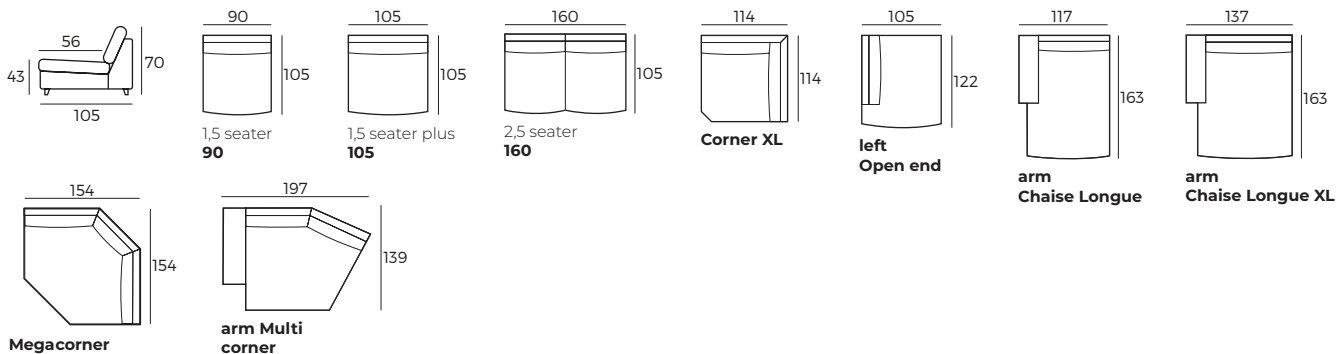


IMPORTANT:

Upholstered furniture is handmade using soft materials, therefore measurements can vary in all modules by up to **+/-2 cm**. Modules and combinations shown in 2D drawings are left-sided. Modules and combinations can be mirrored from left to right.

Modules

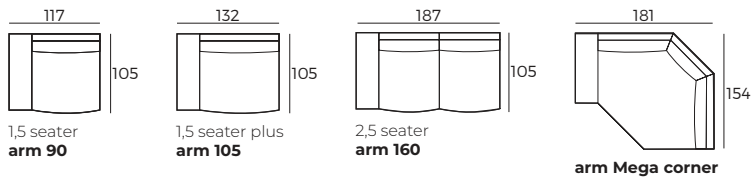
Scale 1:100



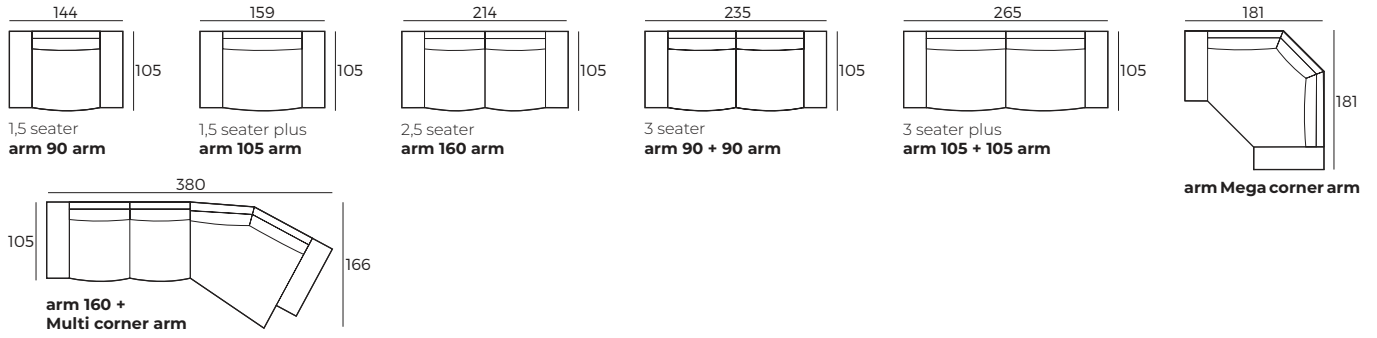
OCEAN

Scale 1:100

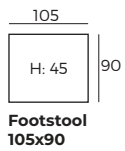
Modules with armrest



Combinations



Accessories



ODENSE

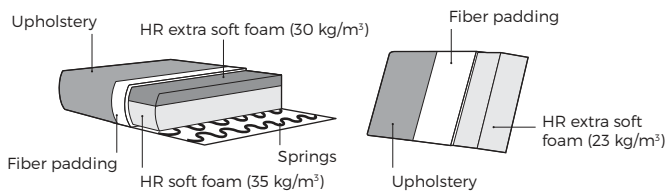


VILMERS

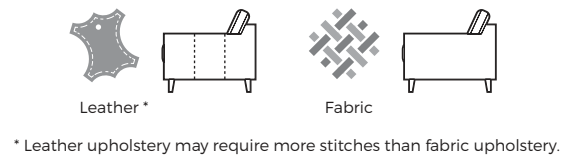
ODENSE



Comfort



1. Upholstery



2. Multicolour option



3. Legs

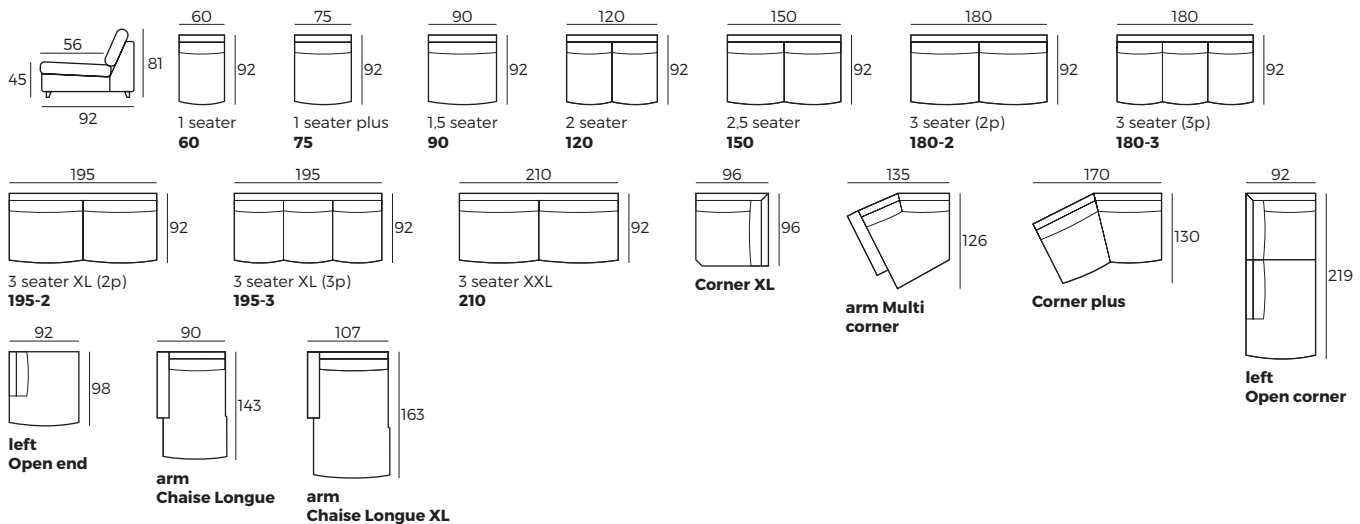


IMPORTANT:

Upholstered furniture is handmade using soft materials, therefore measurements can vary in all modules by up to **+/-2 cm**.
 Modules and combinations shown in 2D drawings are left-sided. Modules and combinations can be mirrored from left to right.
 For an additional fee, the sides of each seater module can be covered in fabric.

Modules

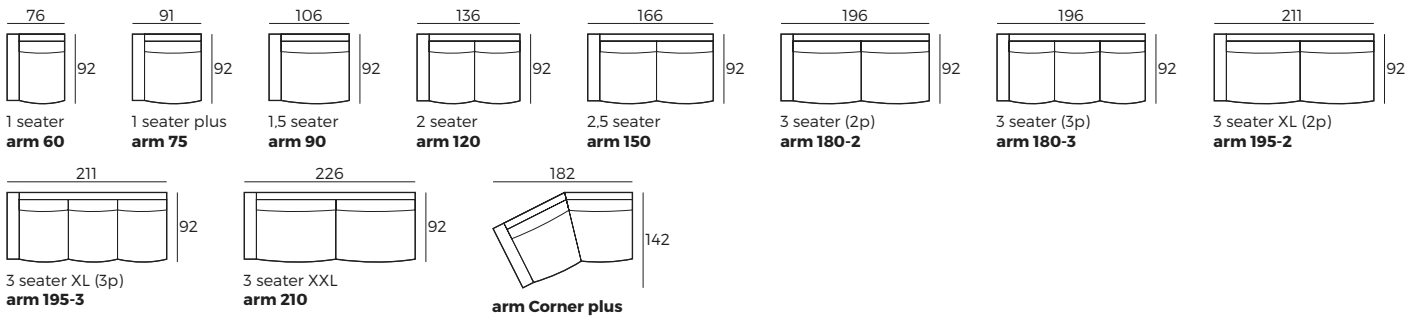
Scale 1:100



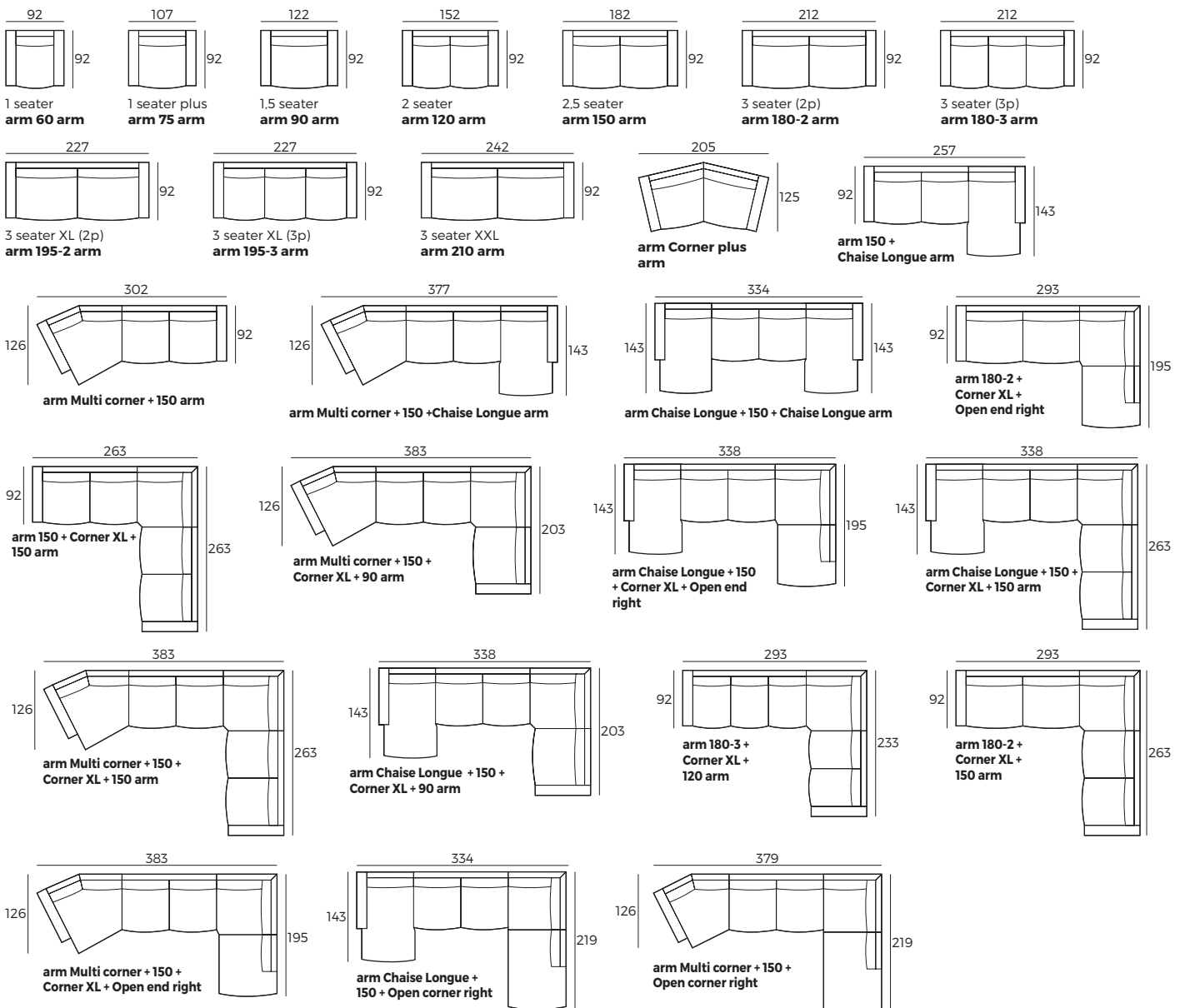
ODENSE

Modules with armrest

Scale 1:100

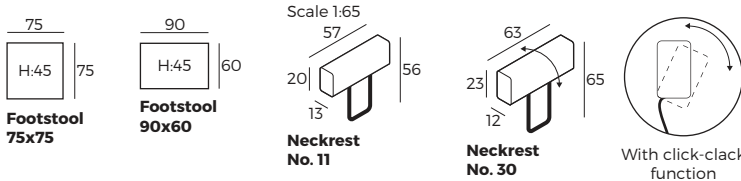


Combinations



Accessories

Scale 1:100



PEBBLE

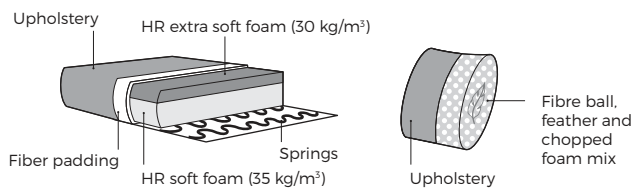


VILMERS

PEBBLE



Comfort



1. Upholstery



2. Legs

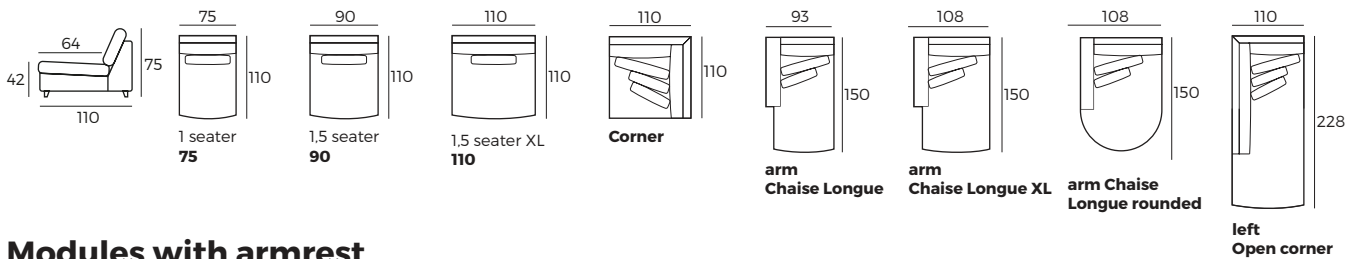


IMPORTANT:

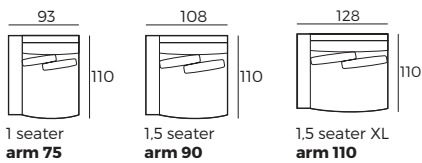
Upholstered furniture is handmade using soft materials, therefore measurements can vary in all modules by up to **+/-2cm**.
Modules and combinations shown in 2D drawings are left-sided. Modules and combinations can be mirrored from left to right.

Modules

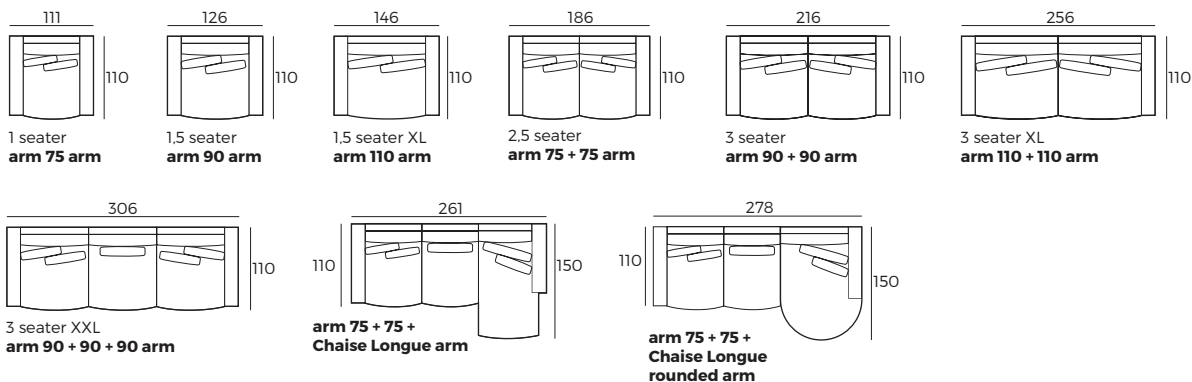
Scale 1:100



Modules with armrest



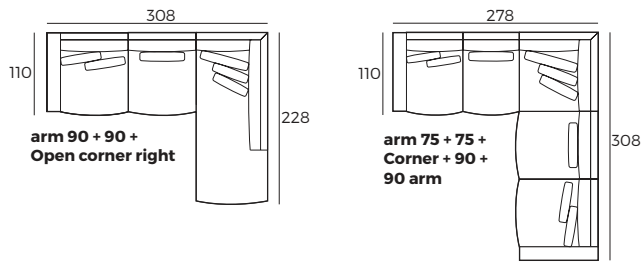
Combinations



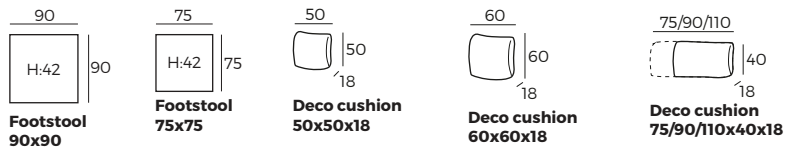
PEBBLE

Combinations

Scale 1:100



Accessories



*The width of the cushion depends on the width of the seater.

RAINDROP

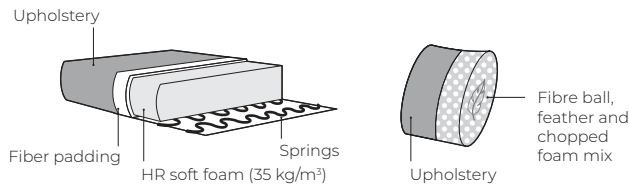


VILMERS

RAINDROP



Comfort



1. Upholstery



2. Legs

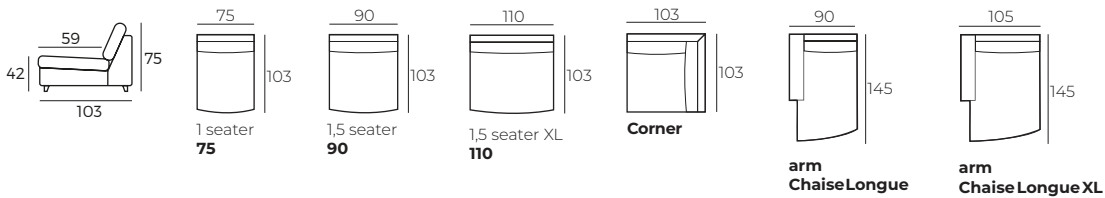


IMPORTANT:

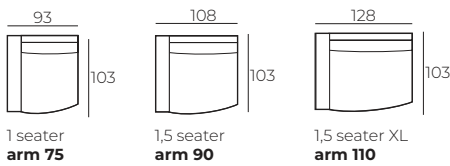
Upholstered furniture is handmade using soft materials, therefore measurements can vary in all modules by up to **+/- 2 cm**.
Modules and combinations shown in 2D drawings are left-sided. Modules and combinations can be mirrored from left to right.

Modules

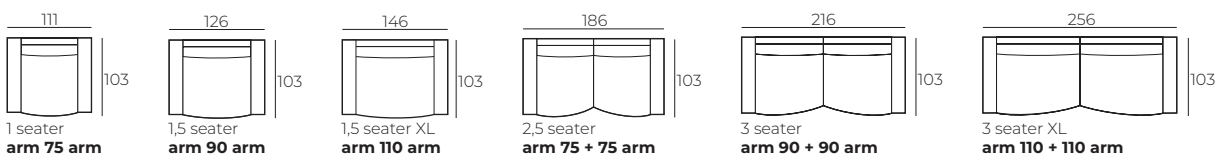
Scale 1:100



Modules with armrest



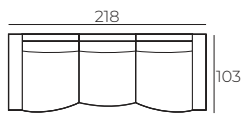
Combinations



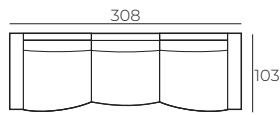
RAINDROP

Combinations

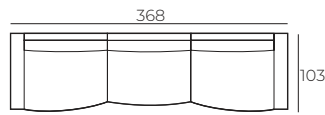
Scale 1:100



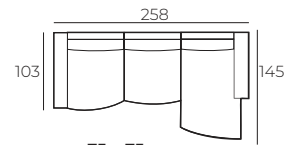
arm 75 + 75 + 75 arm



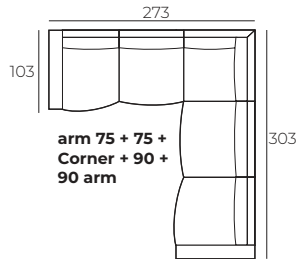
arm 90 + 90 + 90 arm



arm 110 + 110 + 110 arm

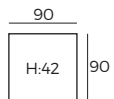


arm 75 + 75 +
Chaise Longue arm

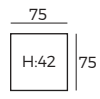


arm 75 + 75 +
Corner + 90 +
90 arm

Accessories



Footstool
90x90



Footstool
75x75

RIVER

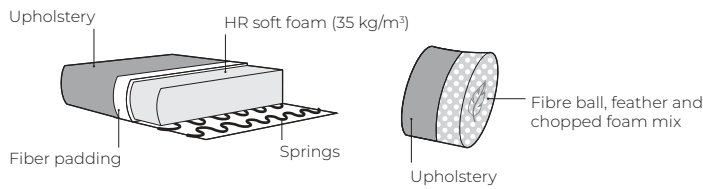


VILMERS

RIVER



Comfort



1. Upholstery



* Leather upholstery may require more stitches than fabric upholstery.

2. Multicolour option



3. Legs

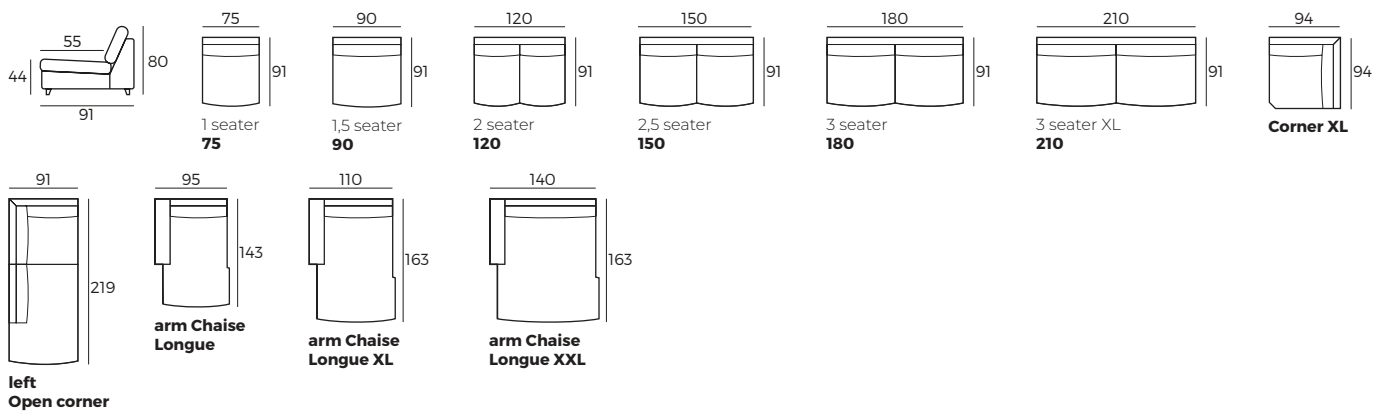


IMPORTANT:

Upholstered furniture is handmade using soft materials, therefore measurements can vary in all modules by up to **+/-2 cm**.
Modules and combinations shown in 2D drawings are left-sided. Modules and combinations can be mirrored from left to right.

Modules

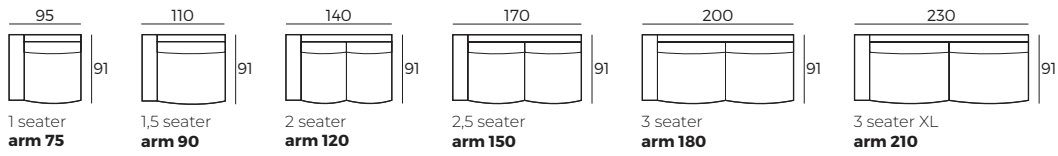
Scale 1:100



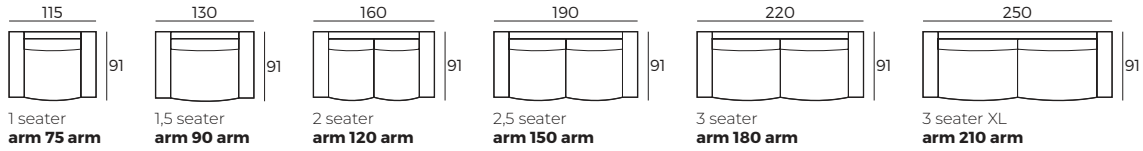
RIVER

Modules with armrest

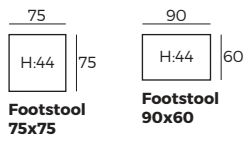
Scale 1:100



Combinations



Accessories



ROCK

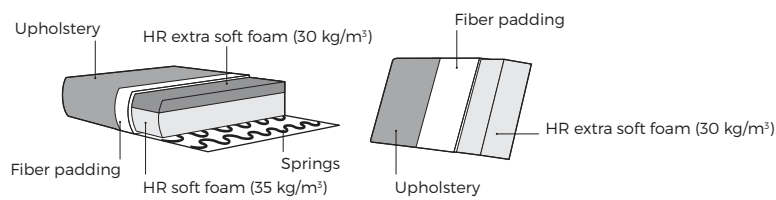


VILMERS

ROCK



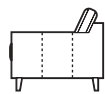
Comfort



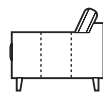
1. Upholstery



Leather*



Fabric



* Leather and fabric upholstery contain the same number of stitches.

2. Legs



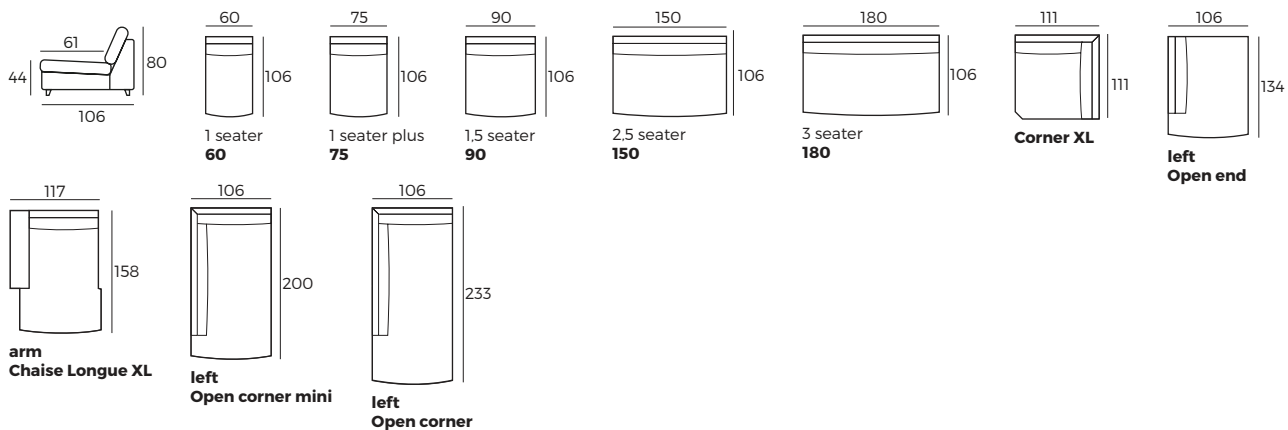
345
Black
Metal

IMPORTANT:

Upholstered furniture is handmade using soft materials, therefore measurements can vary in all modules by up to **+/-2 cm**.
Modules and combinations shown in 2D drawings are left-sided. Modules and combinations can be mirrored from left to right.

Modules

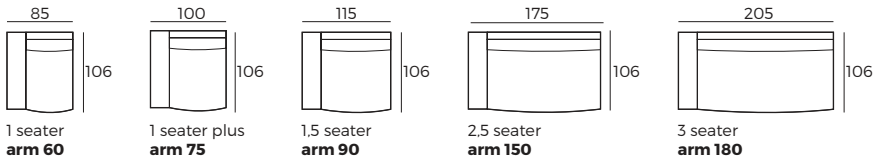
Scale 1:100



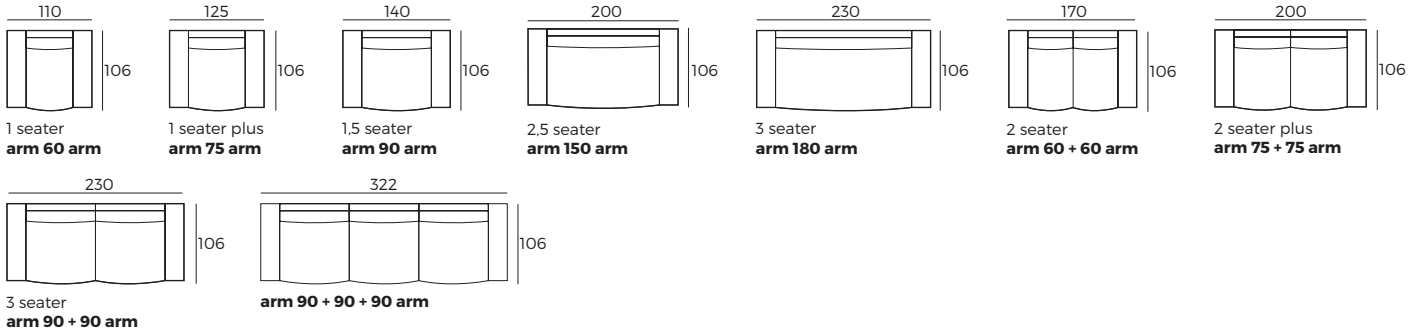
ROCK

Modules with armrest

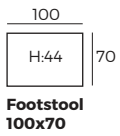
Scale 1:100



Combinations



Accessories



ROLF



VILMERS

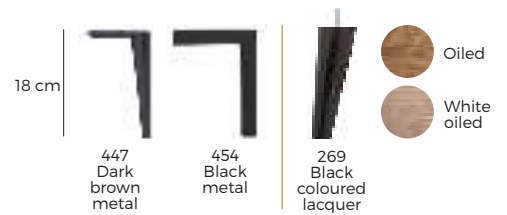
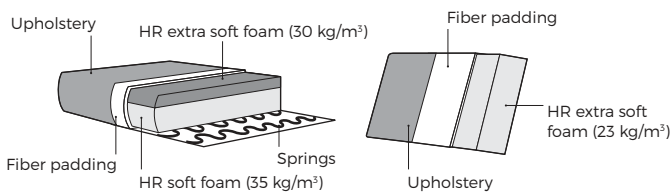
ROLF



Comfort

1. Upholstery

2. Legs

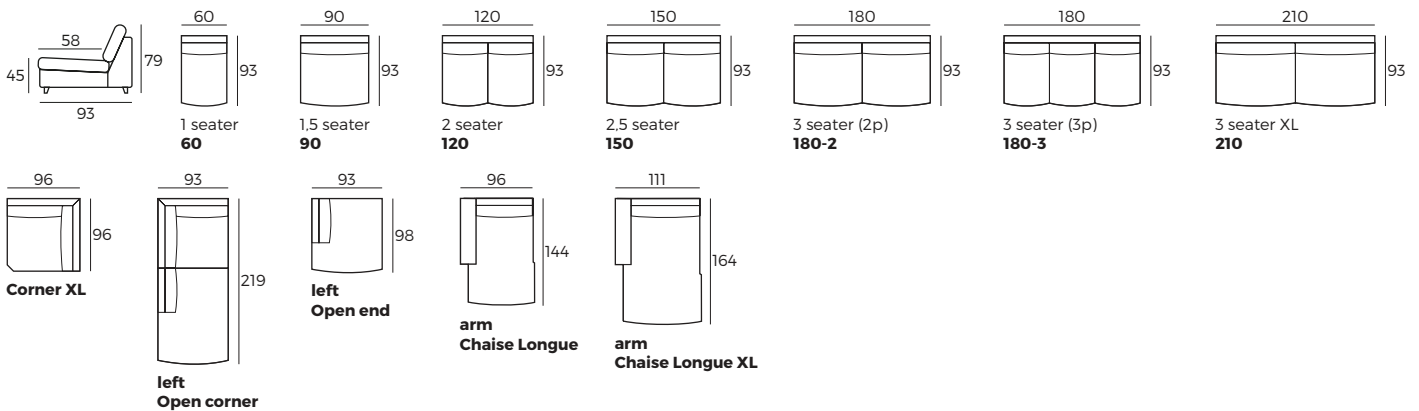


IMPORTANT:

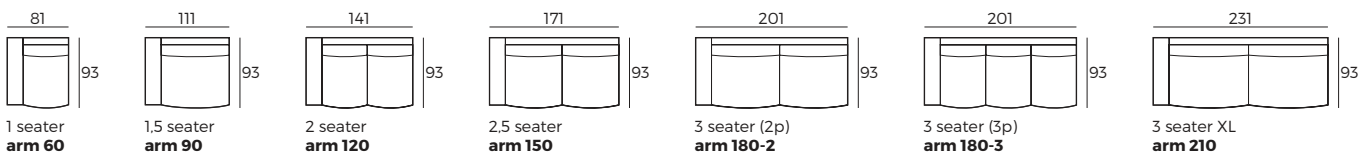
Upholstered furniture is handmade using soft materials, therefore measurements can vary in all modules by up to **+/-2 cm**.
 Modules and combinations shown in 2D drawings are left-sided. Modules and combinations can be mirrored from left to right.
 For an additional fee, the sides of each seater module can be covered in fabric.

Modules

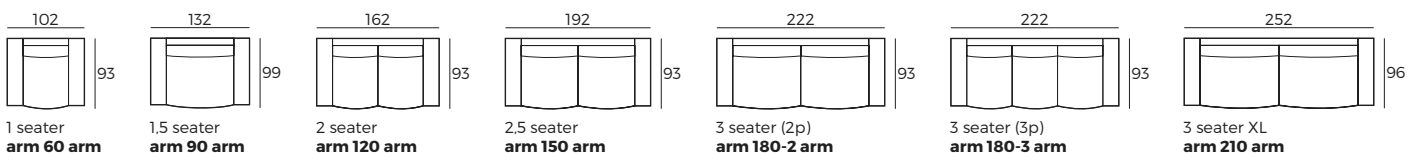
Scale 1:100



Modules with armrest



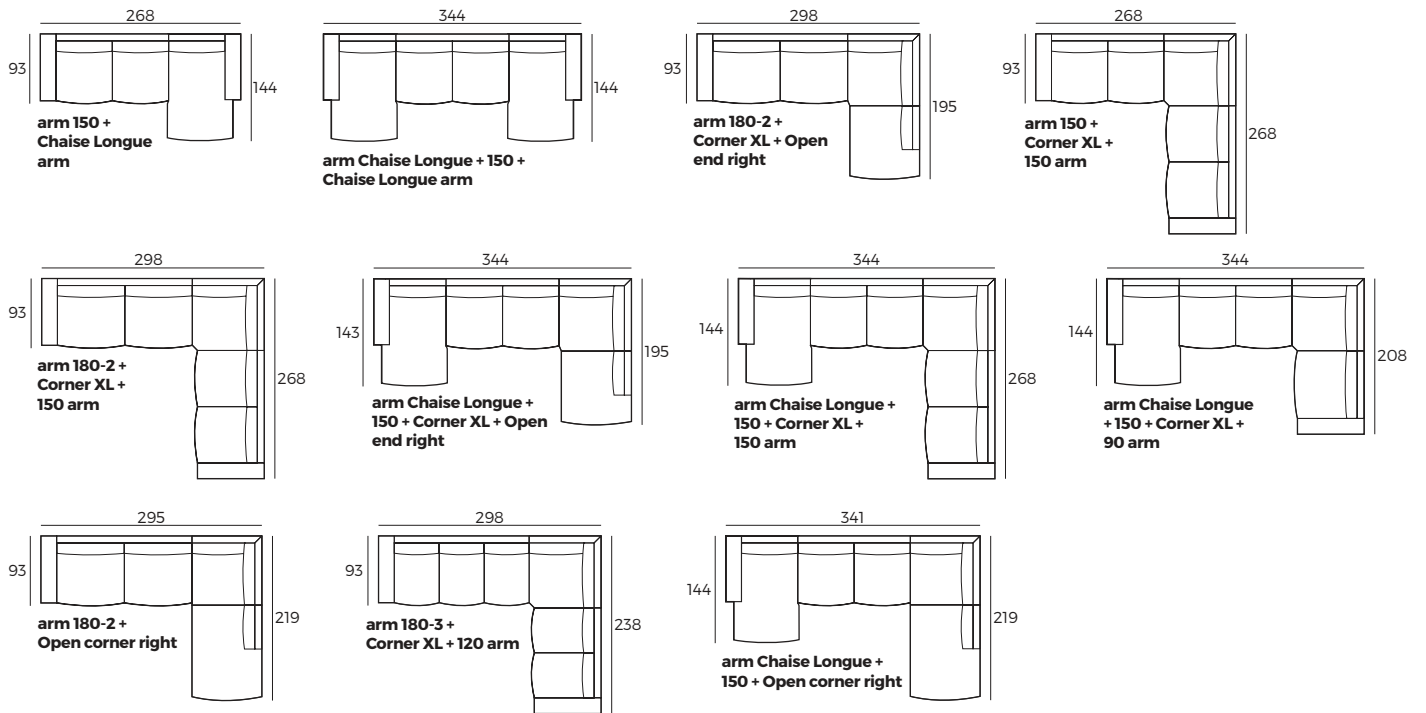
Combinations



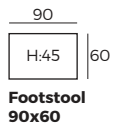
ROLF

Combinations

Scale 1:100



Accessories



ROWAN

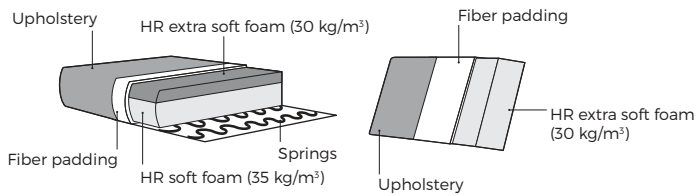


VILMERS

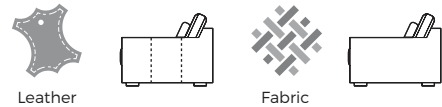
ROWAN



Comfort



1. Upholstery

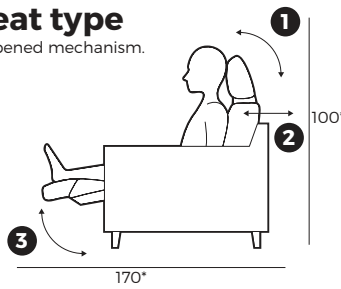


* Leather upholstery may require more stitches than fabric upholstery.

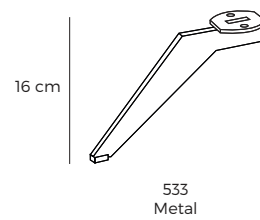
2. Headrest & seat type

* Measurements for fully opened mechanism.

- 1 Manual ↘
- 2 Manual ↘
- 3 Manual ↘



3. Legs

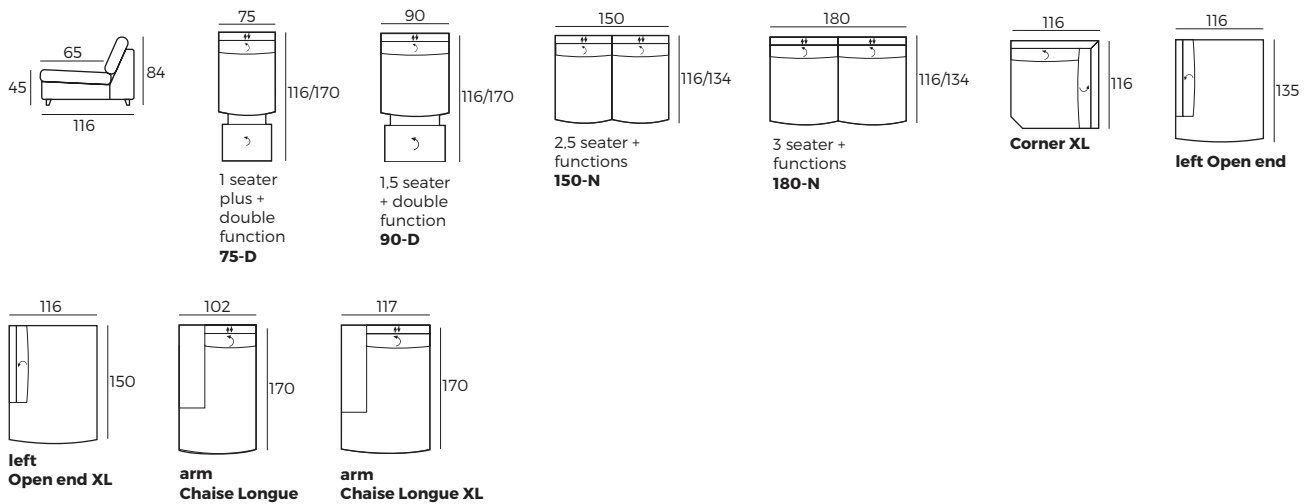


IMPORTANT:

Upholstered furniture is handmade using soft materials, therefore measurements can vary in all modules by up to +/-2 cm. Modules and combinations shown in 2D drawings are left-sided. Modules and combinations can be mirrored from left to right.

Modules

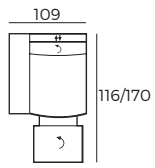
Scale 1:100



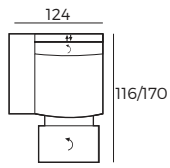
ROWAN

Modules with armrest

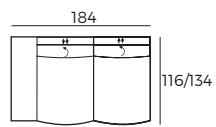
Scale 1:100



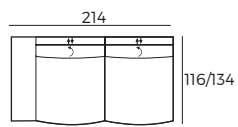
1 seater plus +
double
function
arm 75-D



1,5 seater
+ double
function
arm 90-D

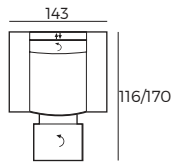


2,5 seater +
function
arm 150-N

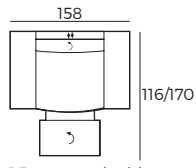


3 seater +
function
arm 180-N

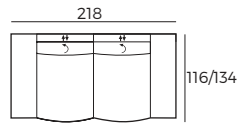
Combinations



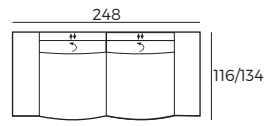
1 seater plus +
double function
arm 75-D arm



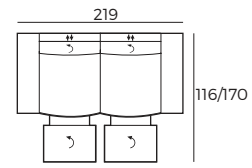
1,5 seater + double
function
arm 90-D arm



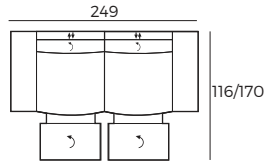
2,5 seater +
function
arm 150-N arm



3 seater +
function
arm 180-N arm



**arm 75-D +
75-D arm**



**arm 90-D +
90-D arm**

↶- manual:

SALLY

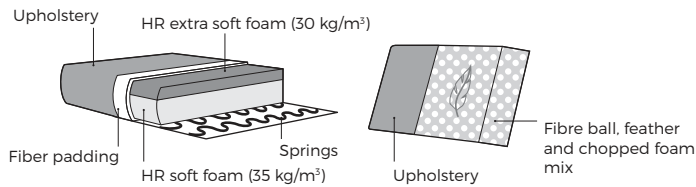


VILMERS

SALLY



Comfort



1. Upholstery



Fabric

2. Legs



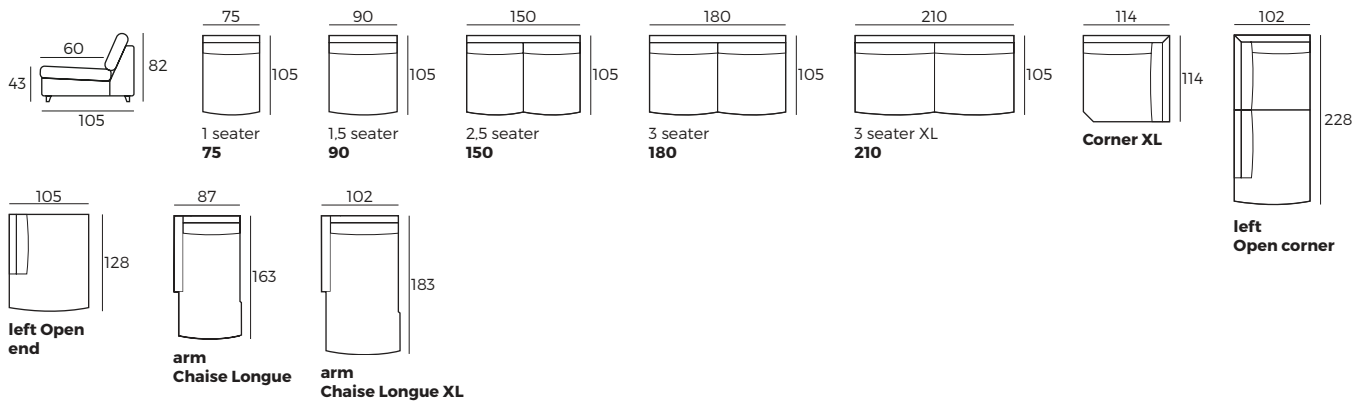
122 Plastic

IMPORTANT:

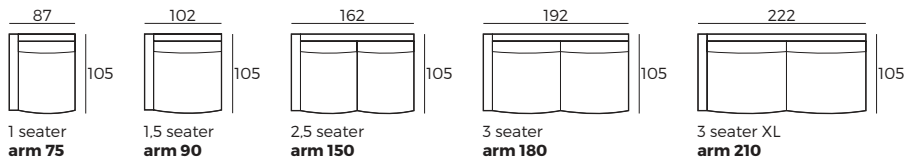
Upholstered furniture is handmade using soft materials, therefore measurements can vary in all modules by up to **+/-2 cm**.
Modules and combinations shown in 2D drawings are left-sided. Modules and combinations can be mirrored from left to right.

Modules

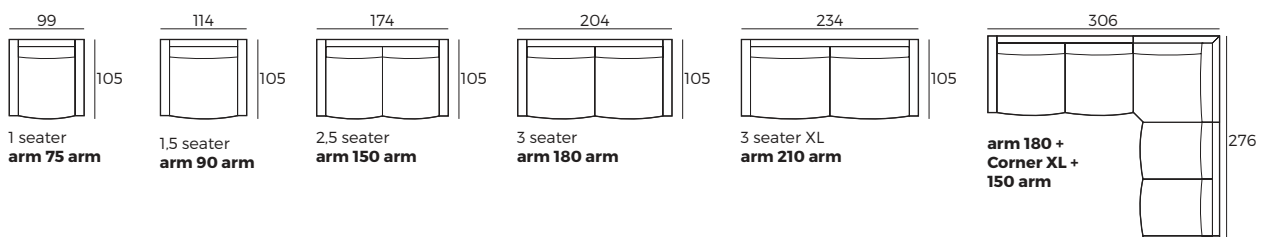
Scale 1:100



Modules with armrest



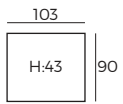
Combinations



SALLY

Accessories

Scale 1:100



Footstool
103x90

SCANDY

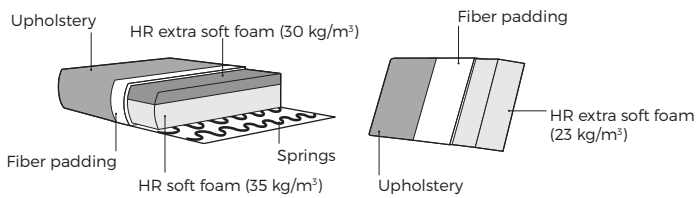


VILMERS

SCANDY



Comfort



1. Upholstery



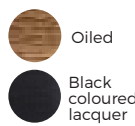
* Leather upholstery may require more stitches than fabric upholstery.

2. Armrests



*Not suitable for Chaise Longue

3. Multicolour option

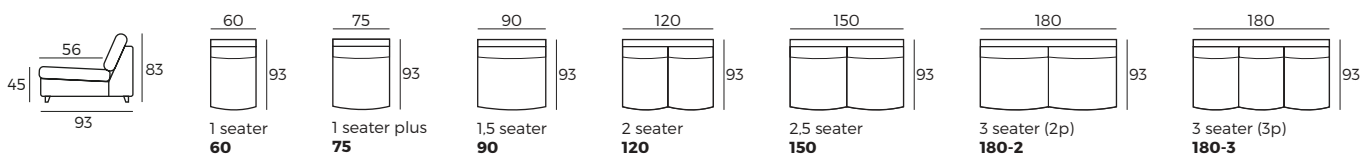


IMPORTANT:

Upholstered furniture is handmade using soft materials, therefore measurements can vary in all modules by up to **+/-2 cm**.
Modules and combinations shown in 2D drawings are left-sided. Modules and combinations can be mirrored from left to right.

Modules (Measurements with SHARE armrest)

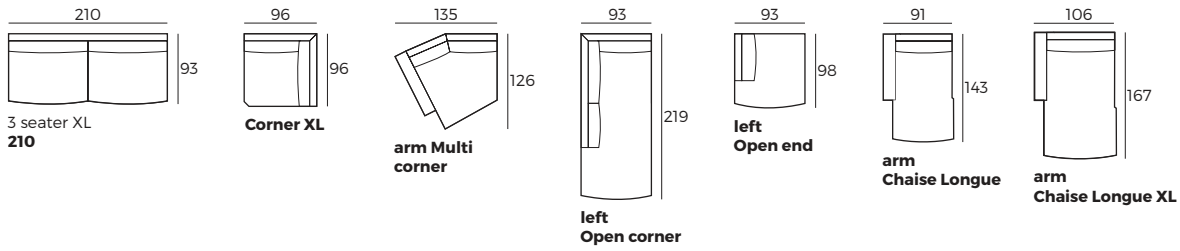
Scale 1:100



SCANDY

Modules (Measurements with SHARE armrest)

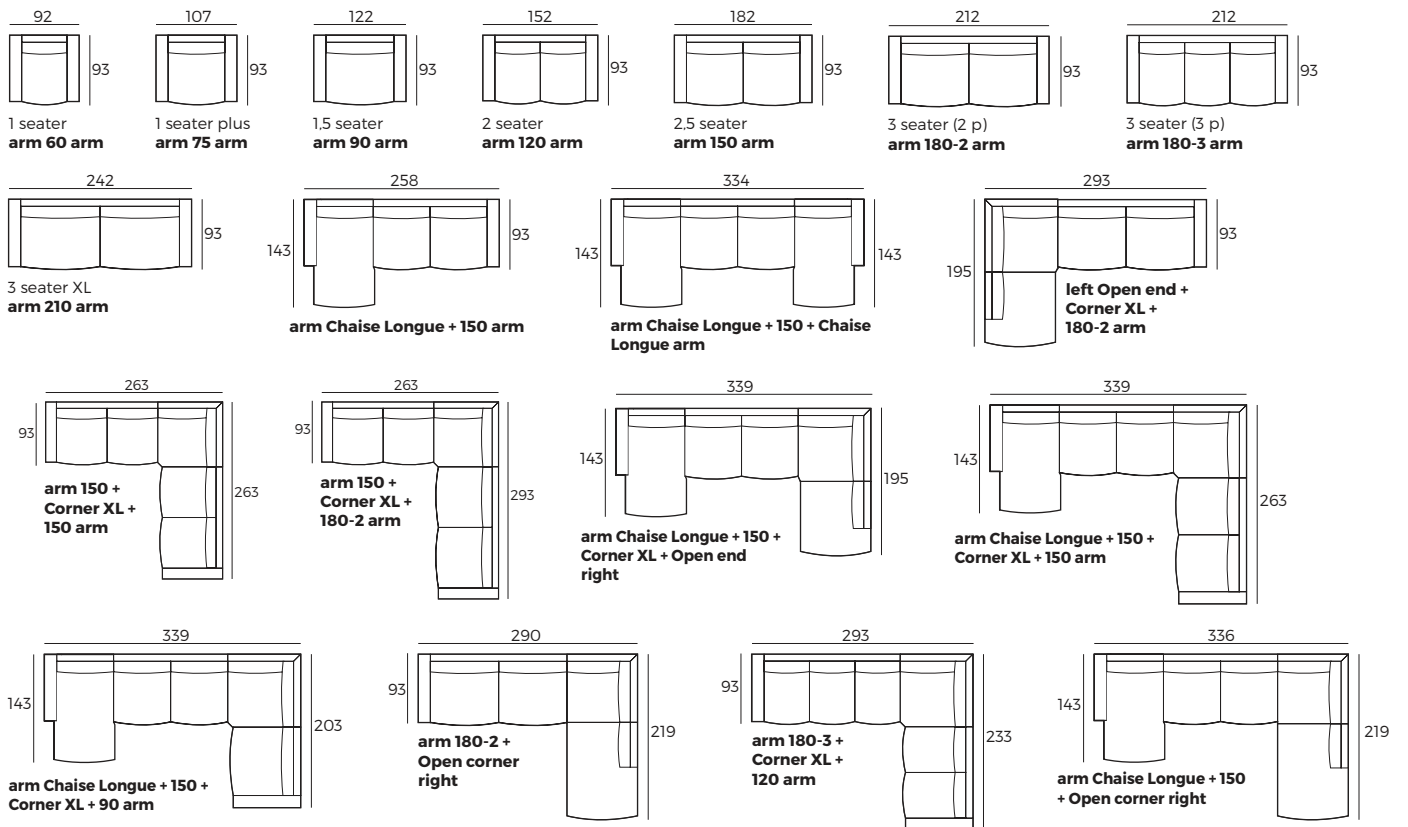
Scale 1:100



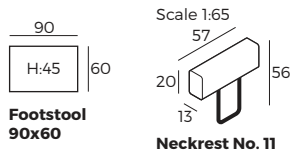
Modules with armrest (Measurements with SHARE armrest)



Combinations (Measurements with SHARE armrest)



Accessories



SEA



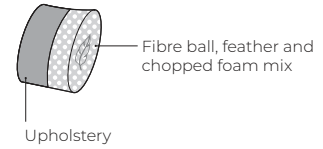
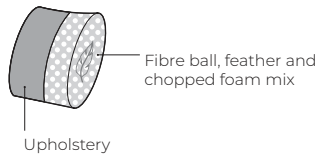
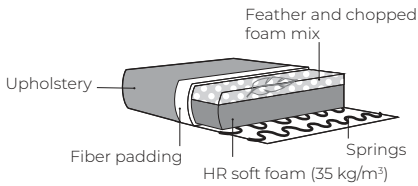
VILMERS

SEA



Comfort

Deco cushion



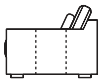
1. Upholstery

2. Multicolour option

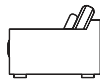
3. Legs



Leather *



Fabric



Black

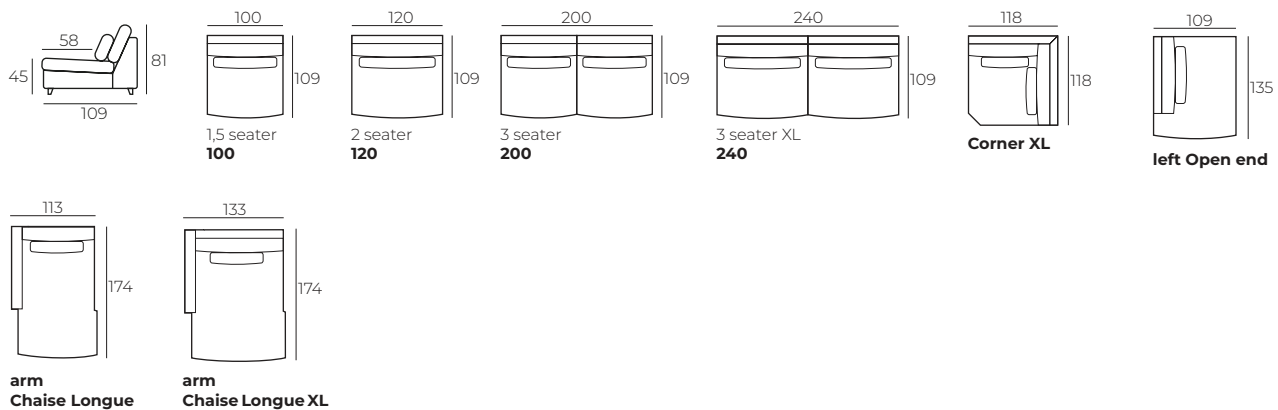
* Leather upholstery may require more stitches than fabric upholstery.

IMPORTANT:

Upholstered furniture is handmade using soft materials, therefore measurements can vary in all modules by up to **+/-2 cm**.
Modules and combinations shown in 2D drawings are left-sided. Modules and combinations can be mirrored from left to right.

Modules

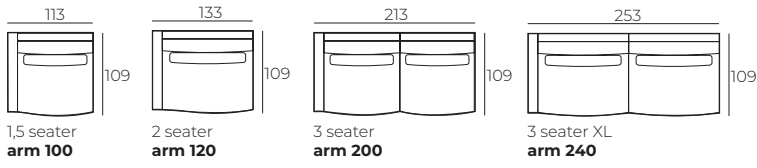
Scale 1:100



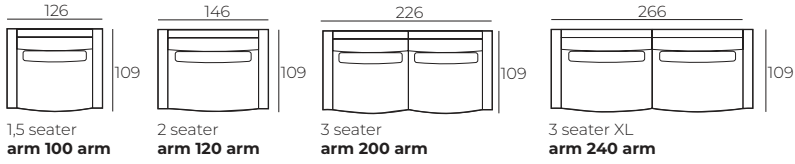
SEA

Modules with armrest

Scale 1:100



Combinations



SHINY

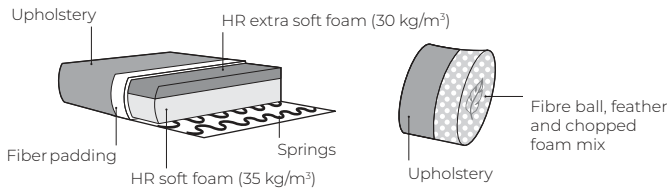


VILMERS

SHINY



Comfort



1. Upholstery

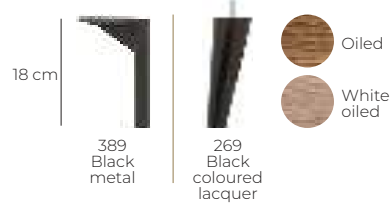


* Leather upholstery may require more stitches than fabric upholstery.

2. Multicolour option



3. Legs

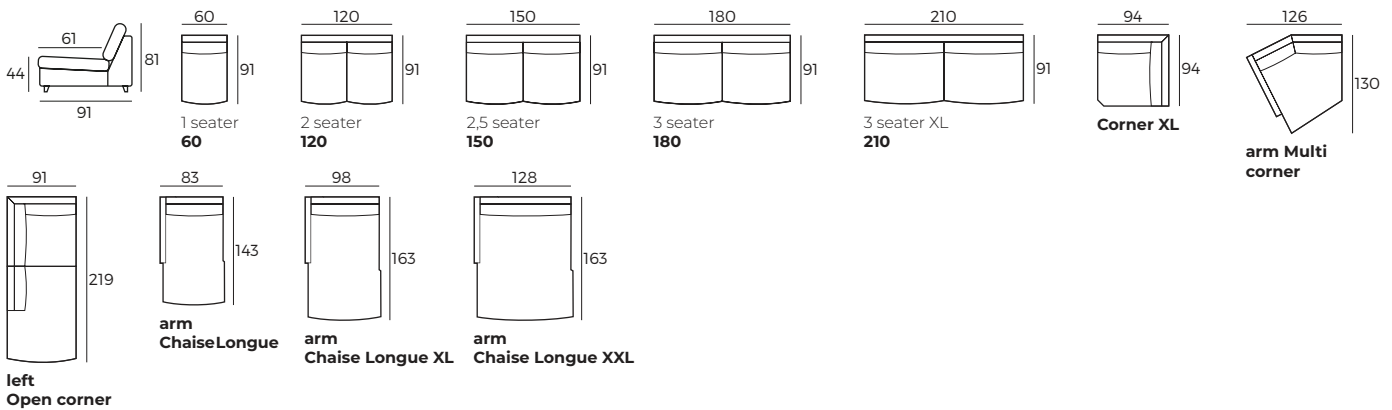


IMPORTANT:

Upholstered furniture is handmade using soft materials, therefore measurements can vary in all modules by up to **+/-2 cm**.
Modules and combinations shown in 2D drawings are left-sided. Modules and combinations can be mirrored from left to right.

Modules

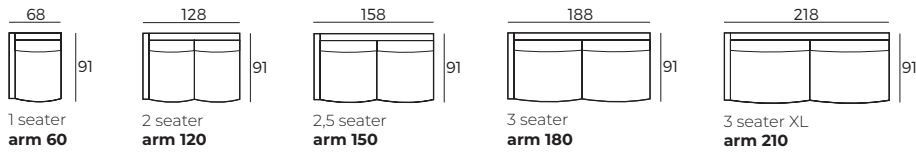
Scale 1:100



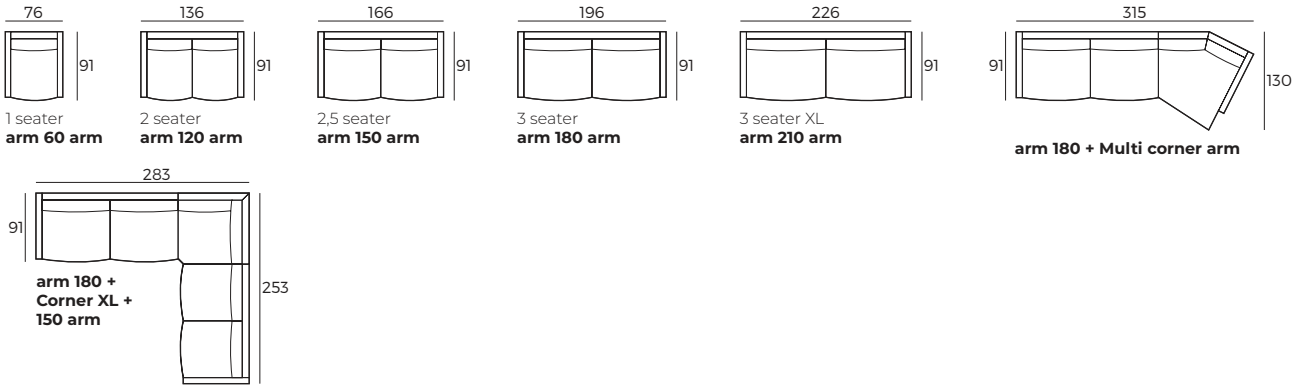
SHINY

Modules with armrest

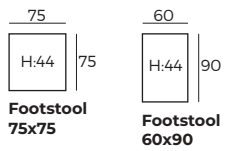
Scale 1:100



Combinations



Accessories



SLIM

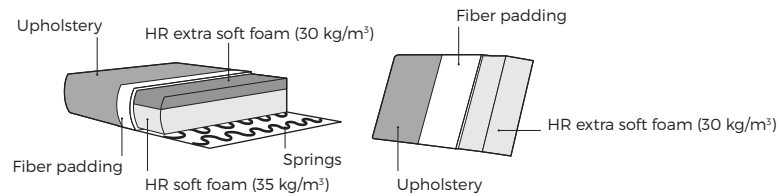


VILMERS

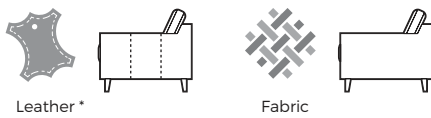
SLIM



Comfort



1. Upholstery

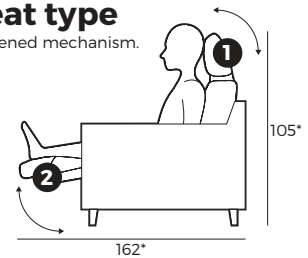


* Leather upholstery may require more stitches than fabric upholstery.

2. Headrest & seat type

* Measurements for fully opened mechanism.

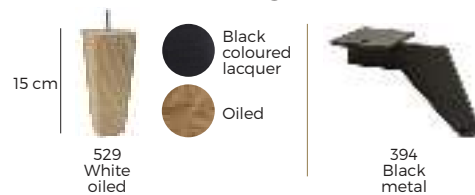
- 1 Manual ↶
- 2 Electrical ⏻



3. Multicolour option



4. Legs

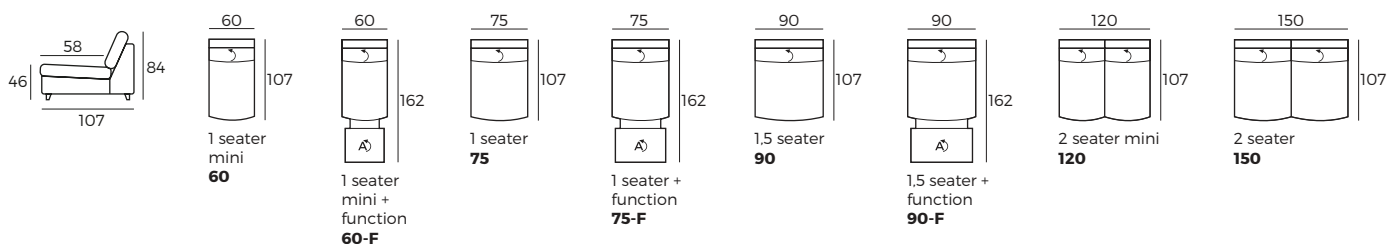


IMPORTANT:

Upholstered furniture is handmade using soft materials, therefore measurements can vary in all modules by up to **+/-2 cm**.
Modules and combinations shown in 2D drawings are left-sided. Modules and combinations can be mirrored from left to right.

Modules

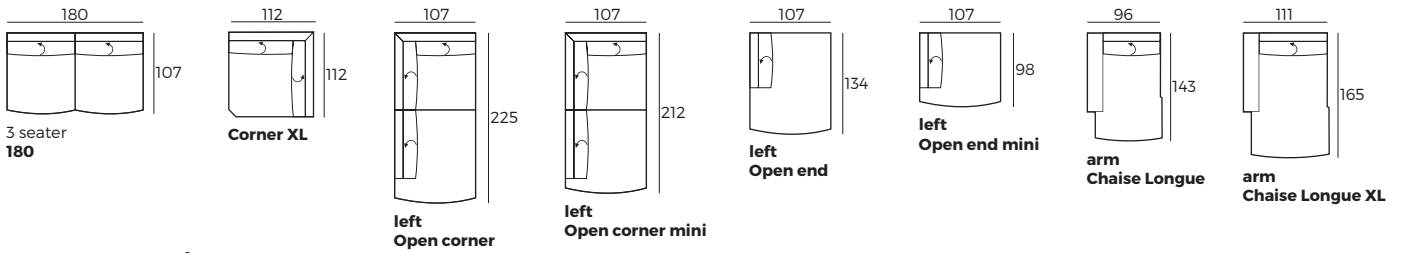
Scale 1:100



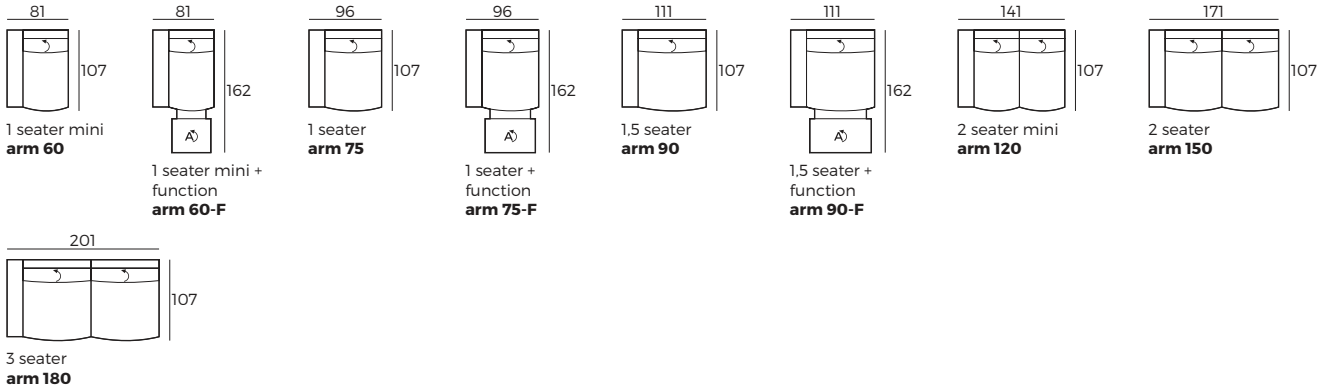
SLIM

Modules

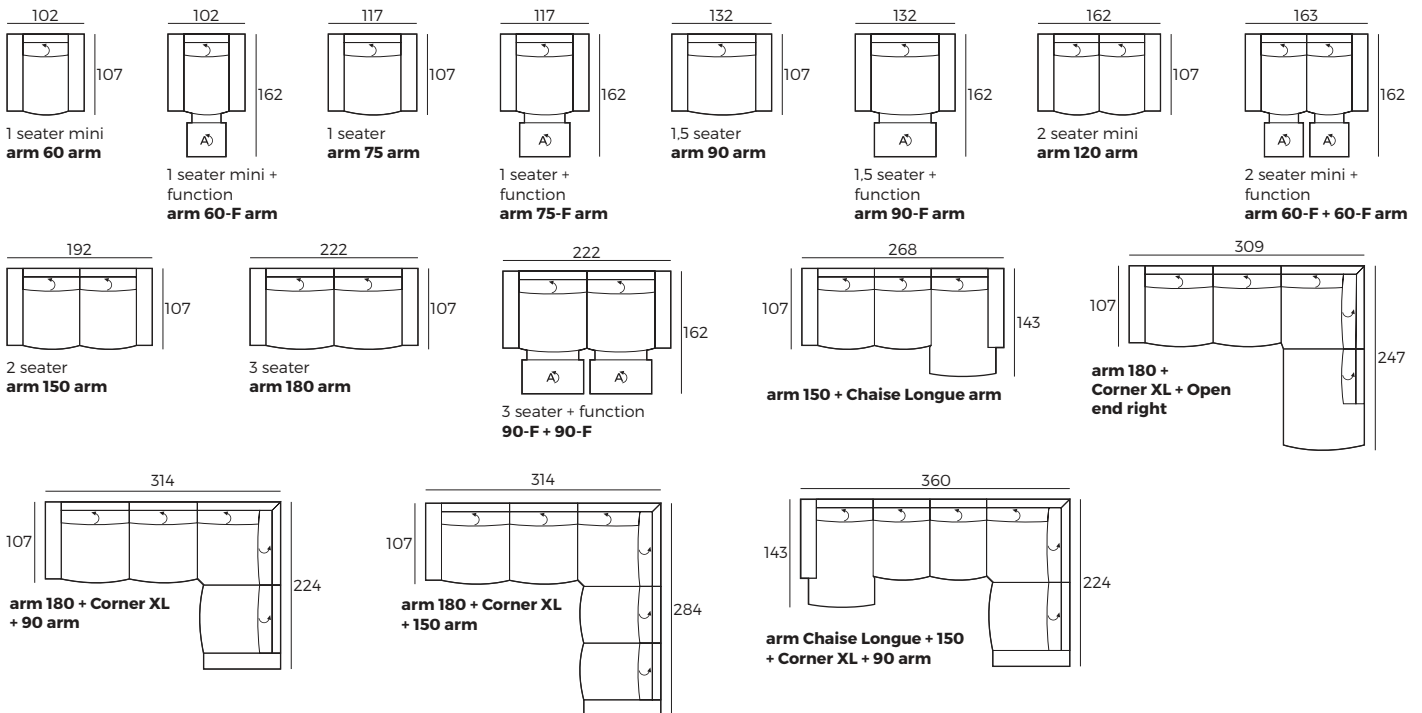
Scale 1:100



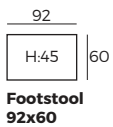
Modules with armrest



Combinations



Accessories



⌋ - manual; Ⓐ - electrical *F - single electric function

SMILE

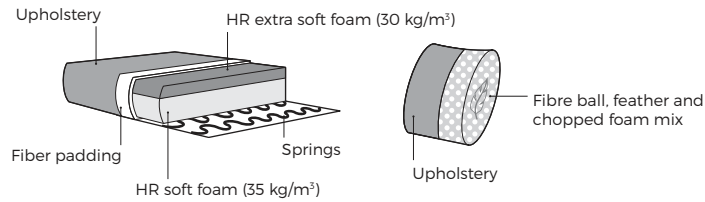


VILMERS

SMILE



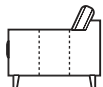
Comfort



1. Upholstery



Leather*



Fabric

* Leather upholstery may require more stitches than fabric upholstery.

2. Legs

18 cm



389 Black metal



460 Black metal



269 Black coloured lacquer



364 Black coloured lacquer Brass



364 Black coloured lacquer Silver



Oiled

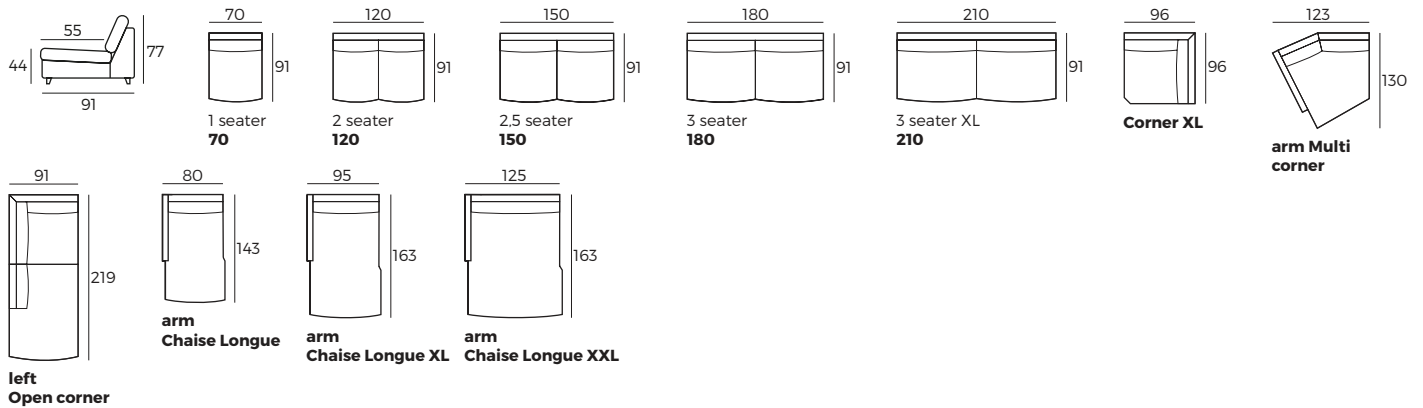
White oiled

IMPORTANT:

Upholstered furniture is handmade using soft materials, therefore measurements can vary in all modules by up to **+/-2 cm**.
Modules and combinations shown in 2D drawings are left-sided. Modules and combinations can be mirrored from left to right.

Modules

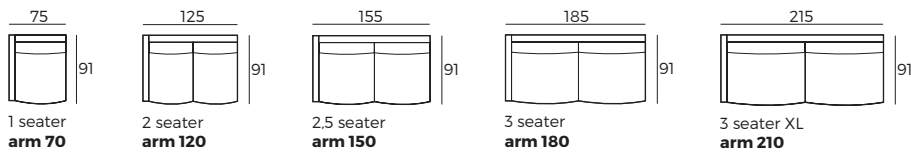
Scale 1:100



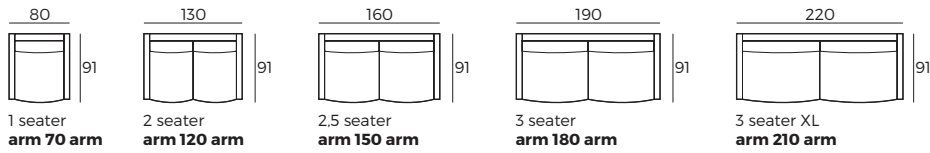
SMILE

Modules with armrest

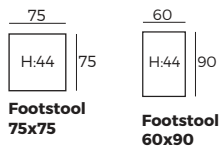
Scale 1:100



Combinations



Accessories



SPRING

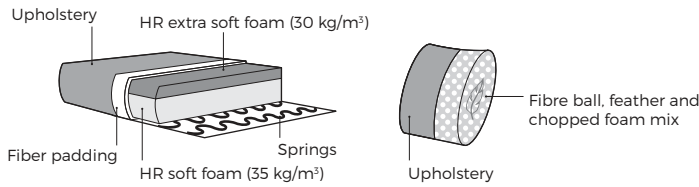


VILMERS

SPRING



Comfort



1. Upholstery



Fabric

2. Choose cushions

Multi corner



Cushion P

Cushion B

3. Multicolour option



4. Legs

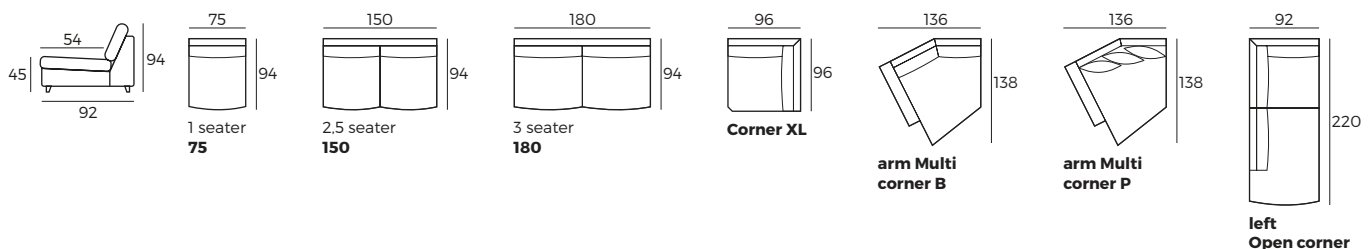


IMPORTANT:

Upholstered furniture is handmade using soft materials, therefore measurements can vary in all modules by up to **+/-2 cm**.
Modules and combinations shown in 2D drawings are left-sided. Modules and combinations can be mirrored from left to right.

Modules

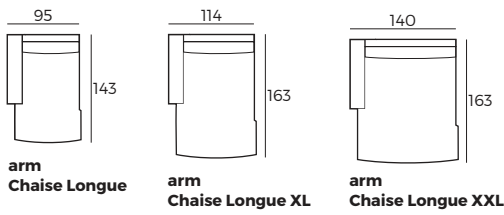
Scale 1:100



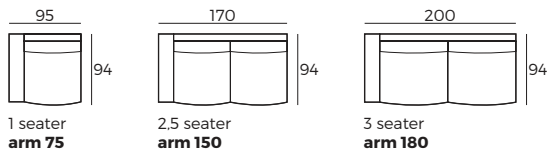
SPRING

Scale 1:100

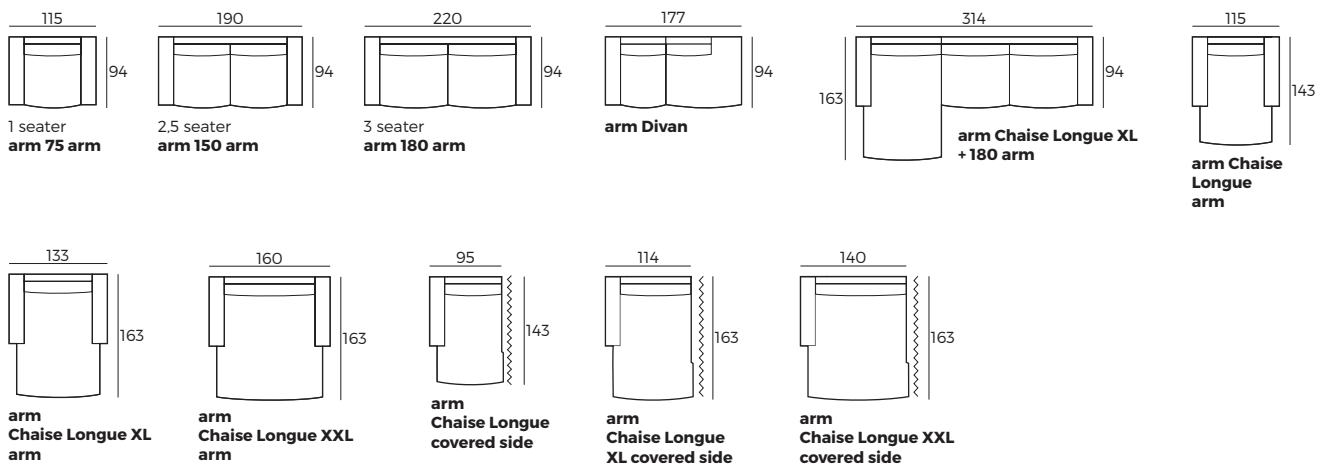
Modules



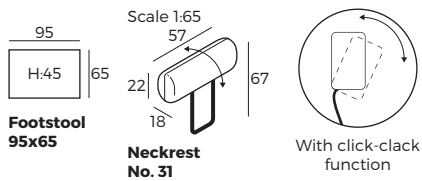
Modules with armrest



Combinations



Accessories



STORM

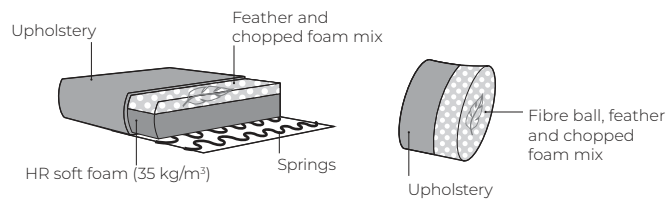


VILMERS

STORM



Comfort



1. Upholstery



* Leather upholstery may require more stitches than fabric upholstery.

2. Legs

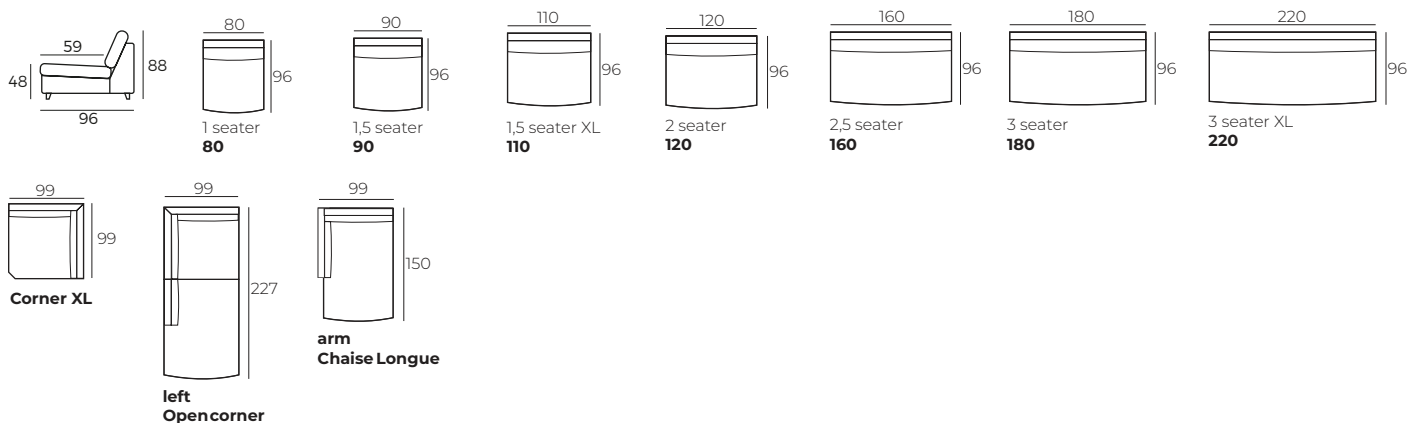


IMPORTANT:

Upholstered furniture is handmade using soft materials, therefore measurements can vary in all modules by up to **+/-2 cm**.
Modules and combinations shown in 2D drawings are left-sided. Modules and combinations can be mirrored from left to right.

Modules

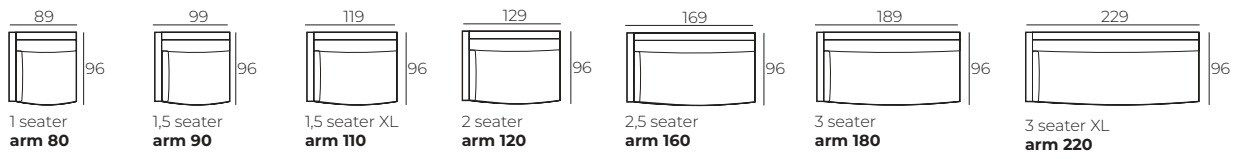
Scale 1:100



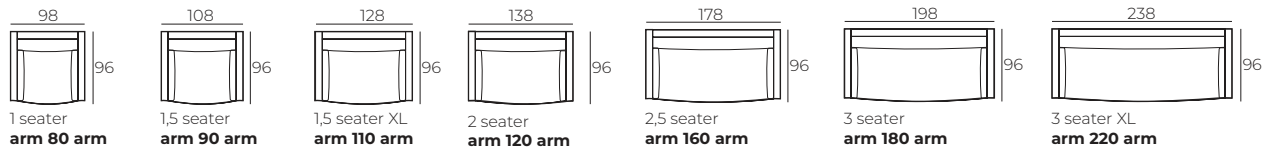
STORM

Modules with armrest

Scale 1:100

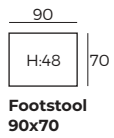


Combinations



Accessories

Scale 1:100



SUNY

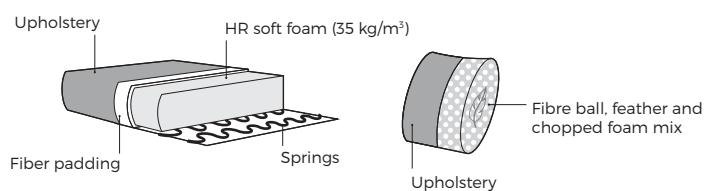


VILMERS

SUNY



Comfort



1. Upholstery



* Leather upholstery may require more stitches than fabric upholstery.

2. Multicolour option



3. Legs

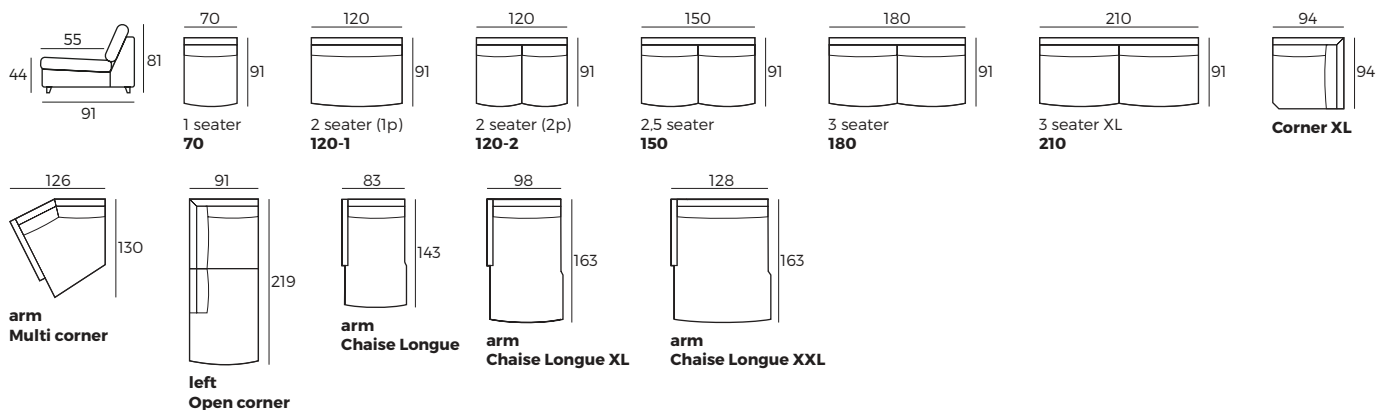


IMPORTANT:

Upholstered furniture is handmade using soft materials, therefore measurements can vary in all modules by up to **+/-2 cm**. Modules and combinations shown in 2D drawings are left-sided. Modules and combinations can be mirrored from left to right.

Modules

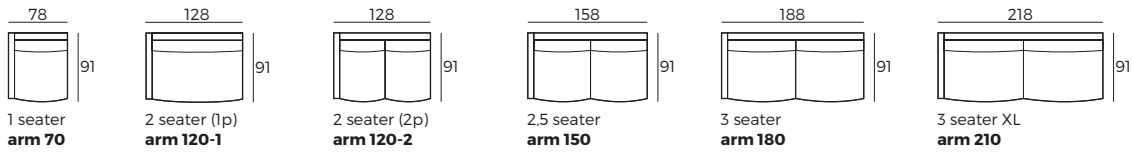
Scale 1:100



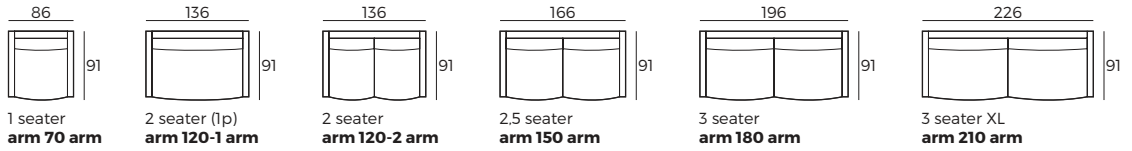
SUNY

Modules with armrest

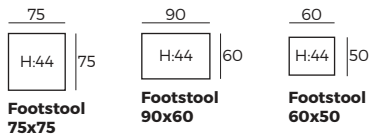
Scale 1:100



Combinations



Accessories



SUNSET

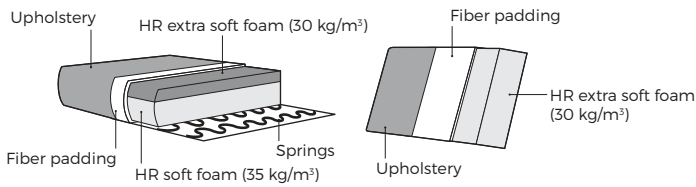


VILMERS

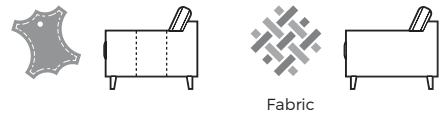
SUNSET



Comfort



1. Upholstery

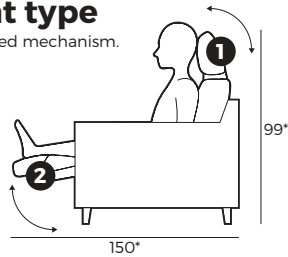


* Leather upholstery may require more stitches than fabric upholstery.

2. Headrest & seat type

* Measurements for fully opened mechanism.

- 1 Manual ↷
- 2 Electrical ↻



3. Multicolour option



4. Armrest



SUNUP
W 17 x D 107 x H 42



SUNSET
W 27 x D 107 x H 42

5. Legs

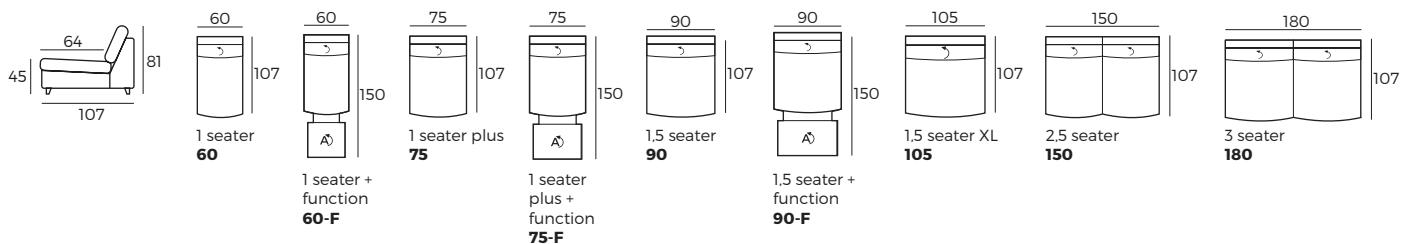


IMPORTANT:

Upholstered furniture is handmade using soft materials, therefore measurements can vary in all modules by up to **+/-2 cm**.
Modules and combinations shown in 2D drawings are left-sided. Modules and combinations can be mirrored from left to right.

Modules (Measurements with SUNSET armrest)

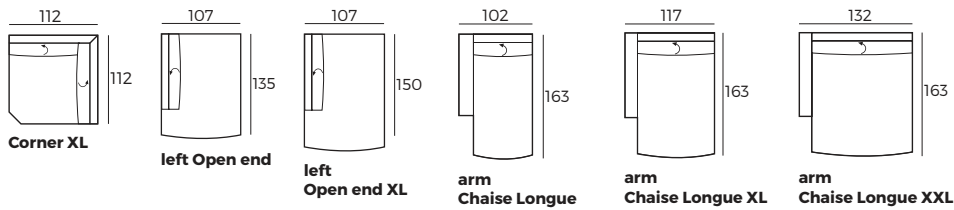
Scale 1:100



SUNSET

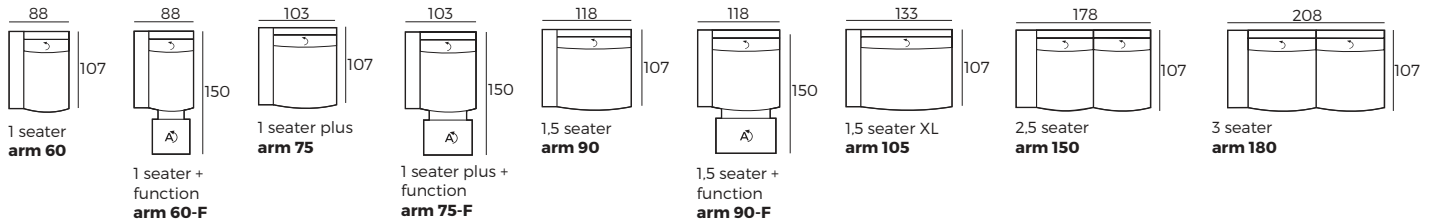
Modules (Measurements with SUNSET armrest)

Scale 1:100

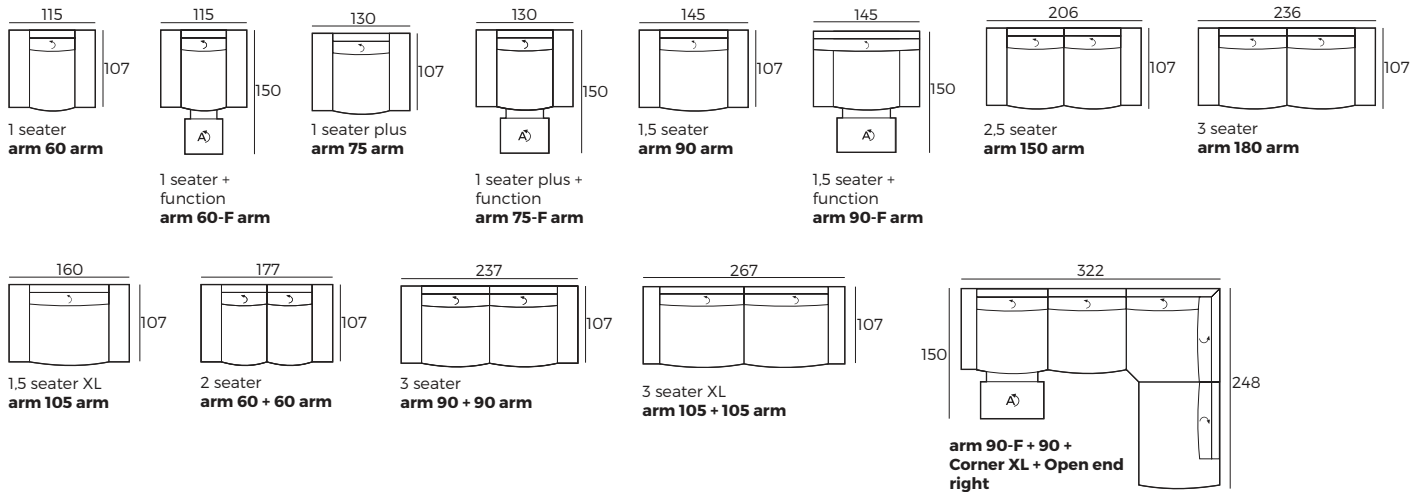


Modules with armrest (Measurements with SUNSET armrest)

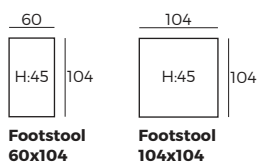
Scale 1:100



Combinations (Measurements with SUNSET armrest)



Accessories



⌋ - manual; ⌋ - electrical *F - single electric function

TAILOR F

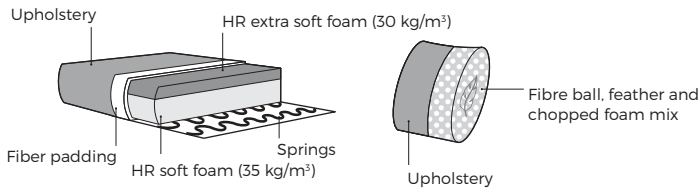


VILMERS

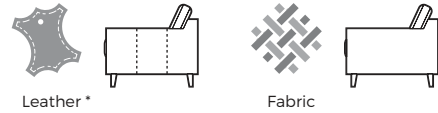
TAILOR F



Comfort

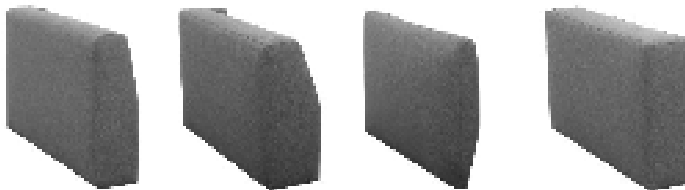


1. Upholstery



* Leather upholstery may require more stitches than fabric upholstery.

2. Armrests



STREET (2) W 23 x D 99 x H 58
OBLIK (3) W 27 x D 99 x H 58
BRERA (4) W 18 x D 99 x H 58
PINTO (5) W 18 x D 99 x H 53

3. Legs

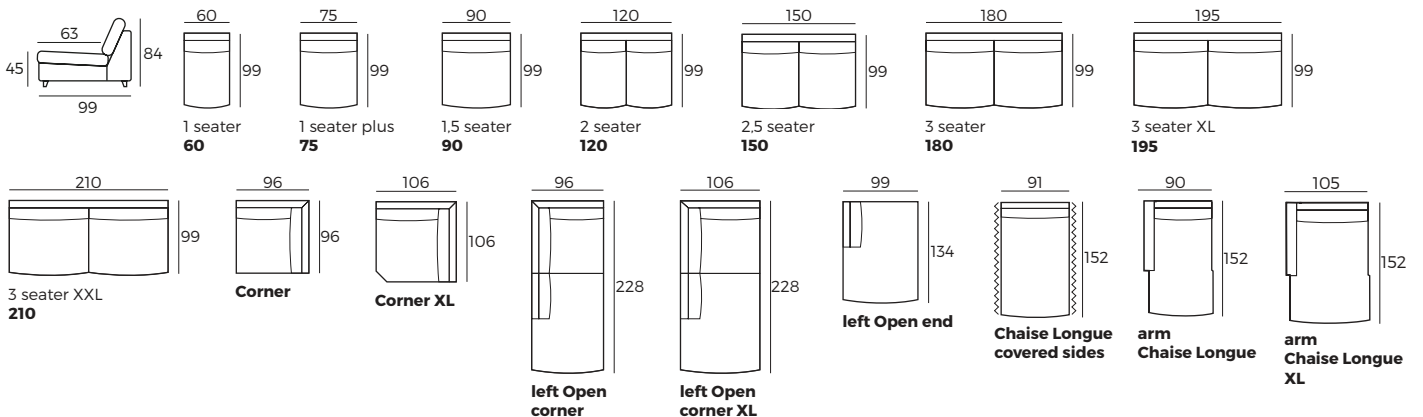


IMPORTANT:

Upholstered furniture is handmade using soft materials, therefore measurements can vary in all modules by up to **+/-2 cm**.
 Modules and combinations shown in 2D drawings are left-sided. Modules and combinations can be mirrored from left to right.

Modules (Measurements with STREET armrest)

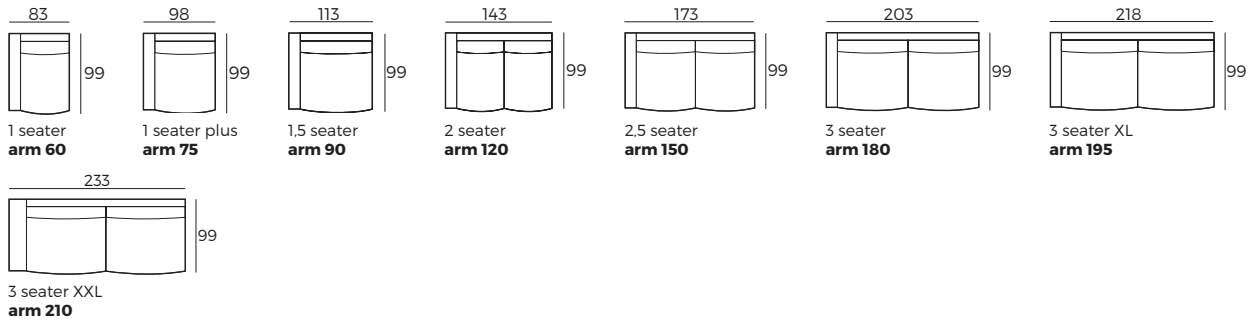
Scale 1:100



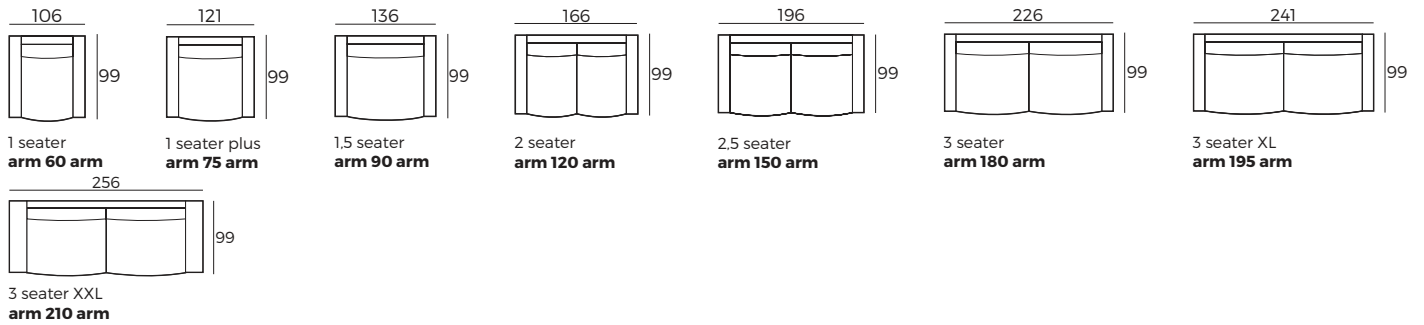
TAILOR F

Modules with armrest (Measurements with STREET armrest)

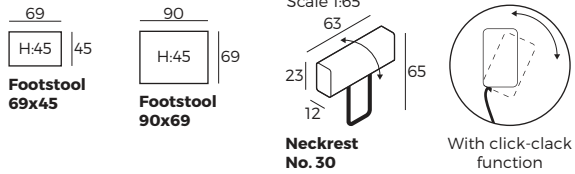
Scale 1:100



Combinations (Measurements with STREET armrest)



Accessories



TAILOR S

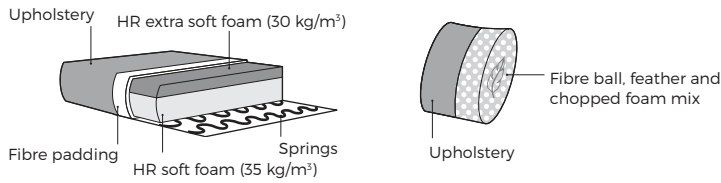


VILMERS

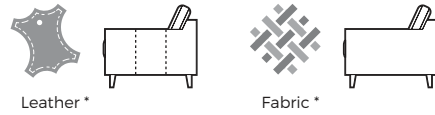
TAILOR S



Comfort

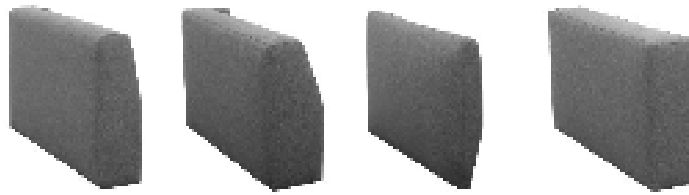


1. Upholstery



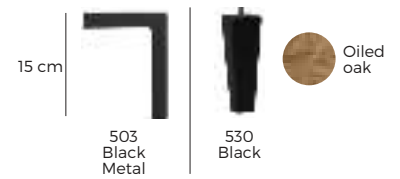
* Leather upholstery may require more stitches than fabric upholstery.

2. Armrests



STREET (2) W 23 x D 99 x H 52
OBLIK (3) W 27 x D 99 x H 52
BRERA (4) W 18 x D 99 x H 52
PINTO (5) W 18 x D 99 x H 46

3. Legs

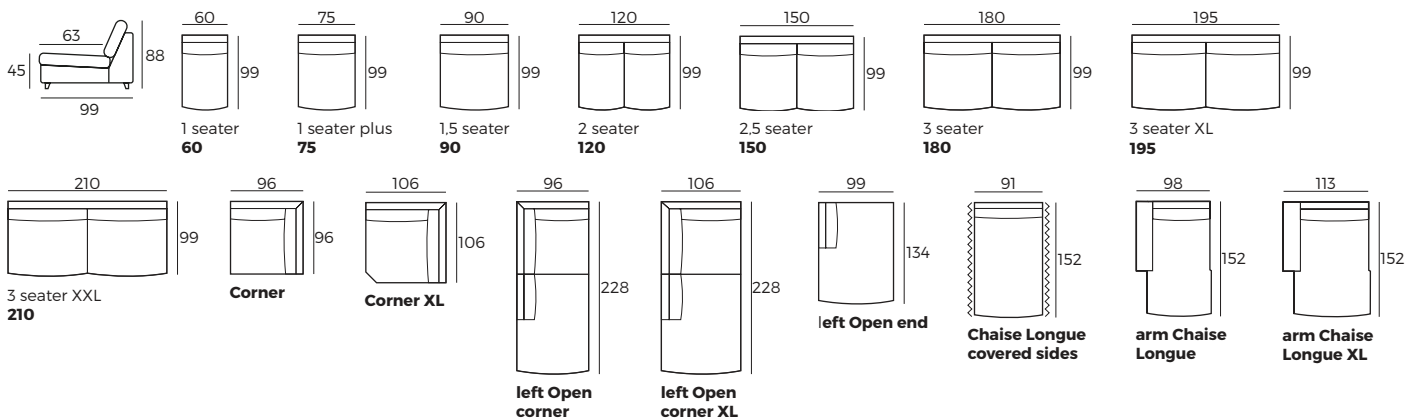


IMPORTANT:

Upholstered furniture is handmade using soft materials, therefore measurements can vary in all modules by up to **+/-2 cm**.
 Modules and combinations shown in 2D drawings are left-sided. Modules and combinations can be mirrored from left to right.

Modules (Measurements with STREET armrest)

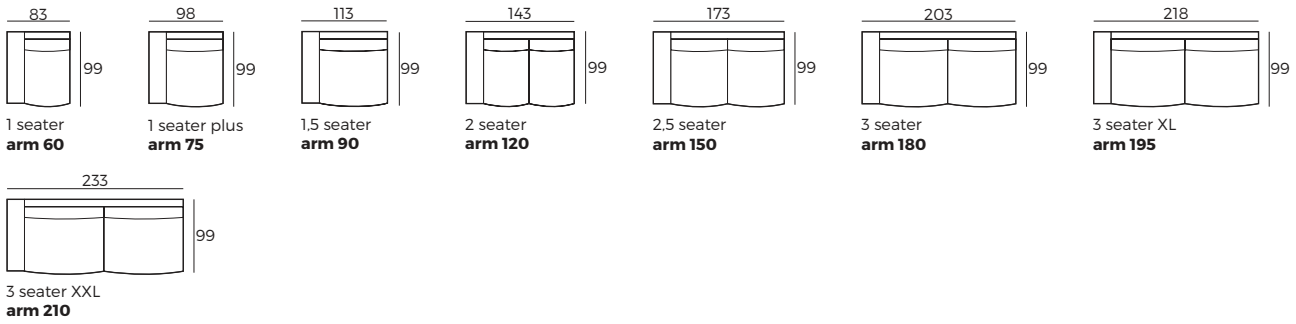
Scale 1:100



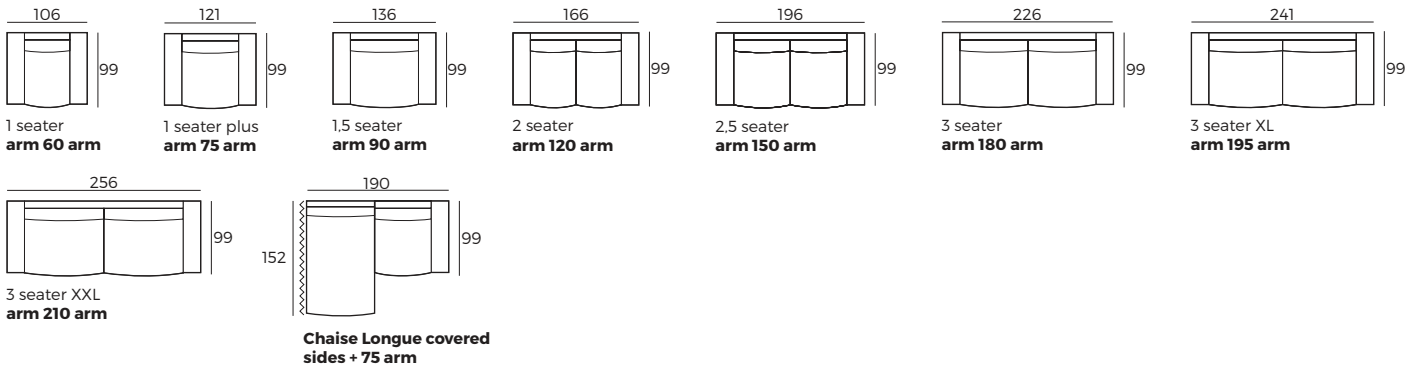
TAILORS

Modules with armrest (Measurements with STREET armrest)

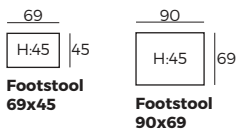
Scale 1:100



Combinations (Measurements with STREET armrest)



Accessories



THUJA



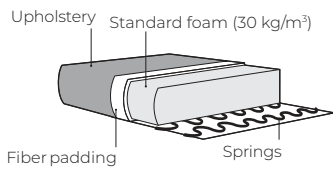
VILMERS

THUJA

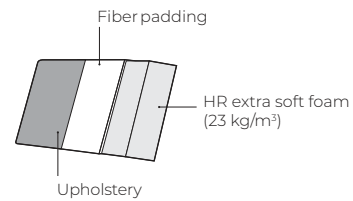
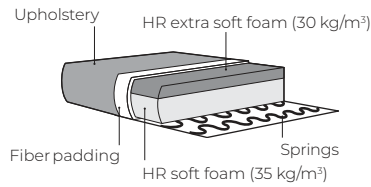


Comfort selection

HARD FOAM



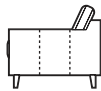
SOFT FOAM



1. Upholstery



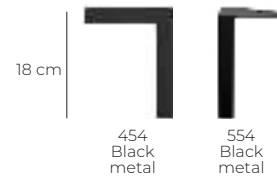
Leather*



Fabric

* Leather upholstery may require more stitches than fabric upholstery.

2. Legs

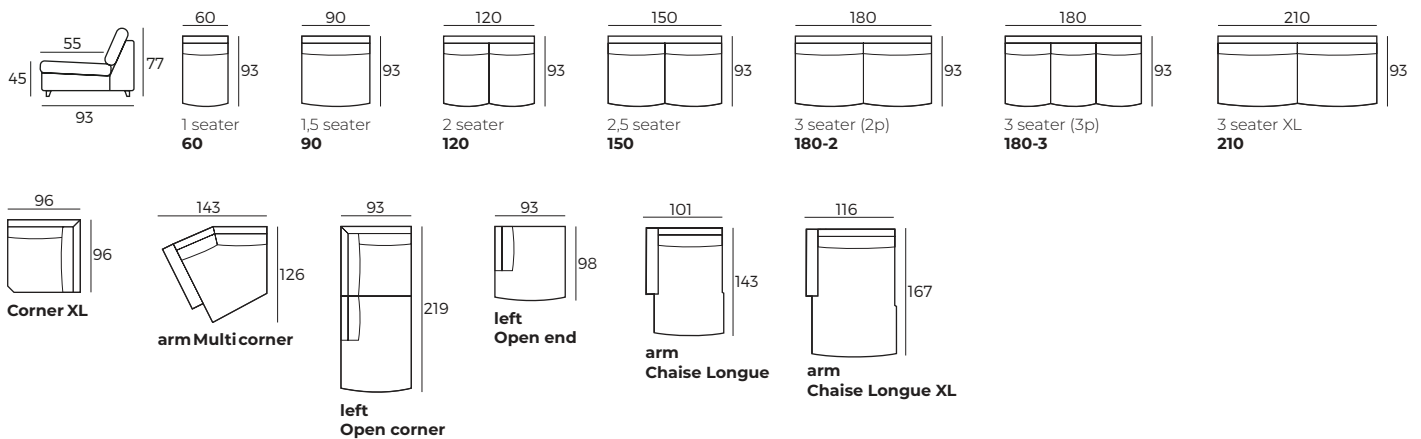


IMPORTANT:

Upholstered furniture is handmade using soft materials, therefore measurements can vary in all modules by up to **+/-2 cm**.
Modules and combinations shown in 2D drawings are left-sided. Modules and combinations can be mirrored from left to right.

Modules

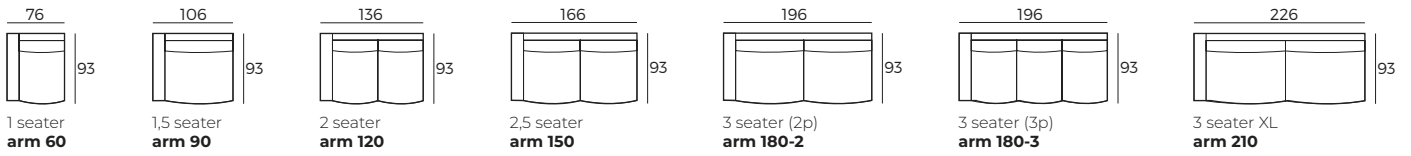
Scale 1:100



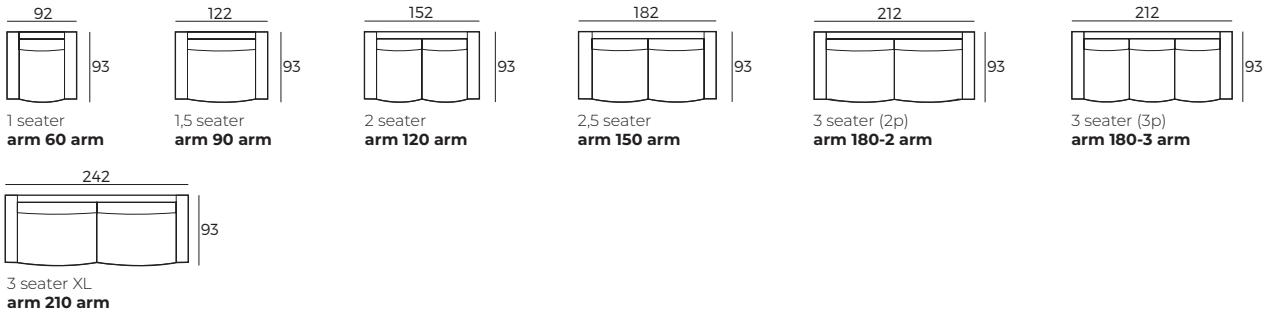
THUJA

Modules with armrest

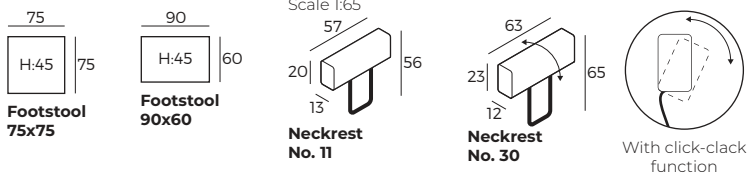
Scale 1:100



Combinations



Accessories



TULIP

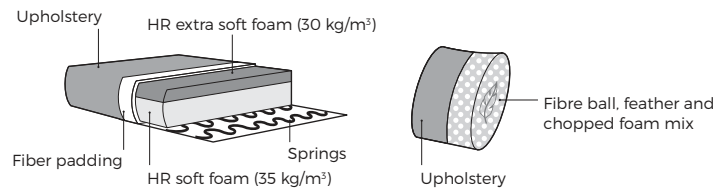


VILMERS

TULIP



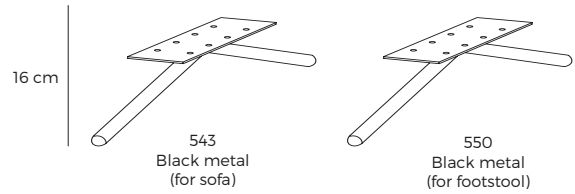
Comfort



1. Upholstery



2. Legs

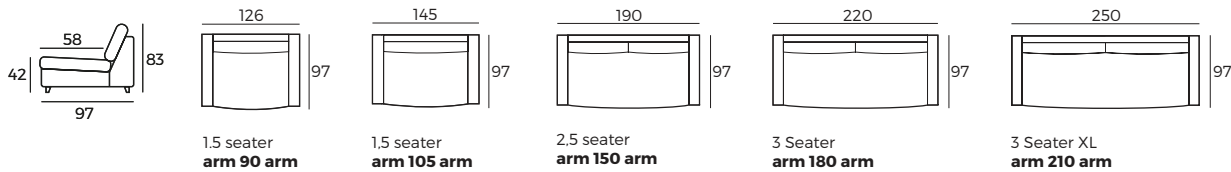


IMPORTANT:

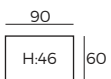
Upholstered furniture is handmade using soft materials, therefore measurements can vary in all modules by up to **+/-2cm**.
Modules and combinations shown in 2D drawings are left-sided. Modules and combinations can be mirrored from left to right.

Combinations

Scale 1:100



Accessories



Footstool
90x60

VALDEZ

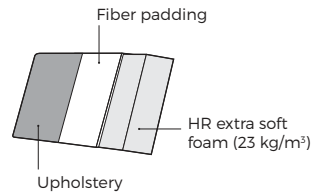
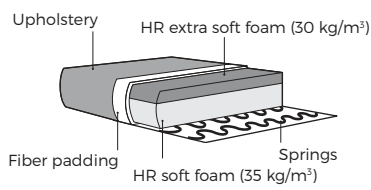


VILMERS

VALDEZ



Comfort



1. Upholstery



Fabric

2. Legs

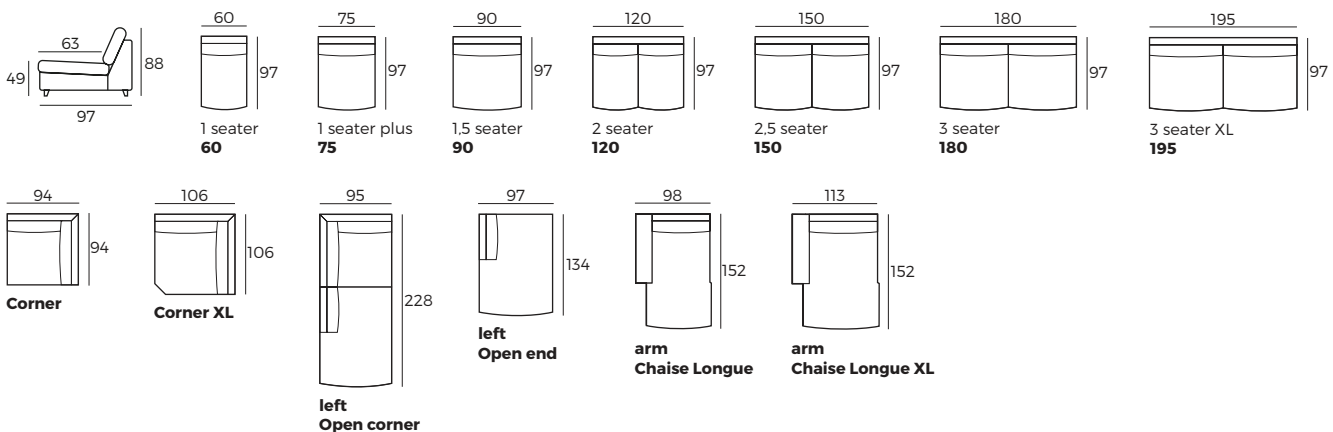


IMPORTANT:

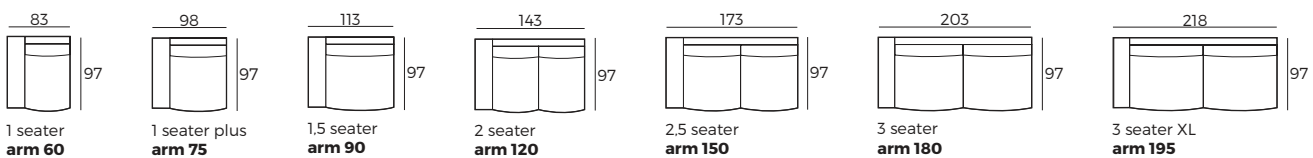
Upholstered furniture is handmade using soft materials, therefore measurements can vary in all modules by up to **+/-2 cm**.
Modules and combinations shown in 2D drawings are left-sided. Modules and combinations can be mirrored from left to right.

Modules

Scale 1:100



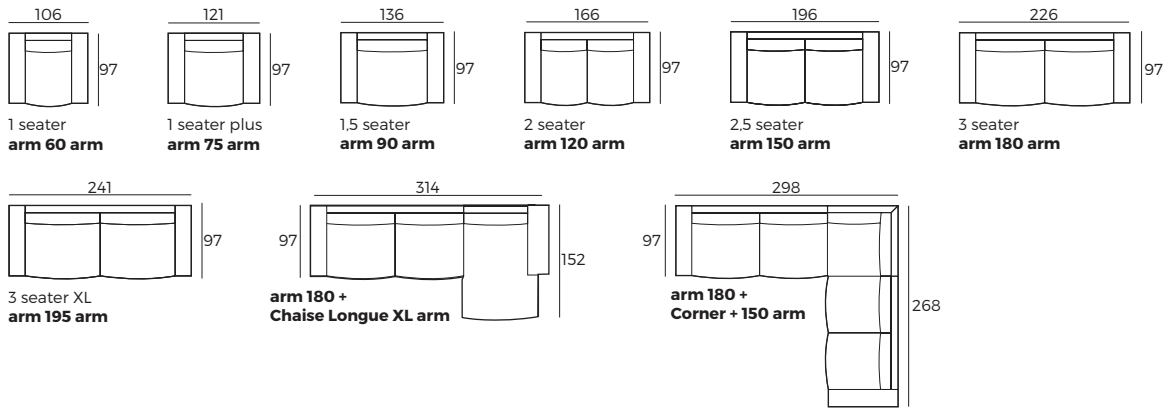
Modules with armrest



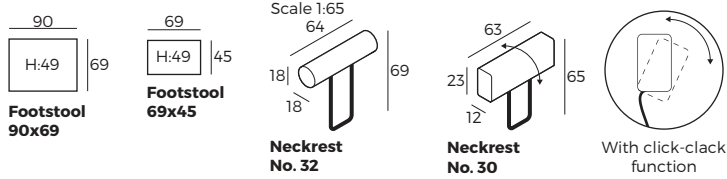
VALDEZ

Combinations

Scale 1:100



Accessories



VELOV

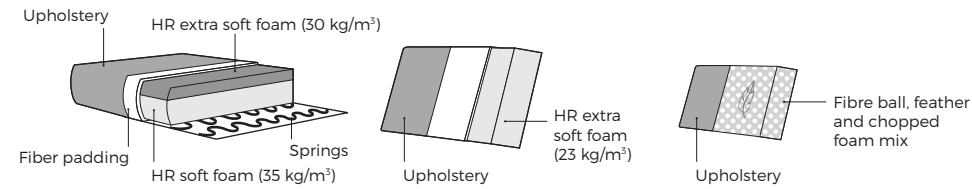


VILMERS

VELOV



Comfort



1. Upholstery



2. Legs

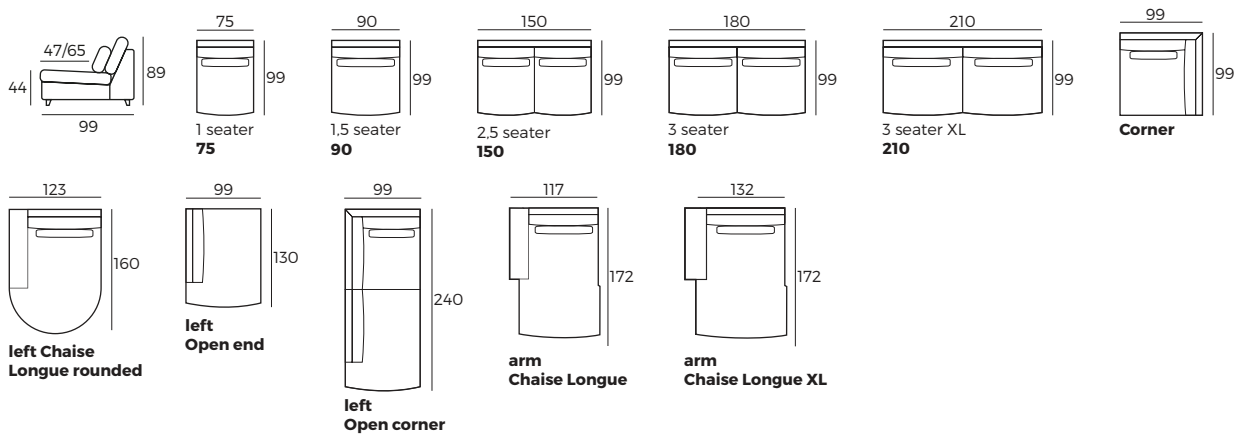


IMPORTANT:

Upholstered furniture is handmade using soft materials, therefore measurements can vary in all modules by up to **+/-2 cm**. Modules and combinations shown in 2D drawings are left-sided. Modules and combinations can be mirrored from left to right.

Modules

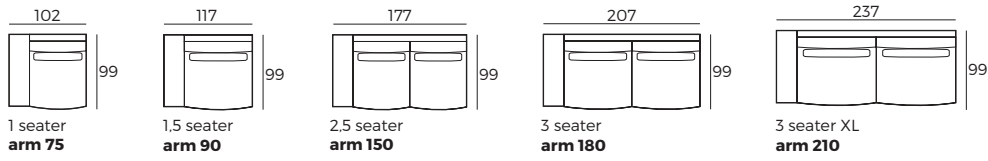
Scale 1:100



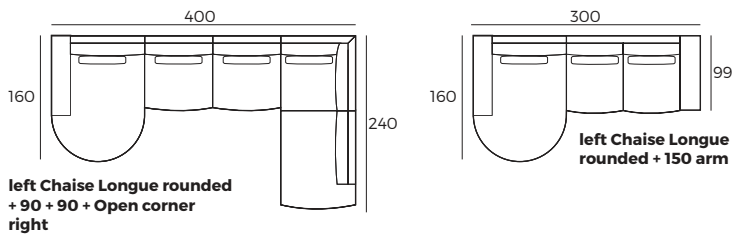
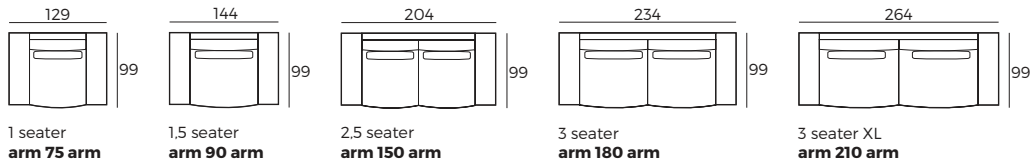
VELOV

Modules with armrest

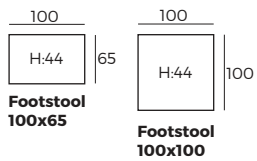
Scale 1:100



Combinations



Accessories



VIU

by BÖTTCHER & KAYSER



VILMERS

vilmers.com



REST ASSURED



VIU enables a spontaneous changeability. The upholstered modules are put together according to the usage requirements and personal taste. They can be swapped or rotated as needed. In this way, new seating and reclining landscapes can be created as required in just a few simple steps. VIU can be playfully integrated into our lives.

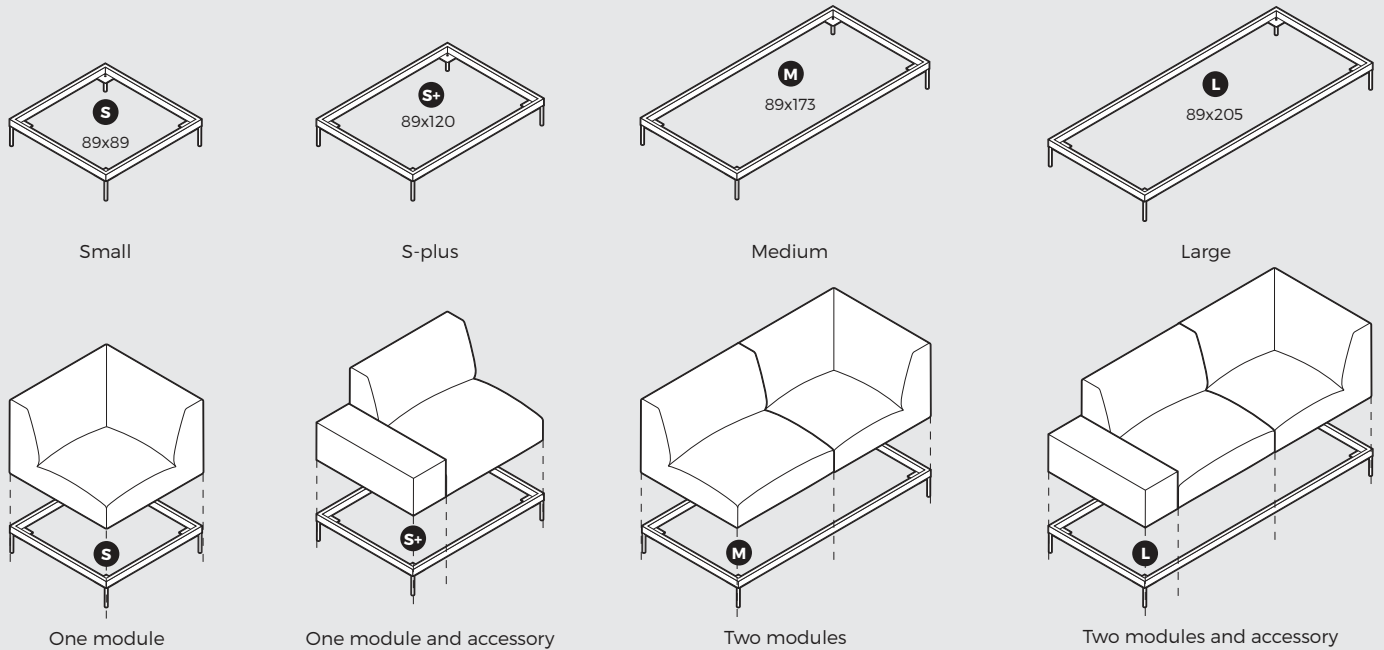


Scale 1:50

1. SINGLE FRAME PARTS

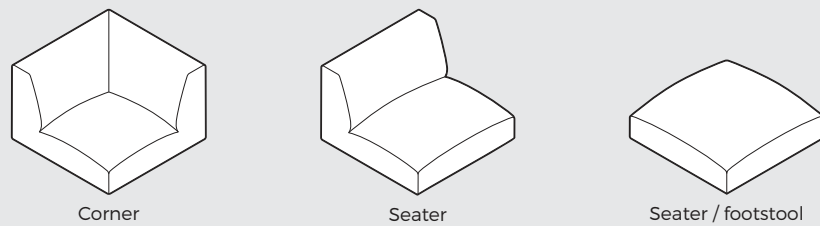
Different frames can be equipped with three different modules. Four options of frames are available, accommodating either one module, two modules one module or two modules with an accessory. The modules can be placed in any order and direction.

Scale 1:50

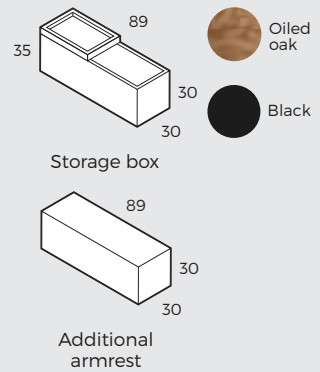


2. SINGLE MODULE PARTS

There is a possibility to choose between three different back heights. Depending on the need and preference, this allows upright sitting, lounging or lying down. **The base size of all modules is 89x89 cm.**

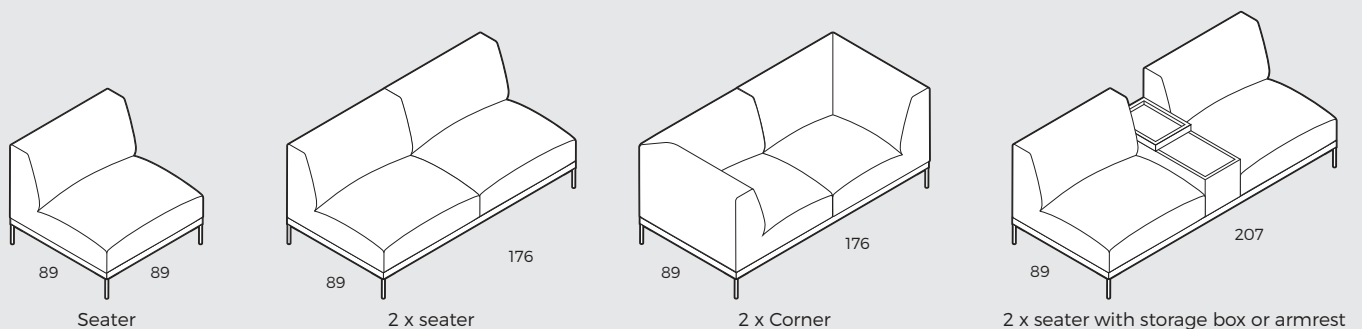


3. ACCESSORIES



4. SUGGESTED COMBINATIONS

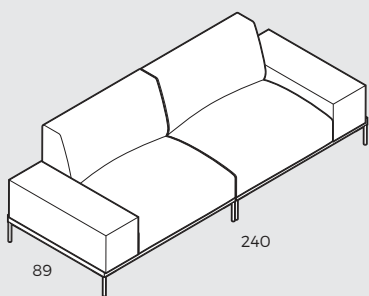
IMPORTANT! Upholstered furniture is handmade using soft materials, therefore measurements can vary in all modules by up to +/- 2 cm.



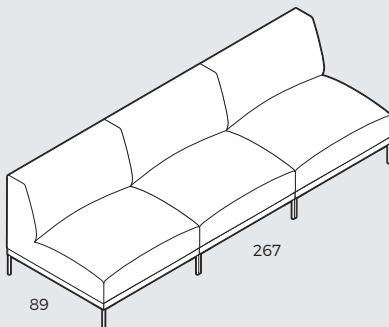


4. SUGGESTED COMBINATIONS

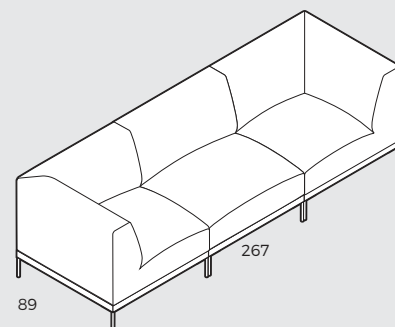
IMPORTANT! Upholstered furniture is handmade using soft materials therefore measurements may vary up to +/- 2 cm.



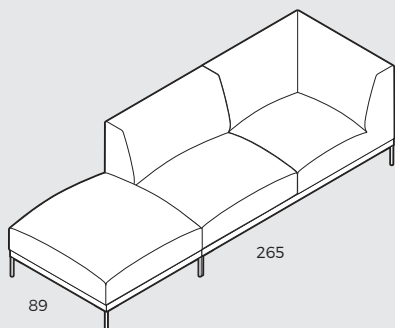
2 x seater +
2 x additional armrest



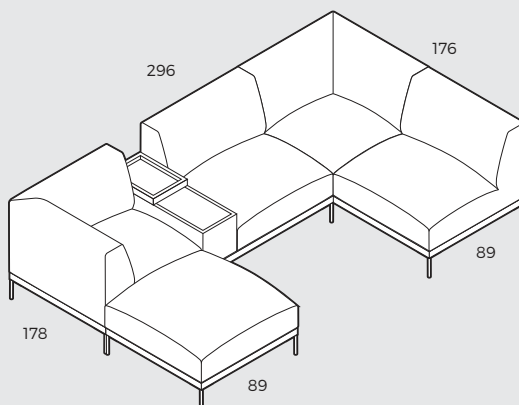
3 x seater



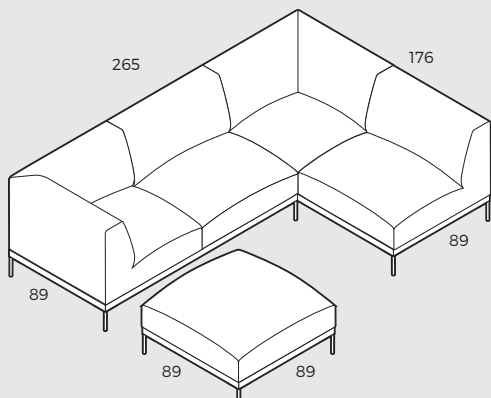
2 x Corner + 1 seater



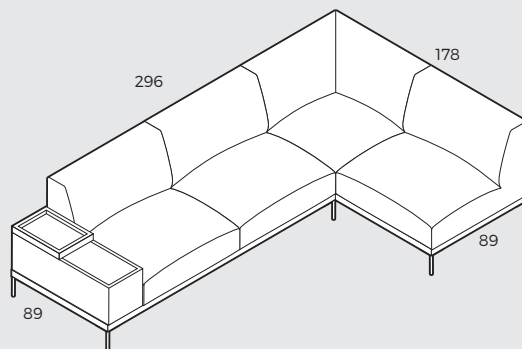
1 x footstool + 1 x seater + 1 x Corner



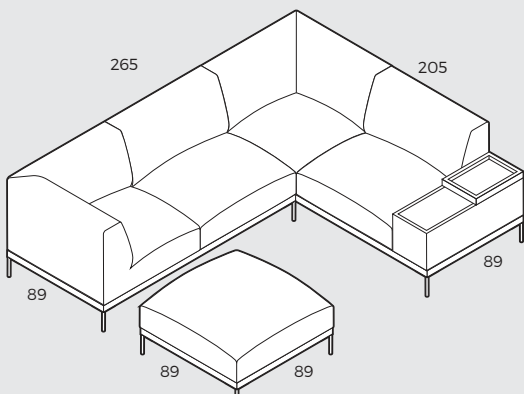
1 x Corner + 1 x corner + 2 x seater + 1 x footstool + 1 x
storage box or armrest



1 x Corner + 1 x corner + 2 x seater + 1 x footstool



1 x corner + 3 x seater + 1 x storage box or armrest



1 x Corner + 1 x corner + 2 x seater +
1 x storage box + 1 x footstool

REST ASSURED

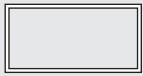


Scale 1:100

5. FURTHER LAYOUT EXAMPLES FROM ONE COMBINATION

IMPORTANT! Upholstered furniture is handmade using soft materials, therefore measurements may vary up to +/- 2 cm.

Single frame parts



2x



1x

Seating modules



2x

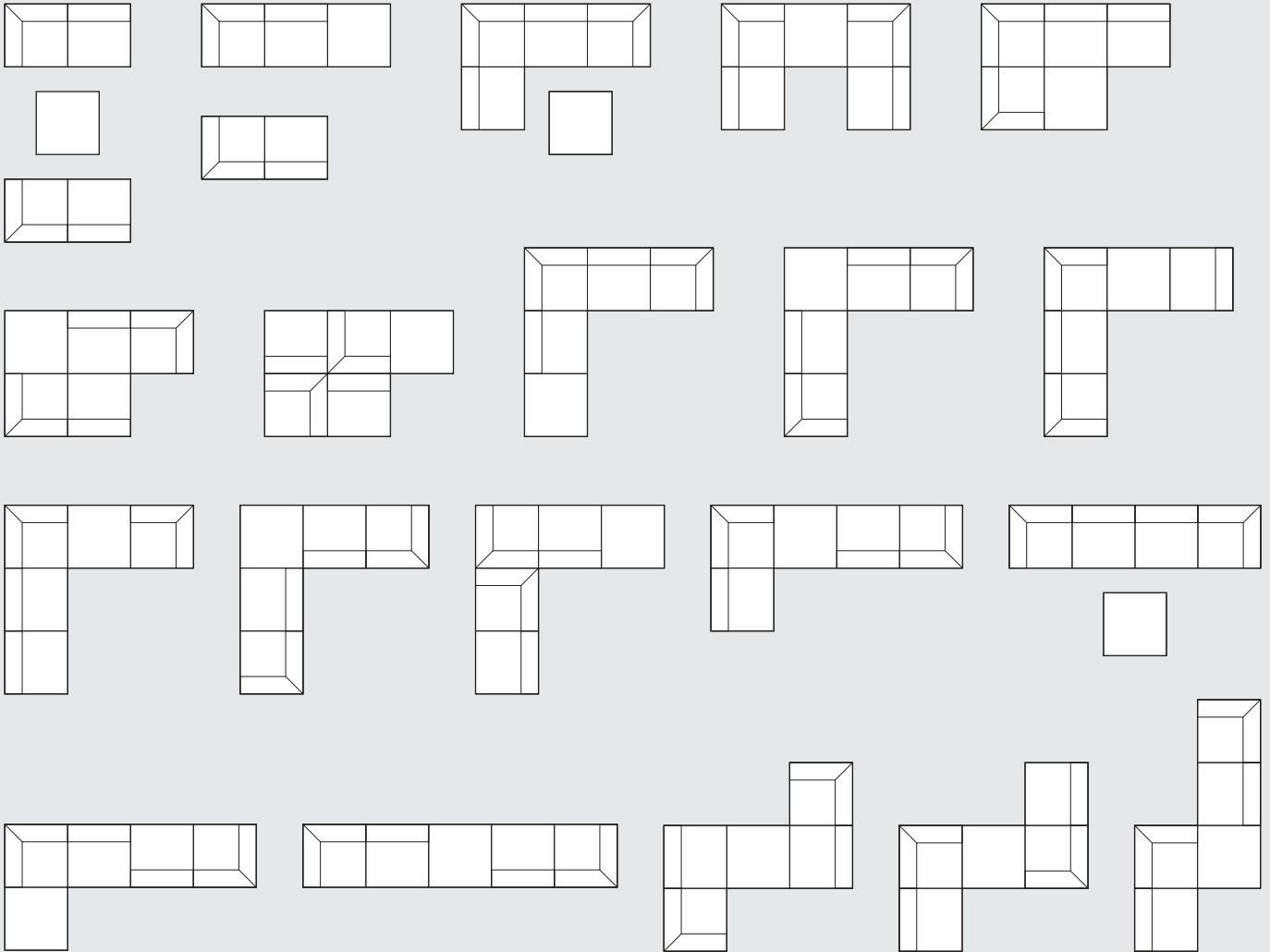


2x



1x

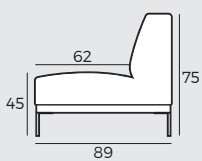
Eight elements for endless combinations and layouts according to the needs or changing environments.



REST ASSURED

6. TECHNICAL DATA

Measurements



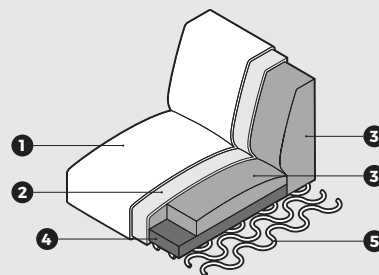
Upholstery



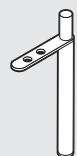
Fabric

Comfort

1. Upholstery.
2. Fiber padding.
3. HR extra soft foam (30 kg/m³).
4. HR soft foam (35 kg/m³).
5. Springs.



Legs



Black metal
15 cm



REST ASSURED

7. DESIGNERS



"Design means everyday culture. It helps us to enjoy and simplify life. We are fascinated by the process that starts with an idea, becomes substance and hopefully results in a long and pleasurable use for its qualities. That's how we understand reasonability and sustainability."

Berlin based designers
BÖTTCHER & KAYSER

WILLOW

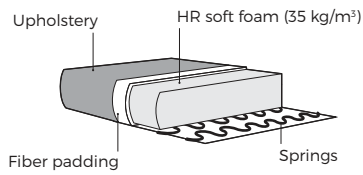


VILMERS

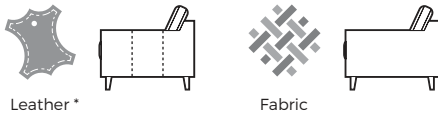
WILLOW



Comfort



1. Upholstery



* Leather upholstery may require more stitches than fabric upholstery.

2. Legs

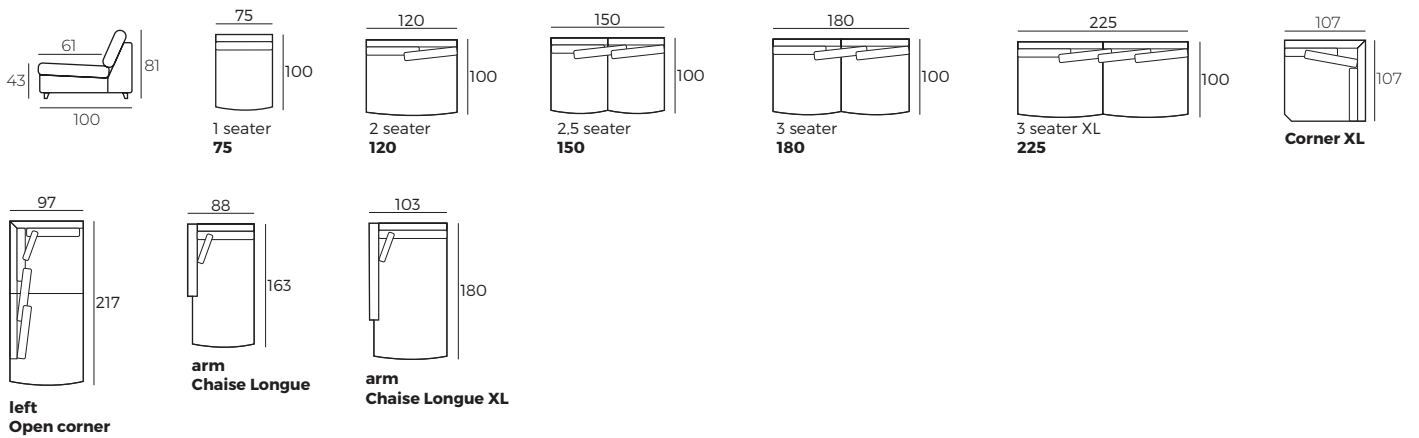


IMPORTANT:

Upholstered furniture is handmade using soft materials therefore measurements may vary up to +/- 2 cm.
Modules and combinations shown in 2D drawings are left-sided. Modules and combinations can be mirrored from left to right.

Modules

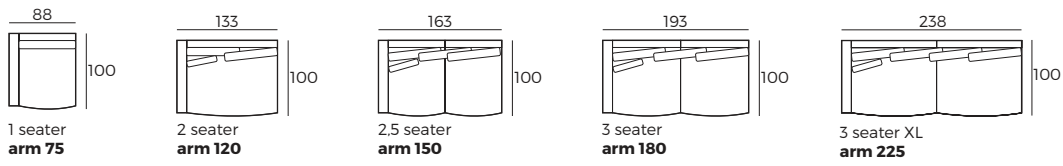
Scale 1:100



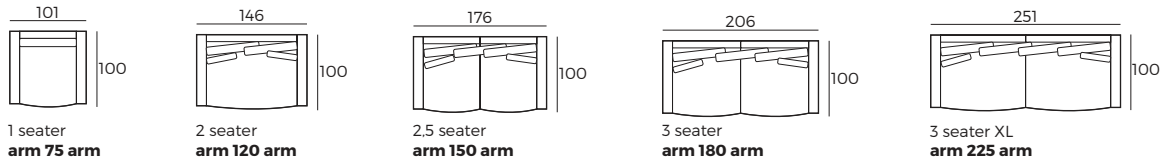
WILLOW

Modules with armrest

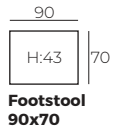
Scale 1:100



Combinations



Accessories



WIND



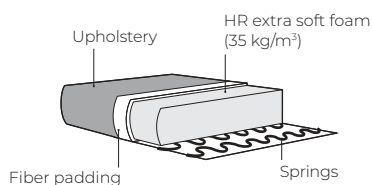
VILMERS

WIND

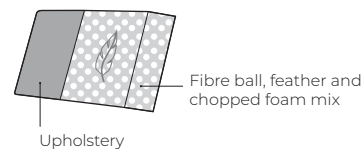
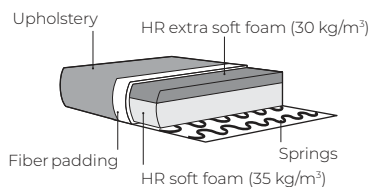


Comfort

1.



2.



1. Upholstery



Fabric

2. Legs

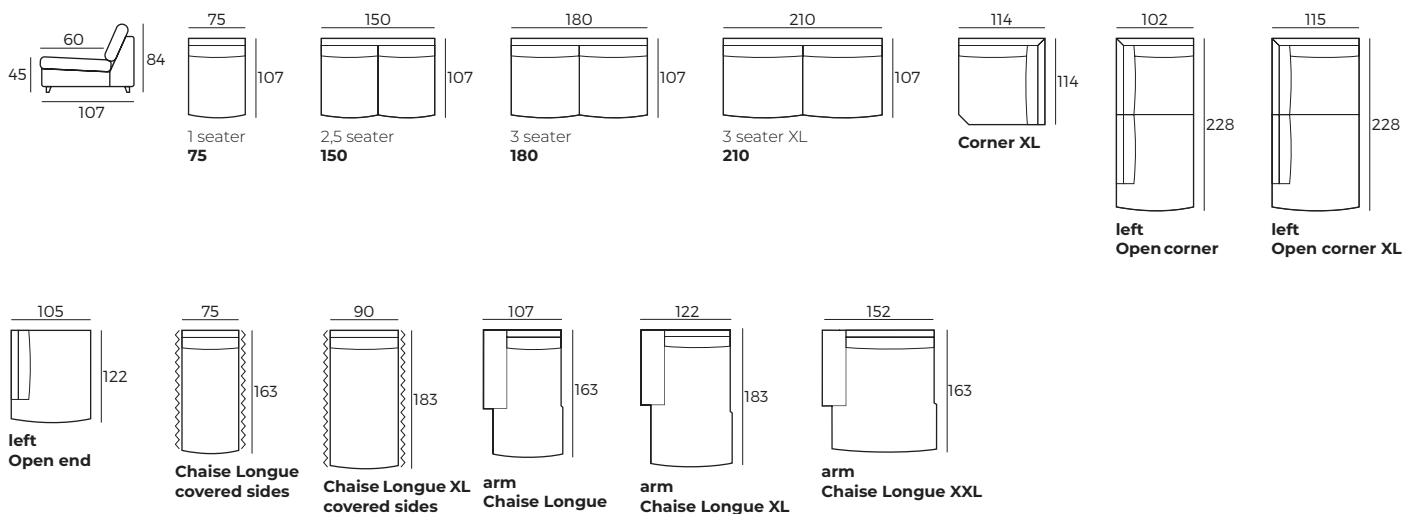


IMPORTANT:

Upholstered furniture is handmade using soft materials, therefore measurements can vary in all modules by up to **+/-2 cm**. Modules and combinations shown in 2D drawings are left-sided. Modules and combinations can be mirrored from left to right.

Modules

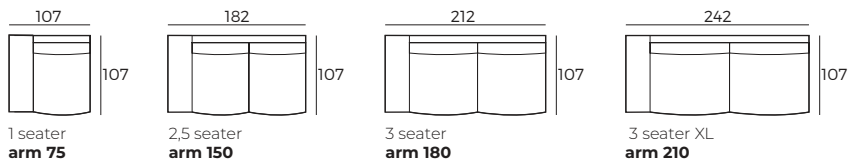
Scale 1:100



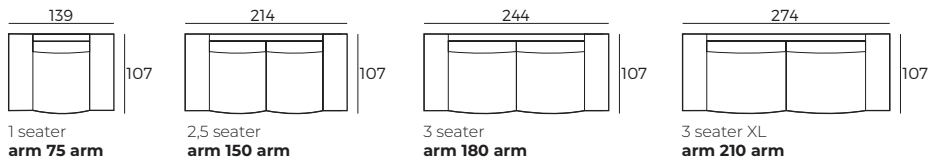
WIND

Modules with armrest

Scale 1:100



Combinations



Accessories

