

LIV

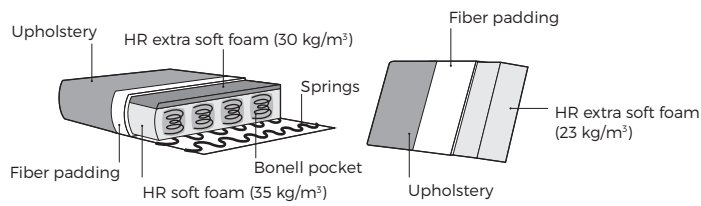


VILMERS

LIV



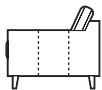
Comfort



1. Upholstery



Leather*



Fabric

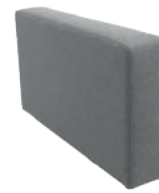
* Leather upholstery may require more stitches than fabric upholstery.

2. Armrest



FLEXY

W 12/20 x D 90 x H 51



SHARE

W 16 x D 90 x H 48



EVY

W 18 x D 90 x H 52

3. Legs



393
Black metal



387
Black metal



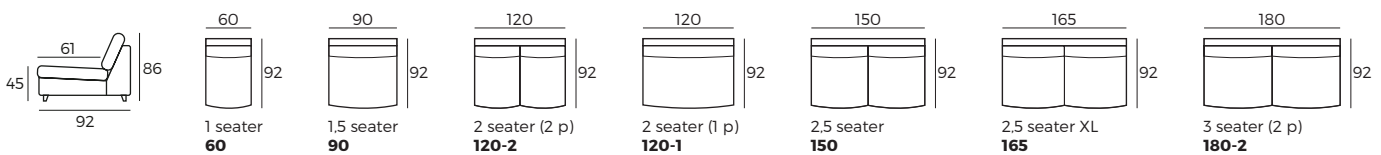
385
Black metal

IMPORTANT:

Upholstered furniture is handmade using soft materials, therefore measurements can vary in all modules by up to **+/-2 cm**.
Modules and combinations shown in 2D drawings are left-sided. Modules and combinations can be mirrored from left to right.

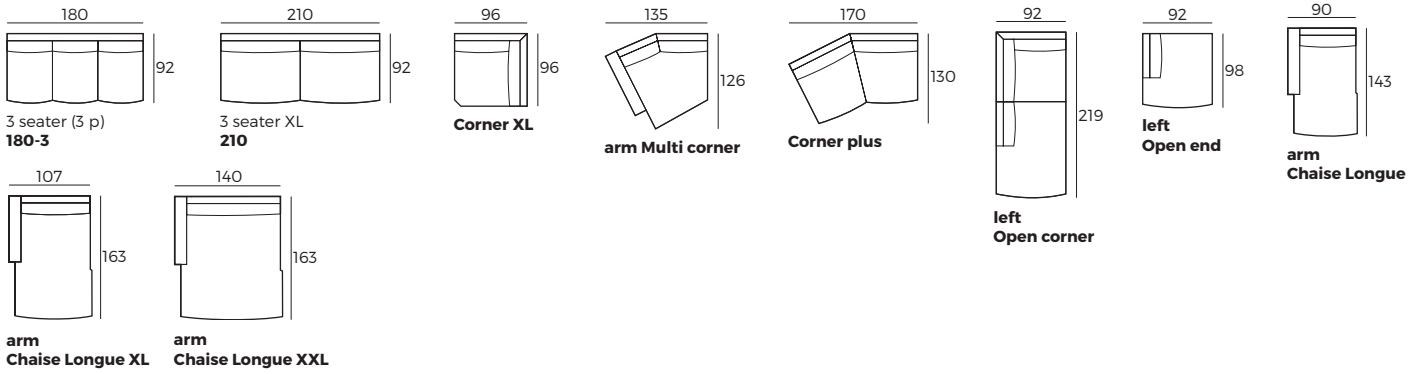
Modules (Measurements with SHARE armrest)

Scale 1:100

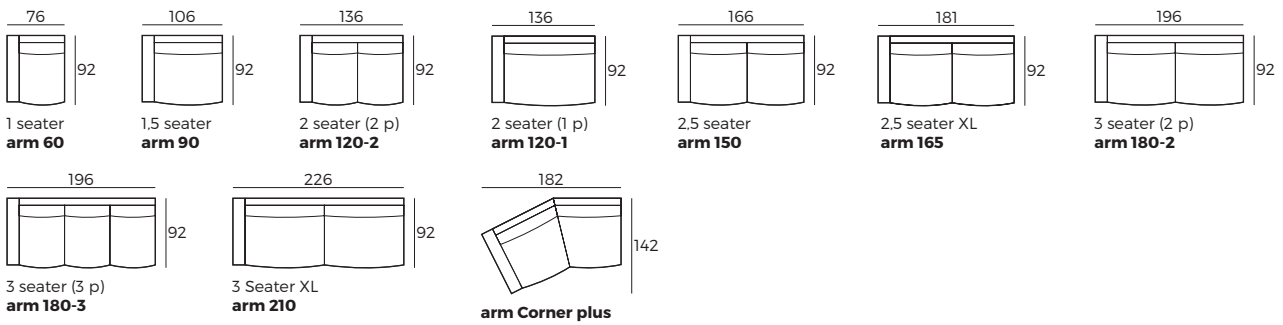


Modules (Measurements with SHARE armrest)

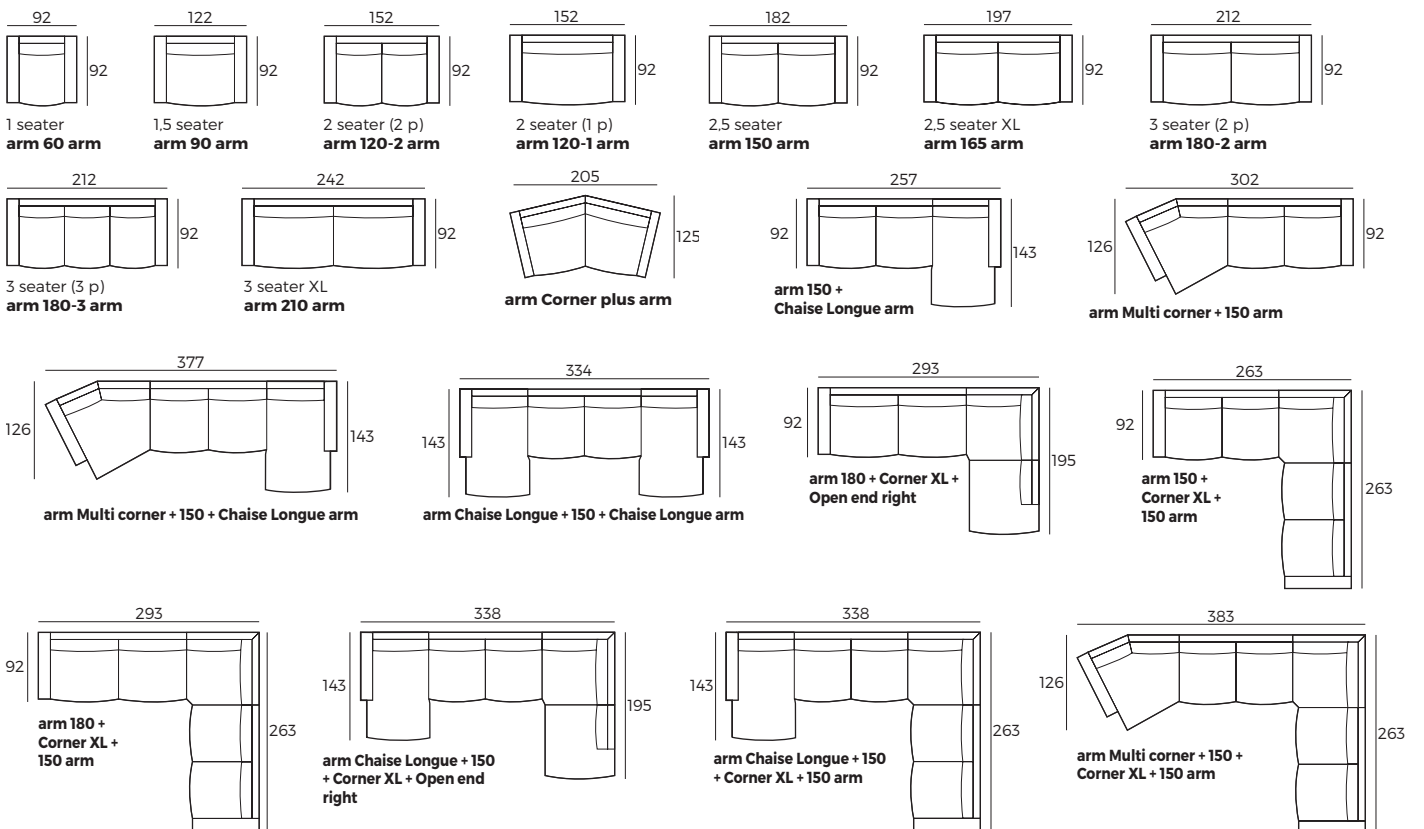
Scale 1:100



Modules with armrest (Measurements with SHARE armrest)



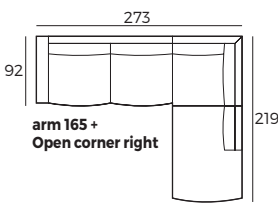
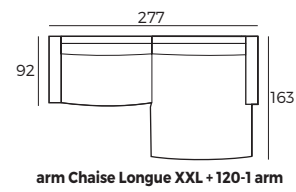
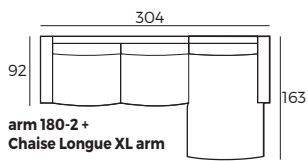
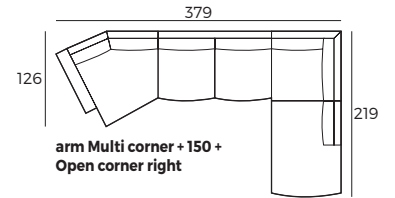
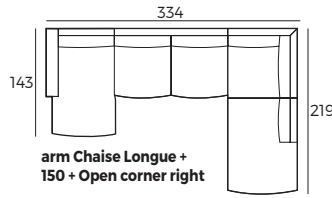
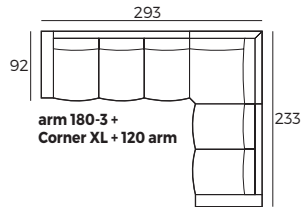
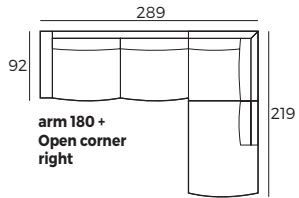
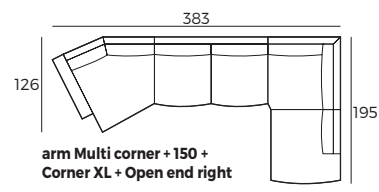
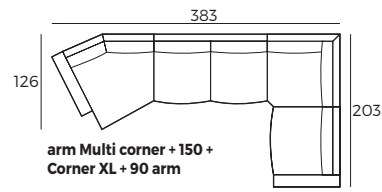
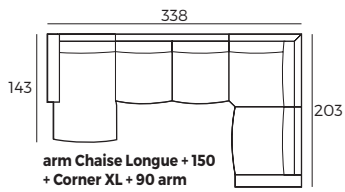
Combinations (Measurements with SHARE armrest)



LIV

Combinations (Measurements with SHARE armrest)

Scale 1:100



Accessories

