

LARVIK

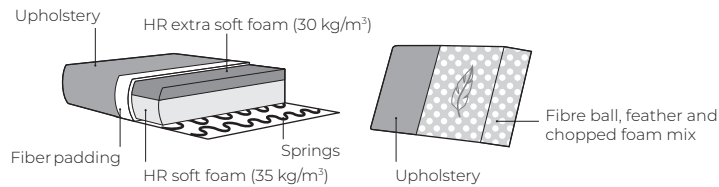


VILMERS

LARVIK



Comfort



1. Upholstery



2. Armrests



OMEGA*
W 3 x D 96 x H 65



BLOW
W 32 x D 105 x H 56

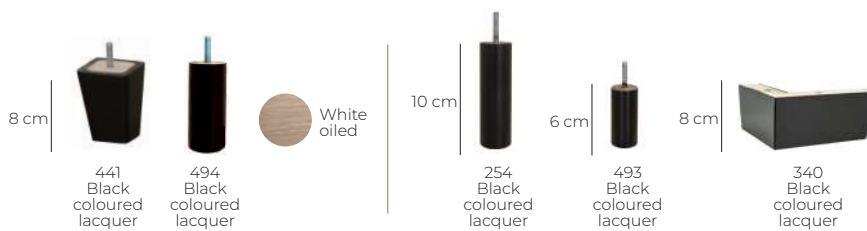


STREET
W 25 x D 105 x H 56



BENTO
W 21 x D 105 x H 56

3. Legs

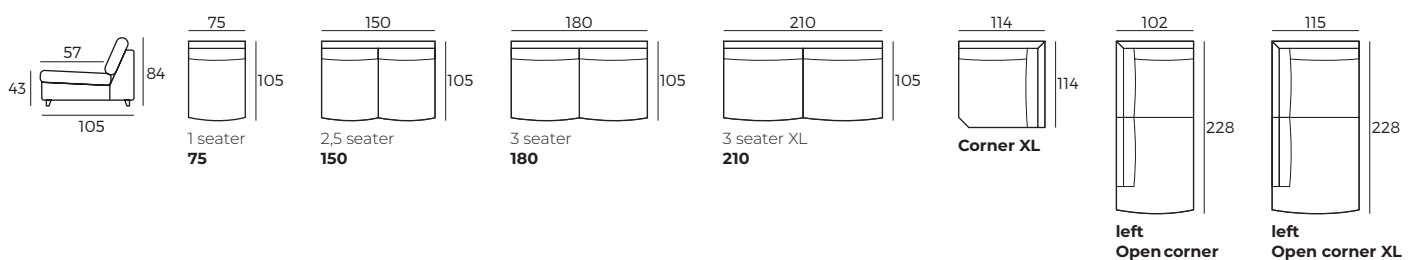


IMPORTANT:

Upholstered furniture is handmade using soft materials, therefore measurements can vary in all modules by up to **+/-2 cm**.
Modules and combinations shown in 2D drawings are left-sided. Modules and combinations can be mirrored from left to right.
For an additional fee, the sides of each seater module can be covered in fabric.

Modules (Measurements with STREET armrest)

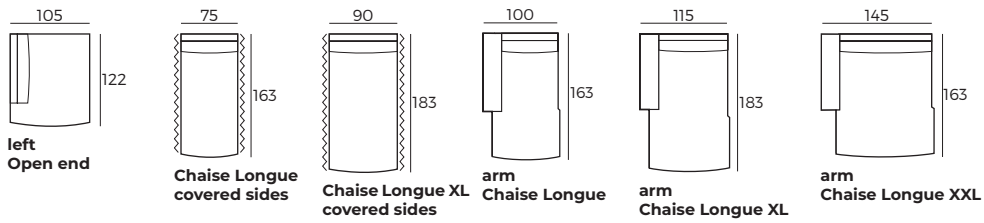
Scale 1:100



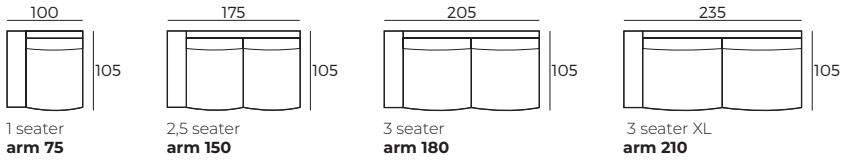
LARVIK

Modules (Measurements with STREET armrest)

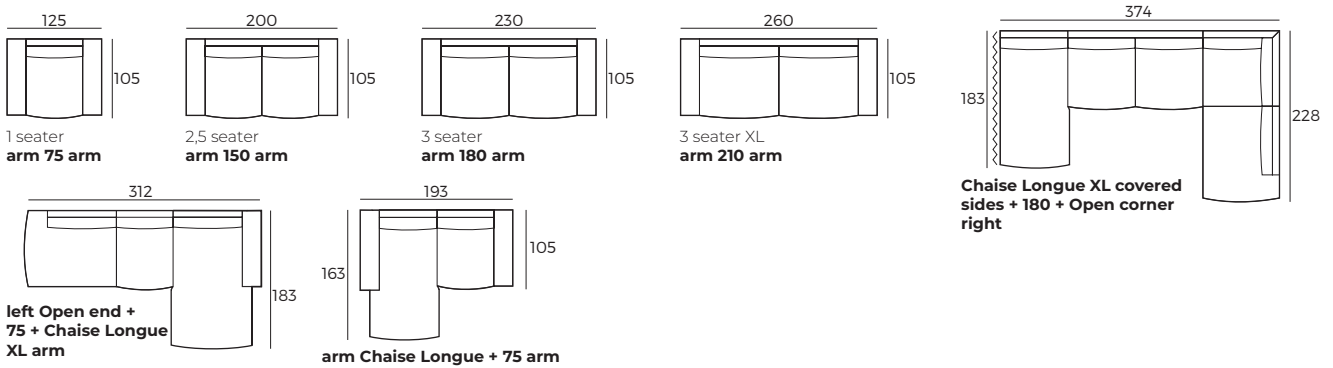
Scale 1:100



Modules with armrest (Measurements with STREET armrest)



Combinations (Measurements with STREET armrest)



Accessories

