

FIELD

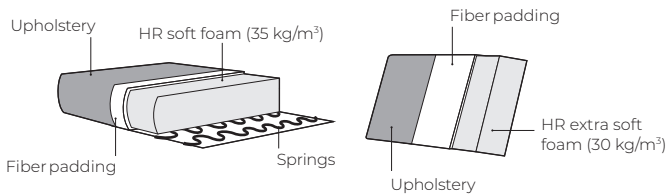


VILMERS

FIELD



Comfort



1. Upholstery



* Leather upholstery may require more stitches than fabric upholstery.

2. Armrests



3. Legs

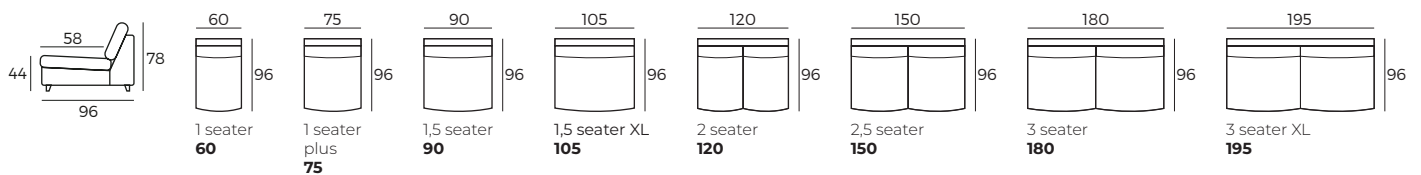


IMPORTANT:

Upholstered furniture is handmade using soft materials, therefore measurements can vary in all modules by up to **+/- 2 cm**.
Modules and combinations shown in 2D drawings are left-sided. Modules and combinations can be mirrored from left to right.
For an additional fee, the sides of each seater module can be covered in fabric.

Modules (Measurements with GRANDE armrest)

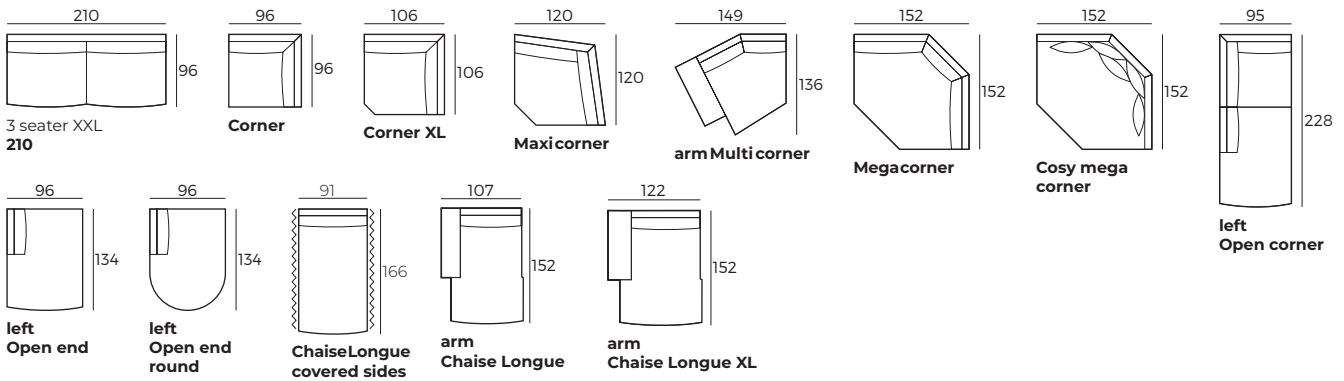
Scale 1:100



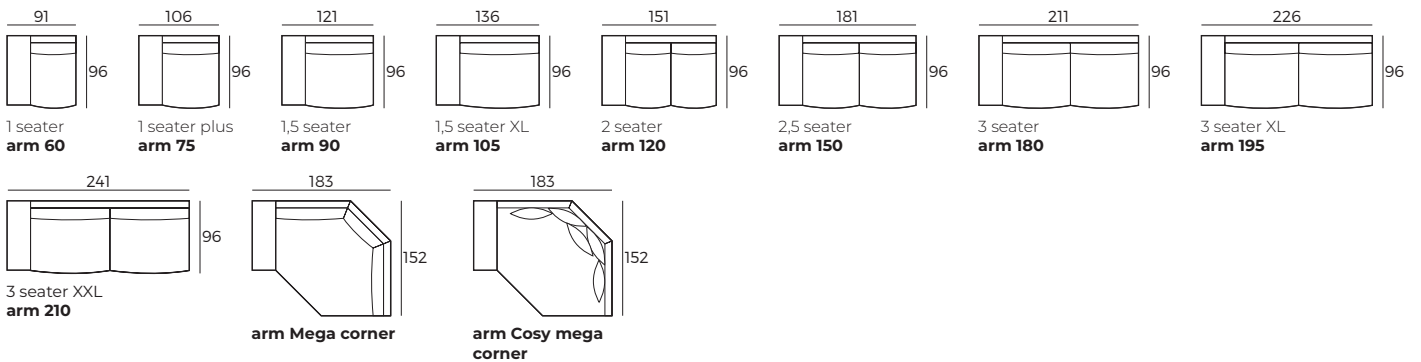
FIELD

Modules (Measurements with GRANDE armrest)

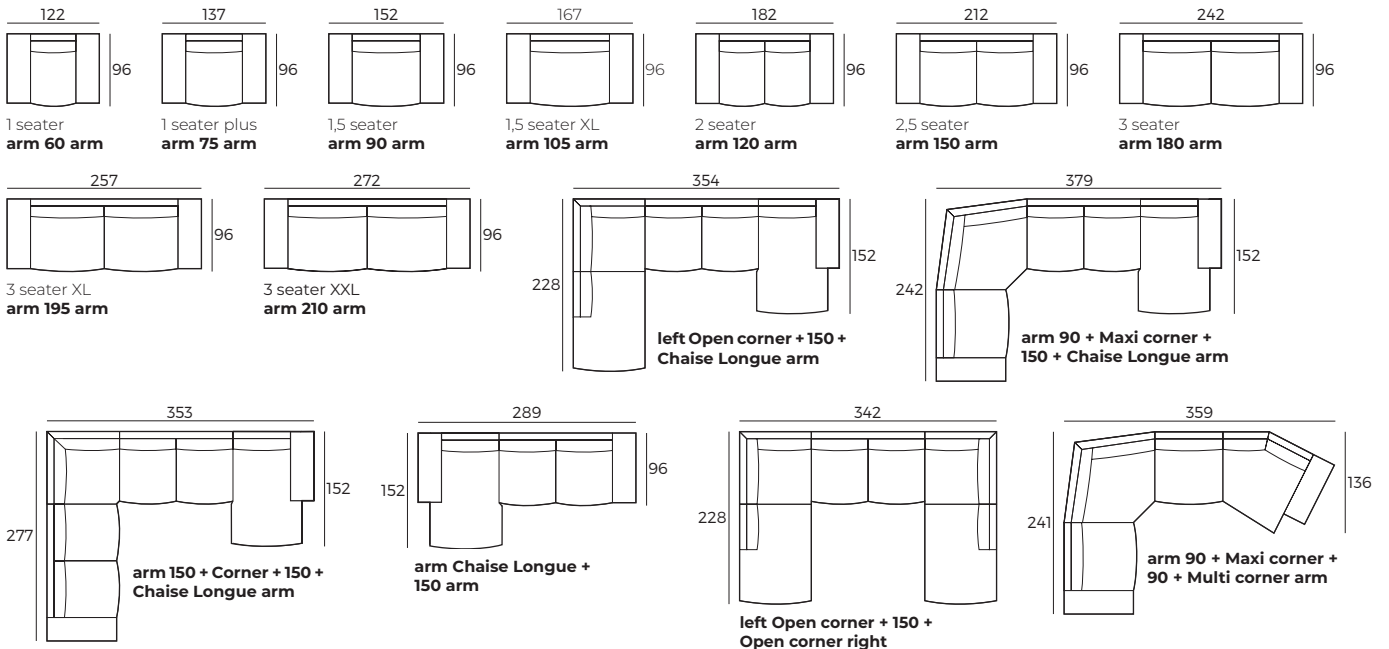
Scale 1:100



Modules with armrest (Measurements with GRANDE armrest)



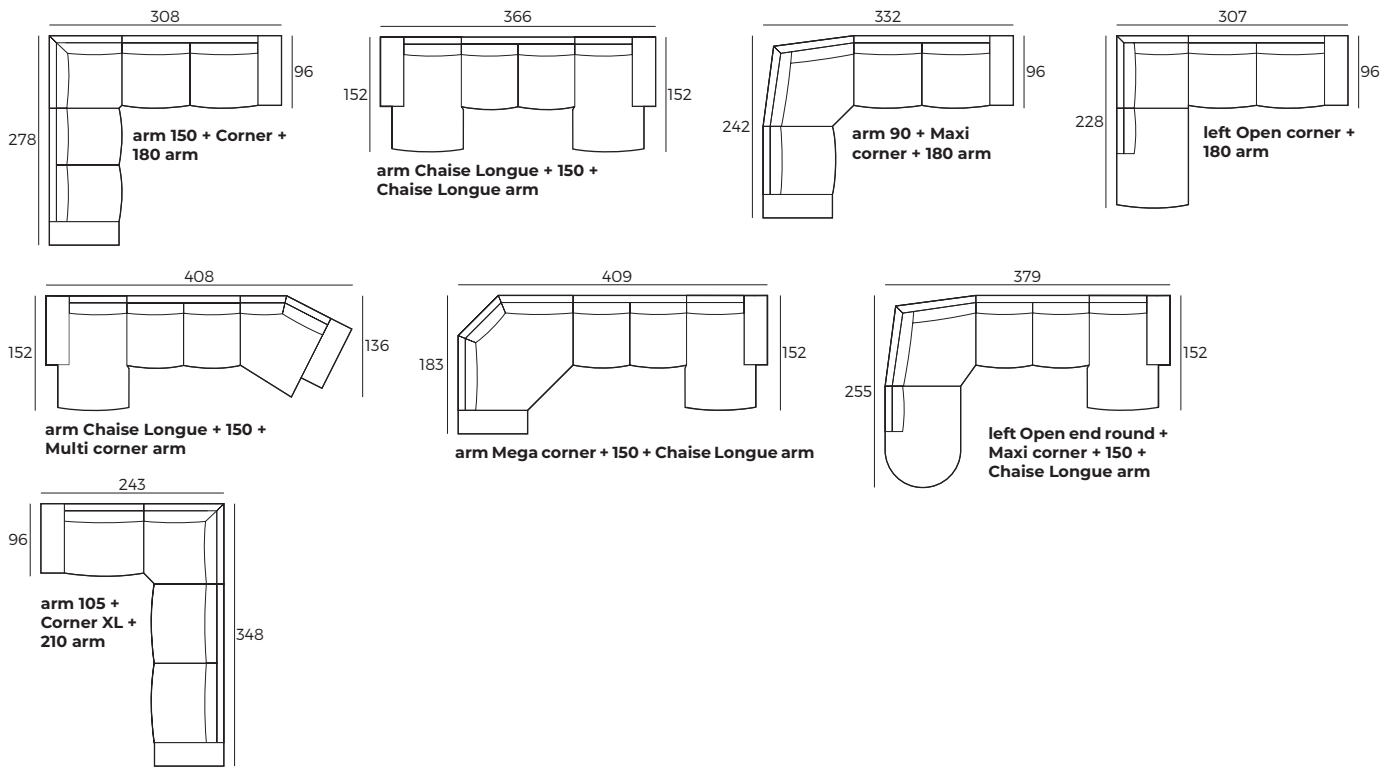
Combinations (Measurements with GRANDE armrest)



FIELD

Combinations (Measurements with GRANDE armrest)

Scale 1:100



Accessories

