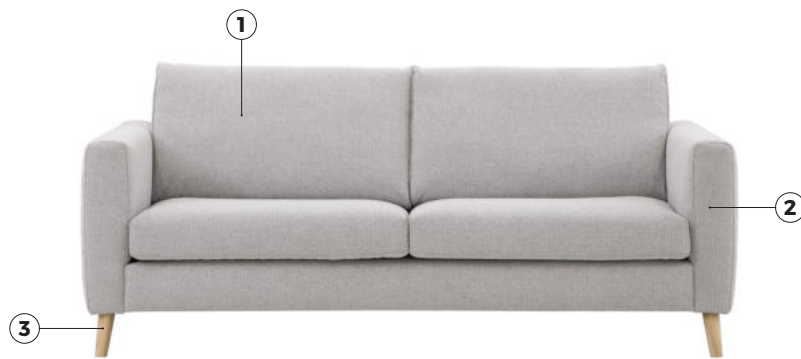


INGA

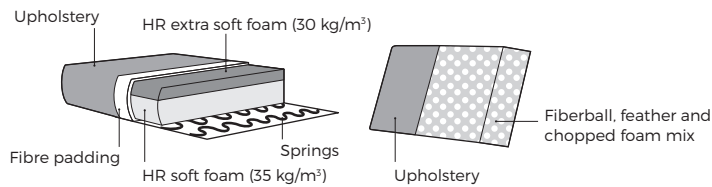


VILMERS

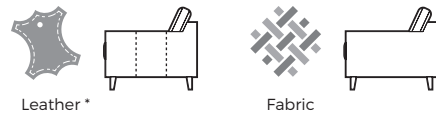
INGA



Comfort



1. Upholstery



* Leather upholstery may require more stitches than fabric upholstery.

2. Armrests



1 W 18 x D 90 x H 54
2 W 19 x D 90 x H 54
3 W 17 x D 90 x H 54

3. Legs

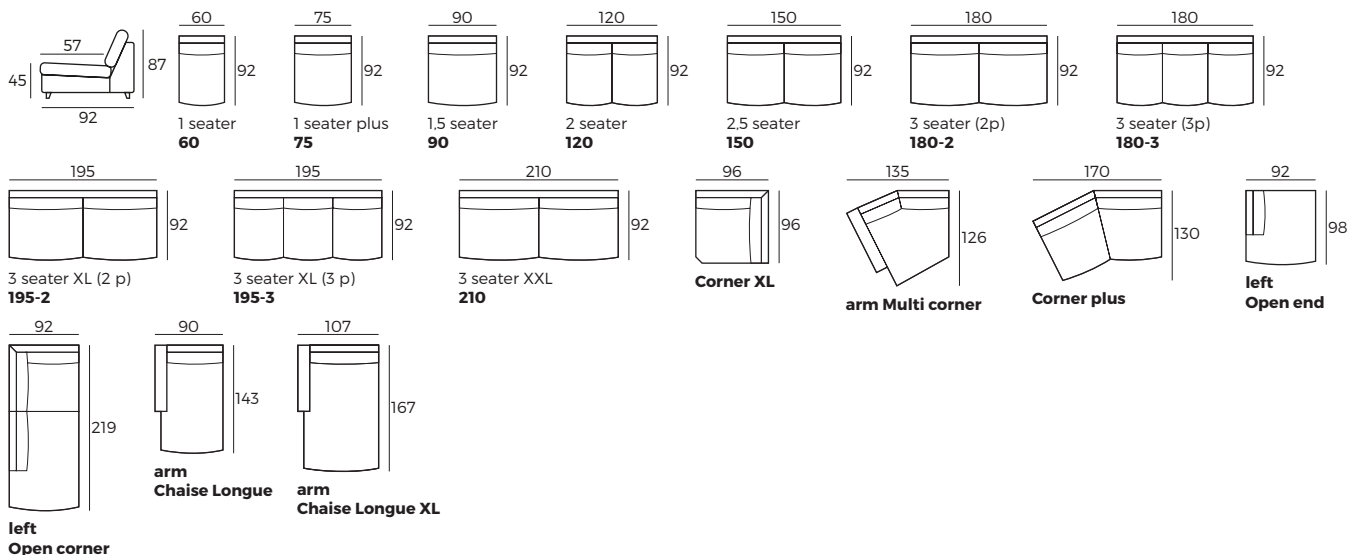


IMPORTANT:

Upholstered furniture is handmade using soft materials, therefore measurements can vary in all modules by up to +/- 2cm.
 Modules and combinations shown in 2D drawings are left-sided. Modules and combinations can be mirrored from left to right.

Modules (Measurements with 3 armrest)

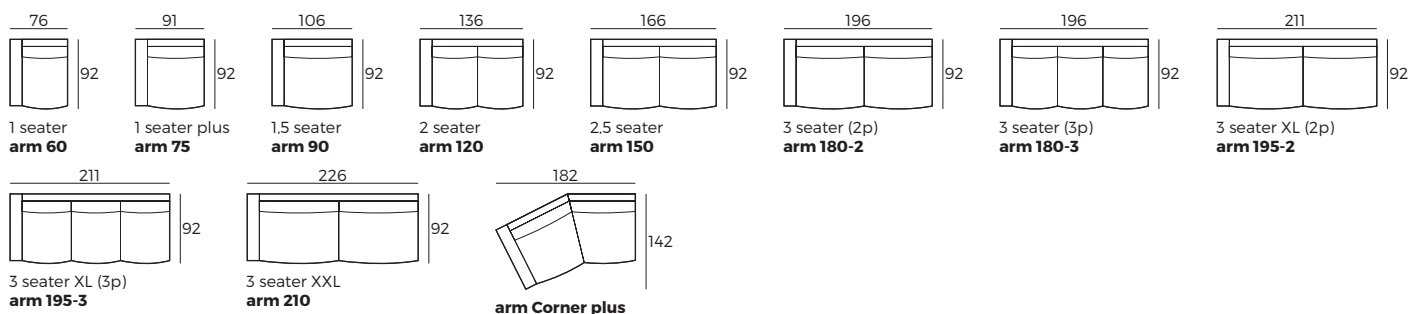
Scale 1:100



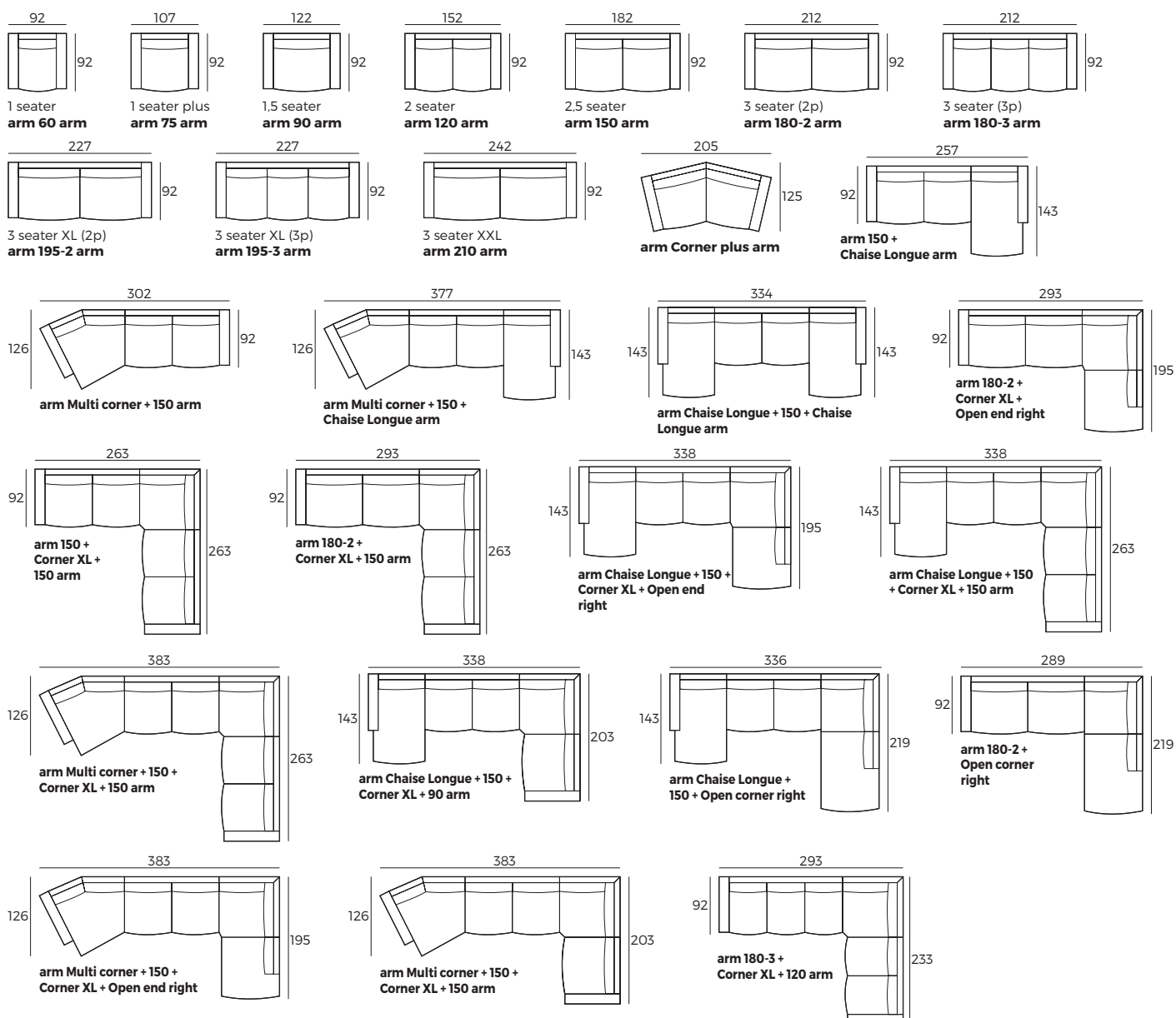
INGA

Modules with armrest (Measurements with 3 armrest)

Scale 1:100



Combinations (Measurements with 3 armrest)



Accessories

