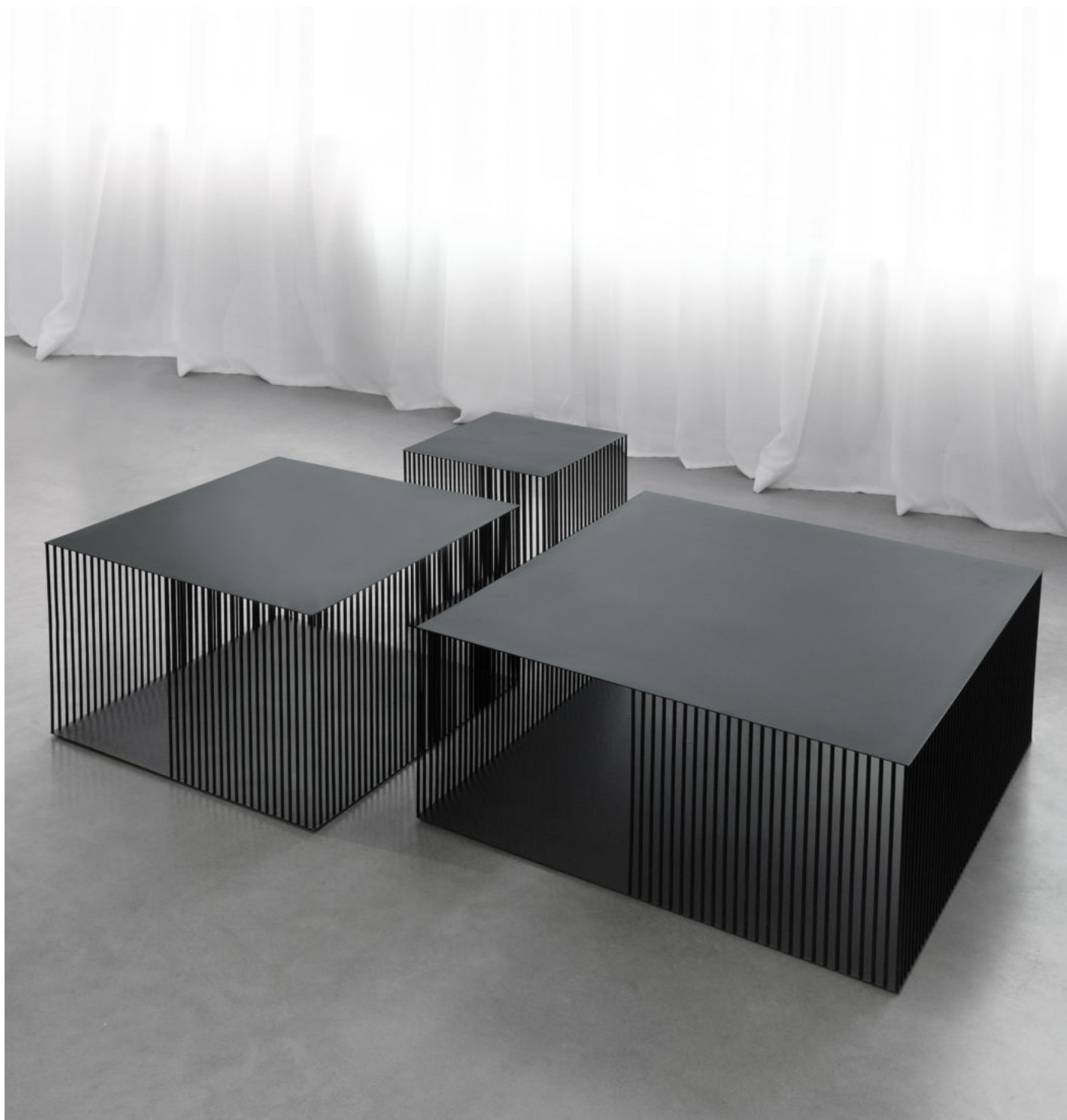


VEIL

by BÖTTCHER & KAYSER



VILMERS
vilmers.com



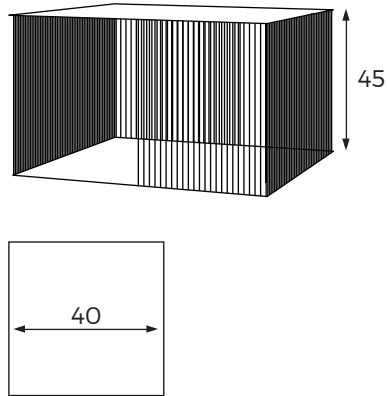
VEIL side table is a real eye-catcher, which plays with transparency in a graphic way by superimposing the sides of its corpus. A partially closed cube made of fine wire slats on the sides and plates as lid and base forms a corpus, that openness and closedness and transparency, depending on the perspective, allows or blocks the view into the interior. The view into the corpus changes from different perspectives and thus shows sometimes more and sometimes less what is inside. This is achieved by a multitude of thin metal rods that form a partially open corpus like fine vertical slats, with the tabletop and base of the table consisting of thin metal. The visual overlapping of the multiple lines that form the frame of the table, creates an exciting play of different transparencies, which, depending on the perspective, give more or less insight into the table. The tables are available in two colors: white and black.

TECHNICAL DATA



Example: Black metal

MEASUREMENTS



COLOR / CODES



Frame and top - Black metal
VEIL-001

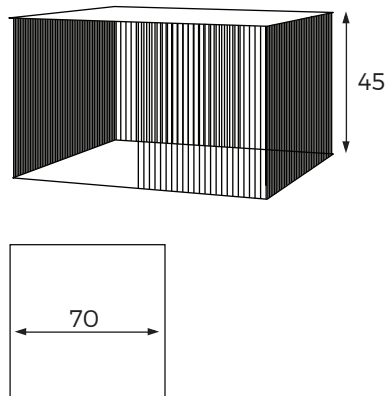


Frame and top - White metal
VEIL-004



Example: Black metal

MEASUREMENTS



COLOR / CODES



Frame and top - Black metal
VEIL-002

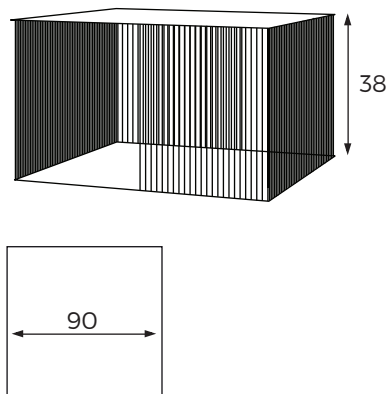


Frame and top - White metal
VEIL-005



Example: Black metal

MEASUREMENTS



COLOR / CODES



Frame and top - Black metal
VEIL-003



Frame and top - White metal
VEIL-006