

# CARAT

by BÖTTCHER & KAYSER



VILMERS  
[vilmers.com](http://vilmers.com)

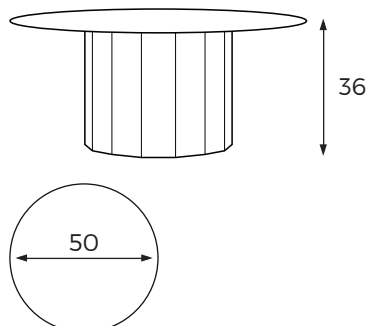
**CARAT** is a series of side table in four different heights and sizes. Its base consists of a faceted cylinder on which rests a fine circular plate. Especially in groups and different sizes, the design impresses with its modern clarity and creates different levels that can also overlap. CARAT is made of metal and is available in black and white.

## TECHNICAL DATA



Example: Black metal

### MEASUREMENTS



### COLOR / CODES



Frame and top - Black metal  
**CARAT-001**

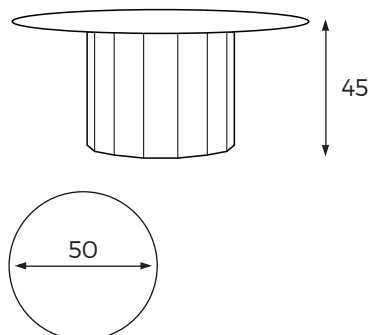


Frame and top - White metal  
**CARAT-005**



Example: Black metal

### MEASUREMENTS



### COLOR / CODES



Frame and top - Black metal  
**CARAT-002**

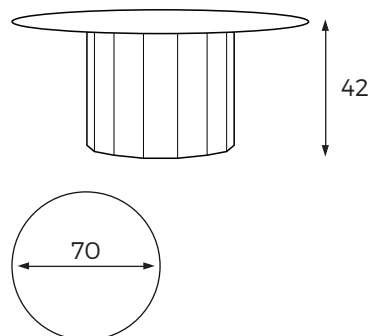


Frame and top - White metal  
**CARAT-006**



Example: Black metal

### MEASUREMENTS



### COLOR / CODES



Frame and top - Black metal  
**CARAT-003**

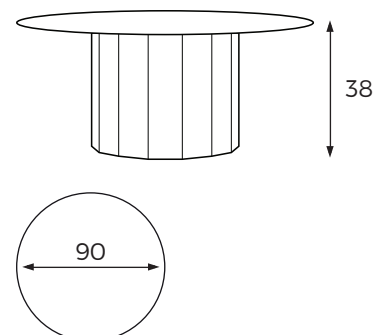


Frame and top - White metal  
**CARAT-007**



Example: Black metal

### MEASUREMENTS



### COLOR / CODES



Frame and top - Black metal  
**CARAT-004**



Frame and top - White metal  
**CARAT-008**