

Thuja



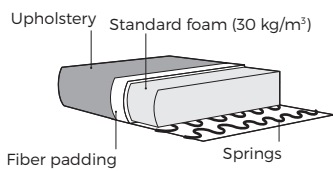
VILMERS

Thuja

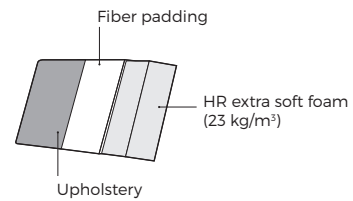
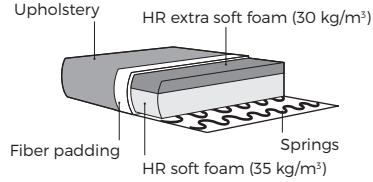


Comfort selection

HARD FOAM



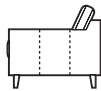
SOFT FOAM



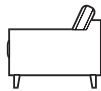
1. Upholstery



Leather*

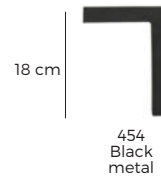


Fabric



* Leather covers may require more stitches than fabric covers.

2. Legs

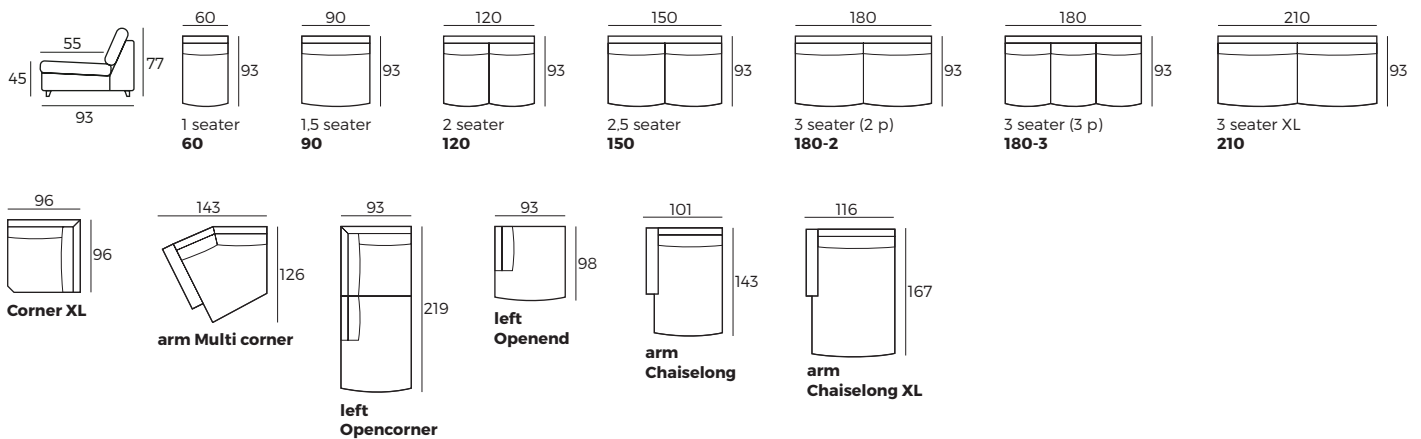


IMPORTANT:

Upholstered furniture is handmade using soft materials, therefore measurements can vary in all modules by up to **+/-2 cm**.
Modules and combinations shown in 2D drawings are left-sided. Modules and combinations can be mirrored from left to right.

Modules

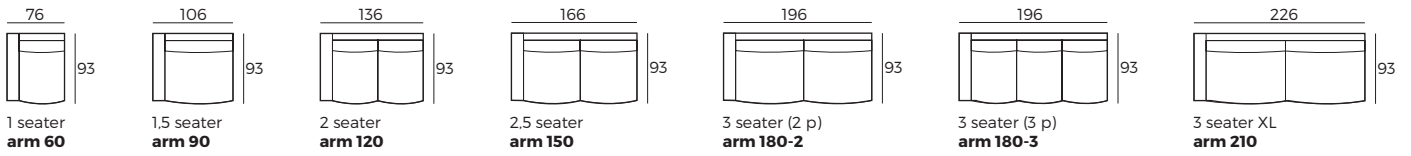
Scale 1:100



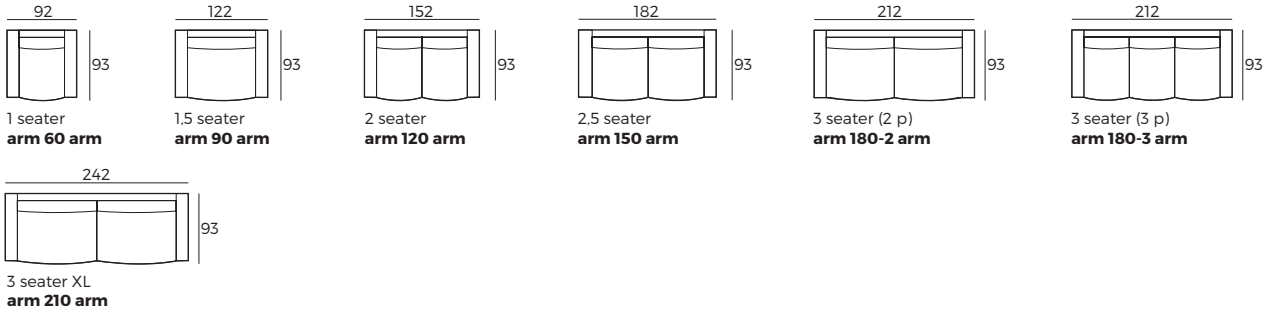
Thuja

Modules with armrest

Scale 1:100



Combinations



Accessories

