

Tailor S

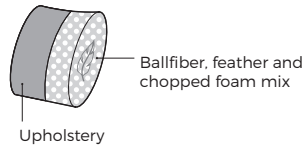
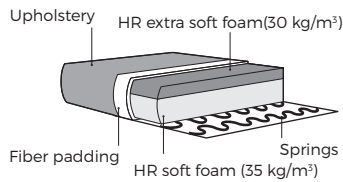


VILMERS

Tailor S



Comfort



1. Upholstery



Fabric

3. Armlehnen



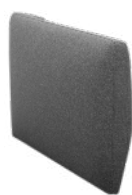
Akron (1)
W 15 x D 99 x H 49



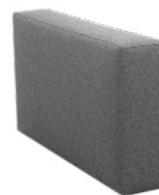
Street (2)
W 23 x D 99 x H 52



Oblik (3)
W 27 x D 99 x H 52



Brera (4)
W 18 x D 99 x H 52



Pinto (5)
W 18 x D 99 x H 46

3. Legs

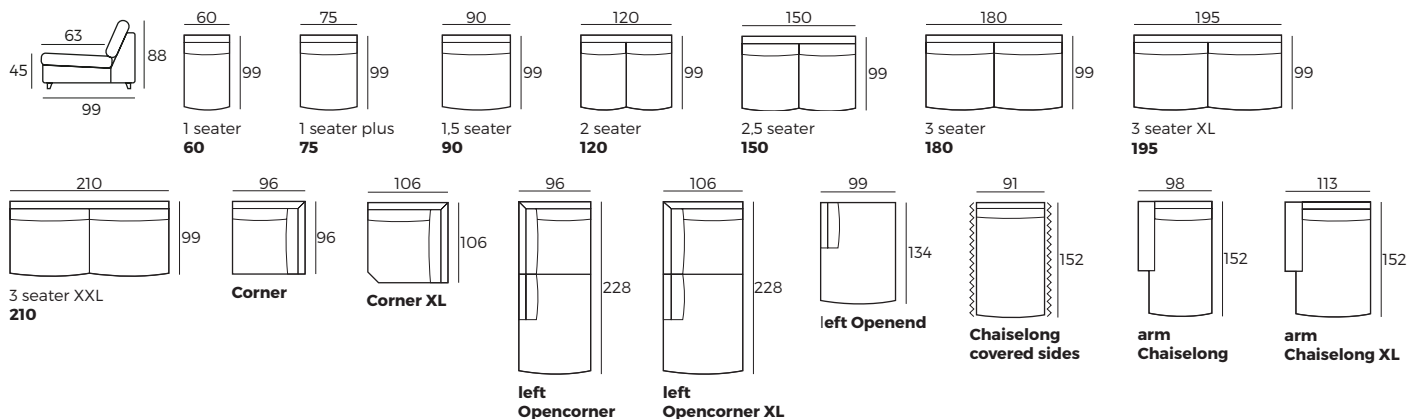


IMPORTANT:

Upholstered furniture is handmade using soft materials therefore measurements may vary up to **+/- 5 cm**.
Parts and sets shown in 2D drawings are left-sided. Parts and sets can be mirrored from left to right.

Single parts (Measurements with Street armrest)

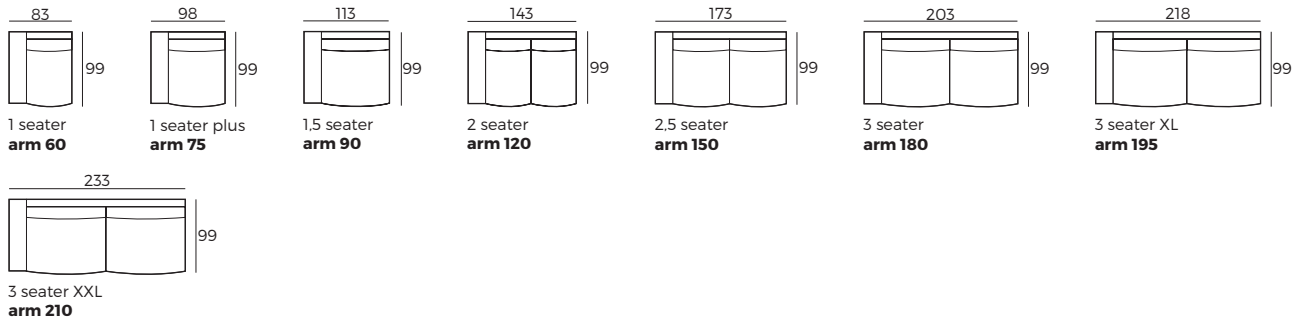
Scale 1:100



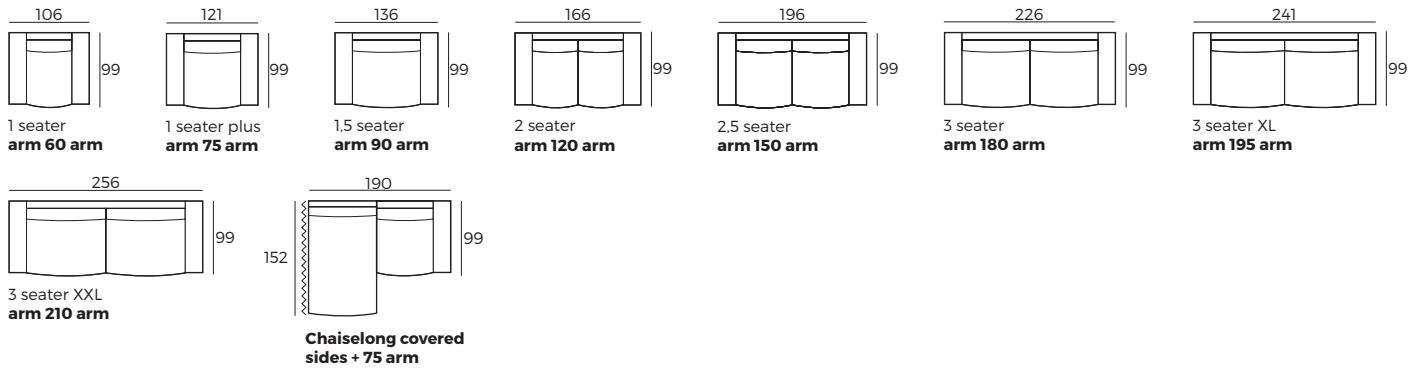
Tailor S

Half sets (Measurements with Street armrest)

Scale 1:100



Sets (Measurements with Street armrest)



Accessories

