

# Odense

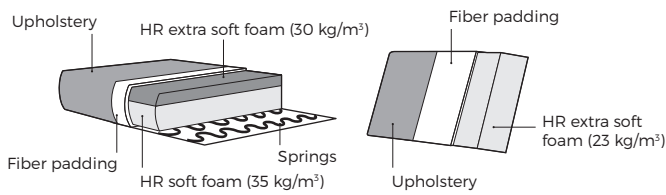


VILMERS

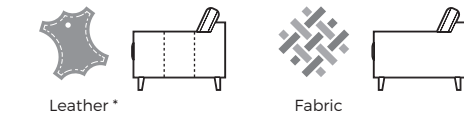
# Odense



## Comfort



## 1. Upholstery



\* Leather covers may require more stitches than fabric covers.

## 2. Legs

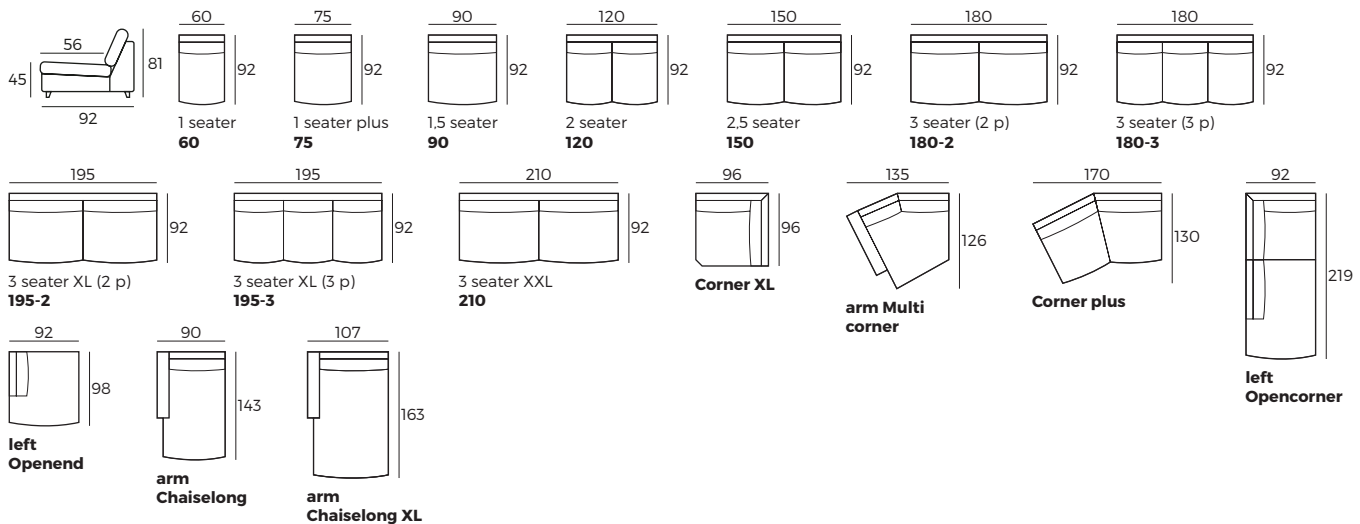


### IMPORTANT:

Upholstered furniture is handmade using soft materials, therefore measurements can vary in all modules by up to **+/-2 cm**.  
 Modules and combinations shown in 2D drawings are left-sided. Modules and combinations can be mirrored from left to right.  
 For an additional fee, the sides of each seater module can be covered in fabric.

## Modules

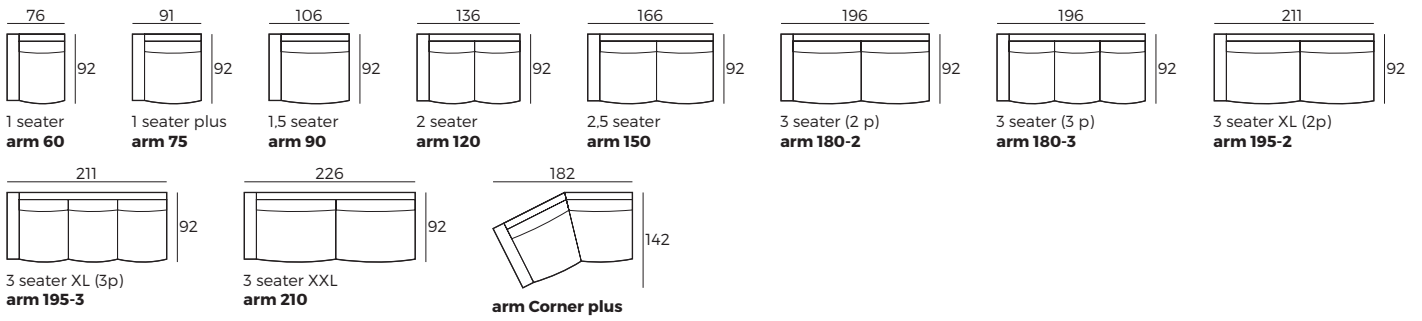
Scale 1:100



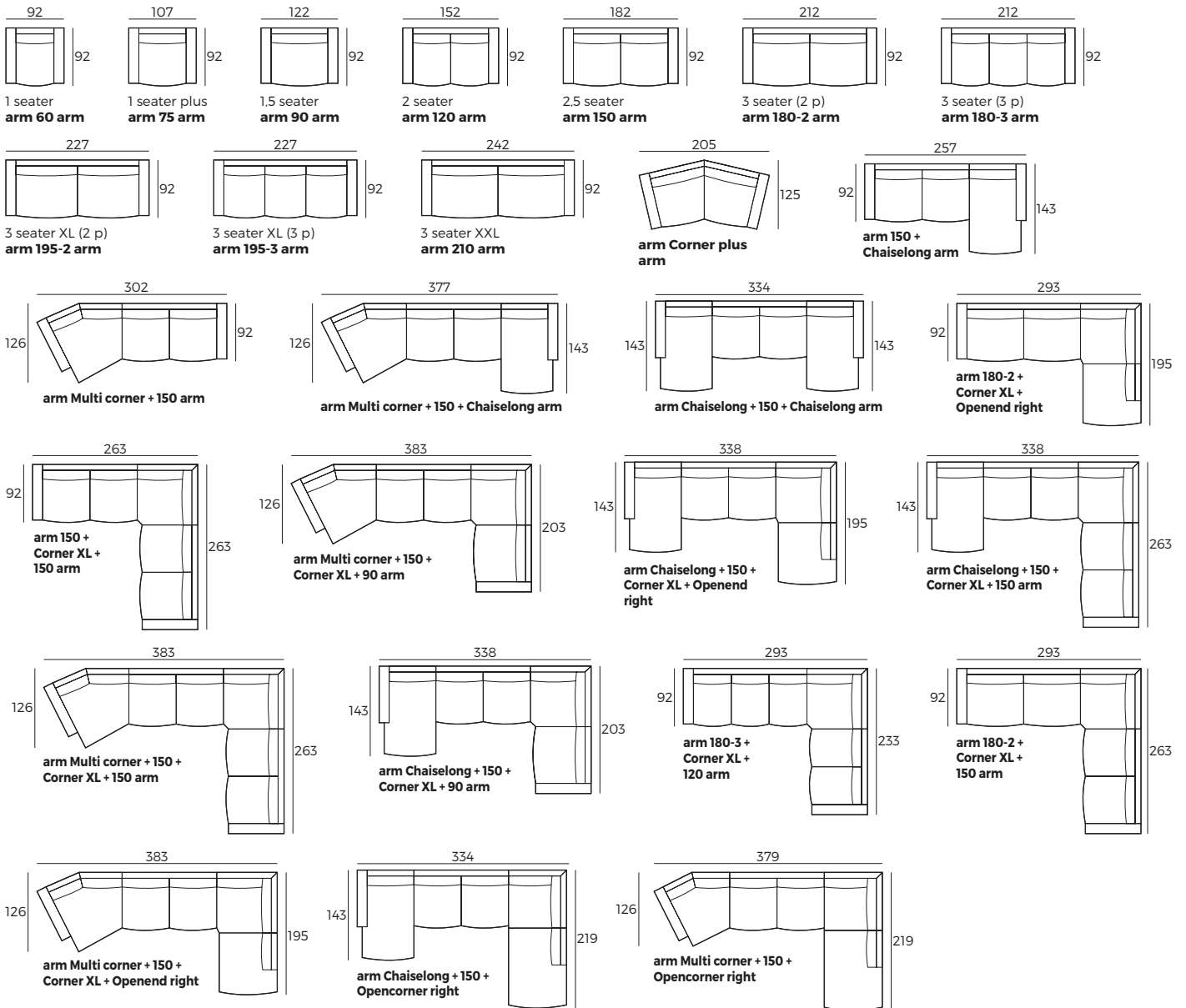
# Odense

## Modules with armrest

Scale 1:100



## Combinations



## Accessories

Scale 1:100

