

# GERONIMO



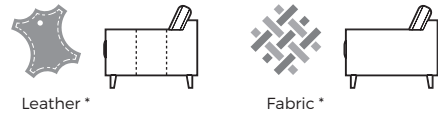
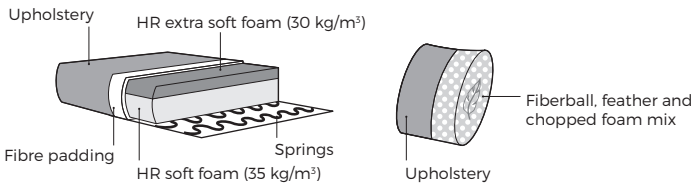
# VILMERS

# GERONIMO



## Comfort

## 1. Upholstery



\* Leather upholstery may require more stitches than fabric upholstery.

## 2. Choose design

## 3. Legs



With piping

With details

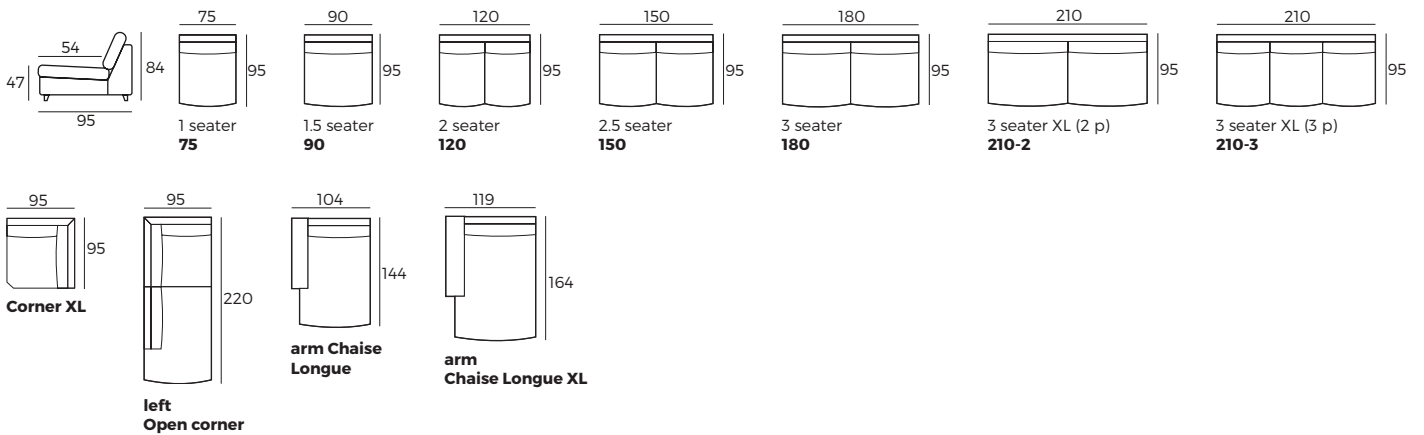


### IMPORTANT:

Upholstered furniture is handmade using soft materials, therefore measurements can vary in all modules by up to **+/-2 cm**.  
Modules and combinations shown in 2D drawings are left-sided. Modules and combinations can be mirrored from left to right.

## Modules

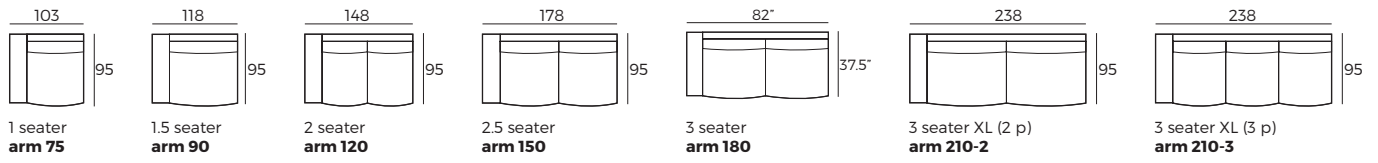
Scale 1:100



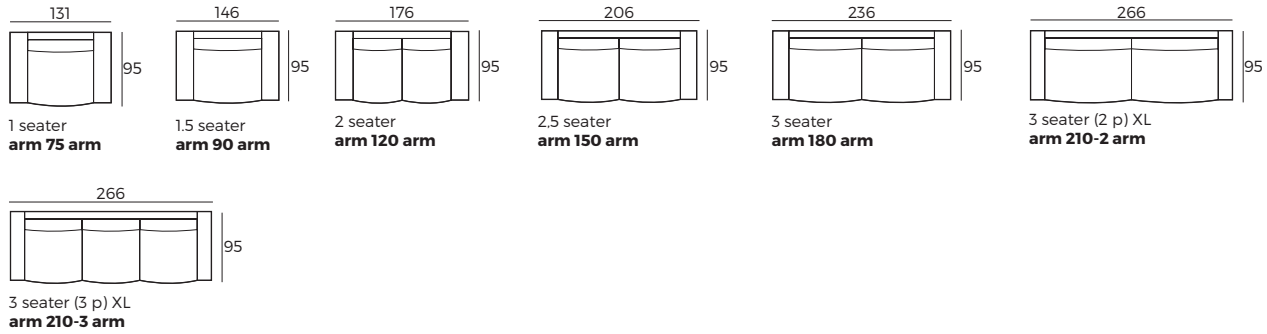
# GERONIMO

## Modules with armrest

Scale 1:100



## Combinations



## Accessories

Scale 1:100

