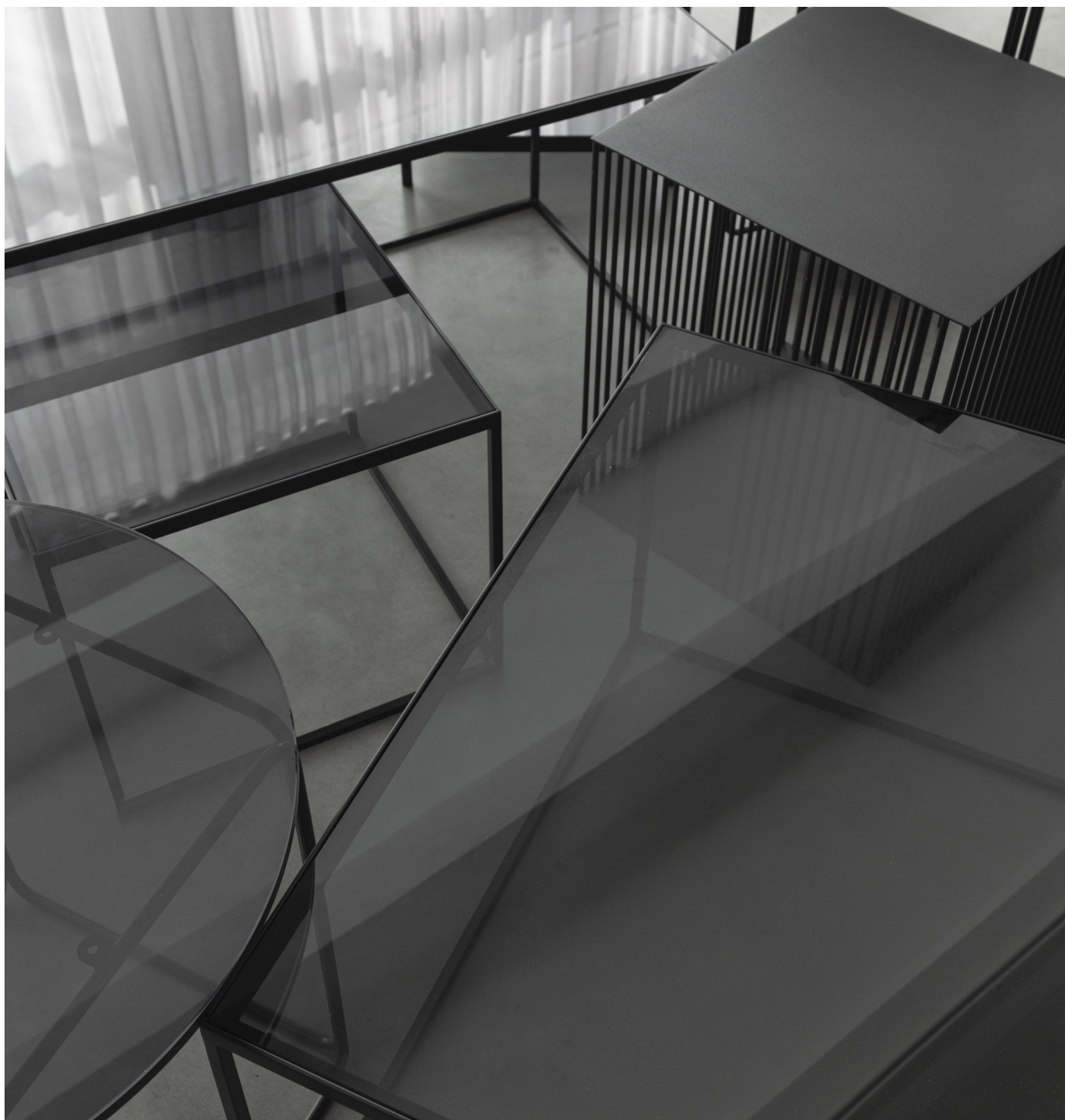


TABLE

by BÖTTCHER & KAYSER



VILMERS
vilmers.com

CARAT

by BÖTTCHER & KAYSER



VILMERS
vilmers.com

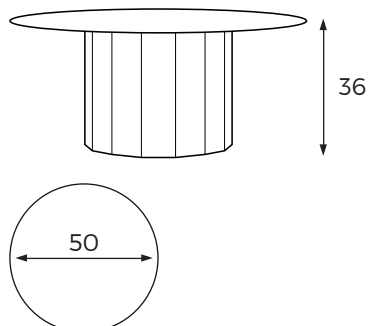
CARAT is a series of side table in four different heights and sizes. Its base consists of a faceted cylinder on which rests a fine circular plate. Especially in groups and different sizes, the design impresses with its modern clarity and creates different levels that can also overlap. CARAT is made of metal and is available in black and white.

TECHNICAL DATA



Example: Black metal

MEASUREMENTS



COLOR / CODES



Frame and top - Black metal
CARAT-001

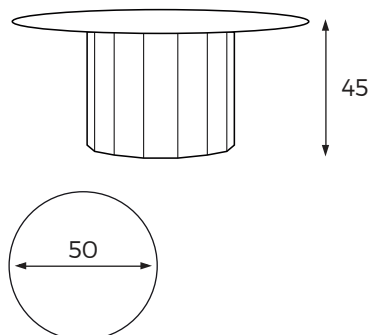


Frame and top - White metal
CARAT-005



Example: Black metal

MEASUREMENTS



COLOR / CODES



Frame and top - Black metal
CARAT-002

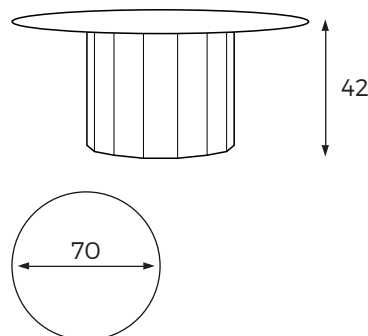


Frame and top - White metal
CARAT-006



Example: Black metal

MEASUREMENTS



COLOR / CODES



Frame and top - Black metal
CARAT-003

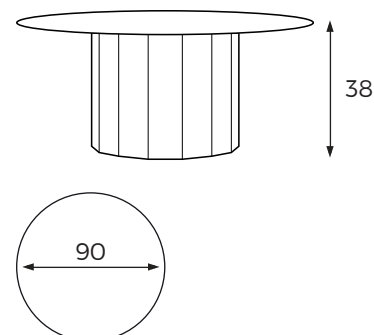


Frame and top - White metal
CARAT-007



Example: Black metal

MEASUREMENTS



COLOR / CODES



Frame and top - Black metal
CARAT-004



Frame and top - White metal
CARAT-008

CARRY

by BÖTTCHER & KAYSER



VILMERS
vilmers.com

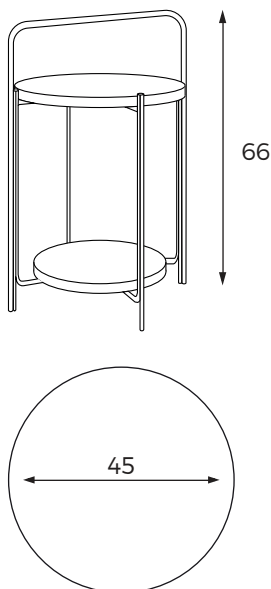
CARRY is a series of table with a filigree appearance, characterized by a fine structure and radii of great lightness. The fine, doubled metal structure supports two circular table tops in different levels. The upper plate is floatingly framed. The lower top is supported by the internal frame. The detail of the internal radii gives CARRY this formal softness in graphic appearance. CARRY is available in four different sizes with black metal frame and in three different tops - Black oak, black glass and marble.

TECHNICAL DATA



Example: Frame - Black metal, Top - Black oak

MEASUREMENTS



COLOR / CODES



Frame - Black metal +
Top - Black oak
CARRY-004



Frame - Black metal +
Top - Black glass
CARRY-011

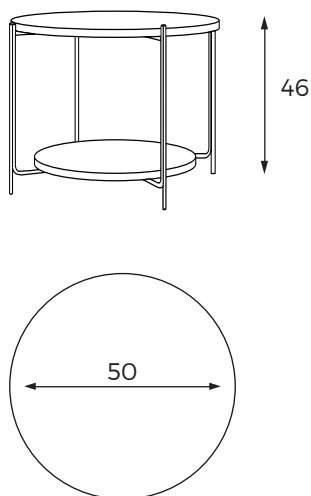


Frame - Black metal +
Top - White marble
CARRY-012



Example: Frame - Black metal, Top - Black oak

MEASUREMENTS



COLOR / CODES



Frame - Black metal +
Top - Black oak
CARRY-001



Frame - Black metal +
Top - Black glass
CARRY-005



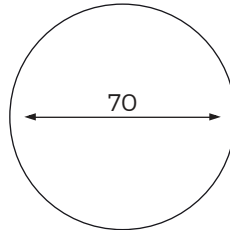
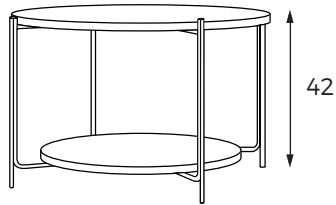
Frame - Black metal +
Top - White marble
CARRY-006

TECHNICAL DATA



Example: Frame - Black metal, Top - Black oak

MEASUREMENTS



COLOR / CODES



Frame - Black metal +
Top - Black oak
CARRY-002



Frame - Black metal +
Top - Black glass
CARRY-007

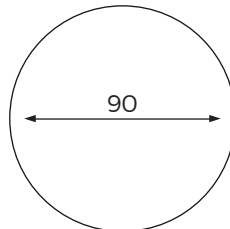
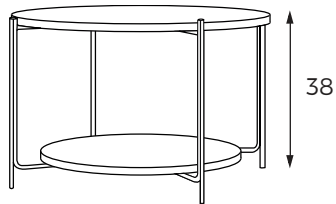


Frame - Black metal +
Top - White marble
CARRY-008



Example: Frame - Black metal, Top - Black oak

MEASUREMENTS



COLOR / CODES



Frame - Black metal +
Top - Black oak
CARRY-003



Frame - Black metal +
Top - Black glass
CARRY-009



Frame - Black metal +
Top - White marble
CARRY-010

FORMAT

by BÖTTCHER & KAYSER



VILMERS
vilmers.com



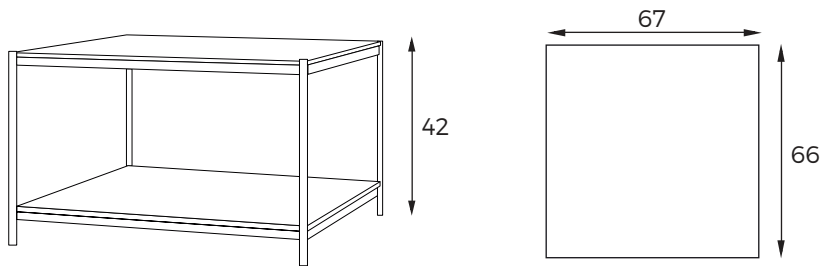
FORMAT side table is a very elegant and timeless family of tables with two levels in very formats of the table tops, that gives the table three complete different designs. The connecting element is the frame in three sizes. The upper and lower table tops lie in it, with three different, geometric table top formats to choose from. Available are the circular table top, the oblong table top and the square table top. These give the table its three different shapes and characters. The tables are available in black frame with matching table tops: Black oak, White marble and black glass.

TECHNICAL DATA



Example: Frame - Black metal, Top - Black glass.

MEASUREMENTS



COLOR / CODES



Frame - Black metal +
Top - Black glass
FORMAT-007



Frame - Black metal +
Top - Black oak
FORMAT-016

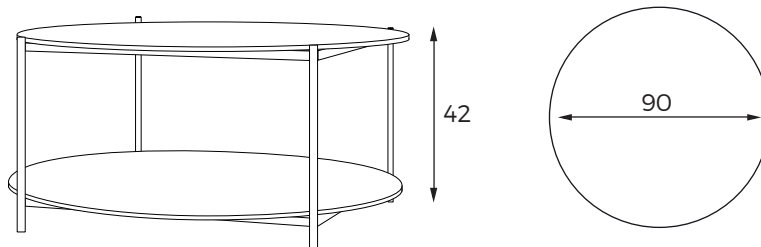


Frame - Black metal +
Top - White marble
FORMAT-026



Example: Frame - Black metal, Top - Black glass.

MEASUREMENTS



COLOR / CODES



Frame - Black metal +
Top - Black glass
FORMAT-008



Frame - Black metal +
Top - Black oak
FORMAT-017



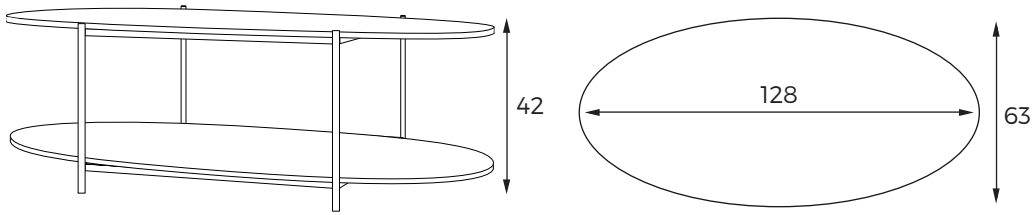
Frame - Black metal +
Top - White marble
FORMAT-024

TECHNICAL DATA



Example: Frame - Black metal, Top - Black glass.

MEASUREMENTS



COLOR / CODES



Frame - Black metal +
Top - Black glass
FORMAT-009



Frame - Black metal +
Top - Black oak
FORMAT-018

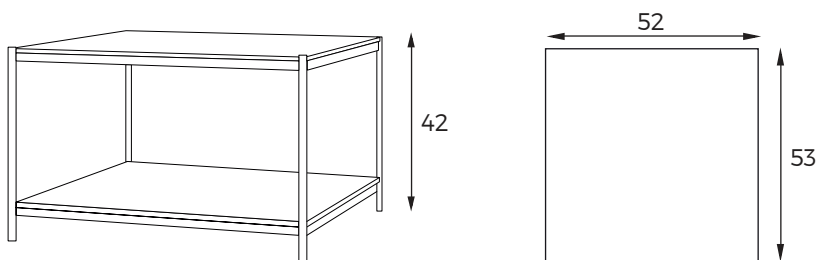


Frame - Black metal +
Top - White marble
FORMAT-025



Example: Frame - Black metal, Top - Black glass.

MEASUREMENTS



COLOR / CODES



Frame - Black metal +
Top - Black glass
FORMAT-004



Frame - Black metal +
Top - Black oak
FORMAT-013



Frame - Black metal +
Top - White marble
FORMAT-021

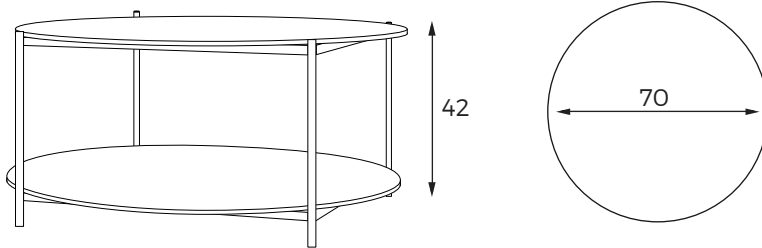


TECHNICAL DATA



Example: Frame - Black metal, Top - Black glass.

MEASUREMENTS



COLOR / CODES



Frame - Black metal +
Top - Black glass
FORMAT-005



Frame - Black metal +
Top - Black oak
FORMAT-014

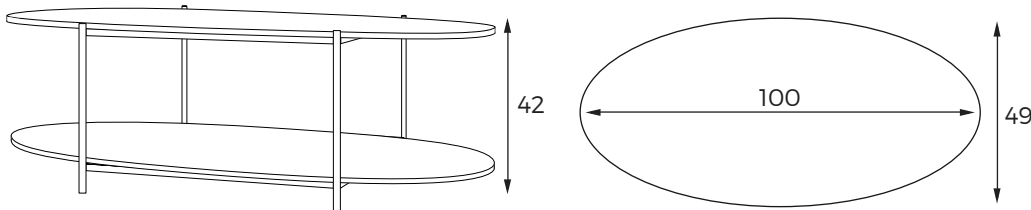


Frame - Black metal +
Top - White marble
FORMAT-022



Example: Frame - Black metal, Top - Black glass.

MEASUREMENTS



COLOR / CODES



Frame - Black metal +
Top - Black glass
FORMAT-006



Frame - Black metal +
Top - Black oak
FORMAT-015



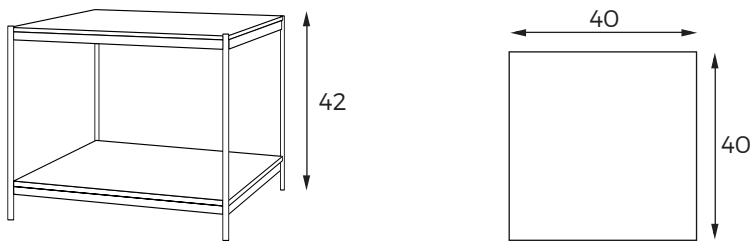
Frame - Black metal +
Top - White marble
FORMAT-023

TECHNICAL DATA



Example: Frame - Black metal, Top - Black glass.

MEASUREMENTS



COLOR / CODES



Frame - Black metal +
Top - Black glass
FORMAT-001



Frame - Black metal +
Top - Black oak
FORMAT-010

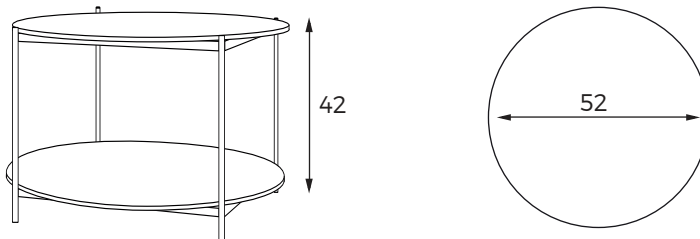


Frame - Black metal +
Top - White marble
FORMAT-027



Example: Frame - Black metal, Top - Black glass.

MEASUREMENTS



COLOR / CODES



Frame - Black metal +
Top - Black glass
FORMAT-002



Frame - Black metal +
Top - Black oak
FORMAT-011



Frame - Black metal +
Top - White marble
FORMAT-019

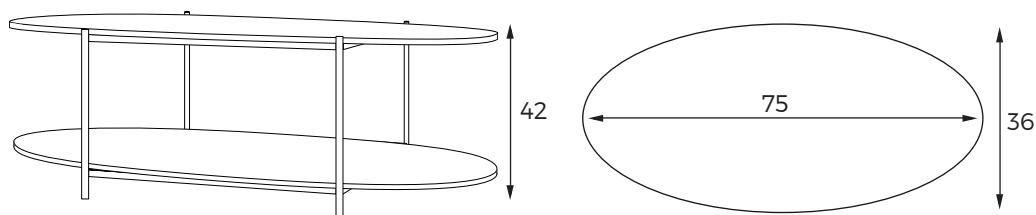


TECHNICAL DATA



Example: Frame - Black metal, Top - Black glass.

MEASUREMENTS



COLOR / CODES



Frame - Black metal +
Top - Black glass
FORMAT-003



Frame - Black metal +
Top - Black oak
FORMAT-012



Frame - Black metal +
Top - White marble
FORMAT-020

NESTING CUBES

by BÖTTCHER & KAYSER



VILMERS
vilmers.com

NESTING CUBES by BÖTTCHER & KAYSER

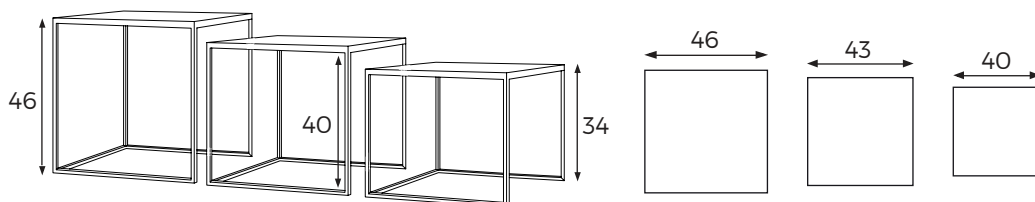
The side table **NESTING CUBES** consist of sets in different formats. The table can be placed space saving inside each other one above the other to save space. This creates an exciting play of interpenetration and superimposition. If the cubic metal frames are pulled apart, the storage area of the tables increases accordingly on different levels. The timeless-classic design fits into any living situation and is available in a variety of versions: The tables are available in three colors: white, black and dark green with table tops in matching colors, wood veneer (natural or stained black), marble (white or black) or glass (colored white, black or green).

TECHNICAL DATA



Example: Frame - Black metal + Top - Black glass

MEASUREMENTS



COLOR / CODES



Frame - Black metal +
Top - Black glass
NESTINGCUBES-001



Frame - Black metal +
Top - Black oak
NESTINGCUBES-005

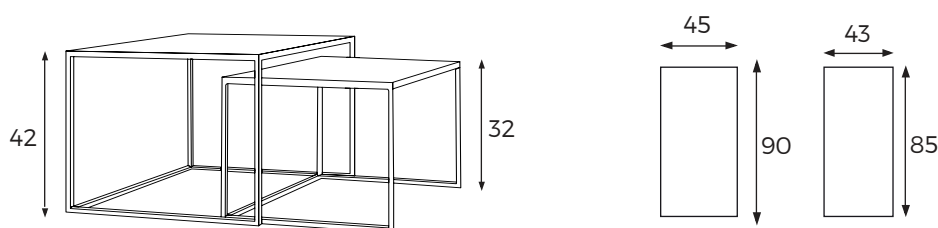


Frame - Black metal +
Top - White marble
NESTINGCUBES-009



Example: Frame - Black metal + Top - Black glass

MEASUREMENTS



COLOR / CODES



Frame - Black metal +
Top - Black glass
NESTINGCUBES-004



Frame - Black metal +
Top - Black oak
NESTINGCUBES-008



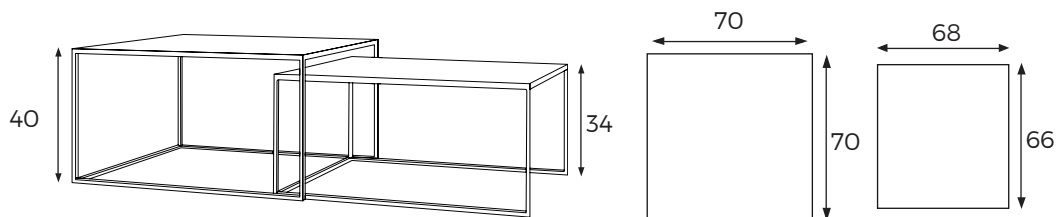
Frame - Black metal +
Top - White marble
NESTINGCUBES-012

TECHNICAL DATA



Example: Frame - Black metal + Top - Black glass

MEASUREMENTS



COLOR / CODES



Frame - Black metal +
Top - Black glass
NESTINGCUBES-002



Frame - Black metal +
Top - Black oak
NESTINGCUBES-006

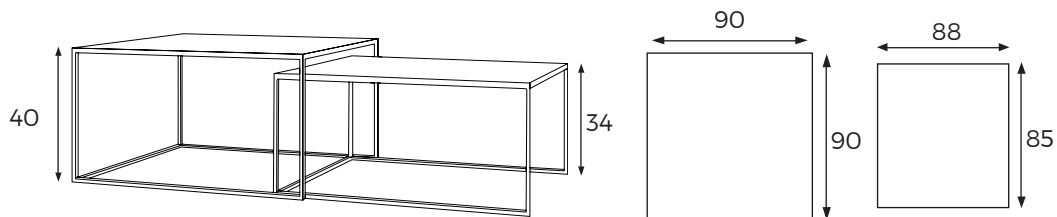


Frame - Black metal +
Top - White marble
NESTINGCUBES-010



Example: Frame - Black metal + Top - Black glass

MEASUREMENTS



COLOR / CODES



Frame - Black metal +
Top - Black glass
NESTINGCUBES-003



Frame - Black metal +
Top - Black oak
NESTINGCUBES-007



Frame - Black metal +
Top - White marble
NESTINGCUBES-011

QUADRO

by BÖTTCHER & KAYSER



VILMERS
vilmers.com



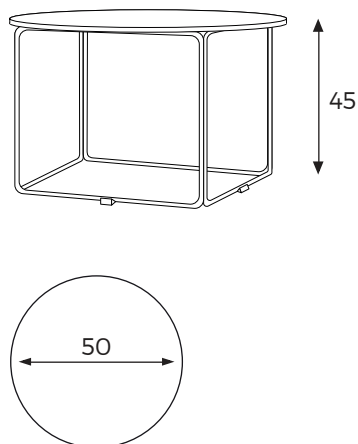
QUADRO is a family of three side tables of different sizes, which stand out due to their extravagant graphic design. Four identical loop frames with large corner radii made of bent wire form a filigree cube as a base frame. With its rounded corners, it appears soft, and the radii give it a floral touch. The frame is topped by a round tabletop - available in glass, wood or marble and in different colors. There is also a choice of three colors for the frame. Thanks to the different material and color combinations, QUADRO can vary greatly in appearance and thus offers the customer a great choice. The tables are available in black metal frame with matching coloured table tops: black oak, white marble or black glass.

TECHNICAL DATA



Example: Frame - Black metal + Top - Black glass

MEASUREMENTS



COLOR / CODES



Frame - Black metal +
Top - Black glass

QUADRO-001



Frame - Black metal +
Top - Black oak

QUADRO-004



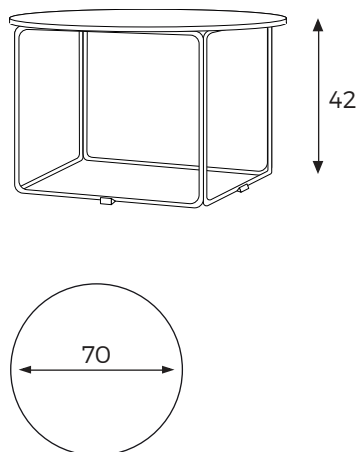
Frame - Black metal +
Top - White marble

QUADRO-007



Example: Frame - Black metal + Top - Black glass

MEASUREMENTS



COLOR / CODES



Frame - Black metal +
Top - Black glass

QUADRO-002



Frame - Black metal +
Top - Black oak

QUADRO-005



Frame - Black metal +
Top - White marble

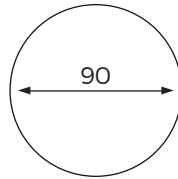
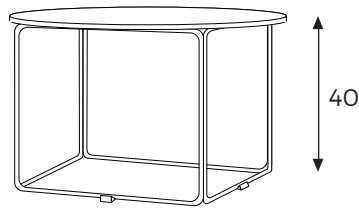
QUADRO-008

TECHNICAL DATA



Example: Frame - Black metal + Top - Black glass

MEASUREMENTS



COLOR / CODES

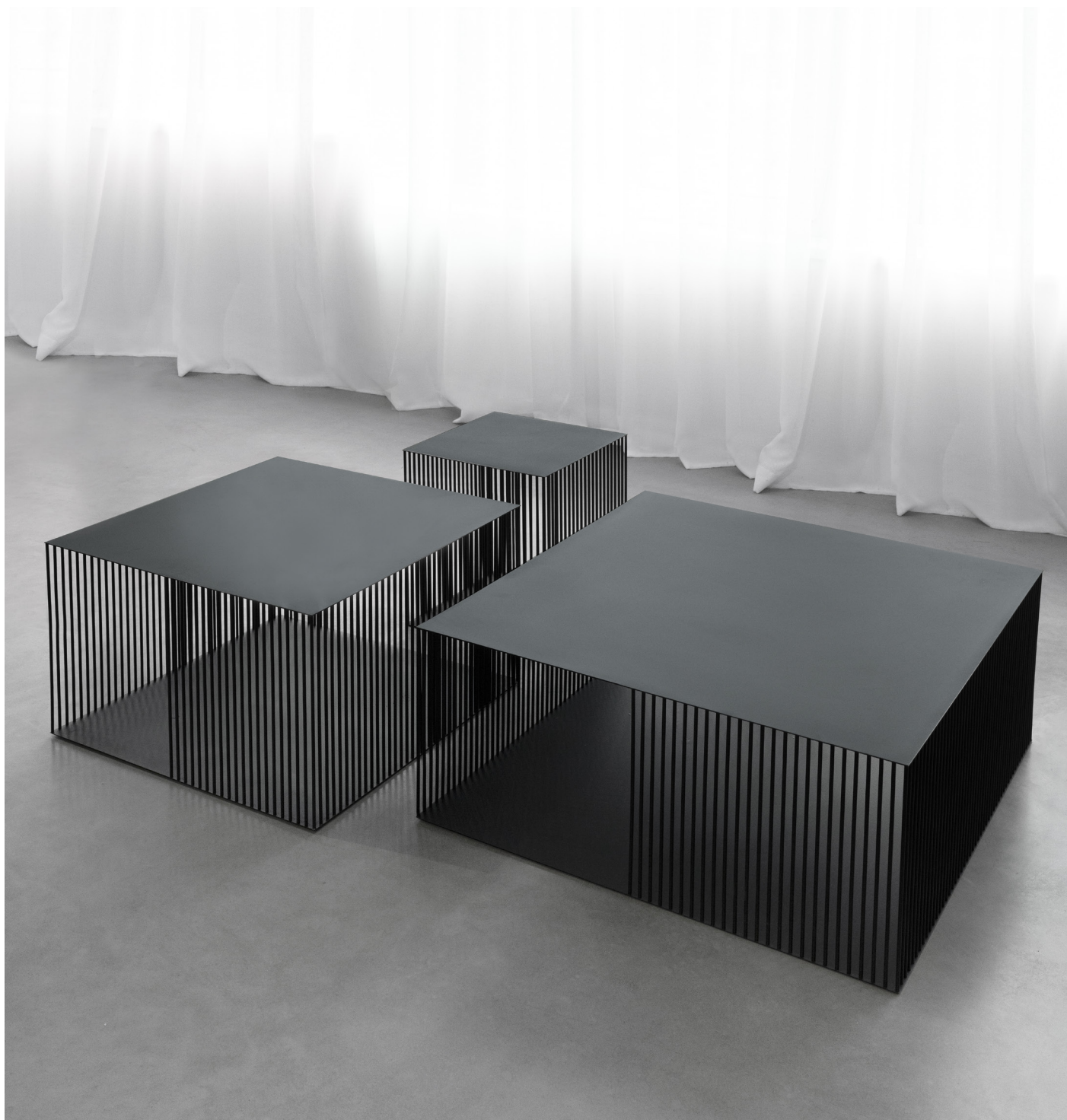
● + ●
Frame - Black metal +
Top - Black glass
QUADRO-003

● + ●
Frame - Black metal +
Top - Black oak
QUADRO-006

● + ●
Frame - Black metal +
Top - White marble
QUADRO-009

VEIL

by BÖTTCHER & KAYSER



VILMERS
vilmers.com



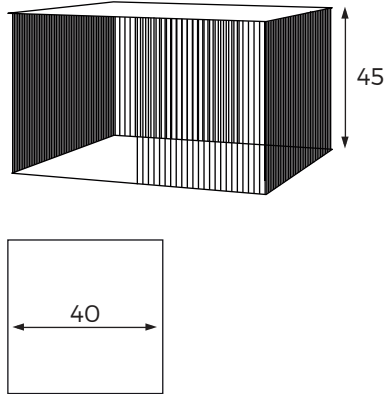
VEIL side table is a real eye-catcher, which plays with transparency in a graphic way by superimposing the sides of its corpus. A partially closed cube made of fine wire slats on the sides and plates as lid and base forms a corpus, that openness and closedness and transparency, depending on the perspective, allows or blocks the view into the interior. The view into the corpus changes from different perspectives and thus shows sometimes more and sometimes less what is inside. This is achieved by a multitude of thin metal rods that form a partially open corpus like fine vertical slats, with the tabletop and base of the table consisting of thin metal. The visual overlapping of the multiple lines that form the frame of the table, creates an exciting play of different transparencies, which, depending on the perspective, give more or less insight into the table. The tables are available in two colors: white and black.

TECHNICAL DATA



Example: Black metal

MEASUREMENTS



COLOR / CODES



Frame and top - Black metal
VEIL-001

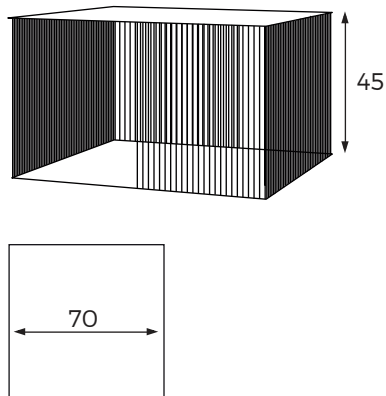


Frame and top - White metal
VEIL-004



Example: Black metal

MEASUREMENTS



COLOR / CODES



Frame and top - Black metal
VEIL-002

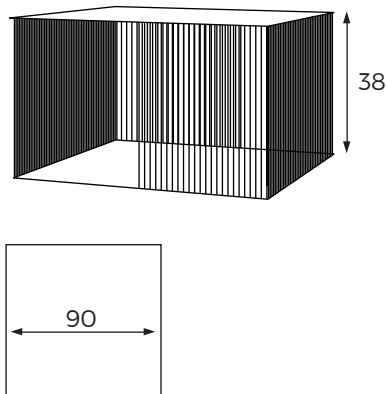


Frame and top - White metal
VEIL-005



Example: Black metal

MEASUREMENTS



COLOR / CODES



Frame and top - Black metal
VEIL-003



Frame and top - White metal
VEIL-006