

# COLLECTIONS

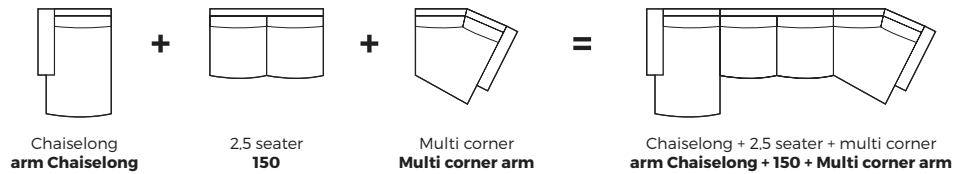
VILMERS

[vilmers.com](http://vilmers.com)

# Symbols

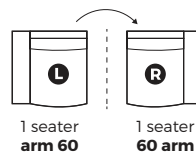
## Legend

### Design your dream sofa

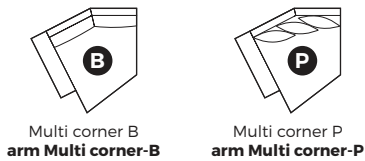


### IMPORTANT!

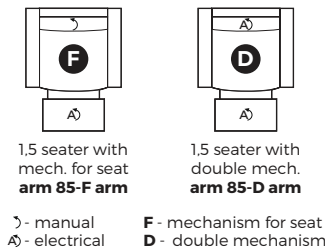
Parts and sets shown in 2D drawings are left-sided.  
Parts and sets can be mirrored from left to right.



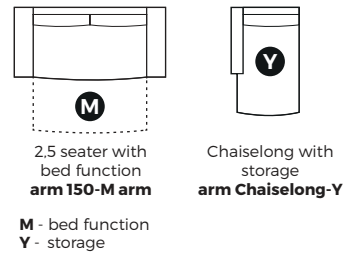
### Back cushion selection



### Headrest & seat type



### Extra options



### Multicolor options



Possible choice of two or three upholstery options for sofa

### Furniture features in symbols



1. Sleeping function.
2. Seat & back cushions are fixed to the frame.
3. Seat & back cushions are loose from the frame.
4. Relax function: seat and headrest motion, mechanical or electrical.
5. Bonell pocket springs.
6. Natural feathers.
7. Storage.
8. Loose back and fixed seat.
9. Loose seat and fixed back.
10. Removable cover for loose cushions.\*  
(\* For maintenance please check fabric information.)
11. Option to cover the sides of each seater with fabric.

# Alpine

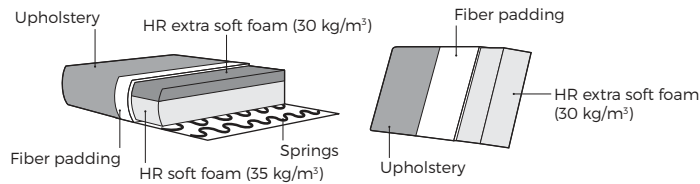


VILMERS

# Alpine



## Comfort



## 1. Upholstery

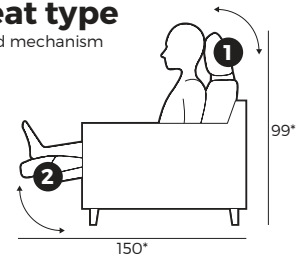


Fabric

## 2. Headrest & seat type

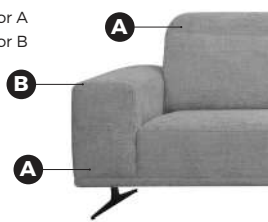
\*Measures with fully opened mechanism

- 1 Manual ↷
- 2 Electrical ↷

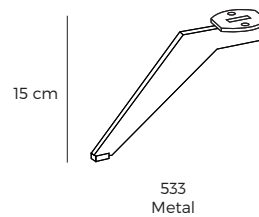


## 3. Bi-Color option

- Color A
- Color B



## 4. Legs

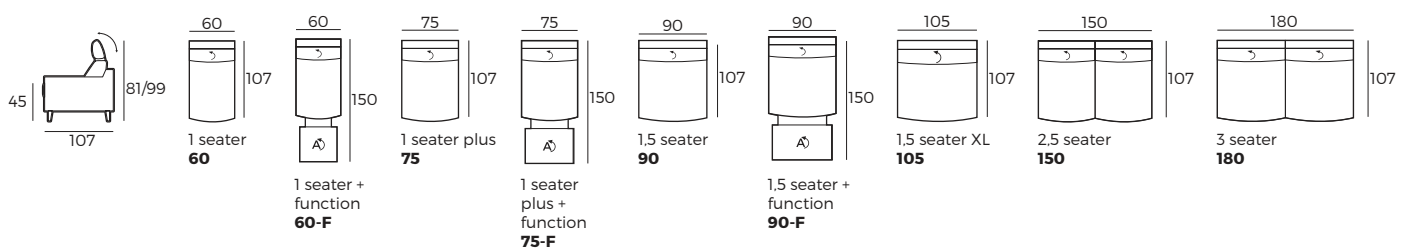


### IMPORTANT:

Upholstered furniture is handmade using soft materials therefore measurements may vary up to +/- 5 cm.  
Parts and sets shown in 2D drawings are left-sided. Parts and sets can be mirrored from left to right.

## Modules

Scale 1:100

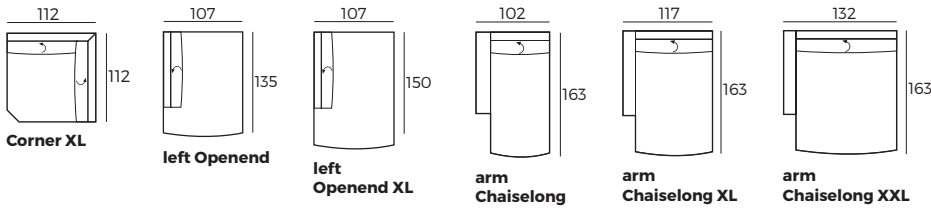




# Alpine

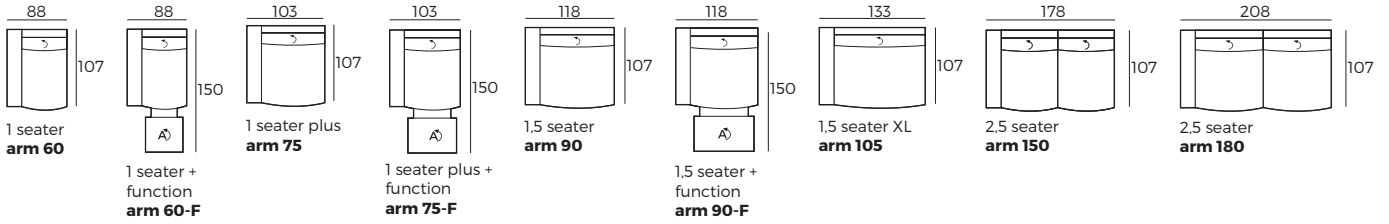
## Modules

Scale 1:100

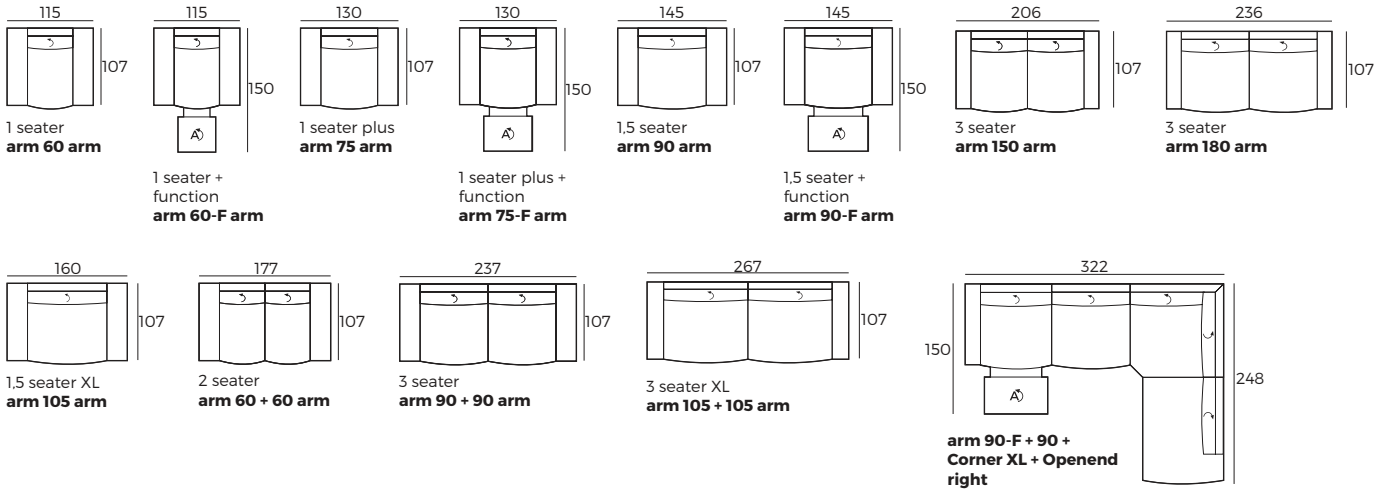


## Modules with armrest

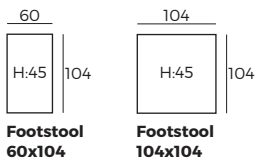
Scale 1:100



## Combinations



## Accessories



↵ - manual; Ⓐ - electrical; \*F - single electric function

# Alps

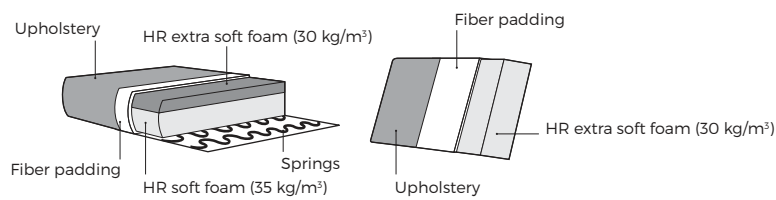


VILMERS

# Alps



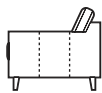
## Comfort



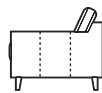
## 1. Upholstery



Leather \*



Fabric \*



\* Leather and fabric upholstery contains the same number of stitches.

## 2. Legs

3 cm



282 Oiled



Wenge colored lacquer



323 Metal



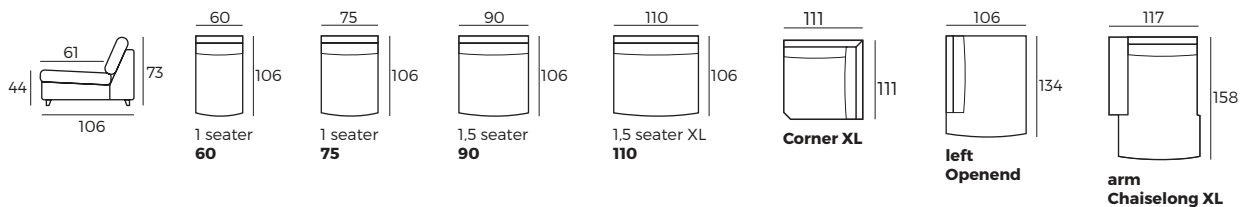
152 Plastic

### IMPORTANT:

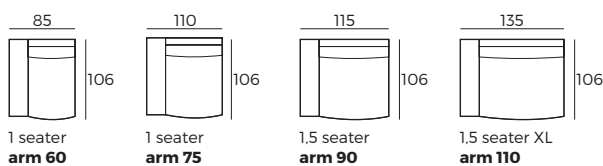
Upholstered furniture is handmade using soft materials therefore measurements may vary up to +/- 5 cm.  
Parts and sets shown in 2D drawings are left-sided. Parts and sets can be mirrored from left to right.

## Modules

Scale 1:100



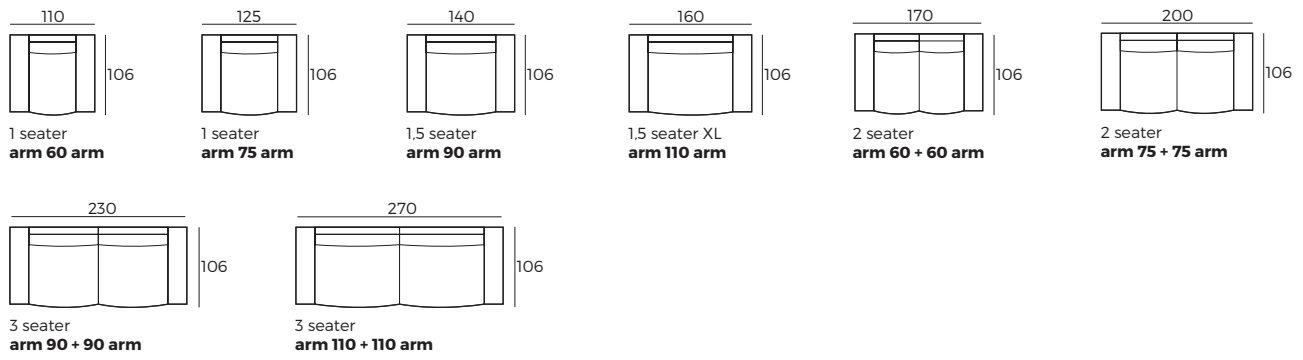
## Modules with armrest



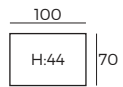
# Alps

## Combinations

Scale 1:100



## Accessories



**Footstool**  
**100x70**

# Alte

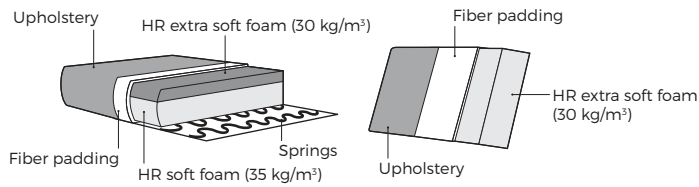


VILMERS

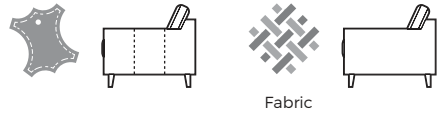
# Alte



## Comfort



## 1. Upholstery

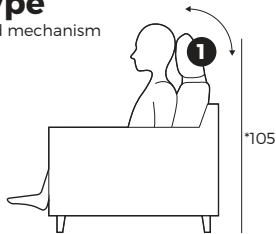


\* Leather covers may require more stitches than fabric covers.

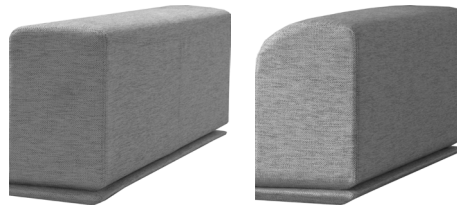
## 2. Headrest type

\*Measures with fully opened mechanism

1 Manual ↻



## 3. Armrest



**Alte**  
W 26 x D 105 x H 43

**Path**  
W 26 x D 105 x H 43

## 4. Legs

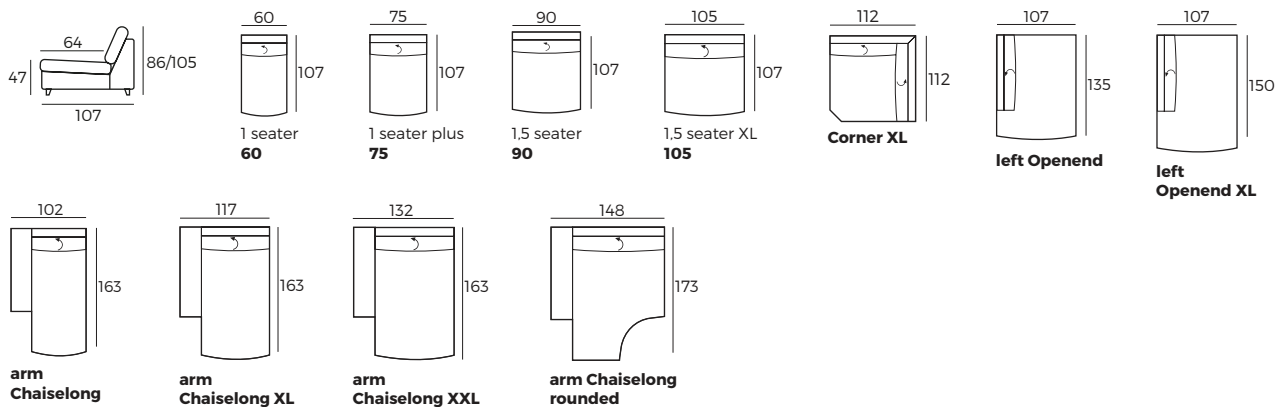


### IMPORTANT:

Upholstered furniture is handmade using soft materials therefore measurements may vary up to +/- 5 cm.  
Parts and sets shown in 2D drawings are left-sided. Parts and sets can be mirrored from left to right.

## Modules (Measurements with Alte armrest)

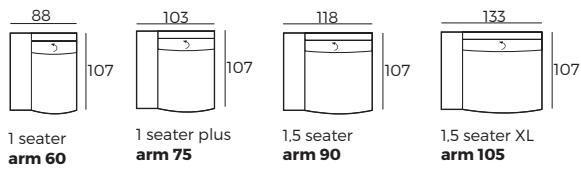
Scale 1:100



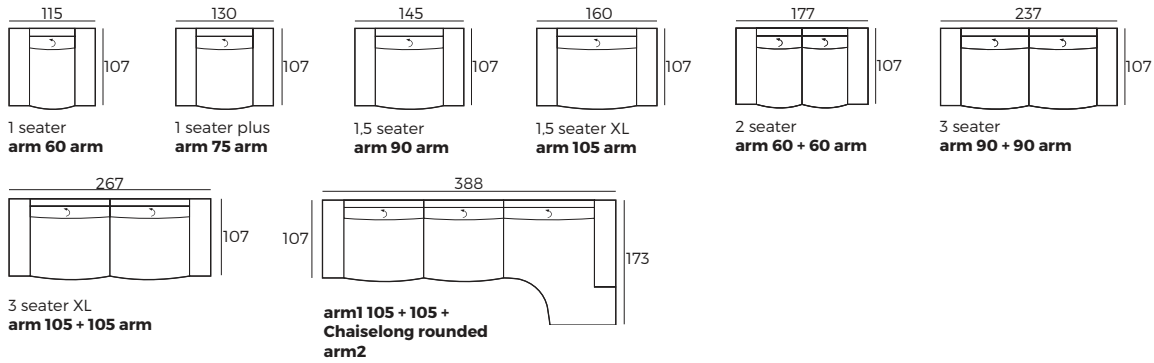
# Alte

## Modules with armrest (Measurements with Alte armrest)

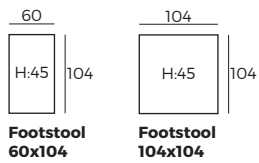
Scale 1:100



## Combinations (Measurements with Alte armrest)



## Accessories



)- manual:



# Alvar



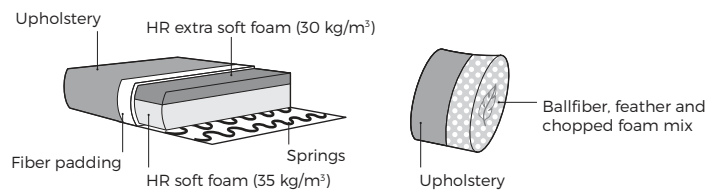
VILMERS



# Alvar



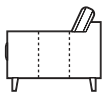
## Comfort



### 1. Upholstery



Leather\*



Fabric



\* Leather covers may require more stitches than fabric covers.

### 2. Legs

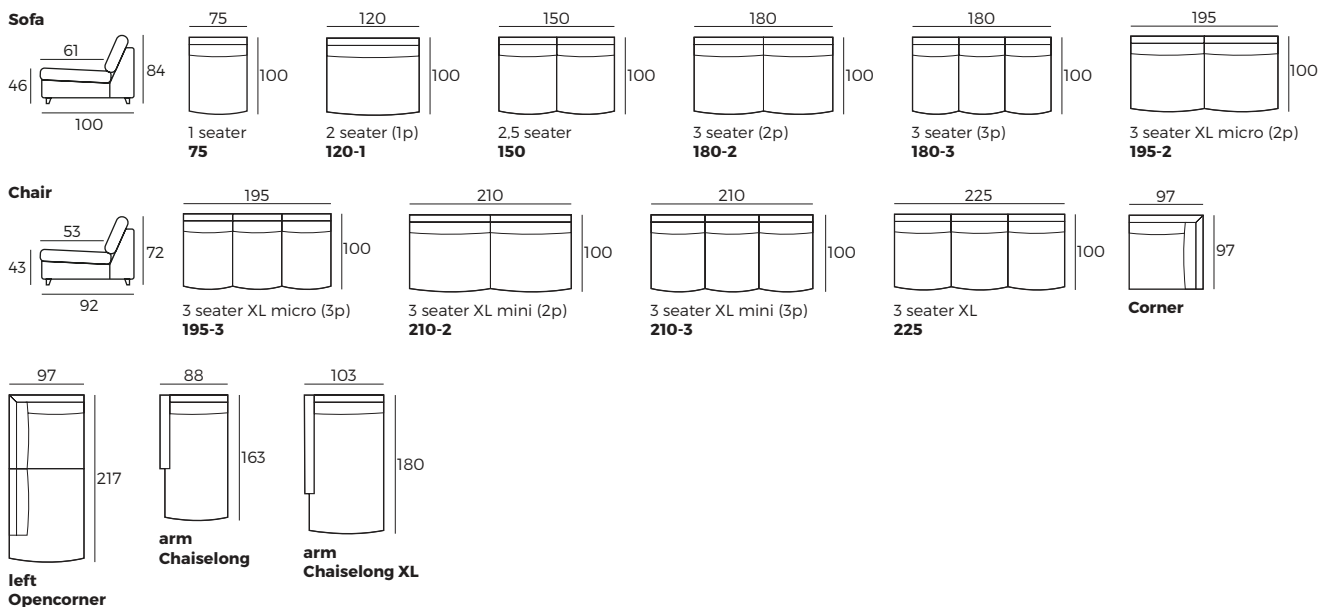


#### IMPORTANT:

Upholstered furniture is handmade using soft materials therefore measurements may vary up to +/- 5 cm.  
Parts and sets shown in 2D drawings are left-sided. Parts and sets can be mirrored from left to right.

## Modules

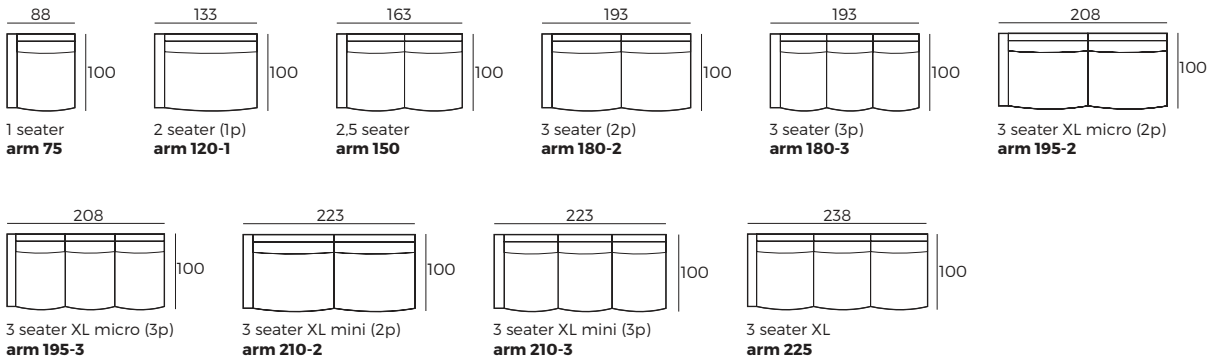
Scale 1:100



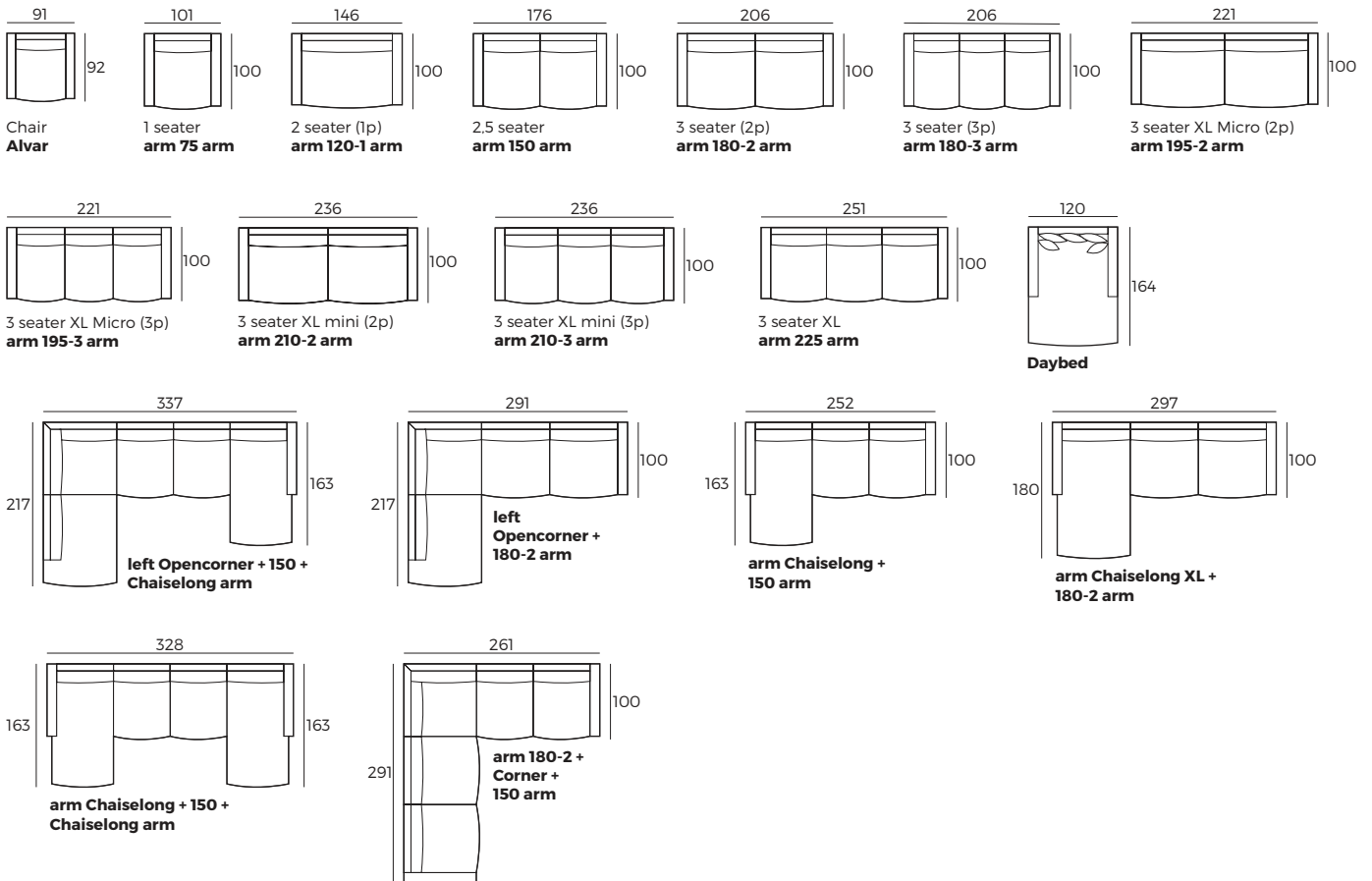
# Alvar

## Modules with armrest

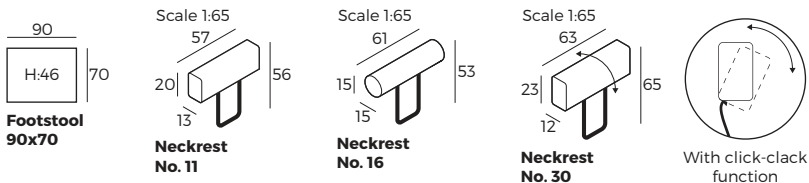
Scale 1:100



## Combinations



## Accessories



# Arch

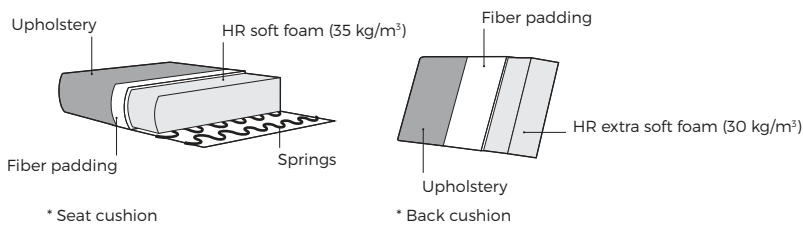


VILMERS

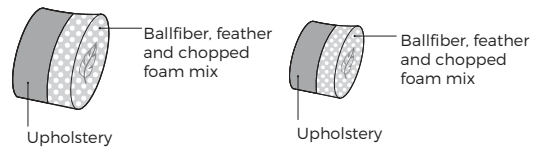
# Arch



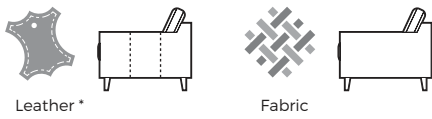
## Comfort



## Deco cushions



### 1. Upholstery



\* Leather covers may require more stitches than fabric covers.

### 2. Tray



### 3. Legs

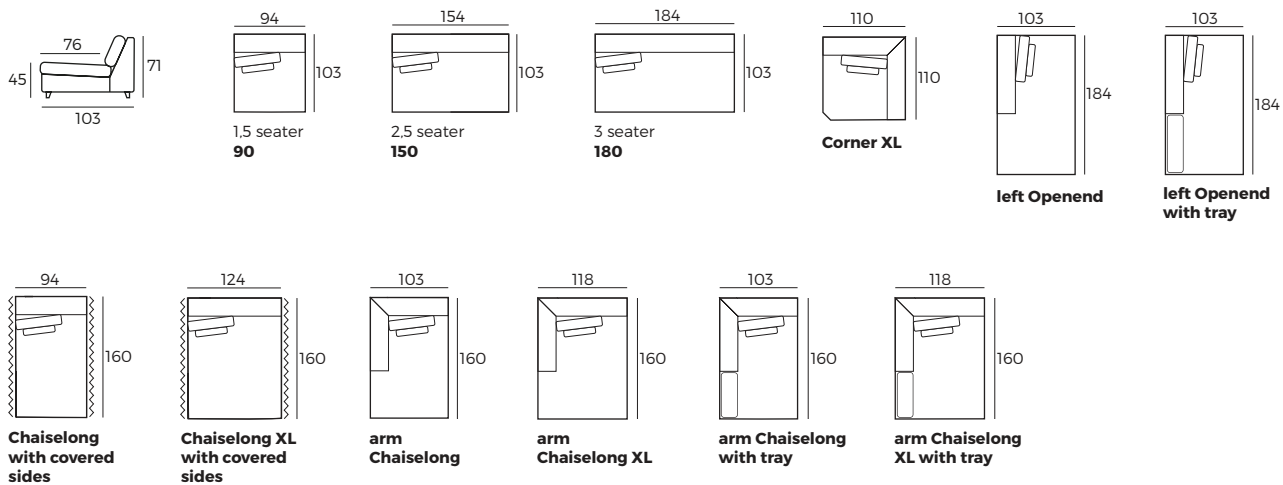


#### IMPORTANT:

Upholstered furniture is handmade using soft materials therefore measurements may vary up to +/- 5 cm.  
Parts and sets shown in 2D drawings are left-sided. Parts and sets can be mirrored from left to right.

## Modules

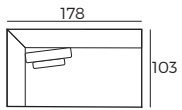
Scale 1:100



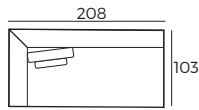
# Arch

## Modules with armrest

Scale 1:100

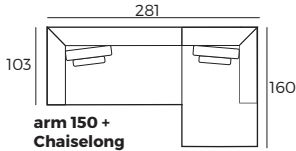


2.5 seater  
arm 150

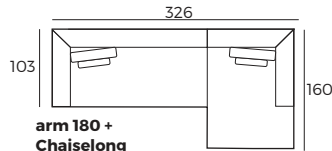


3 seater  
arm 180

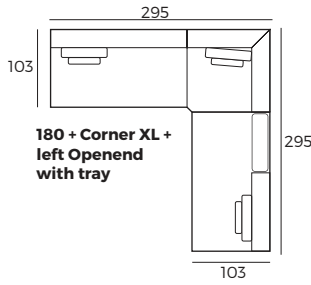
## Combinations



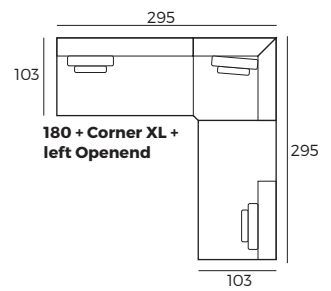
arm 150 +  
Chaiselong  
arm



arm 180 +  
Chaiselong  
XL arm

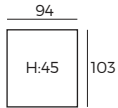


180 + Corner XL +  
left Openend  
with tray

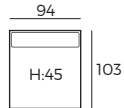


180 + Corner XL +  
left Openend

## Accessories



Footstool  
94x103



Footstool  
with tray  
94x103

# Bird



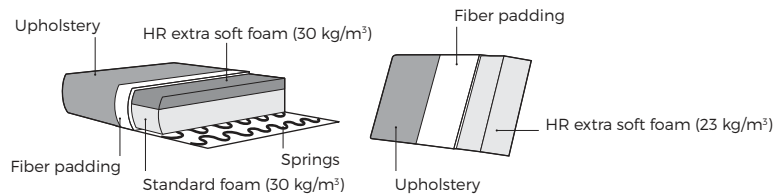
VILMERS



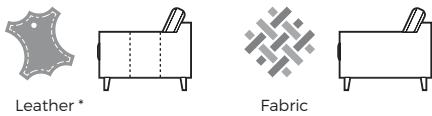
# Bird



## Comfort



### 1. Upholstery

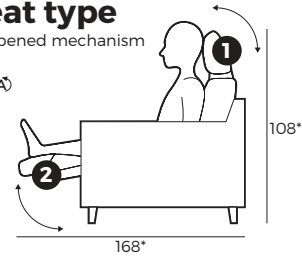


\* Leather covers may require more stitches than fabric covers.

### 2. Headrest & seat type

\*Measurements with fully opened mechanism

- ① Manual ↶ / Electrical ↷
- ② Electrical ↷



### 3. Bi-Color option



### 4. Legs

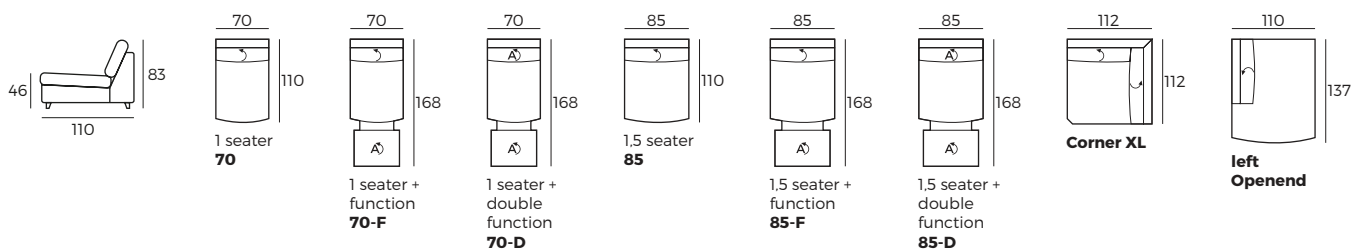


#### IMPORTANT:

Upholstered furniture is handmade using soft materials therefore measurements may vary up to +/- 5 cm.  
Parts and sets shown in 2D drawings are left-sided. Parts and sets can be mirrored from left to right.

## Modules

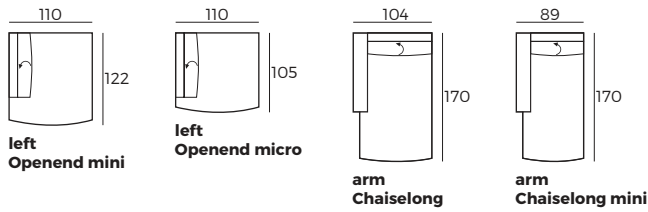
Scale 1:100



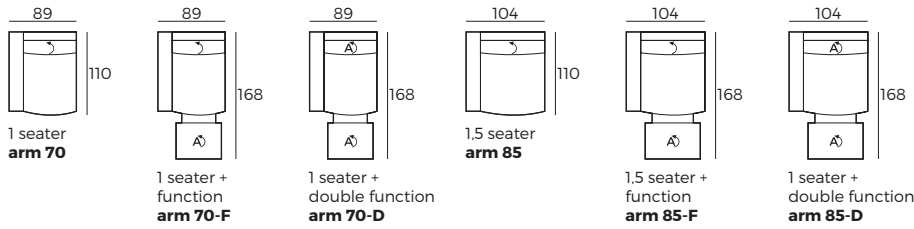
# Bird

Scale 1:100

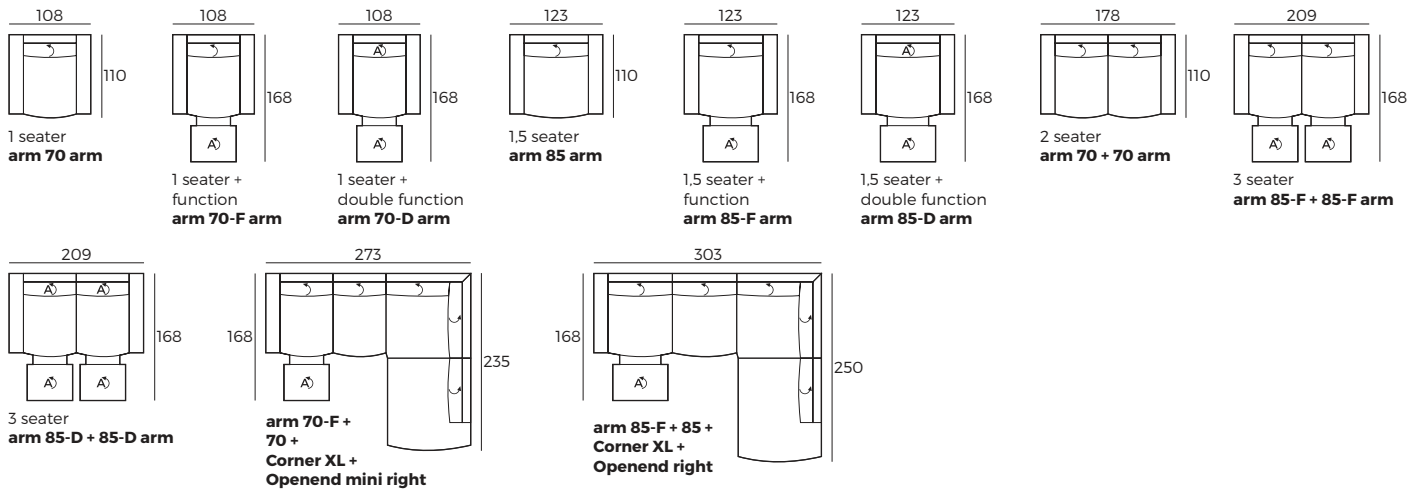
## Modules



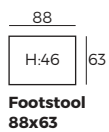
## Modules with armrest



## Combinations



## Accessories



⌋ - manual; ⌋ - electrical \*F - single electric function; \*D - double electric function



# Bluemary

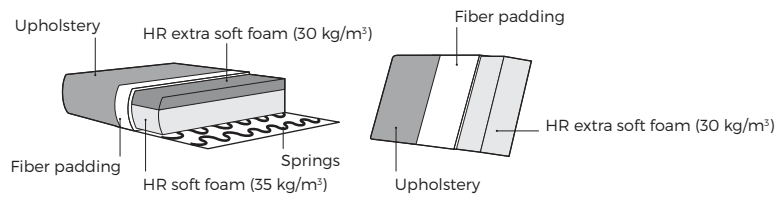


VILMERS

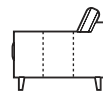
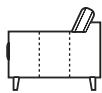
# Bluemary



## Comfort



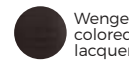
## 1. Upholstery



\* Leather and fabric upholstery contains the same number of stitches.

## 2. Legs

3 cm

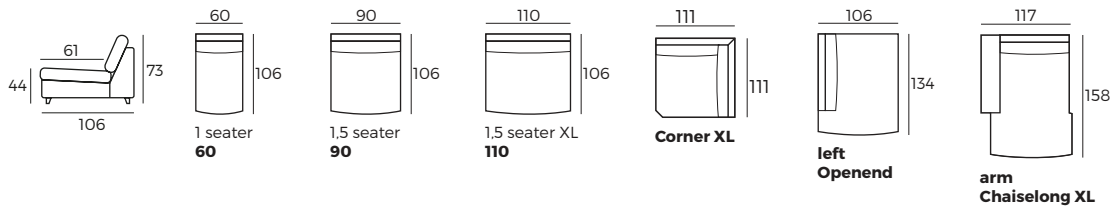


### IMPORTANT:

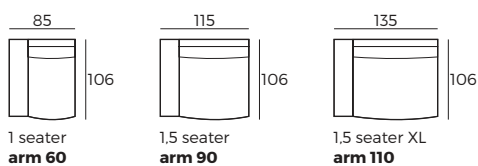
Upholstered furniture is handmade using soft materials therefore measurements may vary up to +/- 5 cm.  
Parts and sets shown in 2D drawings are left-sided. Parts and sets can be mirrored from left to right.

## Modules

Scale 1:100



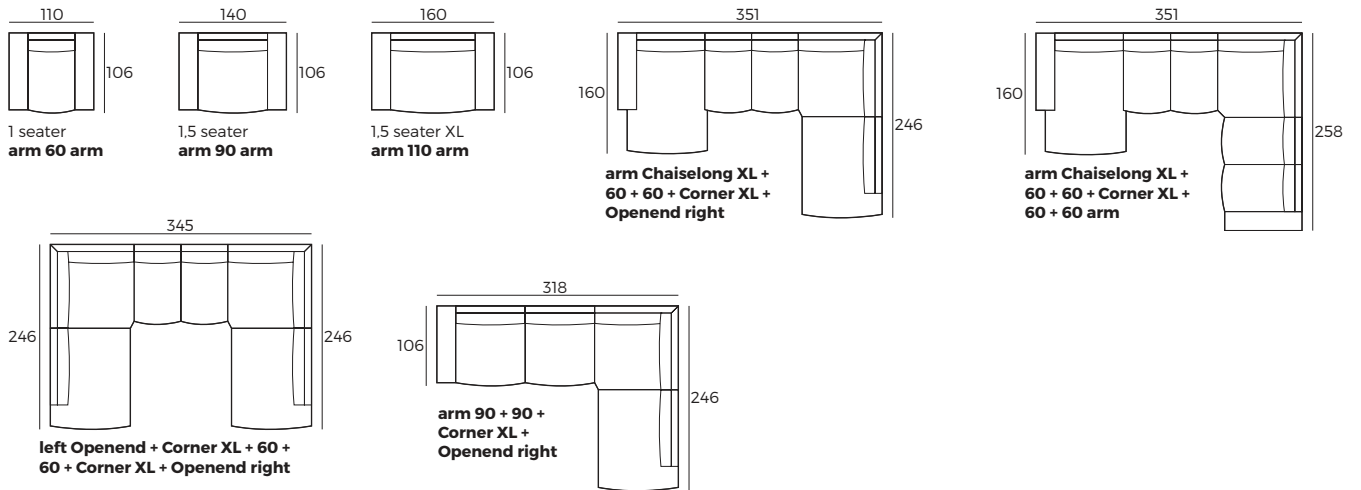
## Modules with armrest



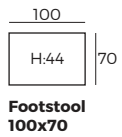
# Bluemary

## Combinations

Scale 1:100



## Accessories



# Boston

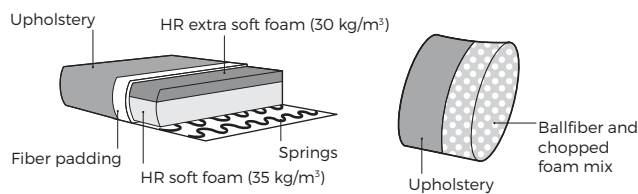


VILMERS

# Boston



## Comfort



## 1. Upholstery



## 2. Armrests



## 3. Choose pillows



## 4. Legs



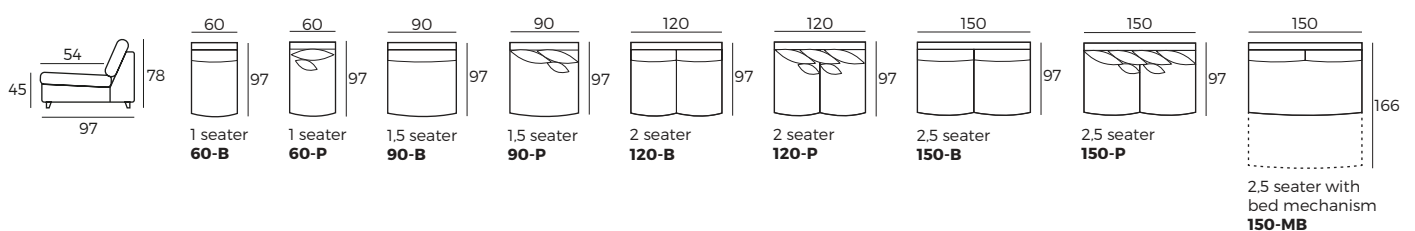
\* The height of all legs can be either 3 cm, 6 cm or 8 cm.

### IMPORTANT:

Upholstered furniture is handmade using soft materials therefore measurements may vary up to +/- 5 cm.  
 Parts and sets shown in 2D drawings are left-sided. Parts and sets can be mirrored from left to right.

## Modules (Measurements with Boston armrest)

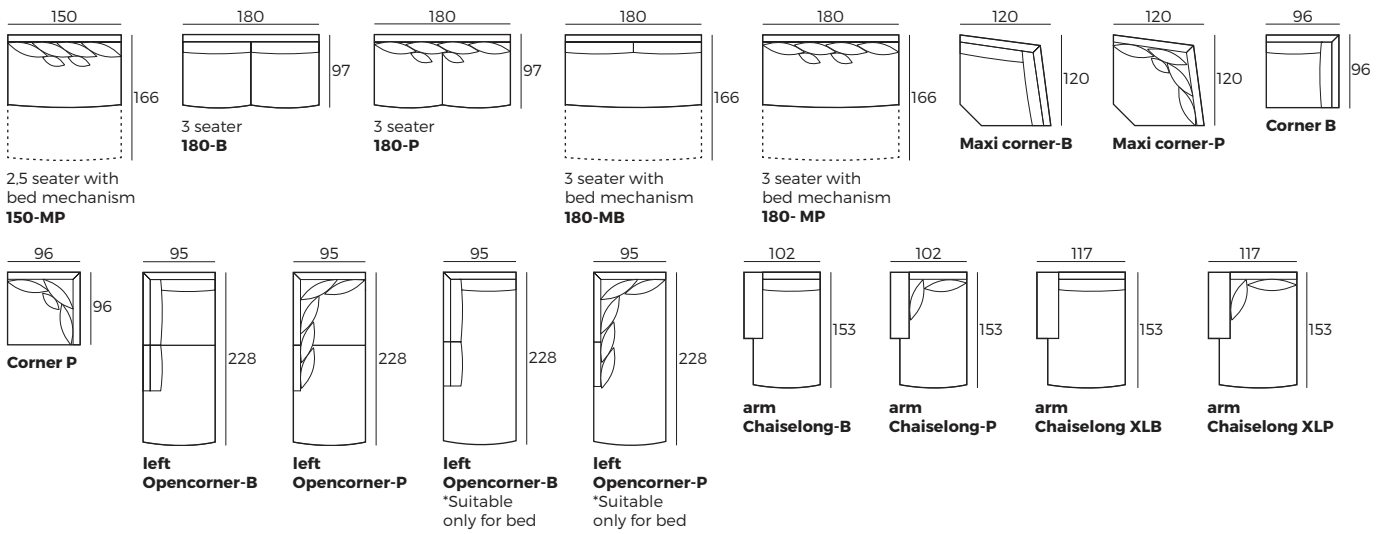
Scale 1:100



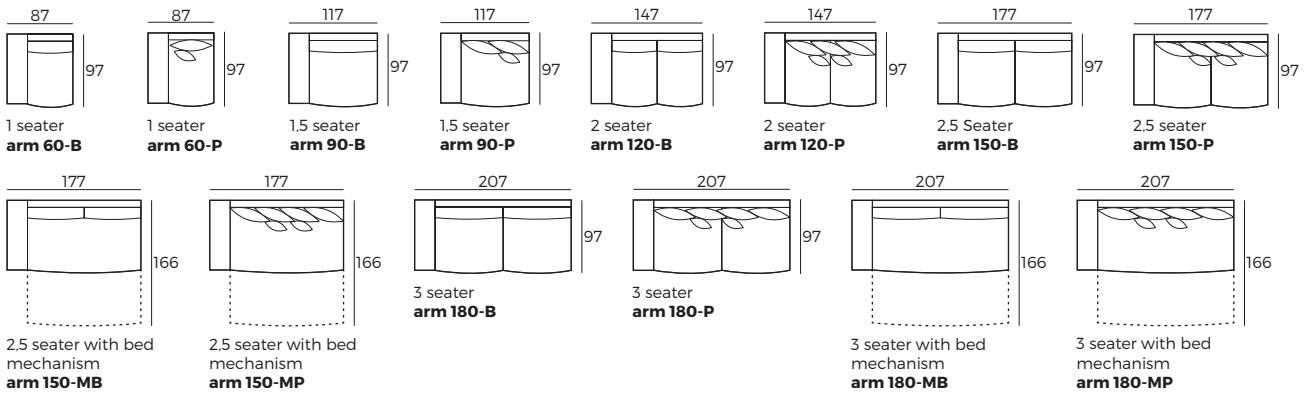
# Boston

## Modules (Measurements with Boston armrest)

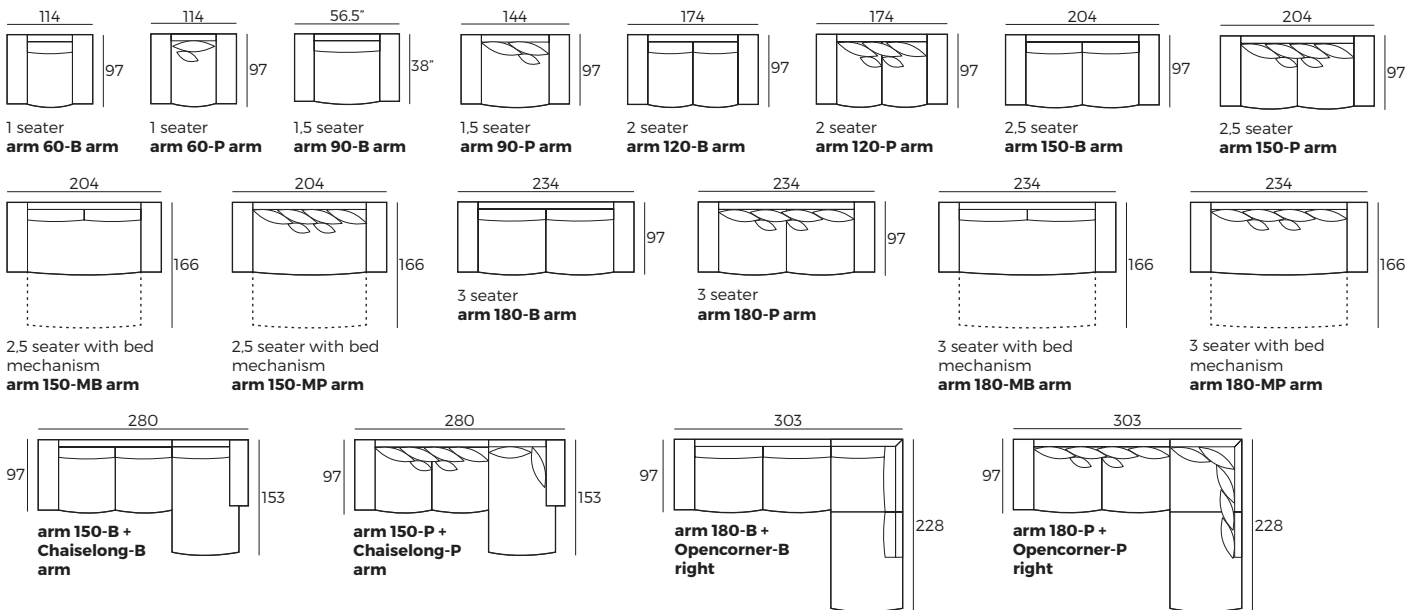
Scale 1:100



## Modules with armrest (Measurements with Boston armrest)

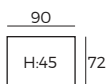


## Combinations (Measurements with Boston armrest)



## Accessories

Scale 1:100



Footstool  
90x72

**REST ASSURED**  
vilmers.com



# Brera

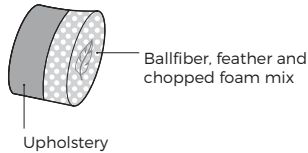
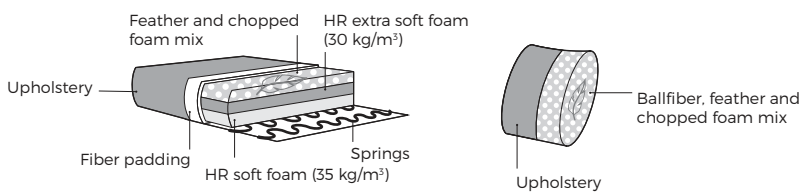


VILMERS

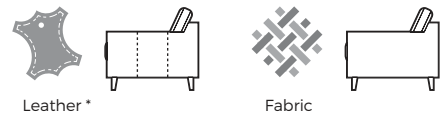
# Brera



## Comfort



## 1. Upholstery



\* Leather covers may require more stitches than fabric covers.

## 2. Legs

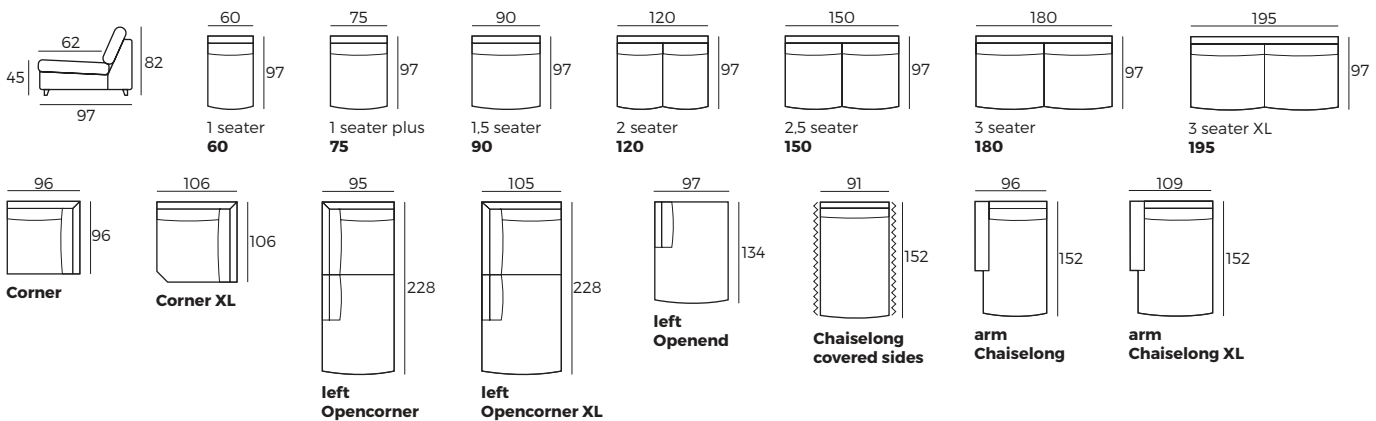


### IMPORTANT:

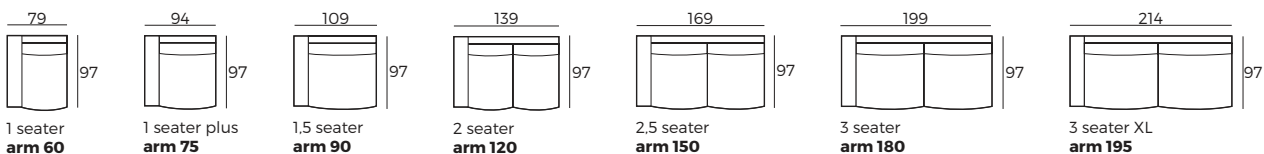
Upholstered furniture is handmade using soft materials therefore measurements may vary up to +/- 5 cm.  
Parts and sets shown in 2D drawings are left-sided. Parts and sets can be mirrored from left to right.  
The standard leg is 12 cm.

## Modules

Scale 1:100



## Modules with armrest

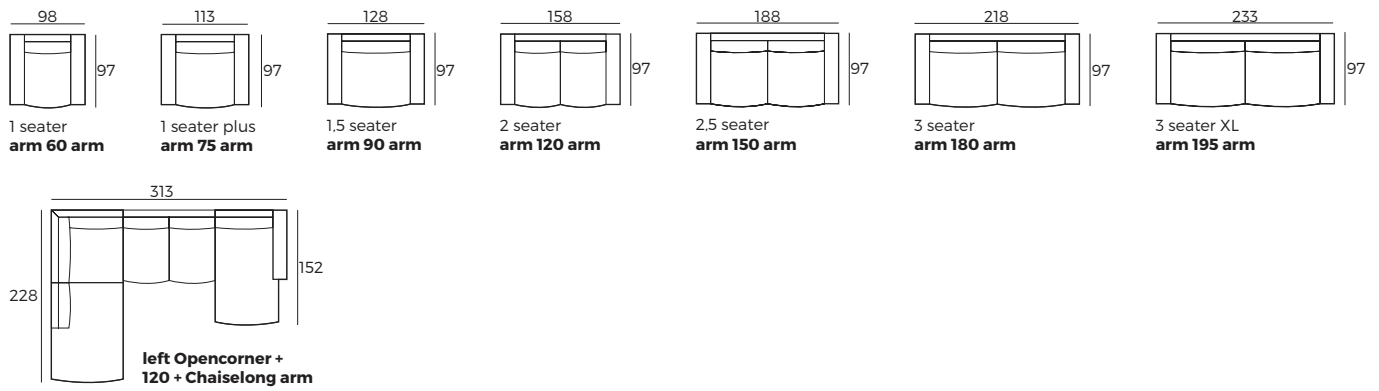




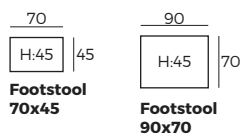
# Brera

## Combinations

Scale 1:100



## Accessories



# Burrow

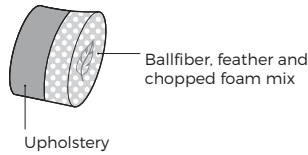
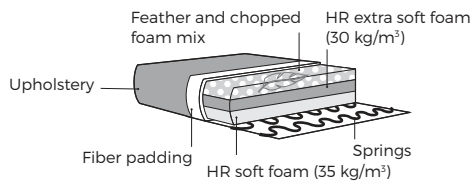


VILMERS

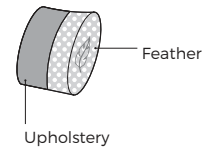
# Burrow



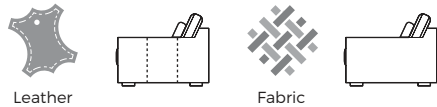
## Comfort



## Deco cushion



## 1. Upholstery



\* Leather covers may require more stitches than fabric covers.

## 2. Armrest



**Burrow**  
W 29 x D 114 x H 51

**Eira**  
W 25 x D 114 x H 51

## 3. Legs

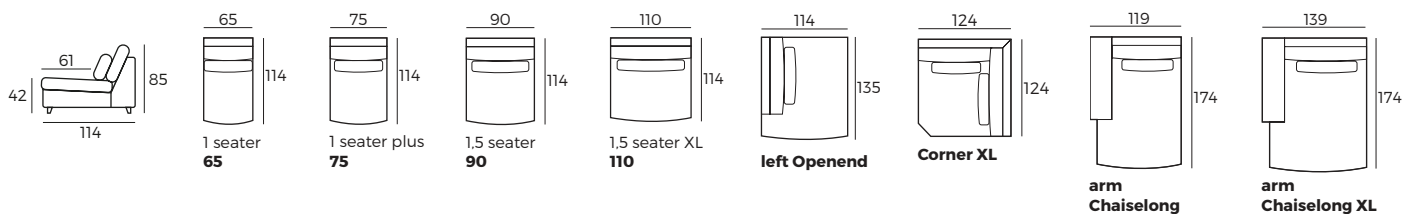


### IMPORTANT:

Upholstered furniture is handmade using soft materials therefore measurements may vary up to +/- 5 cm.  
Parts and sets shown in 2D drawings are left-sided. Parts and sets can be mirrored from left to right.

## Modules (Measurements with Burrow armrest)

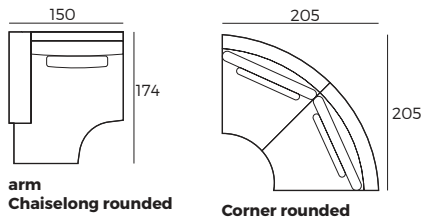
Scale 1:100



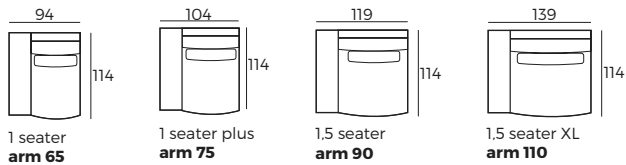
# Burrow

## Modules (Measurements with Burrow armrest)

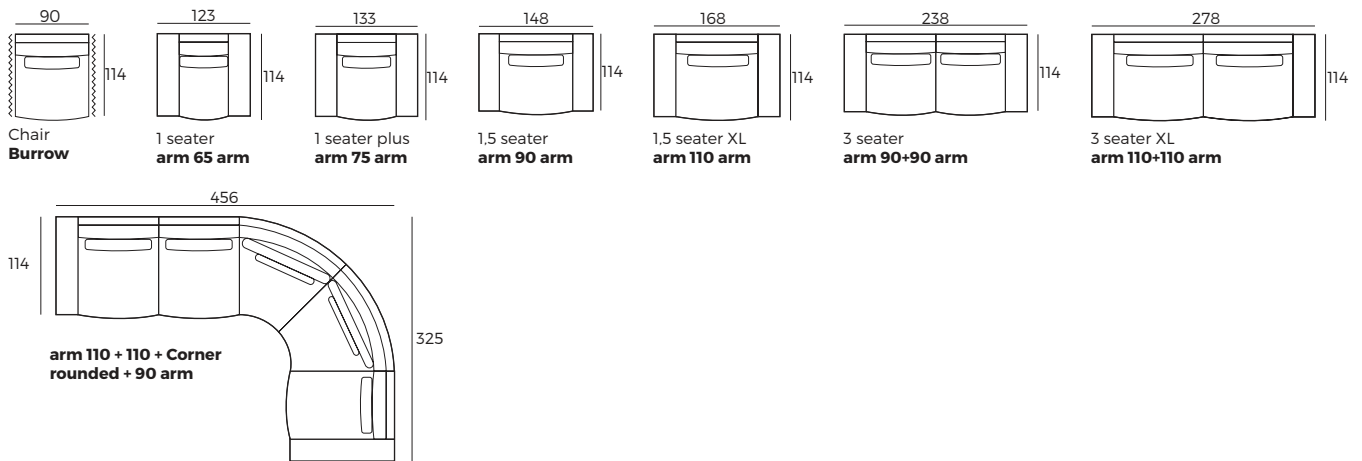
Scale 1:100



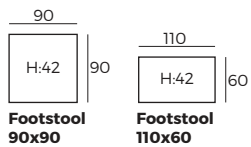
## Modules with armrest (Measurements with Burrow armrest)



## Combinations (Measurements with Burrow armrest)



## Accessories



# Canyon



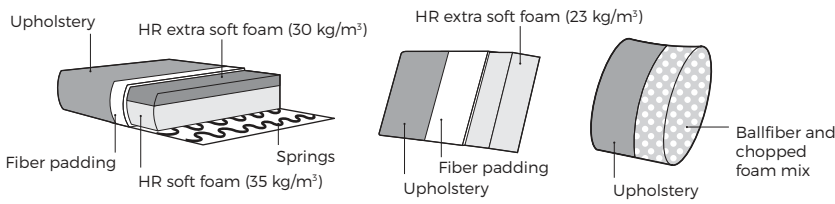
VILMERS



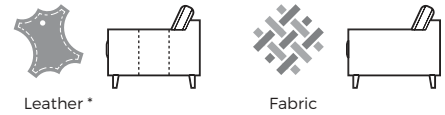
# Canyon



## Comfort



## 1. Upholstery



\* Leather covers may require more stitches than fabric covers.

## 2. Multicolor Option



## 3. Choose pillows

Multi corner



## 4. Legs

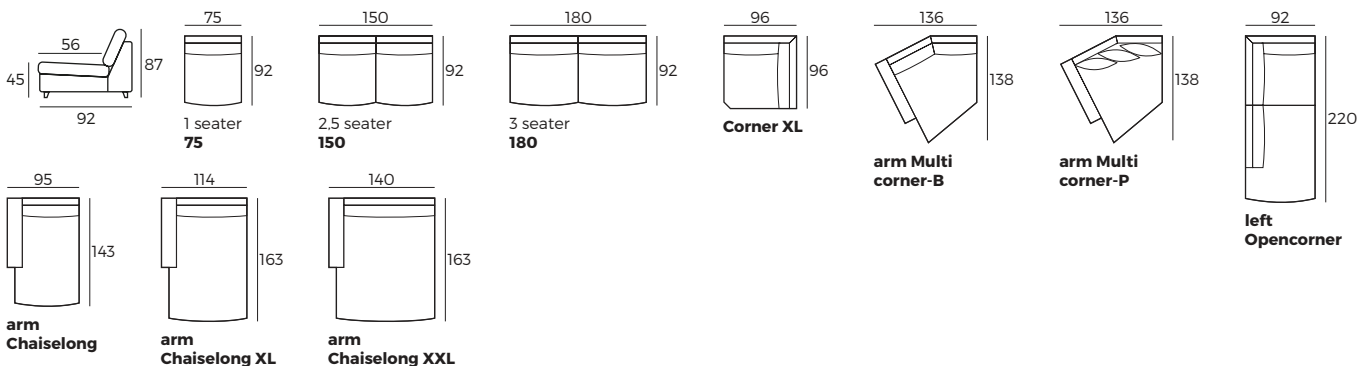


### IMPORTANT:

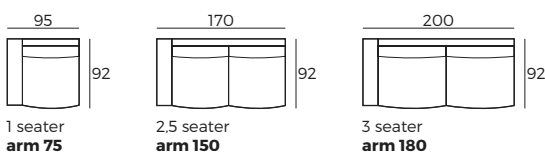
Upholstered furniture is handmade using soft materials therefore measurements may vary up to +/- 5 cm.  
Parts and sets shown in 2D drawings are left-sided. Parts and sets can be mirrored from left to right.

## Modules

Scale 1:100



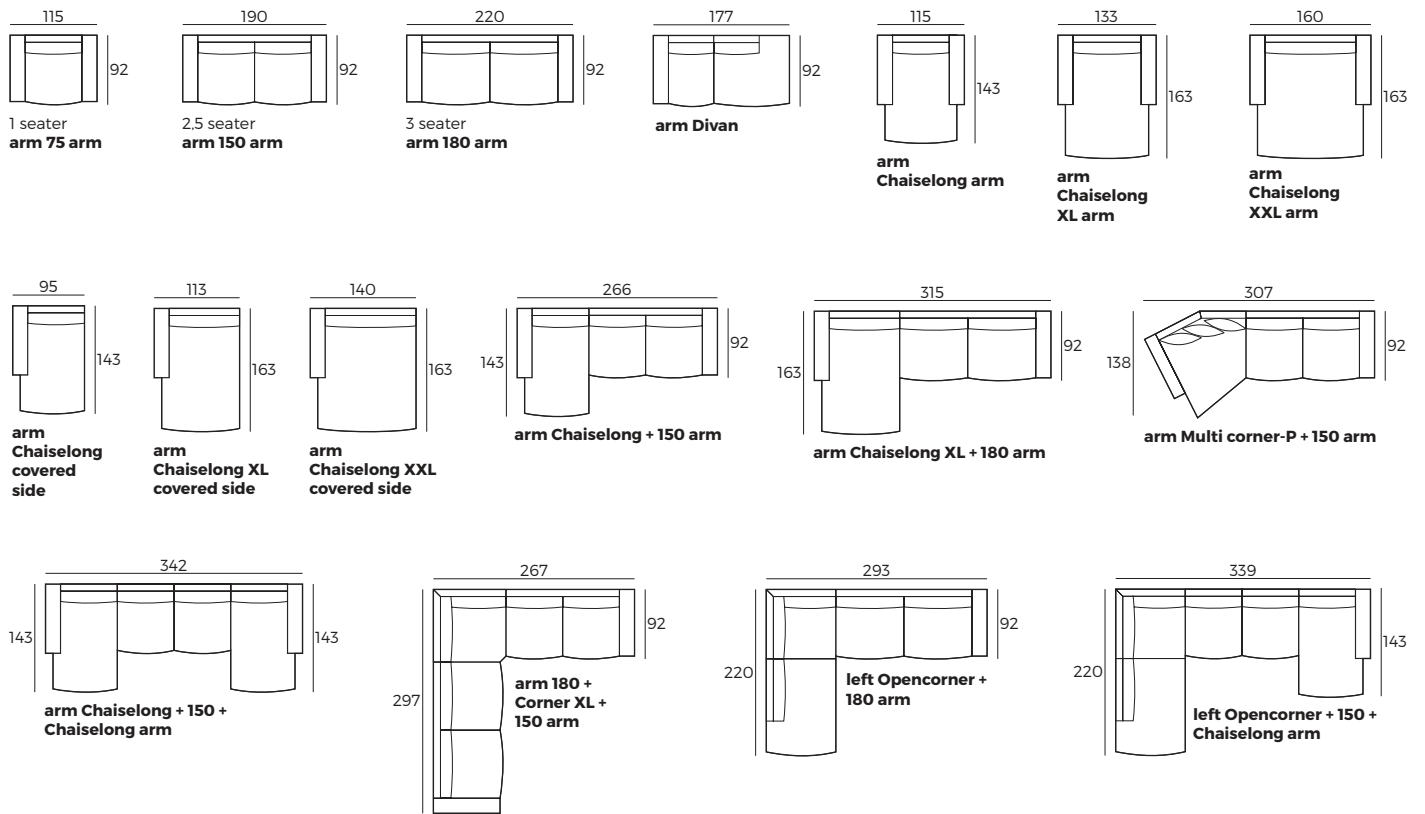
## Modules with armrest



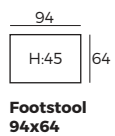
# Canyon

## Combinations

Scale 1:100



## Accessories



# Cara

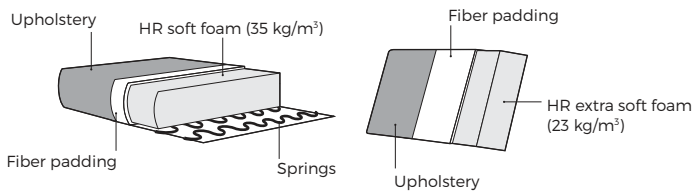




# Cara



## Comfort



## 1. Upholstery

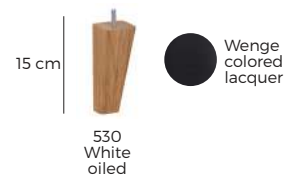


## 2. Armrests



W 14 x D 83 x H 53    W 15 x D 83 x H 53    W 17 x D 83 x H 53

## 3. Legs

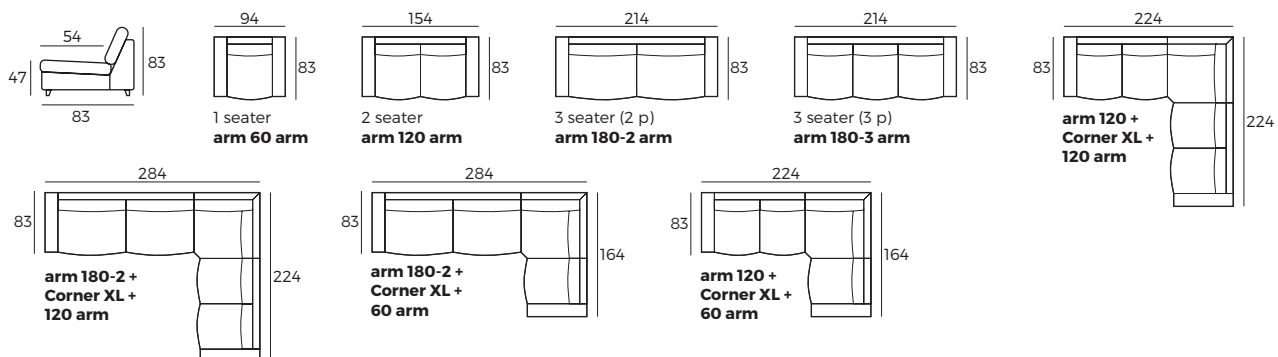


### IMPORTANT:

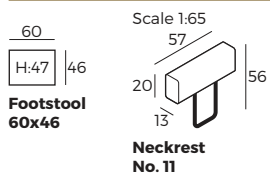
Upholstered furniture is handmade using soft materials therefore measurements may vary up to +/- 5 cm.  
 Parts and sets shown in 2D drawings are left-sided. Parts and sets can be mirrored from left to right.

## Combinations (Measurements with Cara armrest)

Scale 1:100



## Accessories



# Carolina

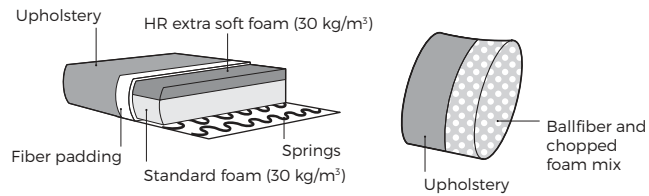


VILMERS

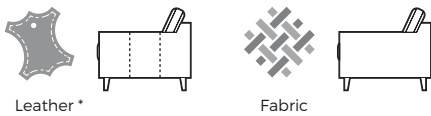
# Carolina



## Comfort



### 1. Upholstery



\* Leather covers may require more stitches than fabric covers.

### 2. Armrests



### 3. Choose pillows



### 4. Legs

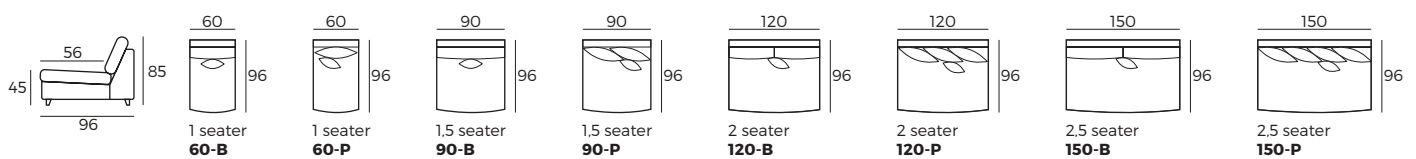


#### IMPORTANT:

Upholstered furniture is handmade using soft materials therefore measurements may vary up to +/- 5 cm.  
Parts and sets shown in 2D drawings are left-sided. Parts and sets can be mirrored from left to right.

## Modules (Measurements with Street armrest)

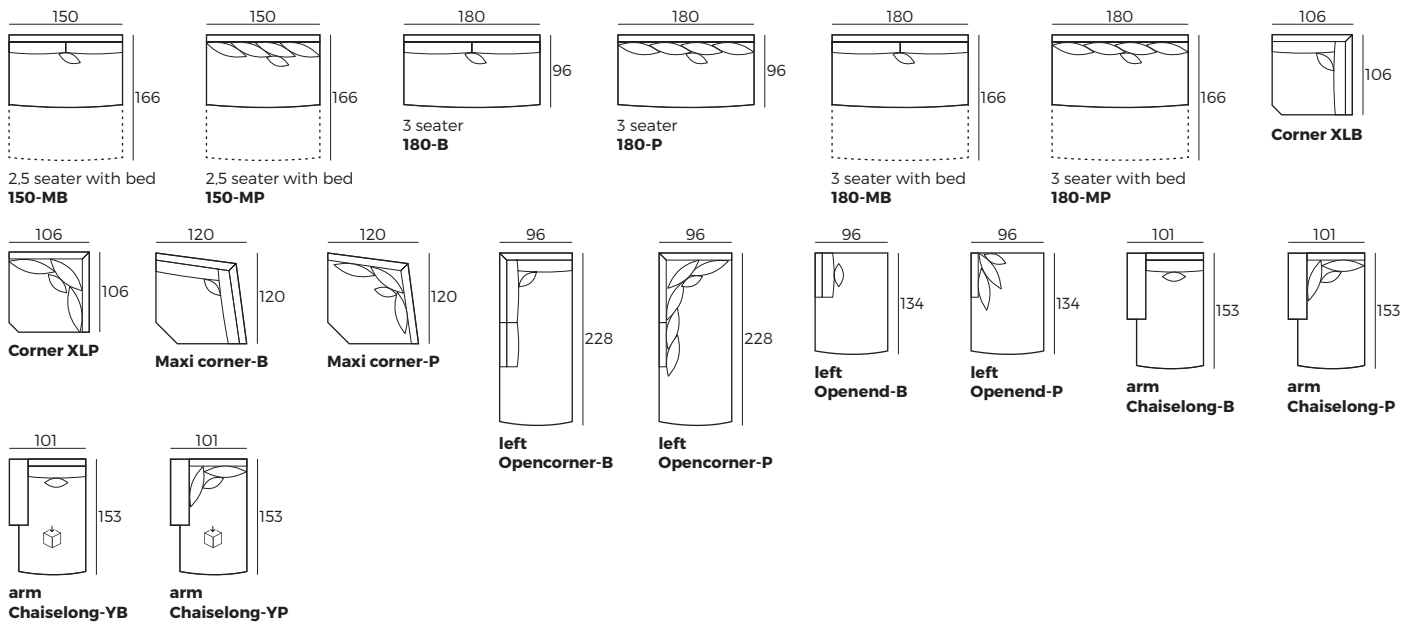
Scale 1:100



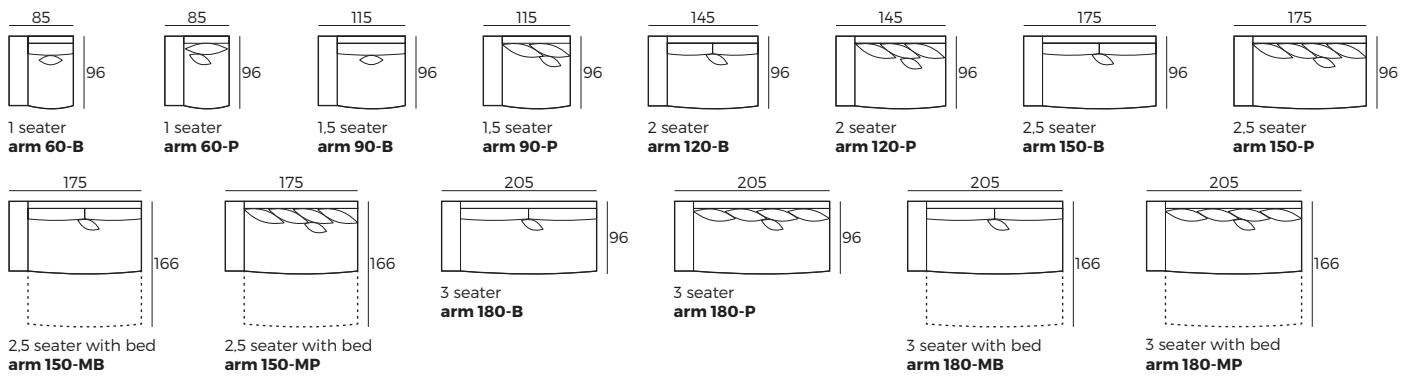
# Carolina

## Modules (Measurements with Street armrest)

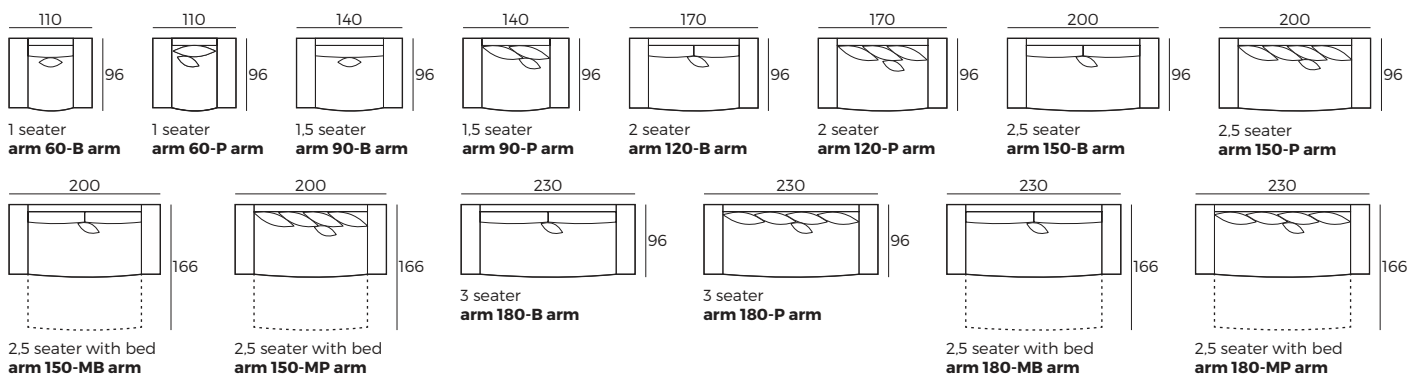
Scale 1:100



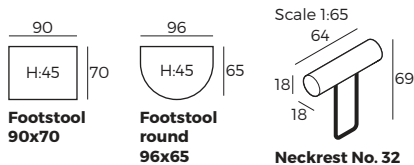
## Modules with armrest (Measurements with Street armrest)



## Combinations (Measurements with Street armrest)



## Accessories



# Donau

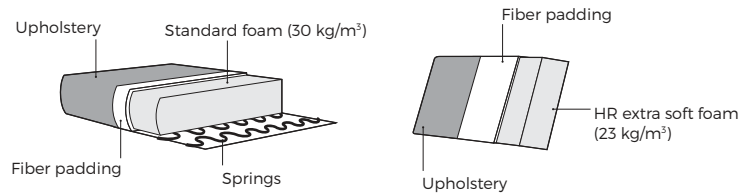


VILMERS

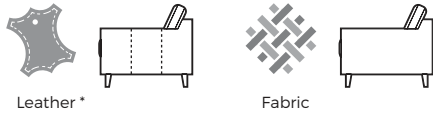
# Donau



## Comfort



### 1. Upholstery



\* Leather covers may require more stitches than fabric covers.

### 2. Legs

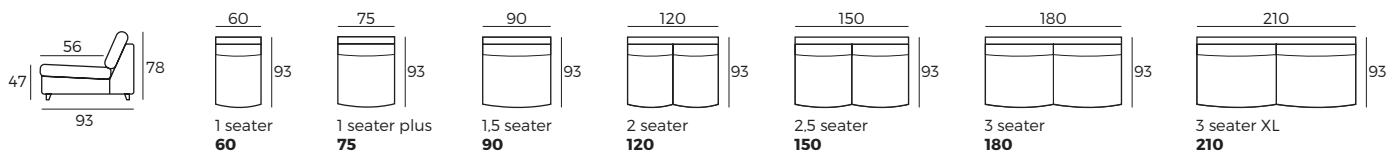


#### IMPORTANT:

Upholstered furniture is handmade using soft materials therefore measurements may vary up to **+/- 5 cm**.  
Parts and sets shown in 2D drawings are left-sided. Parts and sets can be mirrored from left to right.

## Modules

Scale 1:100

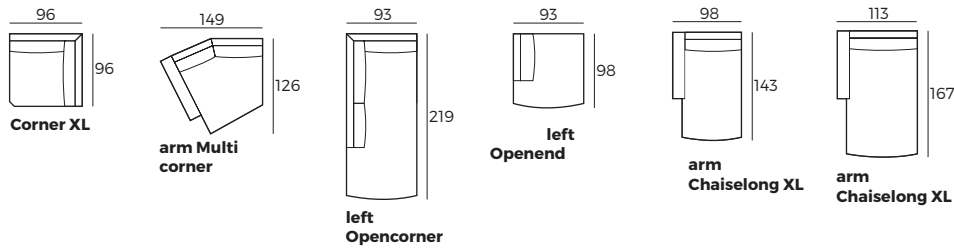




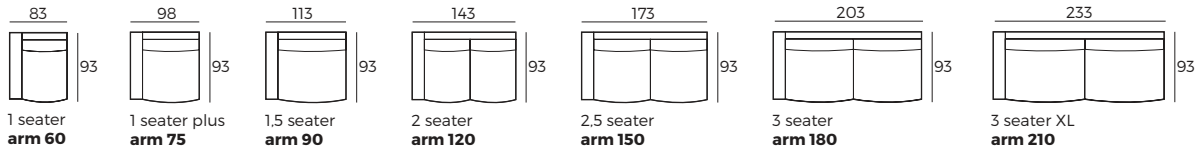
# Donau

Scale 1:100

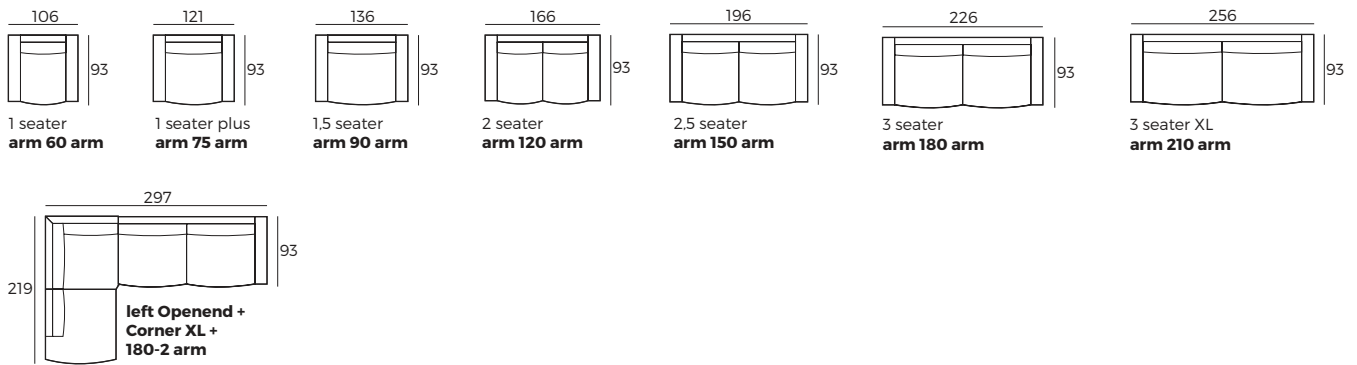
## Modules



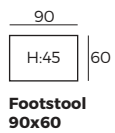
## Modules with armrest



## Combinations



## Accessories



# Dreamer

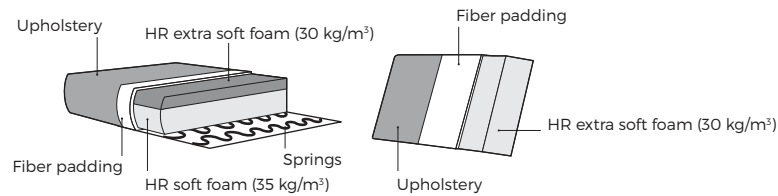


VILMERS

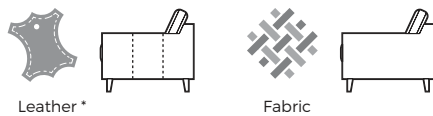
# Dreamer



## Comfort



### 1. Upholstery

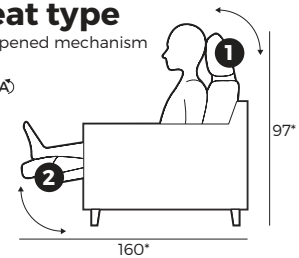


\* Leather covers may require more stitches than fabric covers.

### 2. Headrest & seat type

\*Measurements with fully opened mechanism

- 1 Manual ↗ / Electrical ⤴
- 2 Electrical ⤴



### 3. Armrests



\*Not suitable for chaiselong

**Omega\***

W 3 x D 104 x H 55

**River**

W 18 x D 104 x H 55

**Gaby**

W 25 x D 104 x H 55

### 4. Multicolor option



### 5. Legs

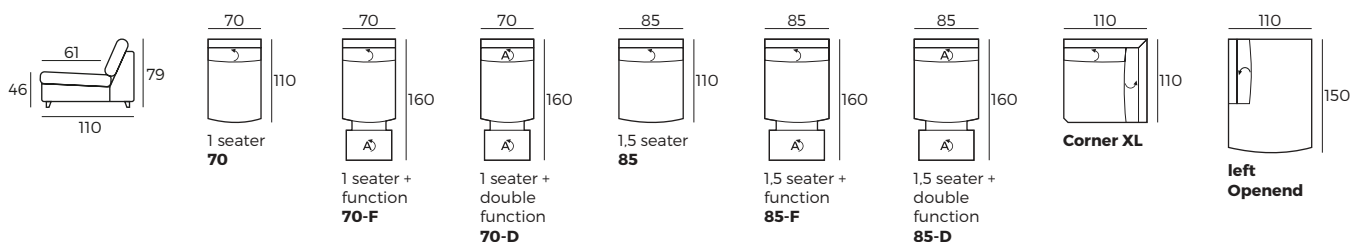


#### IMPORTANT:

Upholstered furniture is handmade using soft materials therefore measurements may vary up to +/- 5 cm.  
Parts and sets shown in 2D drawings are left-sided. Parts and sets can be mirrored from left to right.

## Modules (Measurements with Gaby armrest)

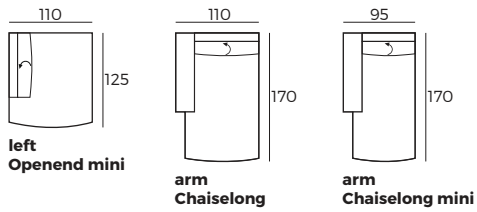
Scale 1:100



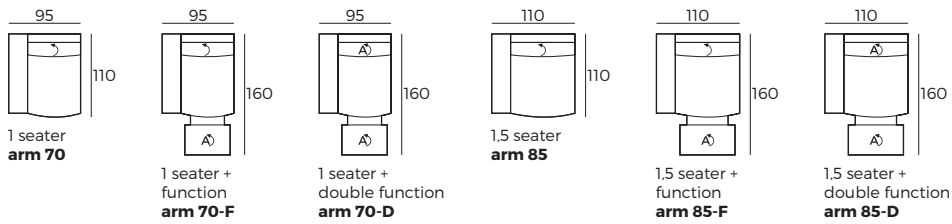
# Dreamer

## Modules (Measurements with Gaby armrest)

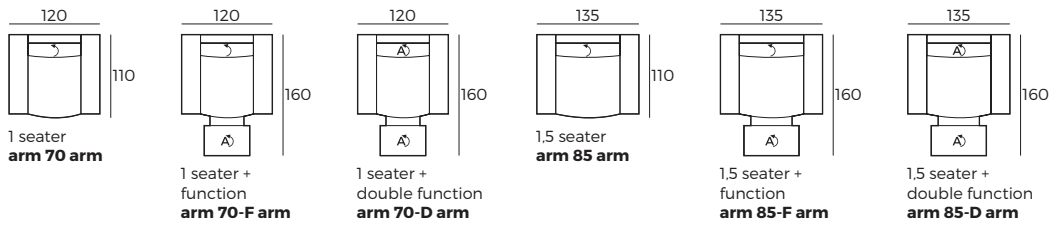
Scale 1:100



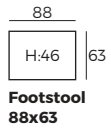
## Modules with armrest (Measurements with Gaby armrest)



## Combinations (Measurements with Gaby armrest)



## Accessories



› - manual; Ⓐ - electrical \*F - single electric function; \*D - double electric function



# Ella

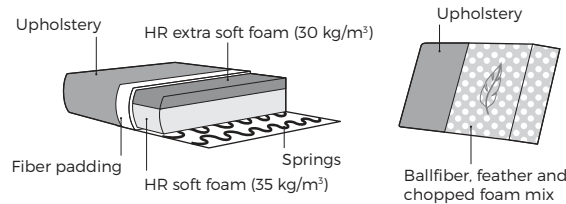


VILMERS

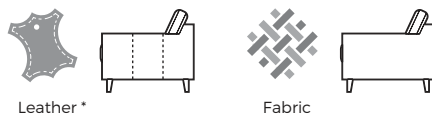
# Ella



## Comfort



### 1. Upholstery



\* Leather covers may require more stitches than fabric covers.

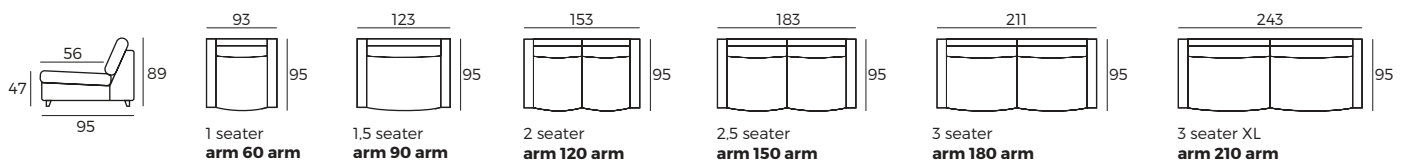
### 2. Legs



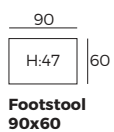
#### IMPORTANT:

Upholstered furniture is handmade using soft materials therefore measurements may vary up to +/- 5 cm.

## Combinations



## Accessories



Footstool  
90x60



# Equinoxe

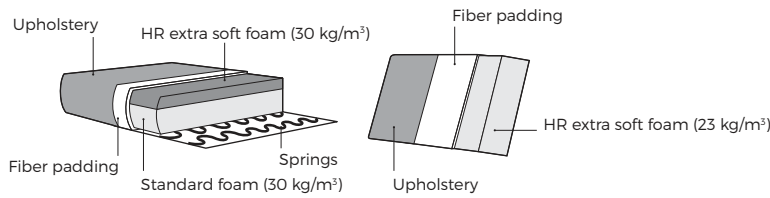


VILMERS

# Equinoxe



## Comfort



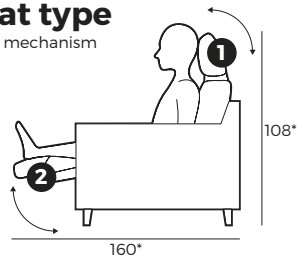
## 1. Upholstery



## 2. Headrest & seat type

\*Measures with fully opened mechanism

- 1 Manual ↶
- 2 Electrical ⚡



## 3. Multicolor option



## 4. Legs

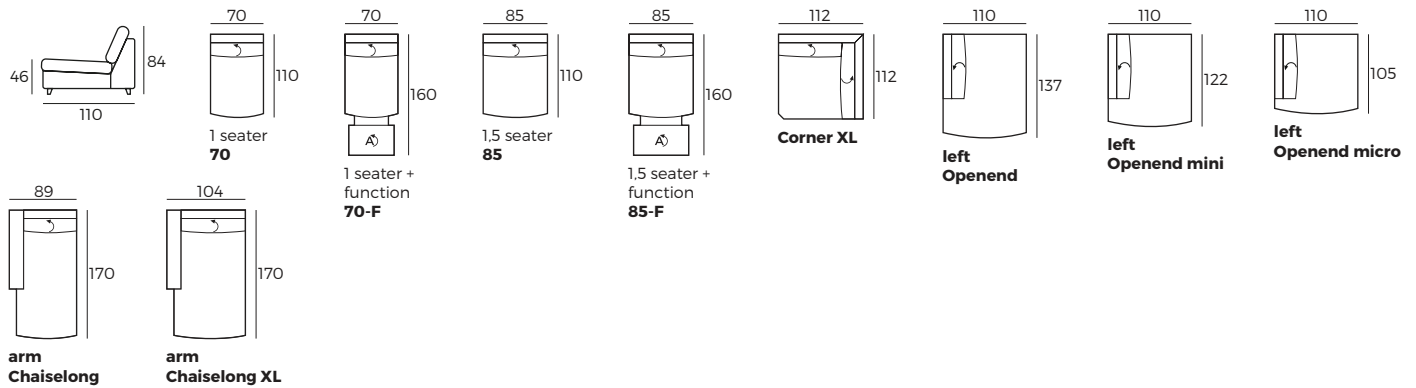


### IMPORTANT:

Upholstered furniture is handmade using soft materials therefore measurements may vary up to +/- 5 cm.  
Parts and sets shown in 2D drawings are left-sided. Parts and sets can be mirrored from left to right.

## Modules

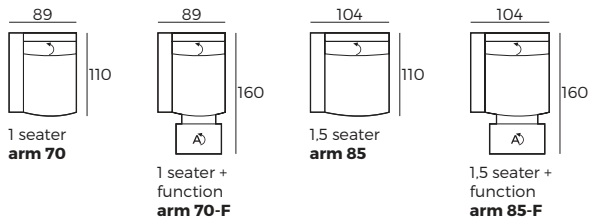
Scale 1:100



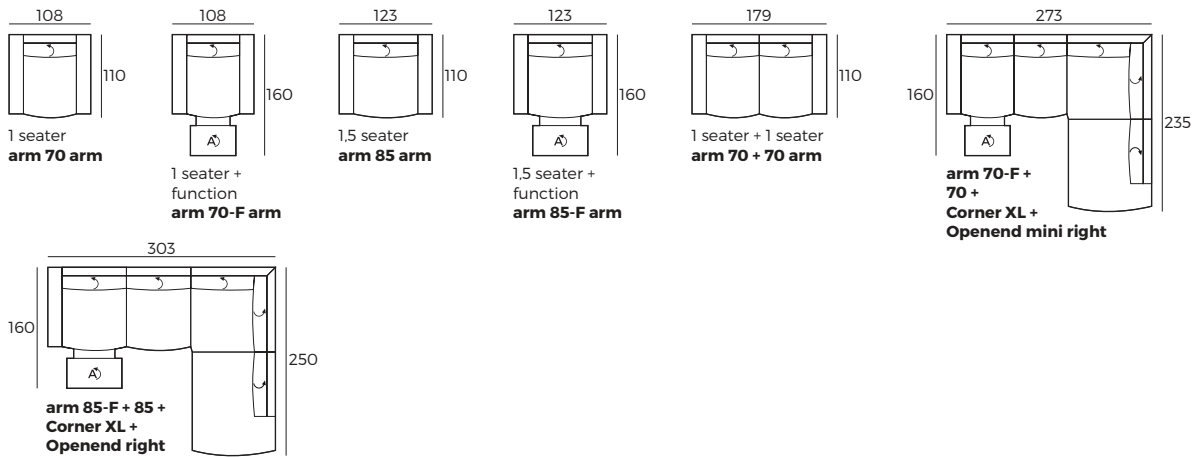
# Equinoxe

## Modules with armrest

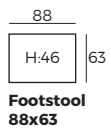
Scale 1:100



## Combinations



## Accessories



⌋ - manual; ⌋ - electrical    \*F - single electric function



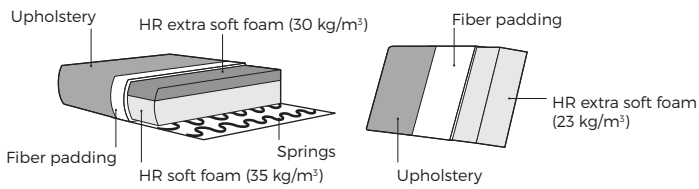
# Etro



# Etro



## Comfort



## 1. Upholstery



## 2. Multicolor option



## 3. Choose pillows

Multi corner



## 4. Legs

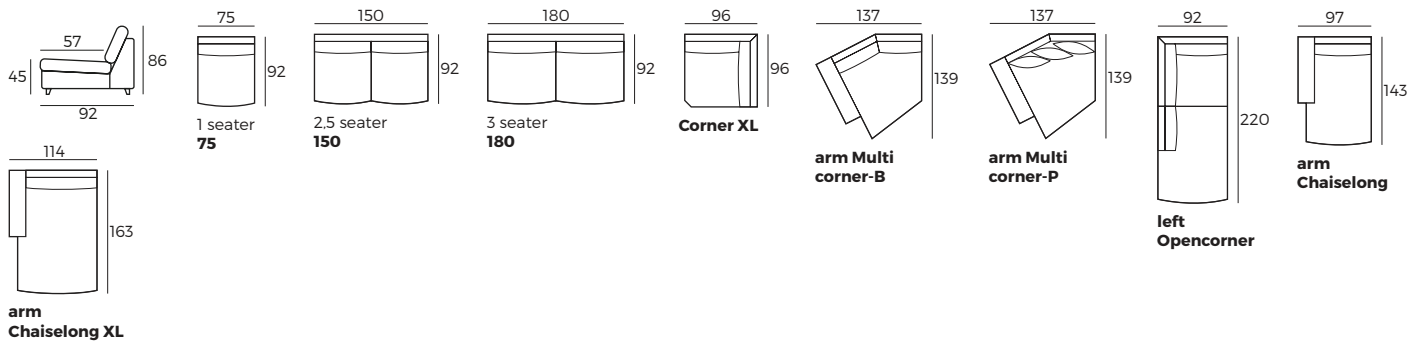


### IMPORTANT:

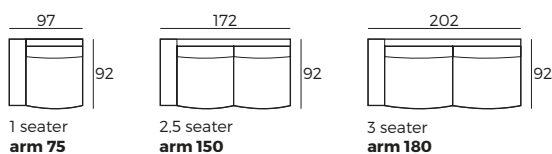
Upholstered furniture is handmade using soft materials therefore measurements may vary up to +/- 5 cm.  
Parts and sets shown in 2D drawings are left-sided. Parts and sets can be mirrored from left to right.

## Modules

Scale 1:100



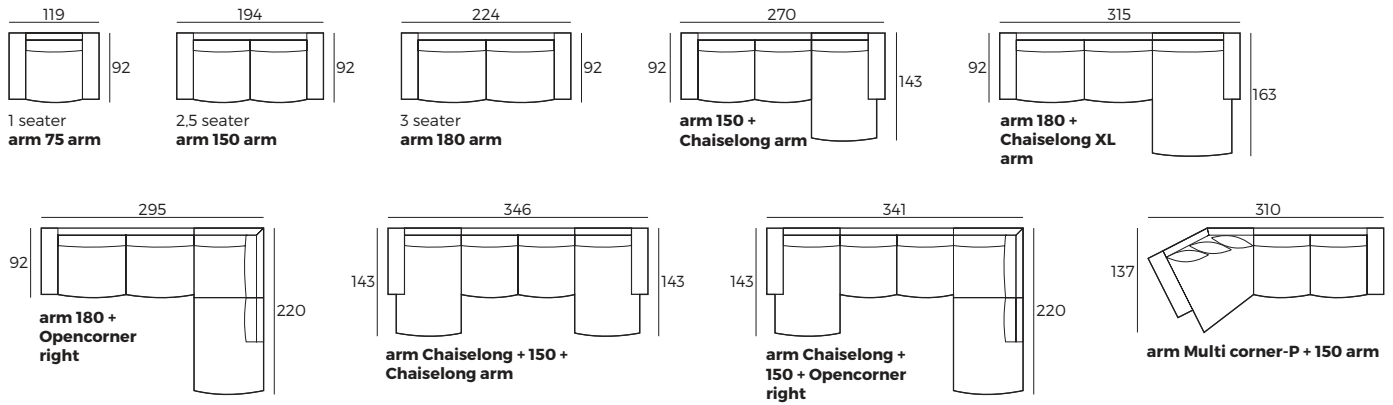
## Modules with armrest



# Etro

## Combinations

Scale 1:100



## Accessories





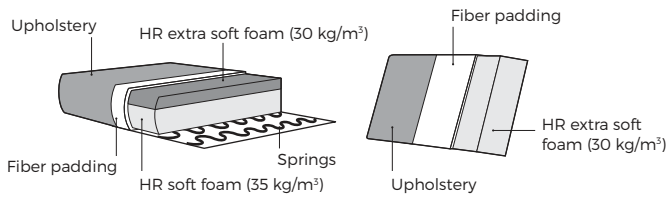
# Fascination



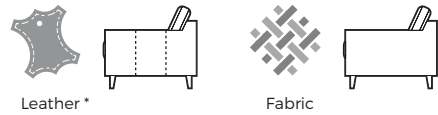
# Fascination



## Comfort



## 1. Upholstery

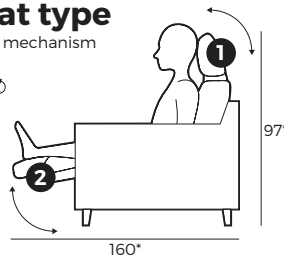


\* Leather covers may require more stitches than fabric covers.

## 2. Headrest & seat type

\*Measures with fully opened mechanism

- 1 Manual ↗ / Electrical ↻
- 2 Electrical ↻



## 3. Multicolor option



## 4. Armrests



**Omega\***

W 3 x L 104 x H 55



**River**

W 18 x L 104 x H 55



**Fascination**

W 25 x L 104 x H 55



**Gaby**

W 25 x L 104 x H 55

## 5. Legs



329 Oiled



Wenge colored lacquer



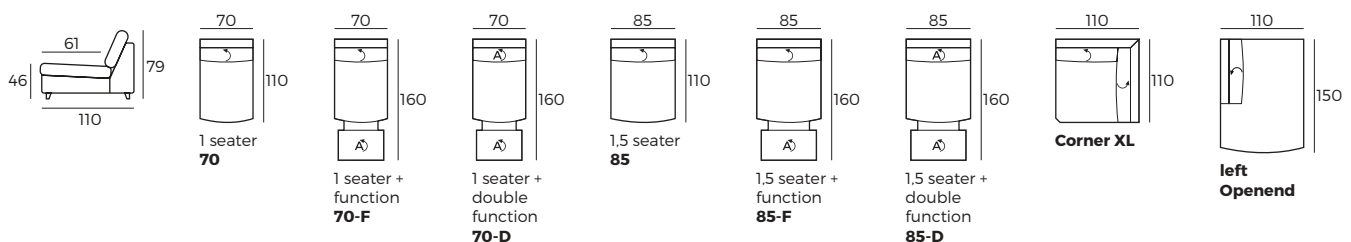
323 Metal

### IMPORTANT:

Upholstered furniture is handmade using soft materials therefore measurements may vary up to +/- 5 cm.  
Parts and sets shown in 2D drawings are left-sided. Parts and sets can be mirrored from left to right.

## Modules (Measurements with Fascination armrest)

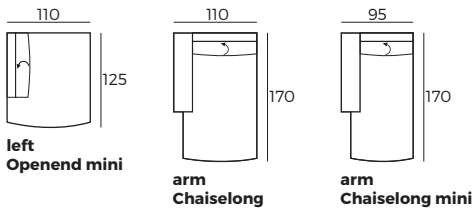
Scale 1:100



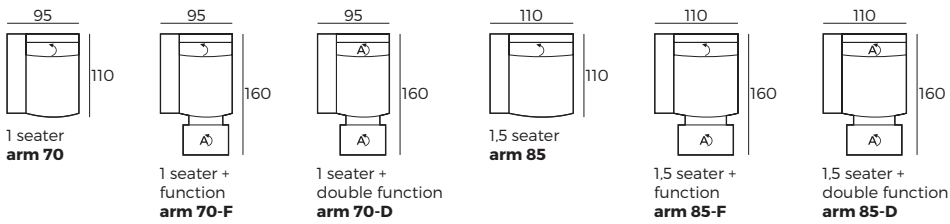
# Facination

## Modules (Measurements with Fascination armrest)

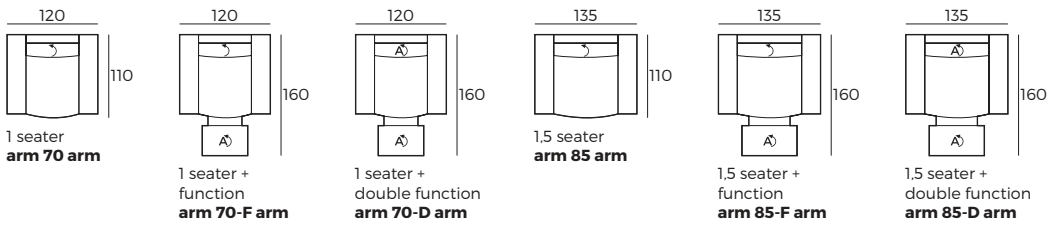
Scale 1:100



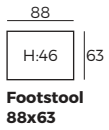
## Modules with armrest (Measurements with Fascination armrest)



## Combinations (Measurements with Fascination armrest)



## Accessories



› - manual; Ⓐ - electrical \*F - single electric function; \*D - double electric function

# Felton slim

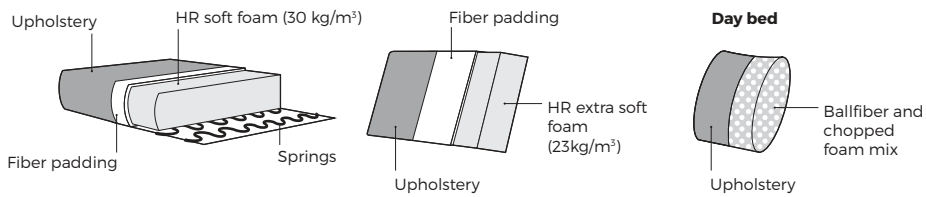


VILMERS

# Felton slim



## Comfort



## 1. Upholstery



## 2. Legs

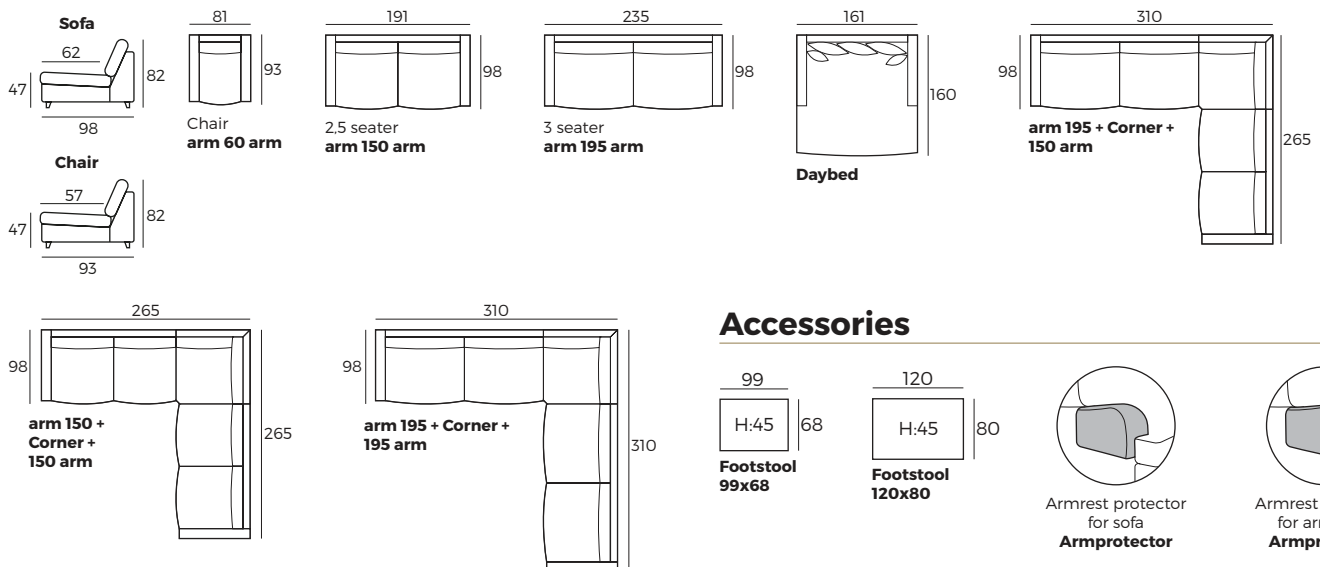


### IMPORTANT:

Upholstered furniture is handmade using soft materials therefore measurements may vary up to +/- 5 cm.  
Parts and sets shown in 2D drawings are left-sided. Parts and sets can be mirrored from left to right.

## Combinations

Scale 1:100



# Fern



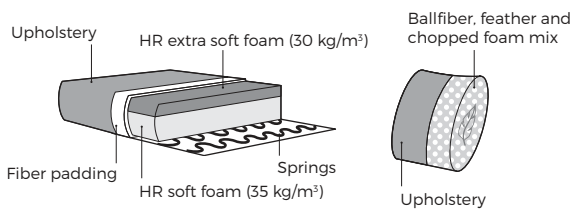
VILMERS



# Fern



## Comfort



## 1. Upholstery



Fabric

## 2. Legs

18 cm



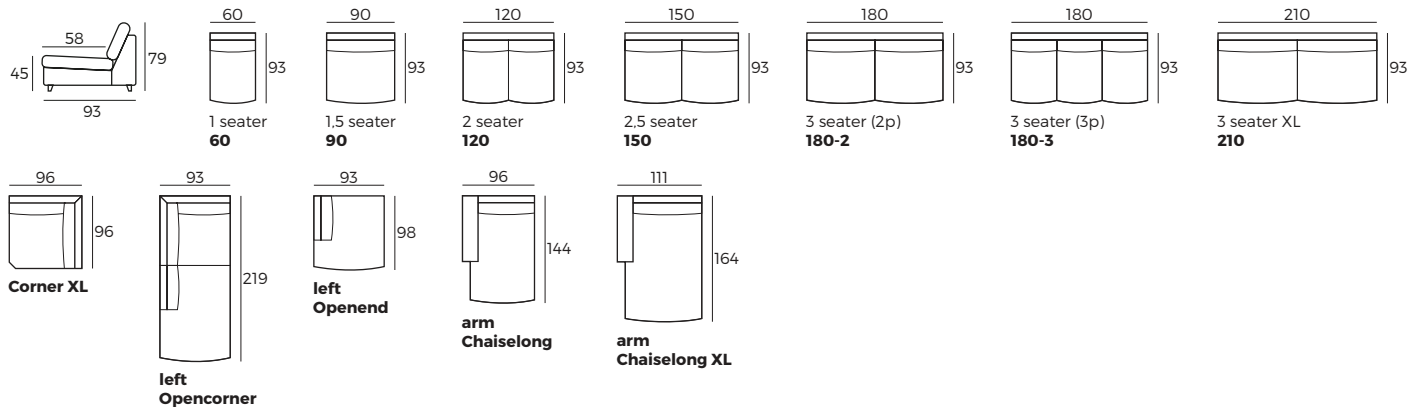
454 Black metal

### IMPORTANT:

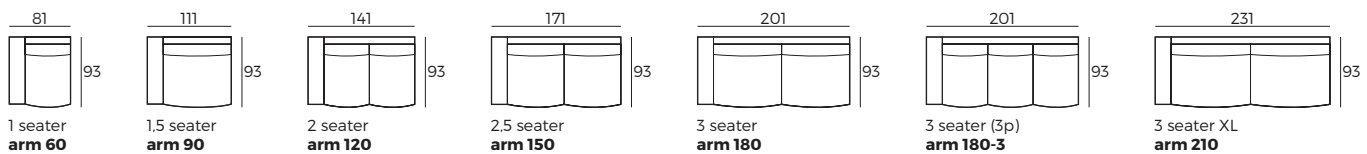
Upholstered furniture is handmade using soft materials therefore measurements may vary up to +/- 5 cm.  
Parts and sets shown in 2D drawings are left-sided. Parts and sets can be mirrored from left to right.

## Modules

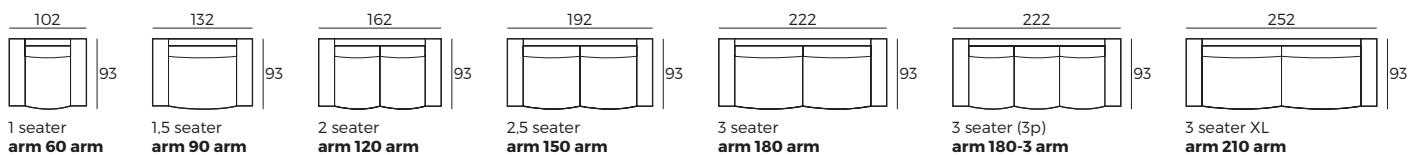
Scale 1:100



## Modules with armrest



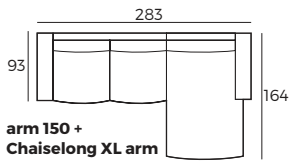
## Combination



# Fern

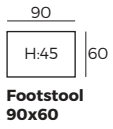
## Combination

Scale 1:100



## Accessories

Scale 1:100



# Fifties

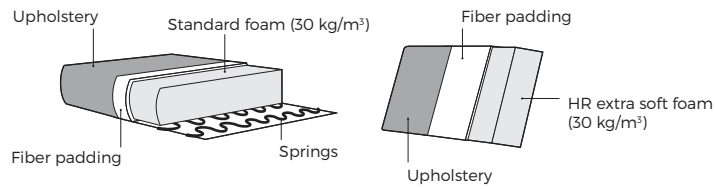


VILMERS

# Fifties



## Comfort



## 1. Upholstery



## 2. Legs

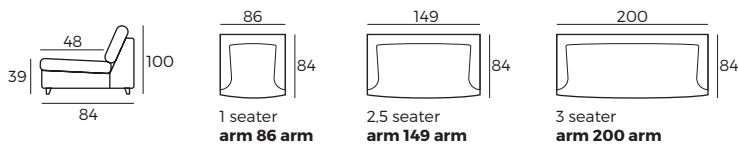


### IMPORTANT:

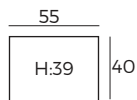
Upholstered furniture is handmade using soft materials therefore measurements may vary up to +/- 5 cm.

## Combinations

Scale 1:100



## Accessories



Footstool  
55x40

# Florida

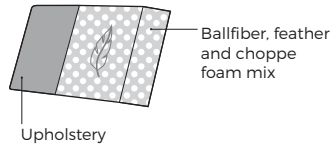
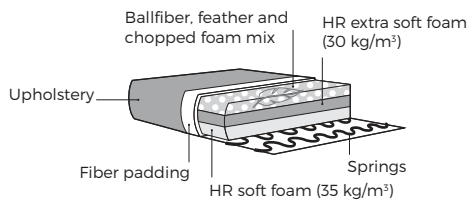


VILMERS

# Florida



## Comfort



## 1. Upholstery



Fabric

## 2. Legs

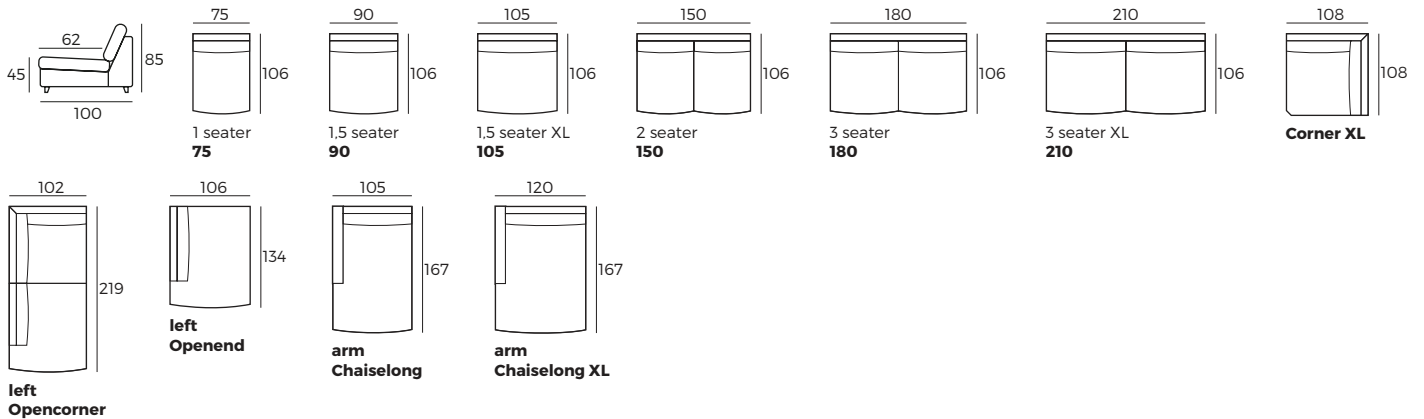


### IMPORTANT:

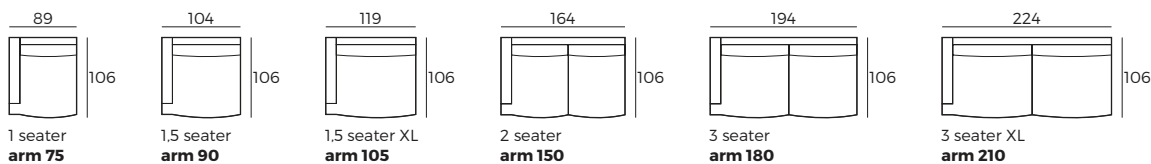
Upholstered furniture is handmade using soft materials therefore measurements may vary up to +/- 5 cm.  
Parts and sets shown in 2D drawings are left-sided. Parts and sets can be mirrored from left to right.

## Modules

Scale 1:100

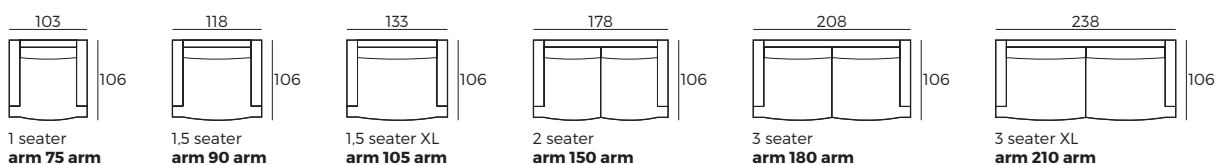


## Modules with armrest



## Combination

Scale 1:100

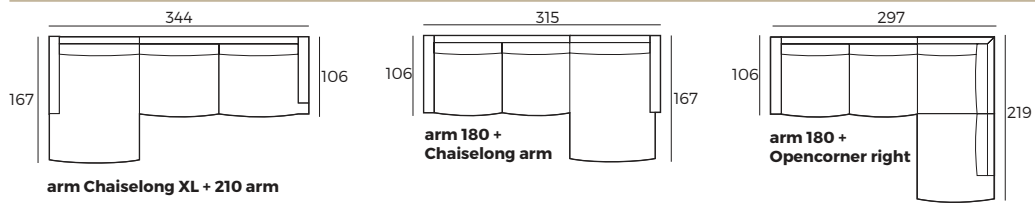




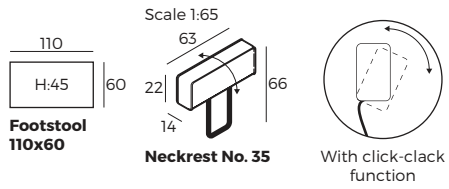
# Florida

## Combination

Scale 1:100



## Accessories



# Flyer

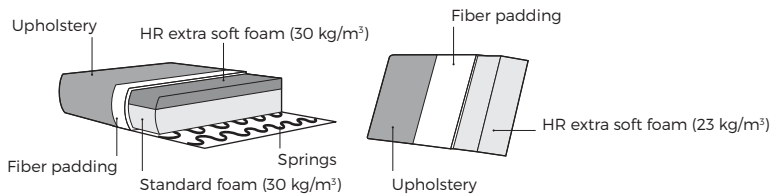


VILMERS

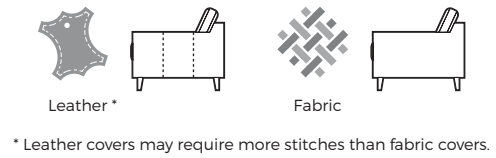
# Flyer



## Comfort



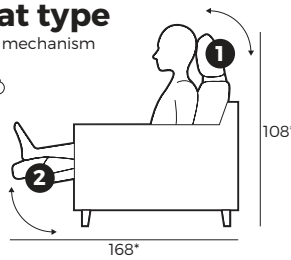
## 1. Upholstery



## 2. Headrest & seat type

\*Measures with fully opened mechanism

- 1 Manual ↶ / Electrical Ⓐ
- 2 Electrical Ⓐ



## 3. Armrest function



**Fully closed** W 11 x D 98 x H 66  
**Fully opened** W 23 x D 98 x H 51

## 4. Bi-Color option



## 5. Legs

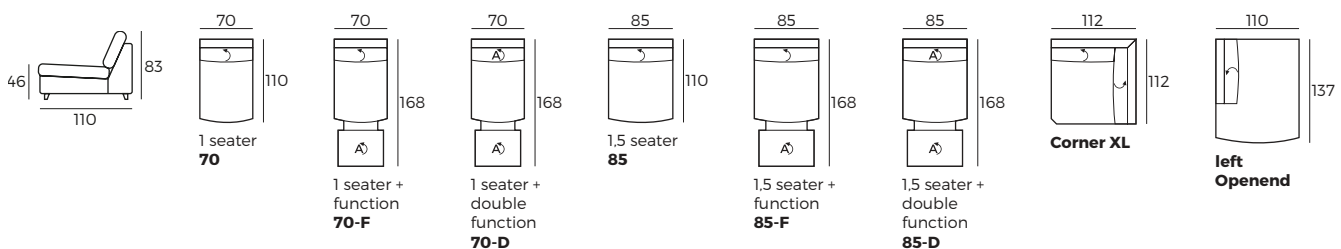


### IMPORTANT:

Upholstered furniture is handmade using soft materials therefore measurements may vary up to +/- 5 cm.  
 Parts and sets shown in 2D drawings are left-sided. Parts and sets can be mirrored from left to right.

## Modules (Measurements with fully opened armrest)

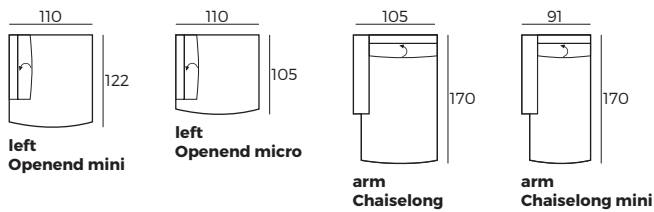
Scale 1:100



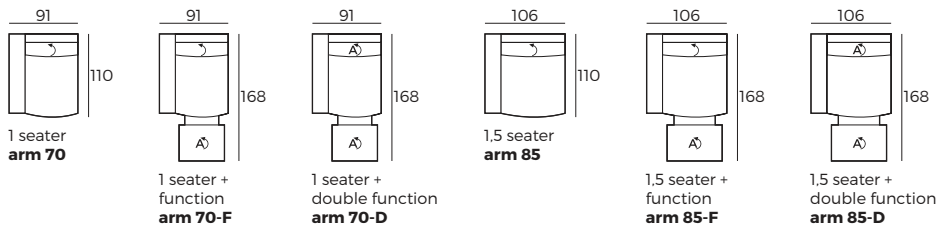
# Flyer

## Modules (Measurements with fully opened armrest)

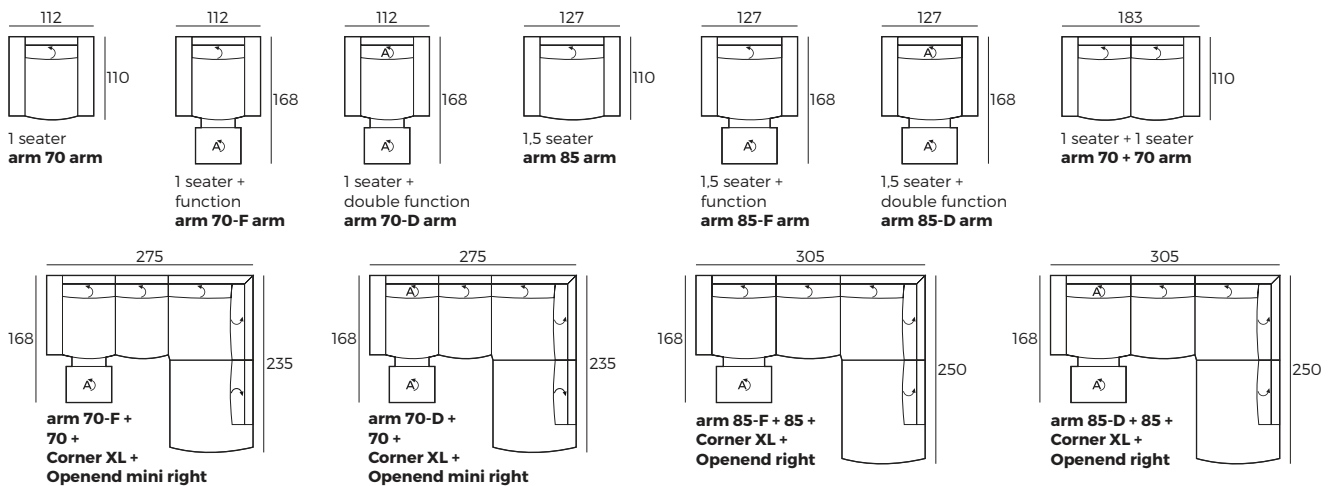
Scale 1:100



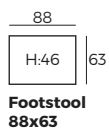
## Modules with armrest (Measurements with fully opened armrest)



## Combinations (Measurements with fully opened armrest)



## Accessories



⤴ - manual; Ⓐ - electrical \*F - single electric function; \*D - double electric function

# Folkland



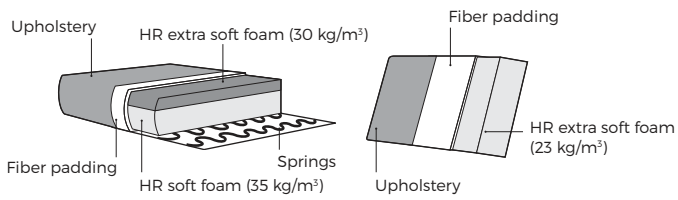
VILMERS



# Folkland



## Comfort



## 1. Upholstery



Fabric

## 2. Legs



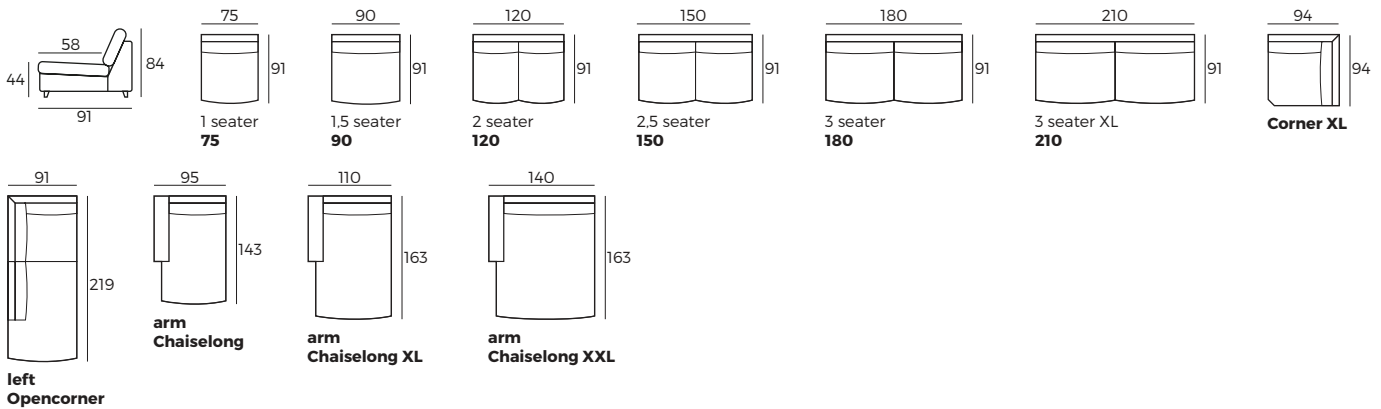
\*422 leg is for a footstool, when ordering together with a sofa featuring legs 460.

### IMPORTANT:

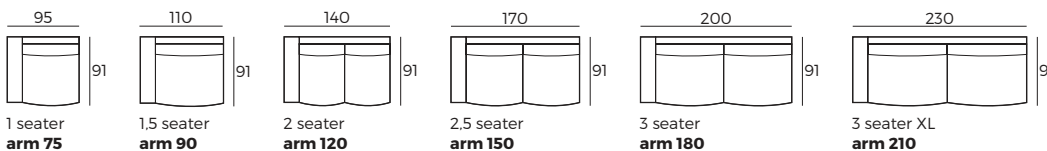
Upholstered furniture is handmade using soft materials therefore measurements may vary up to **+/- 5 cm**.  
Parts and sets shown in 2D drawings are left-sided. Parts and sets can be mirrored from left to right.

## Modules

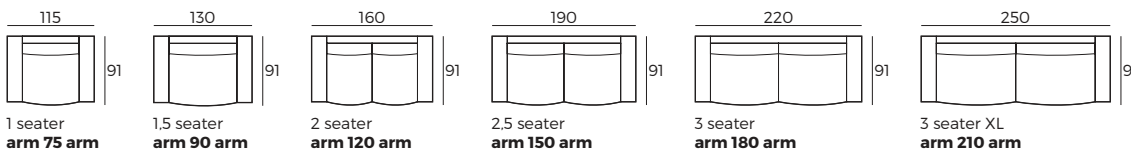
Scale 1:100



## Modules with armrest



## Combinations





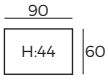
# Folkland

## Accessories

Scale 1:100



**Footstool  
75x75**



**Footstool  
90x60**

# Geronimo

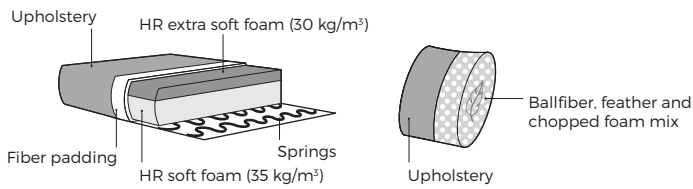


VILMERS

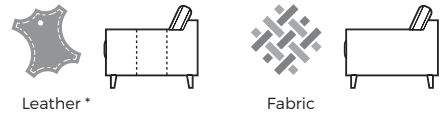
# Geronimo



## Comfort



## 1. Upholstery



\* Leather covers may require more stitches than fabric covers.

## 2. Choose design



With piping

With details

## 3. Legs

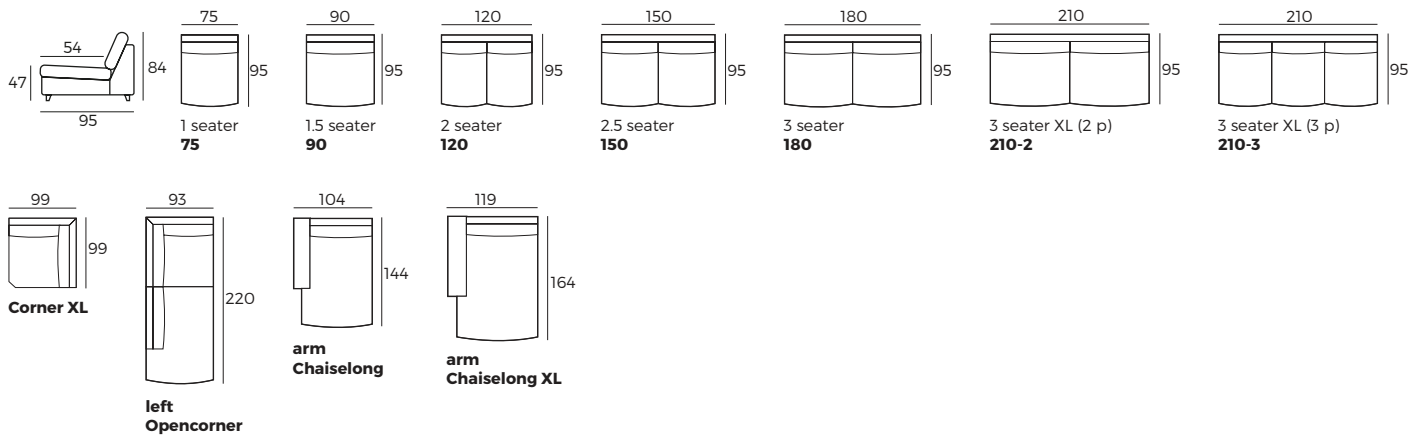


### IMPORTANT:

Upholstered furniture is handmade using soft materials therefore measurements may vary up to +/- 5 cm.  
Parts and sets shown in 2D drawings are left-sided. Parts and sets can be mirrored from left to right.

## Modules

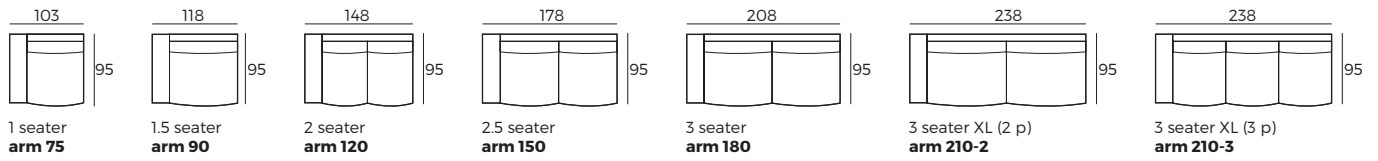
Scale 1:100



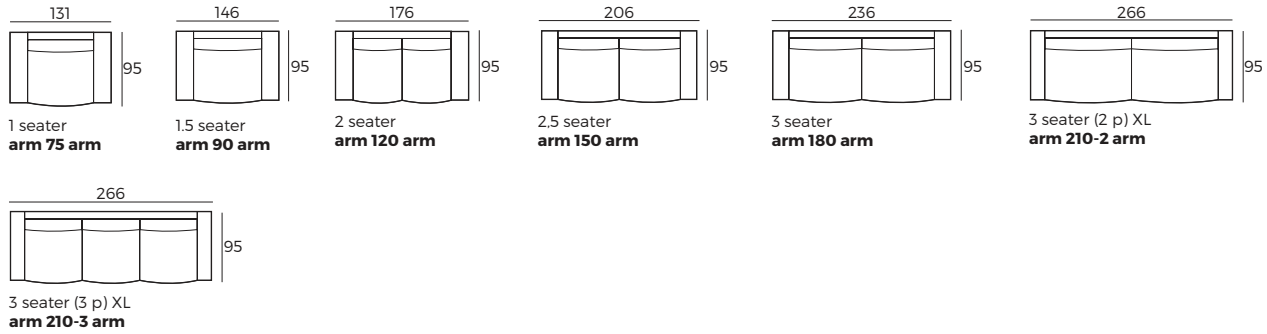
# Geronimo

## Modules with armrest

Scale 1:100

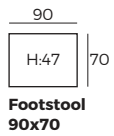


## Combinations



## Accessories

Scale 1:100



# Göteborg

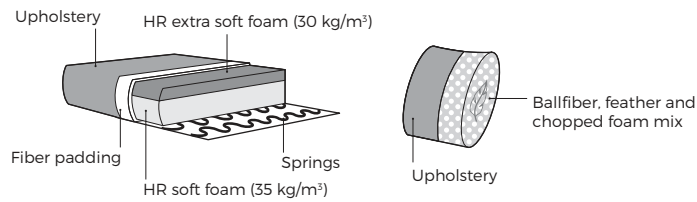


VILMERS

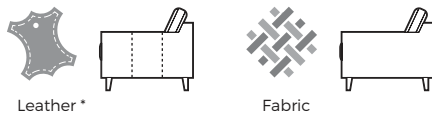
# Göteborg



## Comfort



## 1. Upholstery

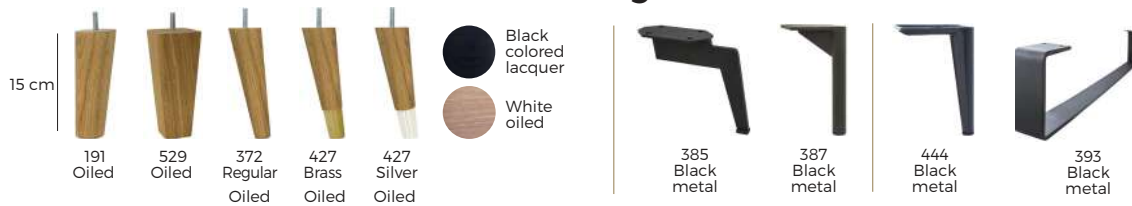


\* Leather covers may require more stitches than fabric covers.

## 2. Choose pillows



## 3. Legs

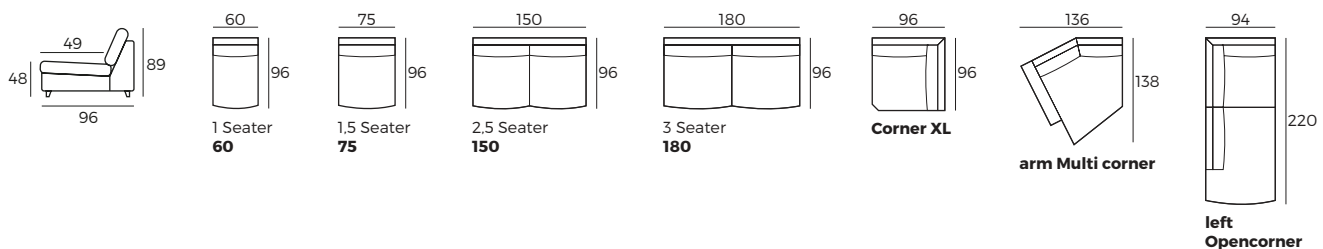


### IMPORTANT:

Upholstered furniture is handmade using soft materials therefore measurements may vary up to +/- 5 cm.  
Parts and sets shown in 2D drawings are left-sided. Parts and sets can be mirrored from left to right.

## Modules

Scale 1:100

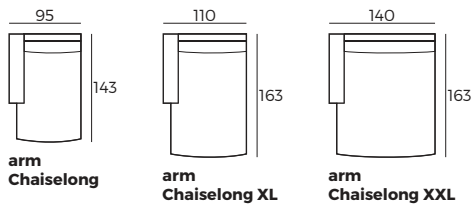




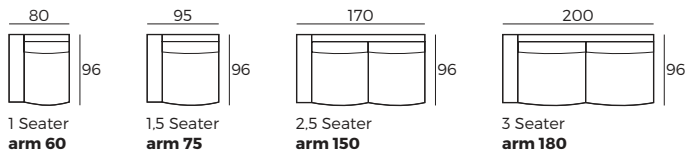
# Göteborg

Scale 1:100

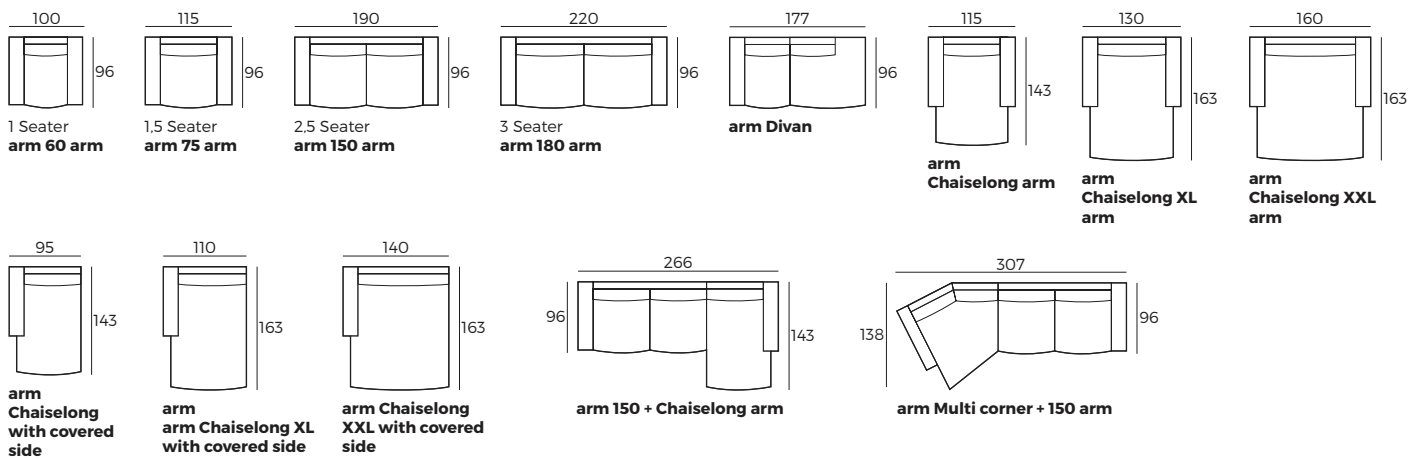
## Modules



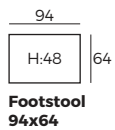
## Modules with armrest



## Combinations



## Accessories



# Gotland

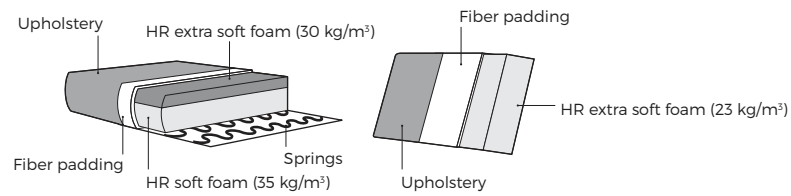


VILMERS

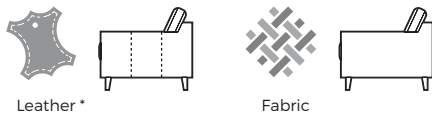
# Gotland



## Comfort

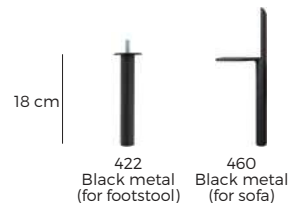


### 1. Upholstery



\* Leather covers may require more stitches than fabric covers.

### 2. Legs



### 3. Multicolor option

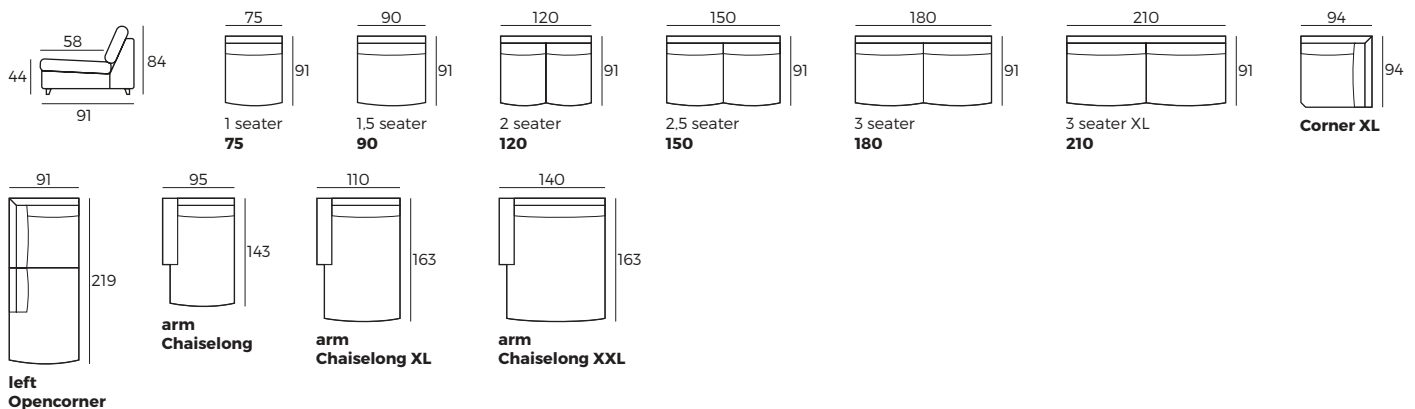


#### IMPORTANT:

Upholstered furniture is handmade using soft materials therefore measurements may vary up to +/- 5 cm.  
Parts and sets shown in 2D drawings are left-sided. Parts and sets can be mirrored from left to right.

## Modules

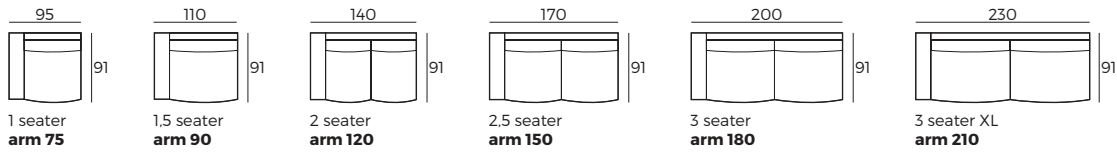
Scale 1:100



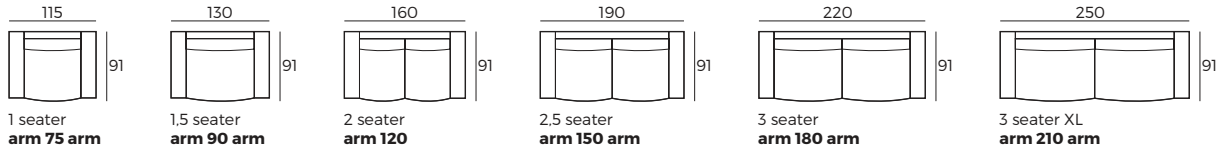
# Gotland

## Modules with armrest

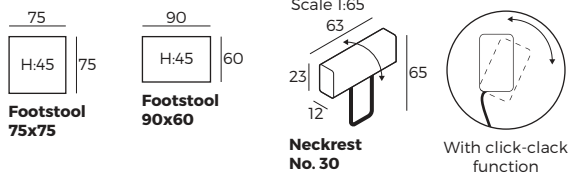
Scale 1:100



## Combinations



## Accessories



# Goya



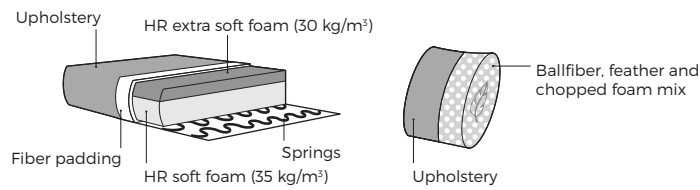
VILMERS



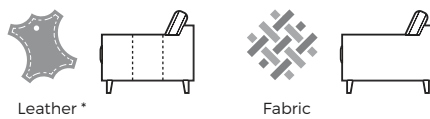
# Goya



## Comfort

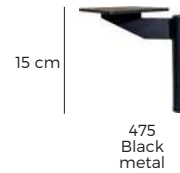


### 1. Upholstery



\* Leather covers may require more stitches than fabric covers.

### 2. Legs

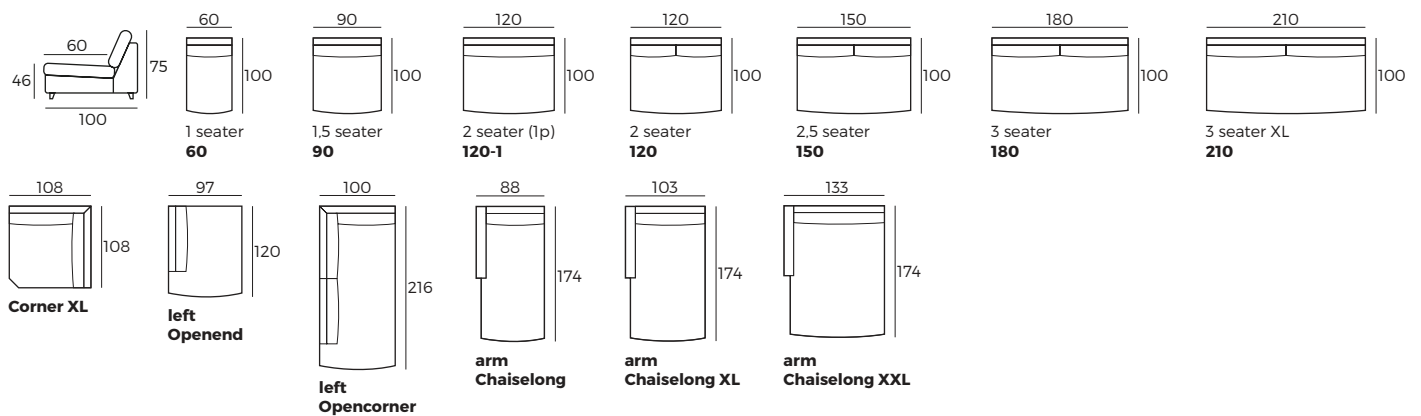


#### IMPORTANT:

Upholstered furniture is handmade using soft materials therefore measurements may vary up to +/- 5 cm.  
Parts and sets shown in 2D drawings are left-sided. Parts and sets can be mirrored from left to right.

## Modules

Scale 1:100

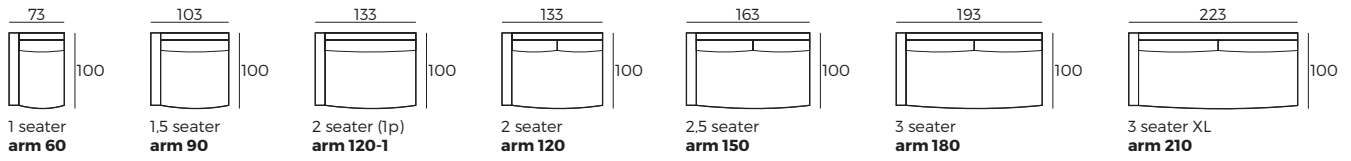




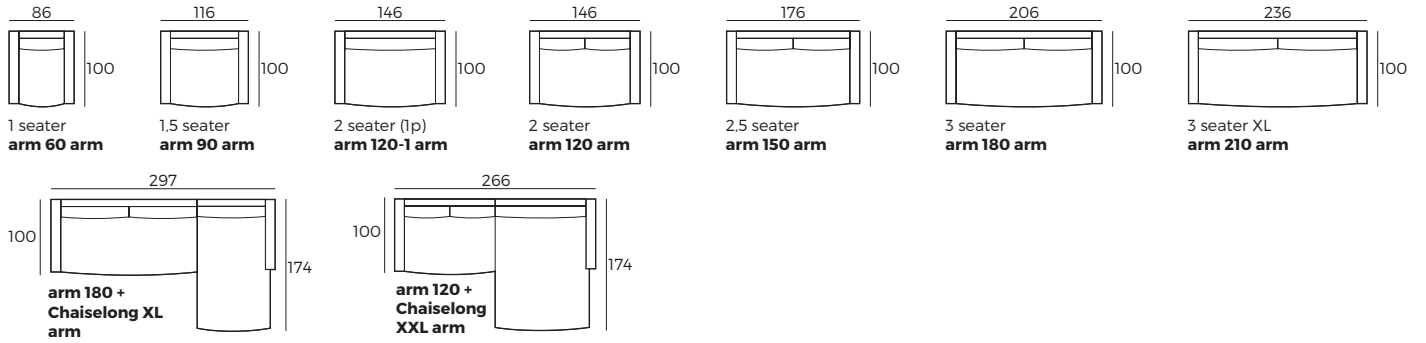
# Goya

## Modules with armrest

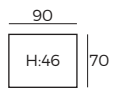
Scale 1:100



## Combinations



## Accessories



Footstool  
90x70

# Hammington

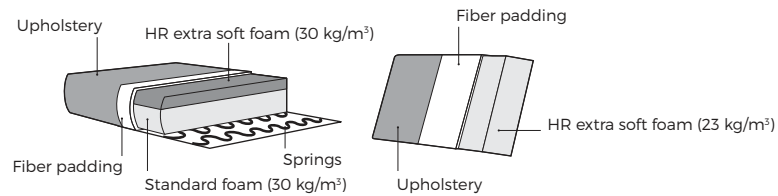


VILMERS

# Hammington



## Comfort



### 1. Upholstery

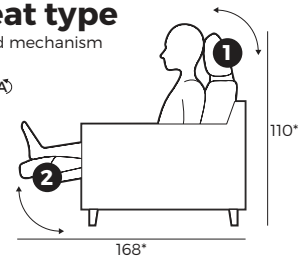


\* Leather covers may require more stitches than fabric covers.

### 2. Headrest & seat type

\*Measures with fully opened mechanism

- 1 Manual ↶ / Electrical Ⓐ
- 2 Electrical Ⓐ



### 3. Armrest function



**Fully closed** W 11 x D 98 x H 66  
**Fully opened** W 23 x D 98 x H 51

### 4. Multicolor option



### 5. Legs

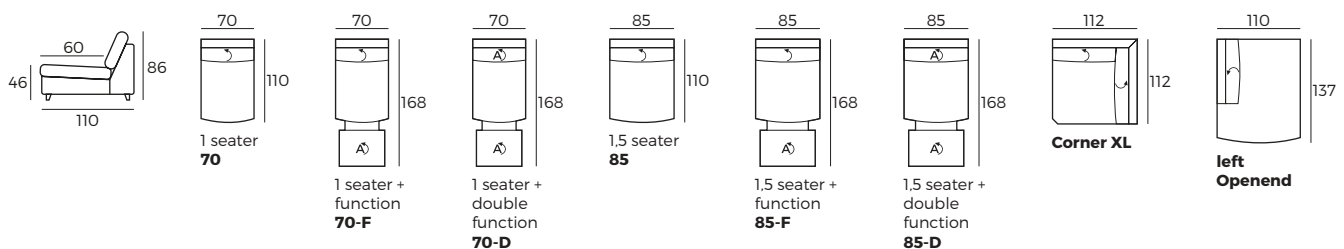


#### IMPORTANT:

Upholstered furniture is handmade using soft materials therefore measurements may vary up to +/- 5 cm.  
 Parts and sets shown in 2D drawings are left-sided. Parts and sets can be mirrored from left to right.

## Modules (Measurements with fully opened armrest)

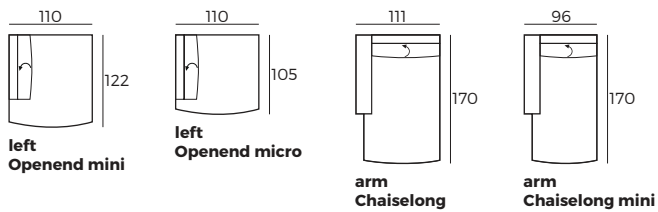
Scale 1:100



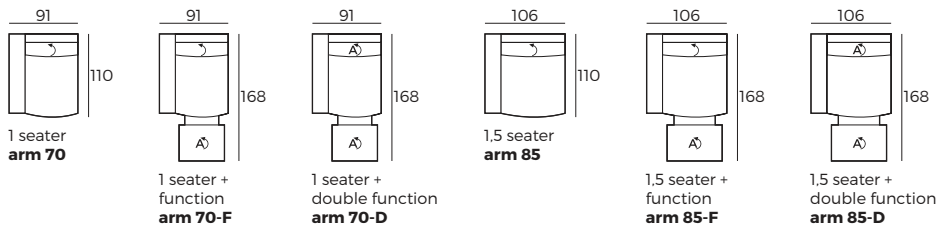
# Hammington

## Modules (Measurements with fully opened armrest)

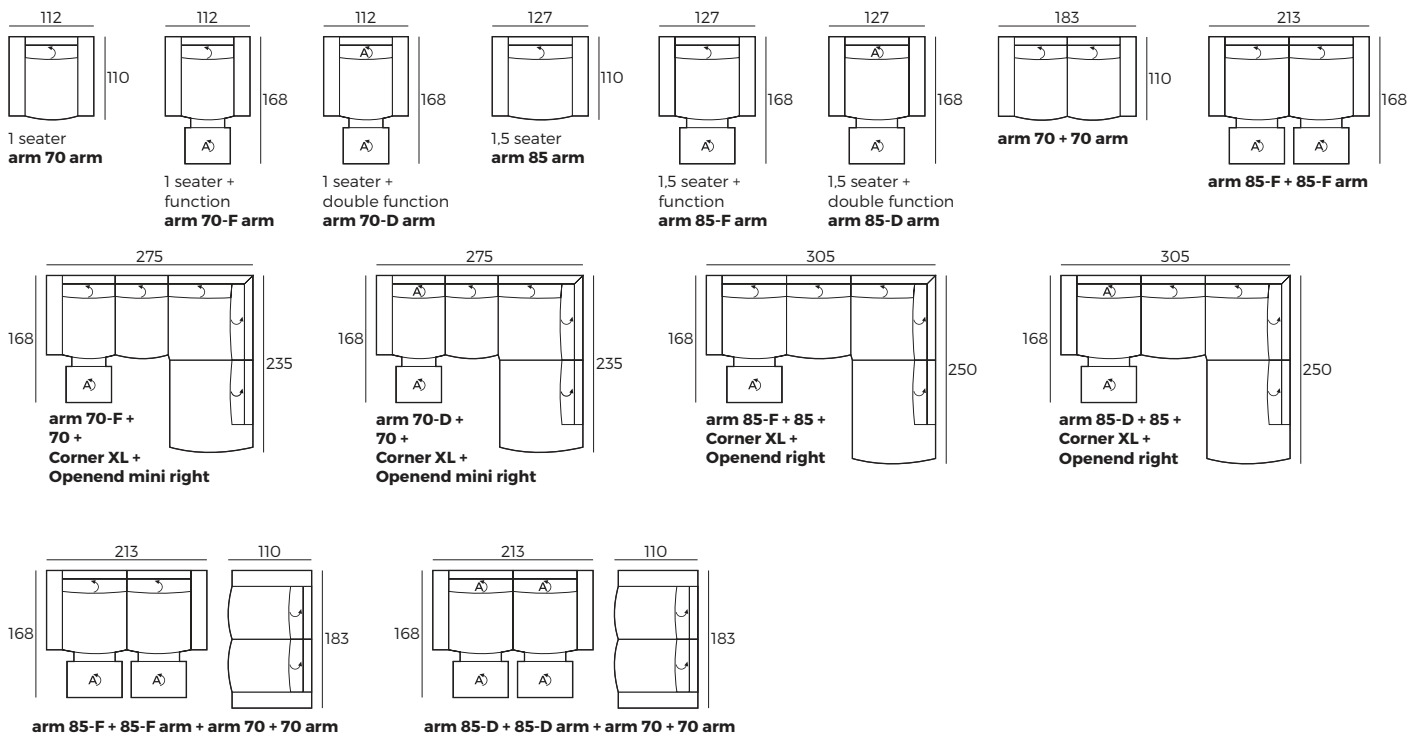
Scale 1:100



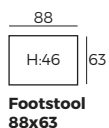
## Modules with armrest (Measurements with fully opened armrest)



## Combinations (Measurements with fully opened armrest)



## Accessories



⌋ - manual; Ⓐ - electrical; \*F - single electric function; \*D - double electric function

# Hanna



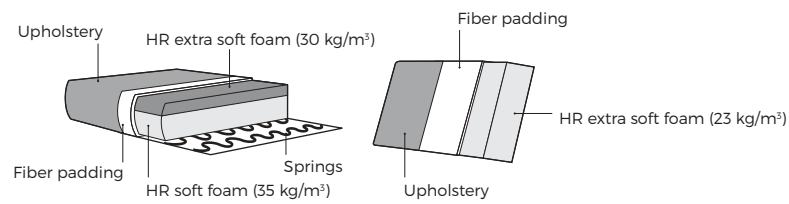
VILMERS



# Hanna



## Comfort



## 1. Upholstery



## 2. Legs

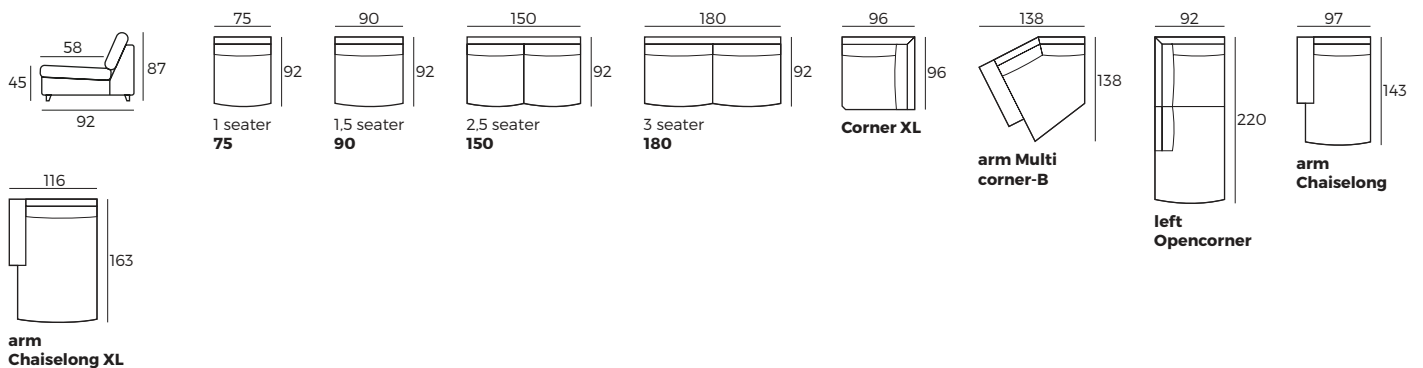


### IMPORTANT:

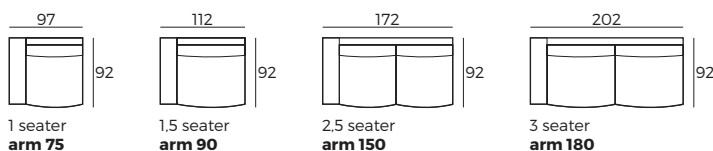
Upholstered furniture is handmade using soft materials therefore measurements may vary up to +/- 5 cm.  
Parts and sets shown in 2D drawings are left-sided. Parts and sets can be mirrored from left to right.

## Modules

Scale 1:100



## Modules with armrest

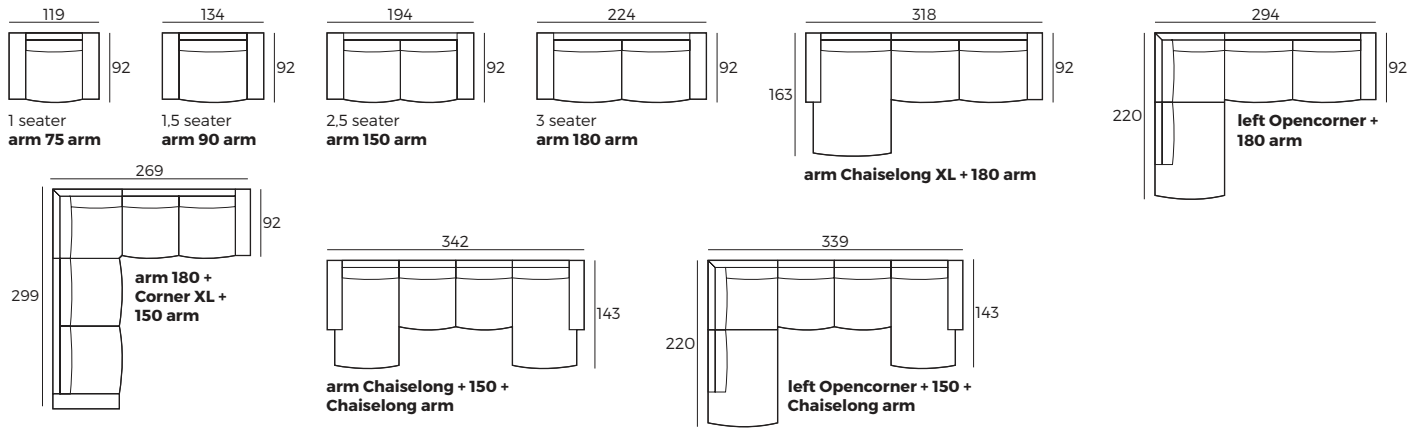




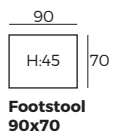
# Hanna

## Combinations

Scale 1:100



## Accessories



# Hedy

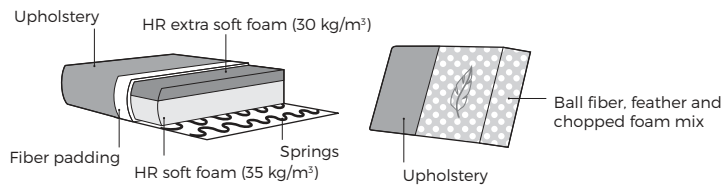


VILMERS

# Hedy



## Comfort



## 1. Upholstery



Fabric

## 2. Armrests



**Covy**

W 21 x D 99 x H 63

**Flaty**

W 14 x D 99 x H 63

**Hedy**

W 25 x D 99 x H 63

## 3. Legs

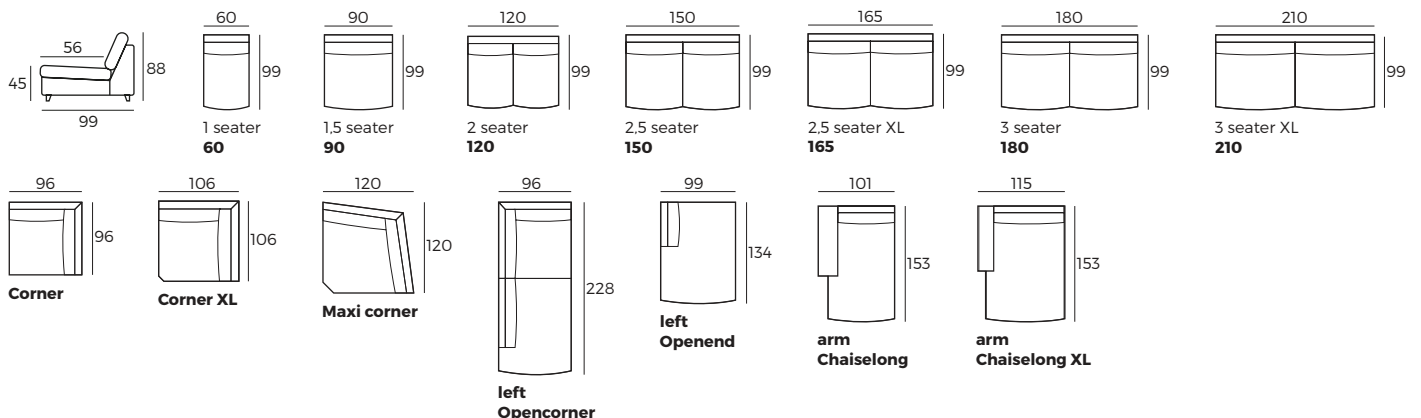


### IMPORTANT:

Upholstered furniture is handmade using soft materials therefore measurements may vary up to +/- 5 cm.  
Parts and sets shown in 2D drawings are left-sided. Parts and sets can be mirrored from left to right.

## Modules (Measurements with Hedy armrest)

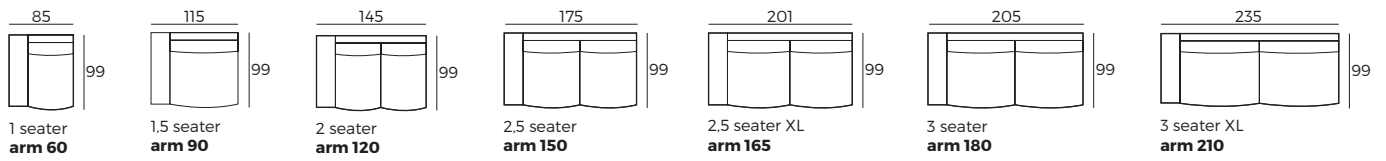
Scale 1:100



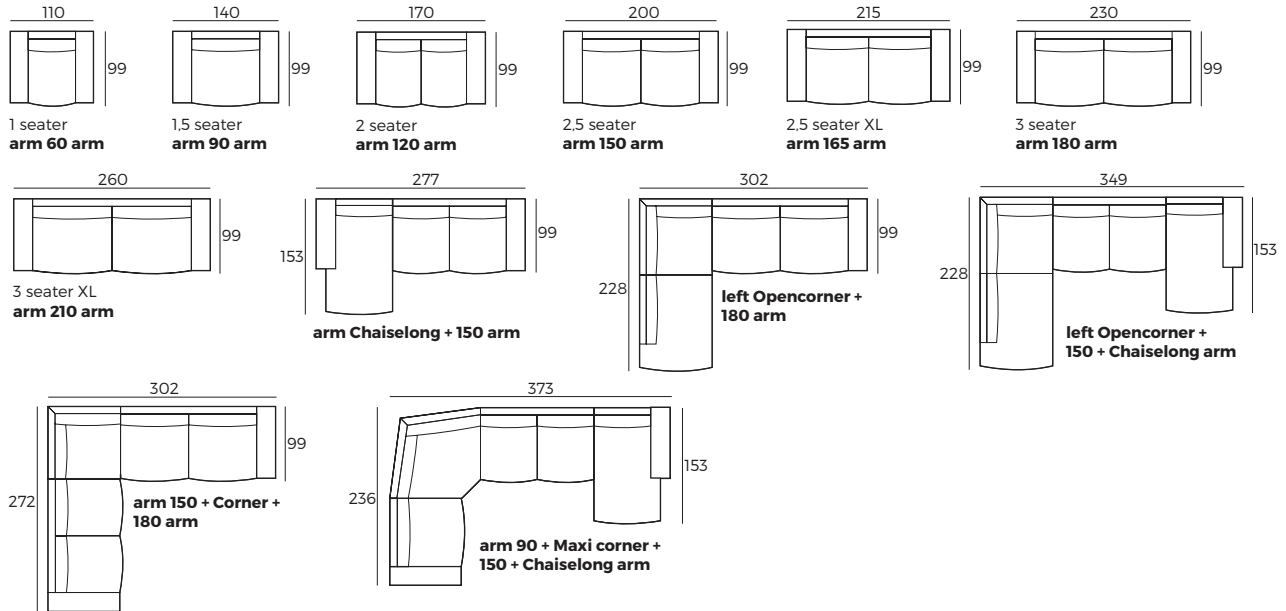
# Hedy

## Modules with armrest (Measurements with Hedy armrest)

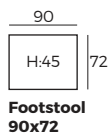
Scale 1:100



## Combinations (Measurements with Hedy armrest)



## Accessories



# Helena



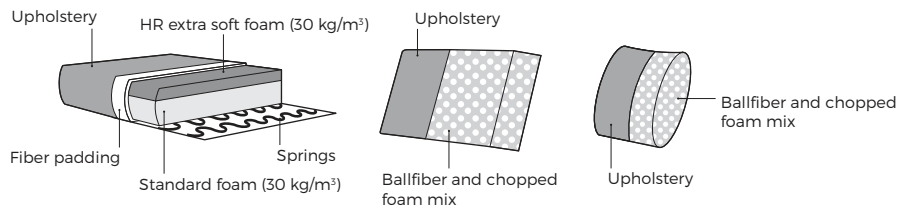
VILMERS



# Helena



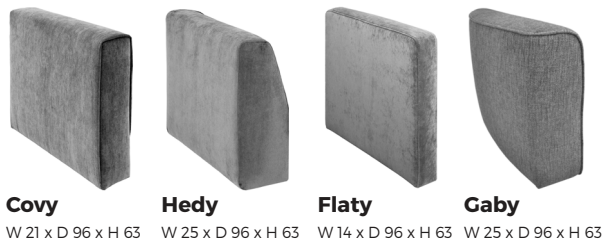
## Comfort



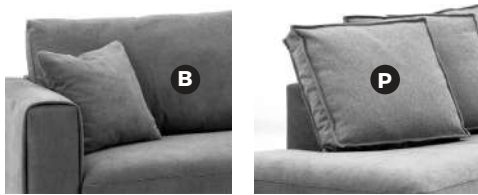
## 1. Upholstery



## 2. Armrests



## 3. Choose pillows



\* Only fabric option for this pillow.

## 4. Legs

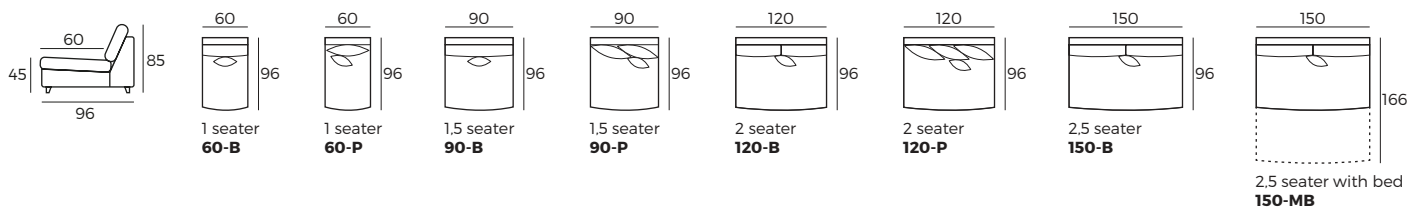


### IMPORTANT:

Upholstered furniture is handmade using soft materials therefore measurements may vary up to +/- 5 cm.  
 Parts and sets shown in 2D drawings are left-sided. Parts and sets can be mirrored from left to right.

## Modules (Measurements with Hedy armrest)

Scale 1:100

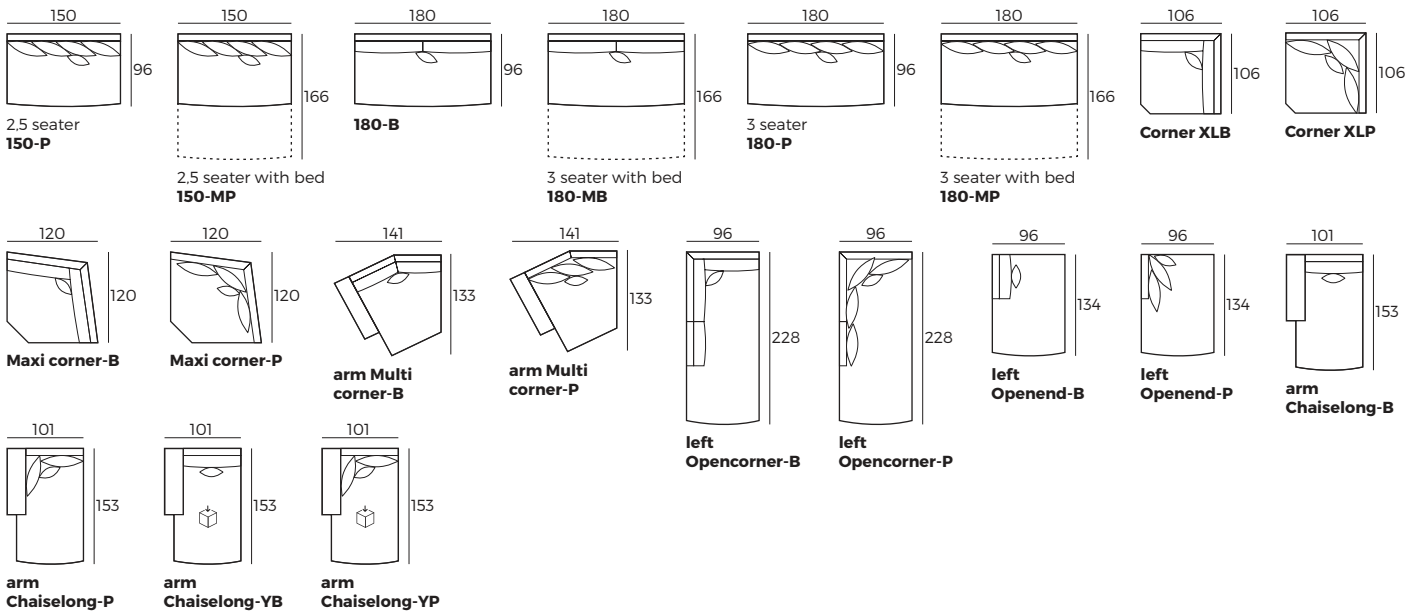




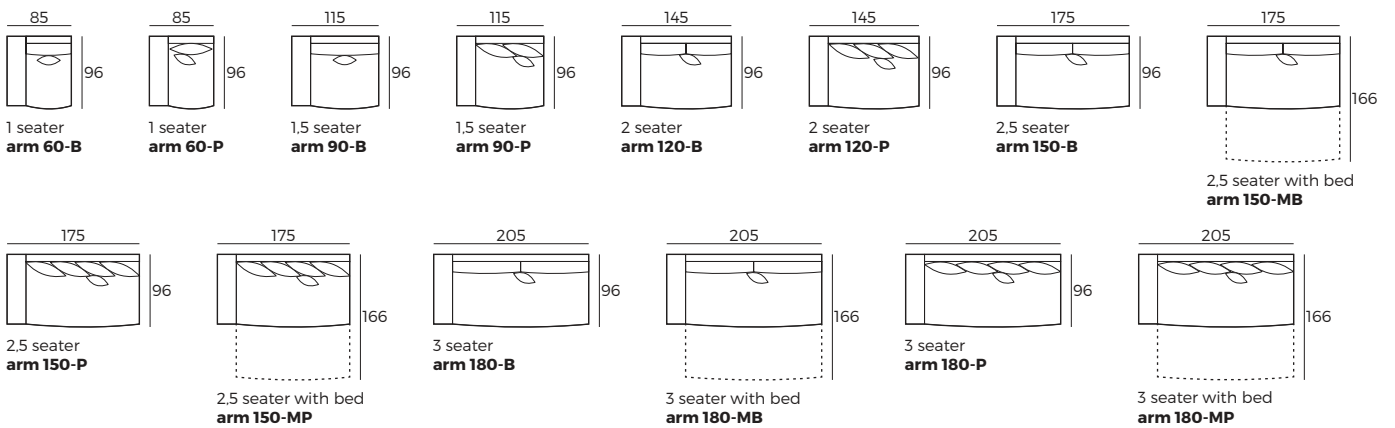
# Helena

## Modules (Measurements with Hedy armrest)

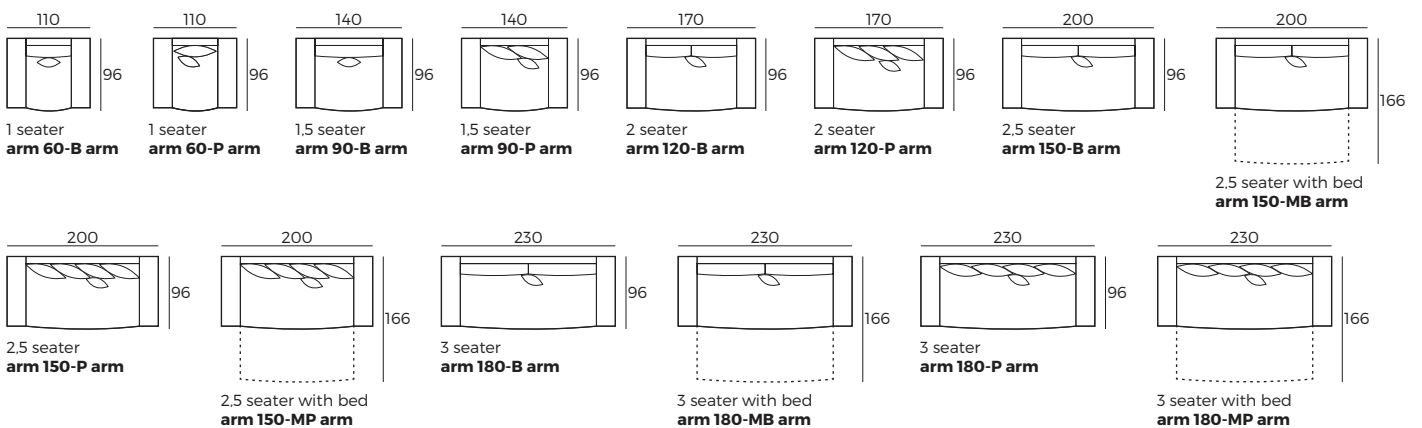
Scale 1:100



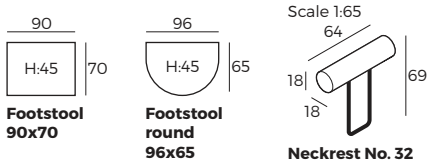
## Modules with armrest (Measurements with Hedy armrest)



## Combinations (Measurements with Hedy armrest)



## Accessories



# Inga

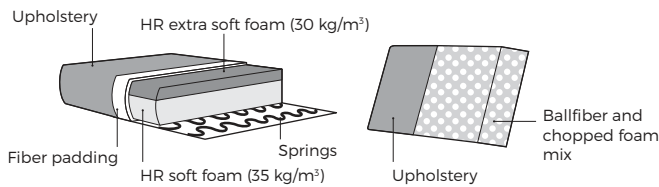


VILMERS

# Inga



## Comfort



## 1. Upholstery



## 2. Armrests



**1** W 18 x D 90 x H 54  
**2** W 19 x D 90 x H 54  
**3** W 17 x D 90 x H 54

## 3. Legs

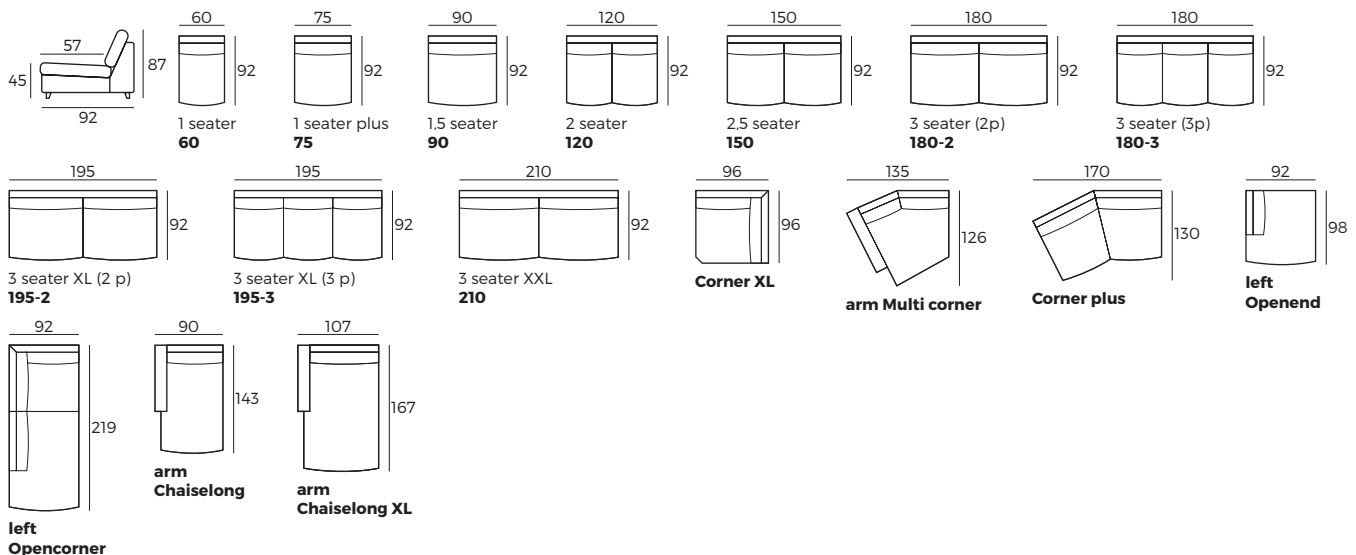


### IMPORTANT:

Upholstered furniture is handmade using soft materials therefore measurements may vary up to +/- 5 cm.  
 Parts and sets shown in 2D drawings are left-sided. Parts and sets can be mirrored from left to right.

## Modules (Measurements with 3 armrest)

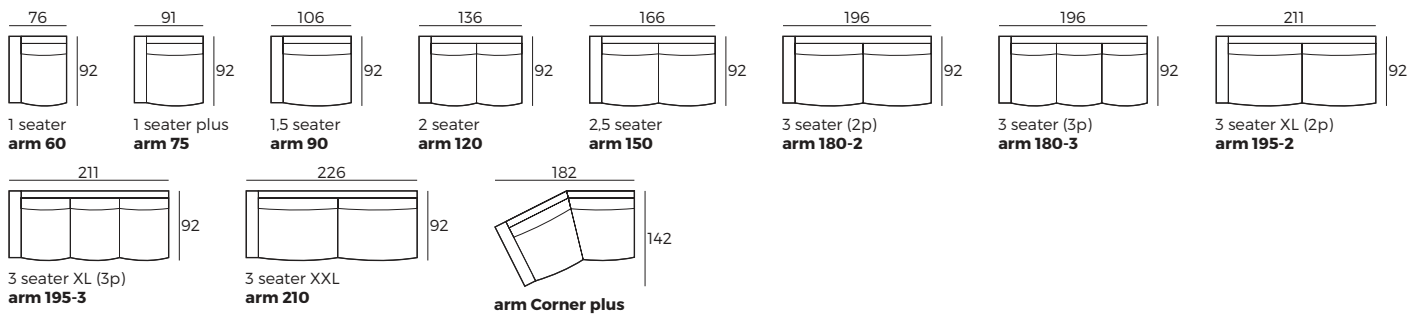
Scale 1:100



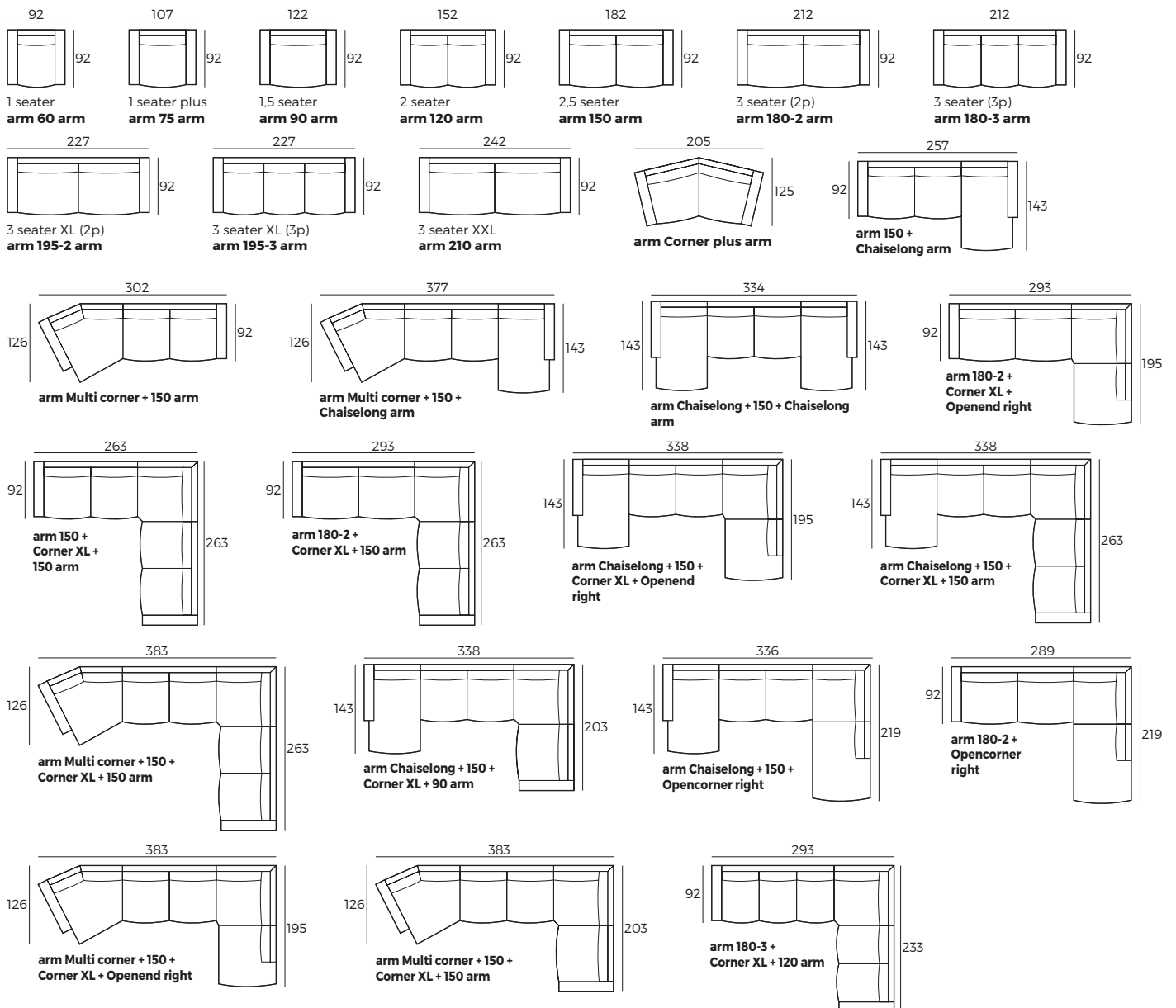
# Inga

## Modules with armrest (Measurements with 3 armrest)

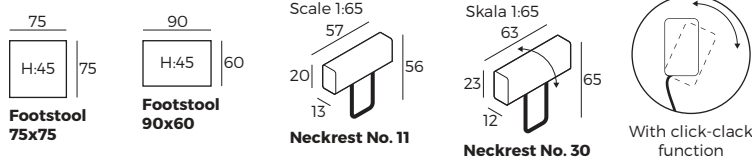
Scale 1:100



## Combinations (Measurements with 3 armrest)



## Accessories





# Joana

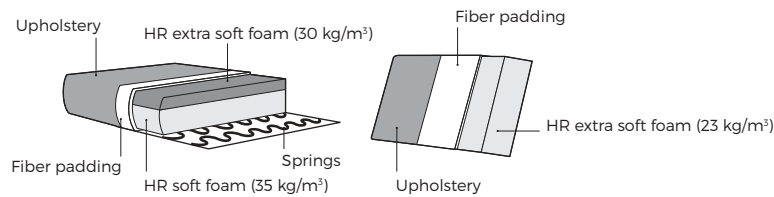


VILMERS

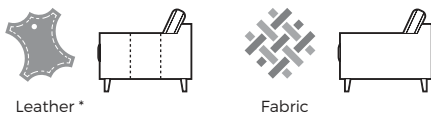
# Joana



## Comfort



### 1. Upholstery

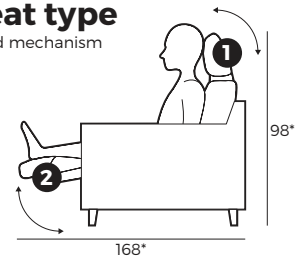


\* Leather covers may require more stitches than fabric covers.

### 2. Headrest & seat type

\* Measures with fully opened mechanism

- 1 Manual ↷
- 2 Electrical ⚡



### 3. Armrest



**A Fully closed**  
W 11 x D 98 x H 66

**A Fully opened**  
W 23 x D 98 x H 51



**B Fully closed**  
W 11 x D 98 x H 66

**B Fully opened**  
W 23 x D 98 x H 51

### 4. Legs

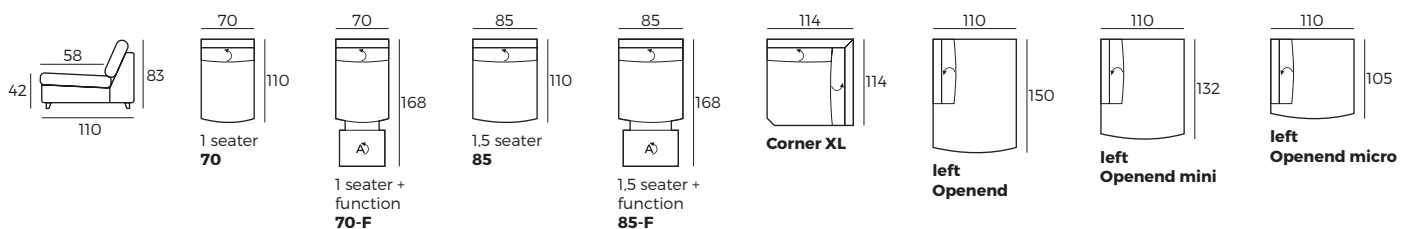


#### IMPORTANT:

Upholstered furniture is handmade using soft materials therefore measurements may vary up to +/- 5 cm.  
Parts and sets shown in 2D drawings are left-sided. Parts and sets can be mirrored from left to right.

## Modules (Measurements with fully opened armrest)

Scale 1:100

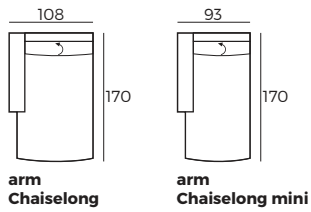




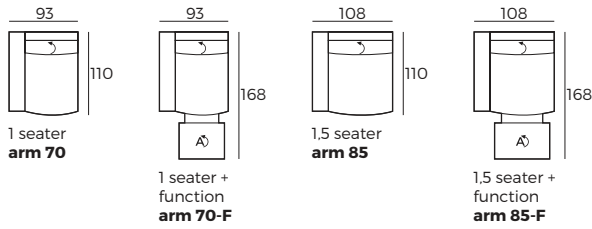
# Joana

## Modules (Measurements with fully opened armrest)

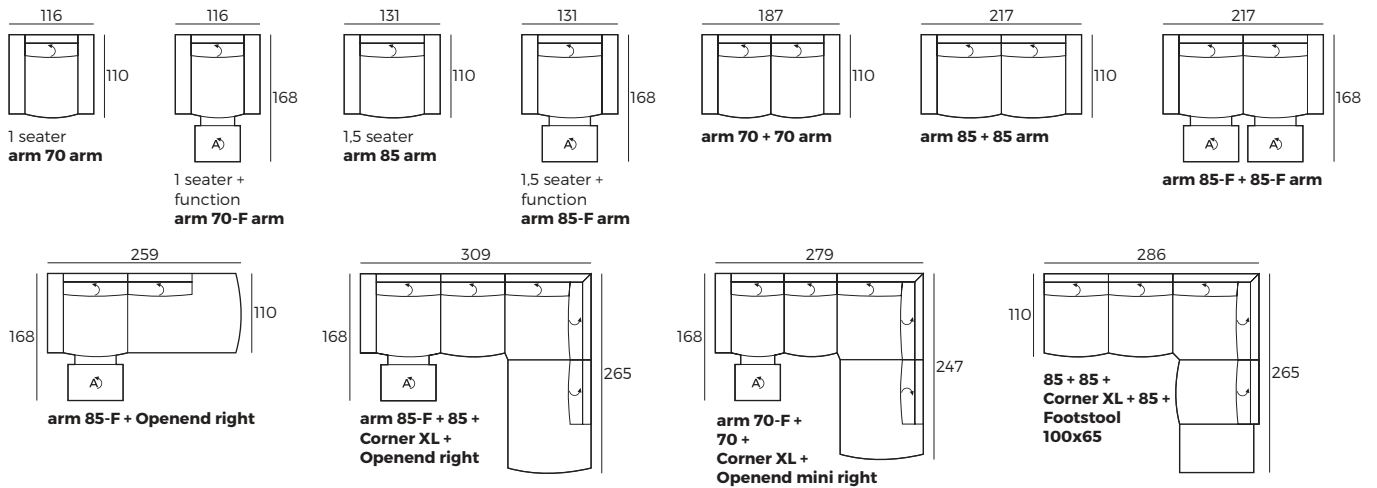
Scale 1:100



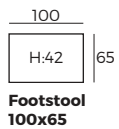
## Modules with armrest (Measurements with fully opened armrest)



## Combinations (Measurements with fully opened armrest)



## Accessories



⌋ - manual; ⌋ - electrical    \*F - single electric function

# Jumbo

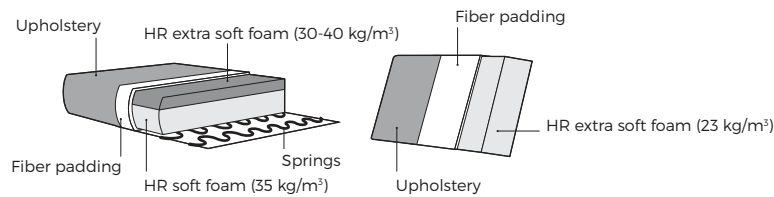


VILMERS

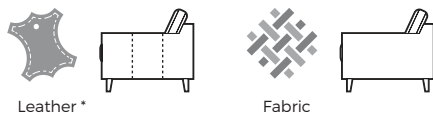
# Jumbo



## Comfort



### 1. Upholstery

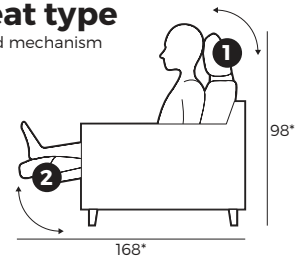


\* Leather covers may require more stitches than fabric covers.

### 2. Headrest & seat type

\*Measures with fully opened mechanism

- 1 Manual ↶
- 2 Electrical ⚡



### 3. Armrest



**Fully closed**  
W 11 x D 98 x H 66

**Fully opened**  
W 23 x D 98 x H 51

### 4. Legs

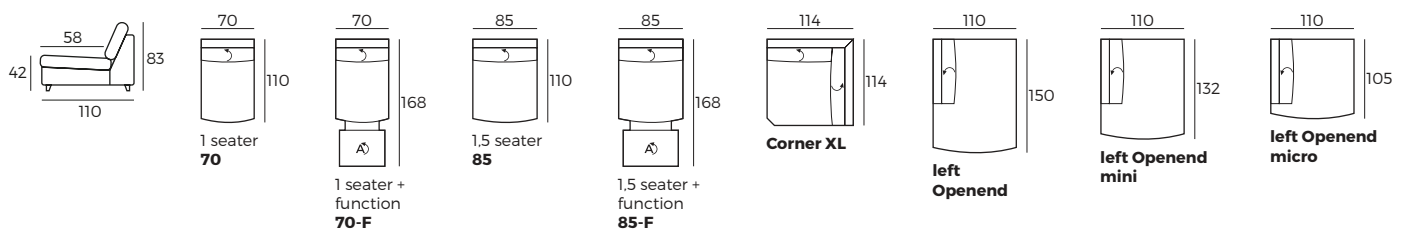


#### IMPORTANT:

Upholstered furniture is handmade using soft materials therefore measurements may vary up to +/- 5 cm.  
Parts and sets shown in 2D drawings are left-sided. Parts and sets can be mirrored from left to right.

## Modules (Measurements with fully opened armrest)

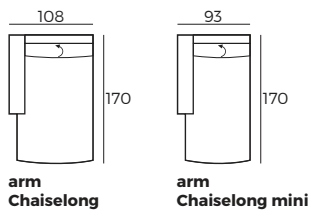
Scale 1:100



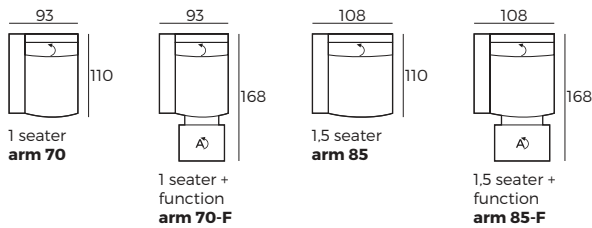
# Jumbo

## Modules (Measurements with fully opened armrest)

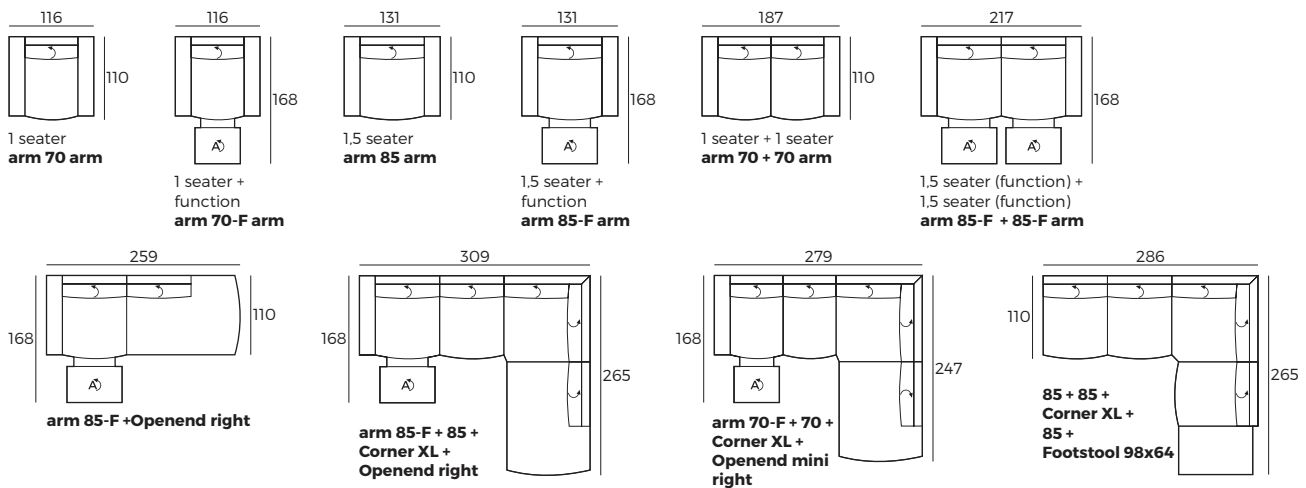
Scale 1:100



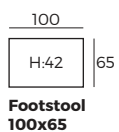
## Modules with armrest (Measurements with fully opened armrest)



## Combinations (Measurements with fully opened armrest)



## Accessories



⌋ - manual; ⚡ - electrical \*F - single electric function

# Largo

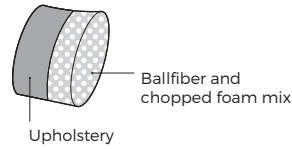
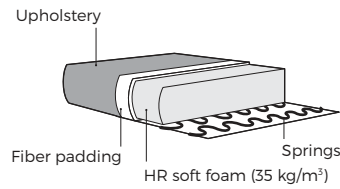


VILMERS

# Largo



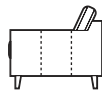
## Comfort



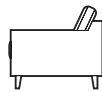
### 1. Upholstery



Leather\*



Fabric

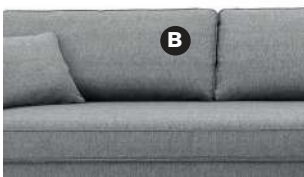


\* Leather covers may require more stitches than fabric covers.

### 2. Multicolor Option



### 3. Choose pillows

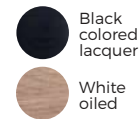


Pillow **B**



Pillow **P**

### 4. Legs



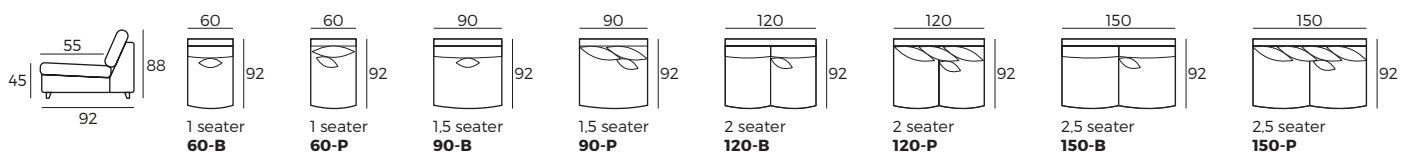
433 Metal

#### IMPORTANT:

Upholstered furniture is handmade using soft materials therefore measurements may vary up to +/- 5 cm.  
Parts and sets shown in 2D drawings are left-sided. Parts and sets can be mirrored from left to right.

## Modules

Scale 1:100

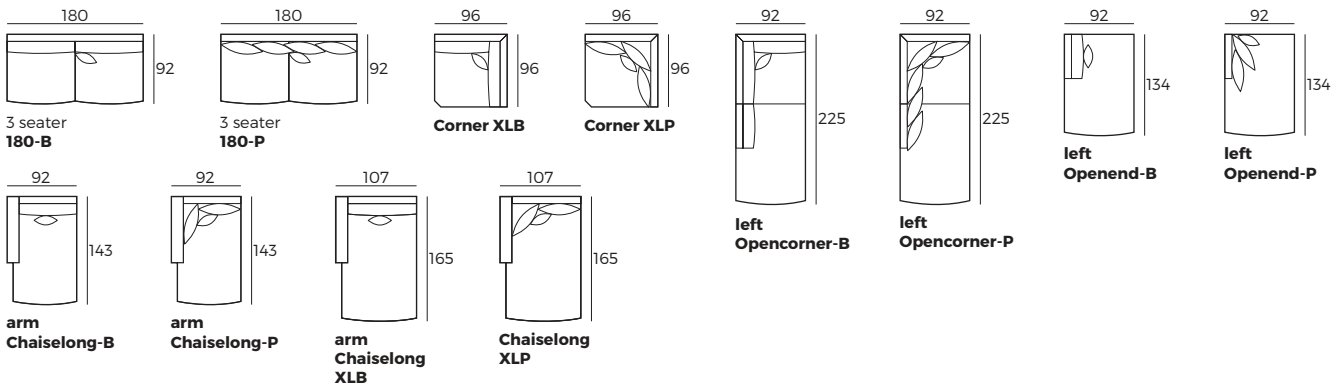




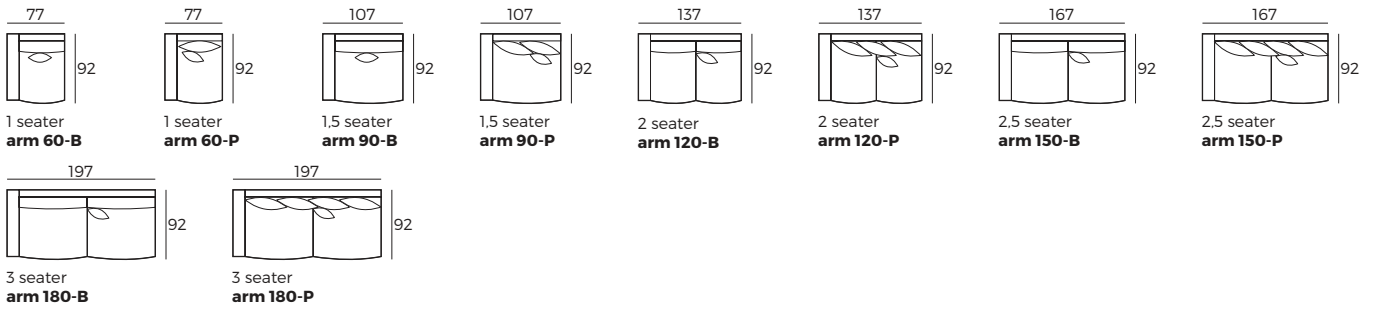
# Largo

Scale 1:100

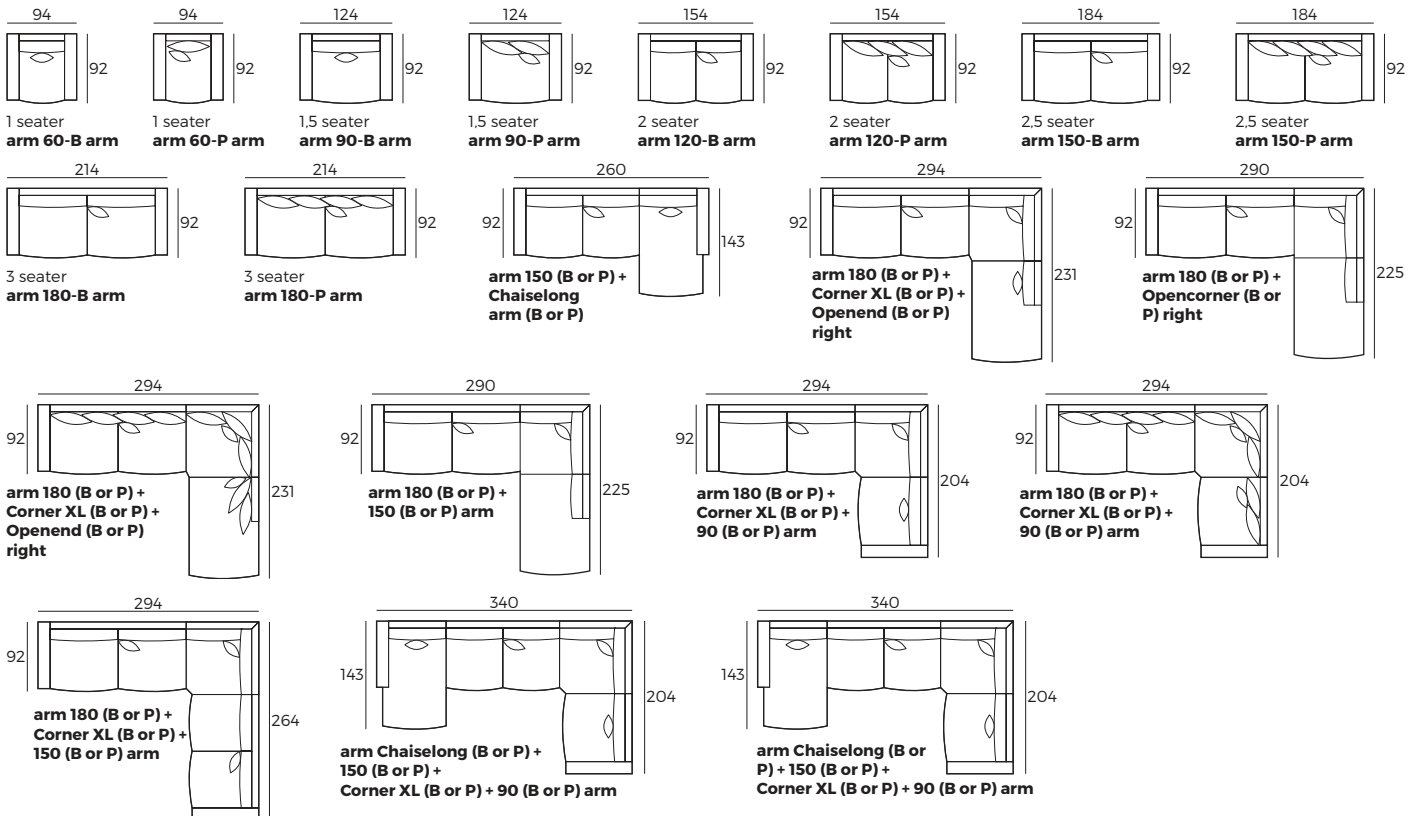
## Modules



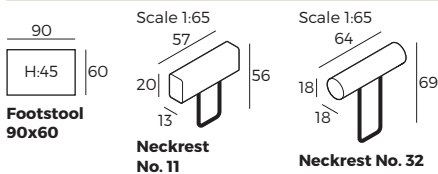
## Modules with armrest



## Combination



## Accessories



# Larvik



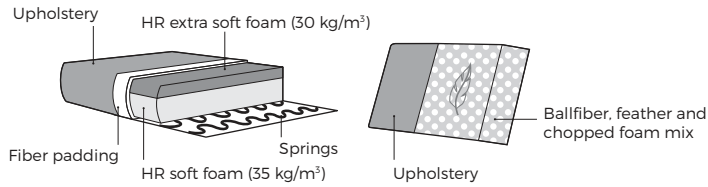
VILMERS



# Larvik



## Comfort



## 1. Upholstery



Fabric

## 2. Armrests



**Omega\***  
W 3 x D 96 x H 65



**Blow**  
W 32 x D 105 x H 56

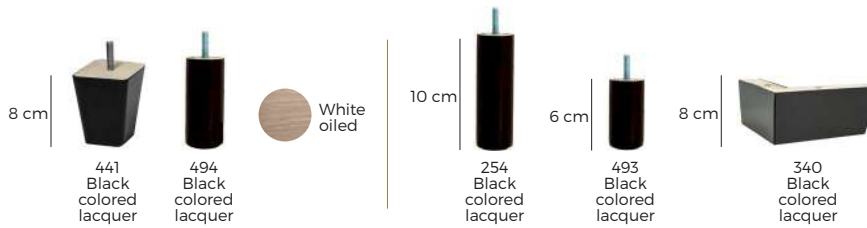


**Street**  
W 25 x D 105 x H 56



**Bento**  
W 21 x D 105 x H 56

## 3. Legs

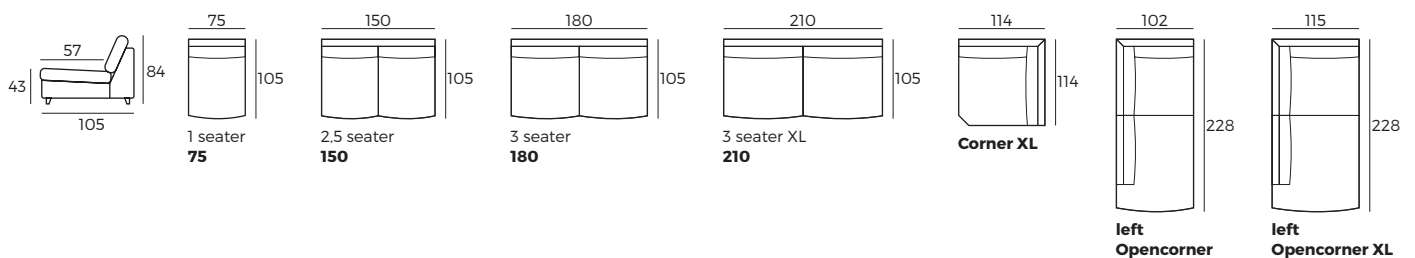


### IMPORTANT:

Upholstered furniture is handmade using soft materials therefore measurements may vary up to +/- 5 cm.  
Parts and sets shown in 2D drawings are left-sided. Parts and sets can be mirrored from left to right.  
For an additional fee, the sides of each individual part can be covered in fabric.

## Modules (Measurements with Street armrest)

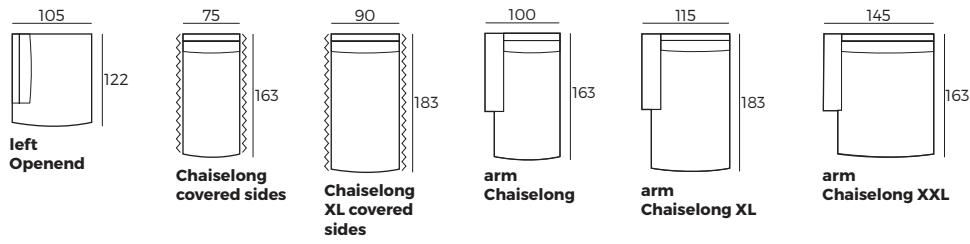
Scale 1:100



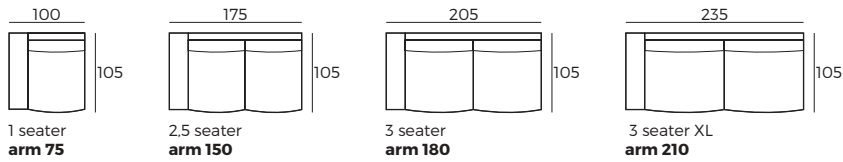
# Larvik

## Modules (Measurements with Street armrest)

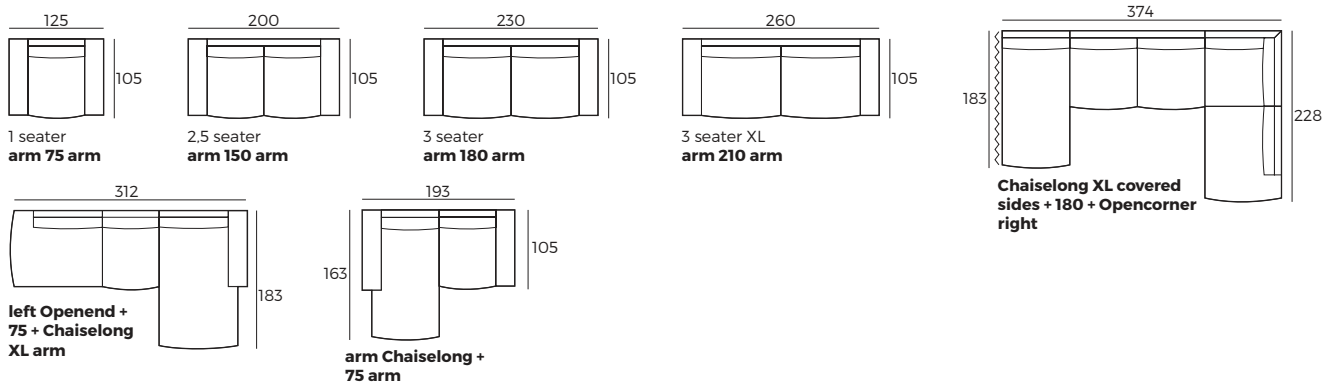
Scale 1:100



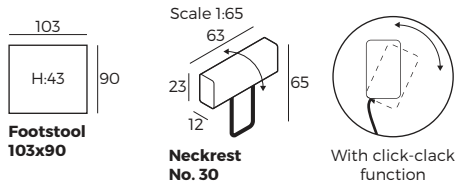
## Modules with armrest (Measurements with Street)



## Combinations (Measurements with Street armrest)



## Accessories



# Laure



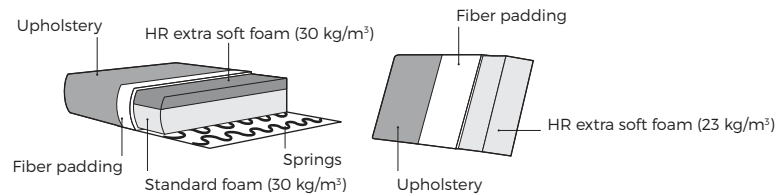
VILMERS



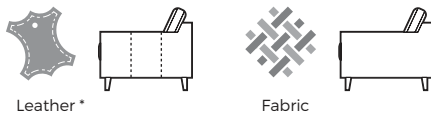
# Laure



## Comfort



## 1. Upholstery

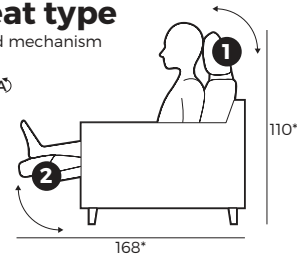


\* Leather covers may require more stitches than fabric covers.

## 2. Headrest & seat type

\*Measures with fully opened mechanism

- 1 Manual ↶ / Electrical ↷
- 2 Electrical ↷



## 3. Bi-Color option



## 4. Legs

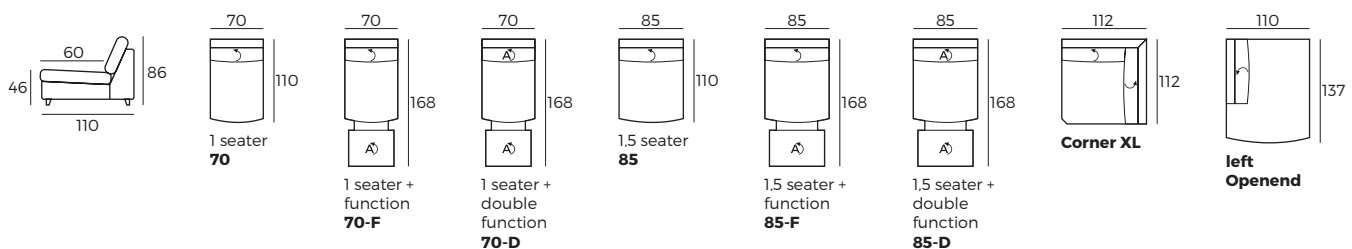


### IMPORTANT:

Upholstered furniture is handmade using soft materials therefore measurements may vary up to +/- 5 cm.  
Parts and sets shown in 2D drawings are left-sided. Parts and sets can be mirrored from left to right.

## Modules

Scale 1:100



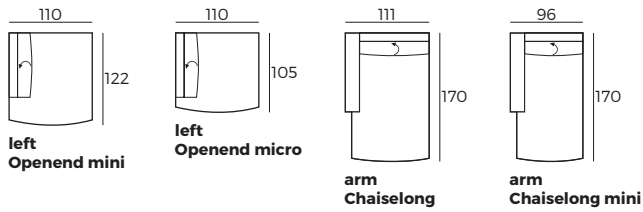
REST ASSURED  
vilmers.com



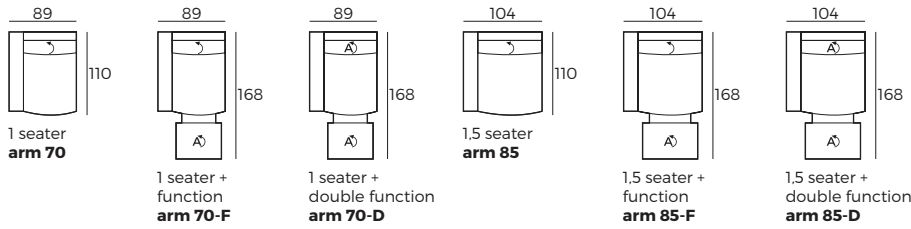
# Laure

Scale 1:100

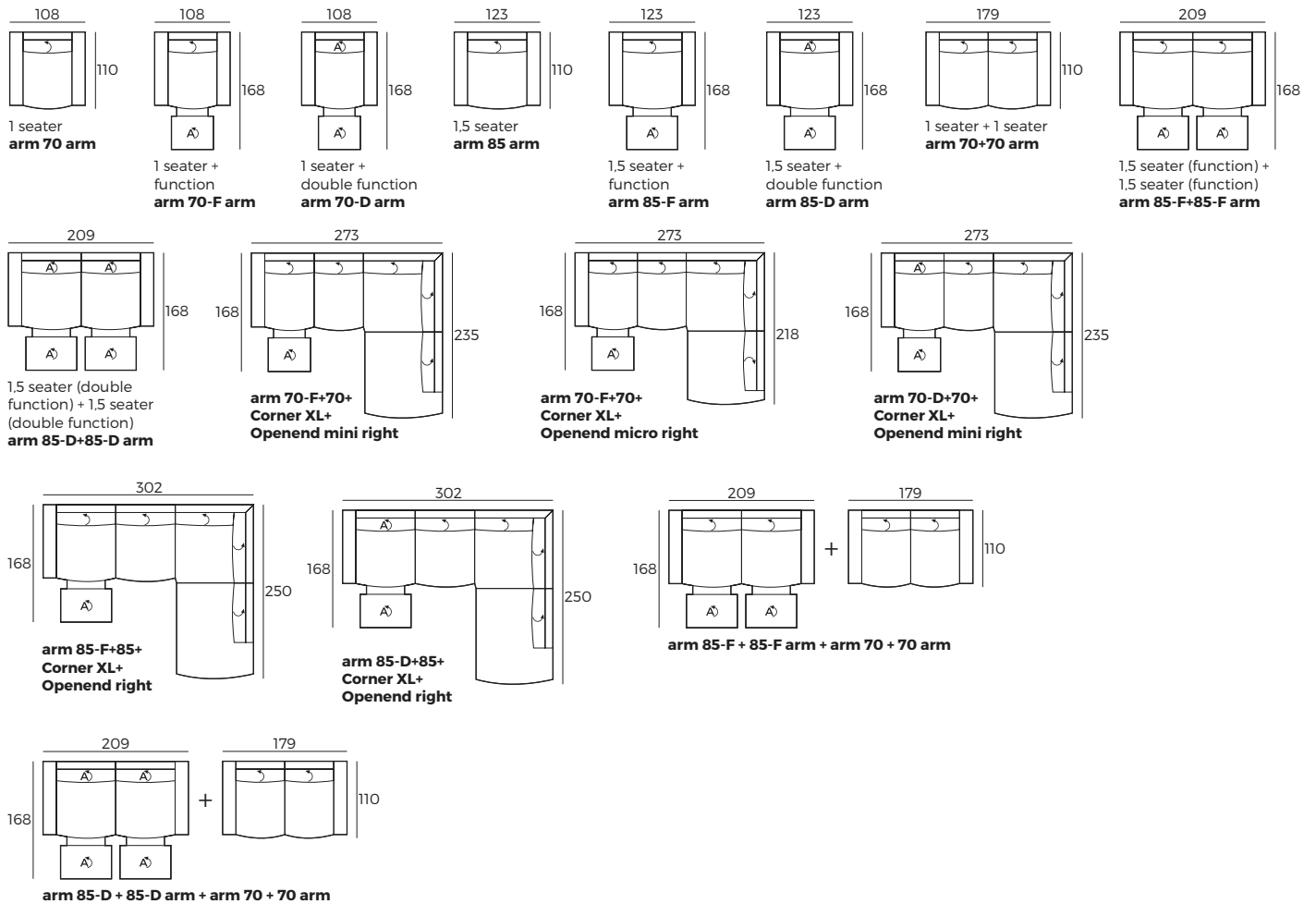
## Modules



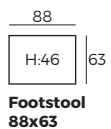
## Modules with armrest



## Combinations



## Accessories



∩ - manual; Ⓐ - electrical; \*F - single electric function; \*D - double electric function

**REST ASSURED**  
vilmers.com

# Lavina

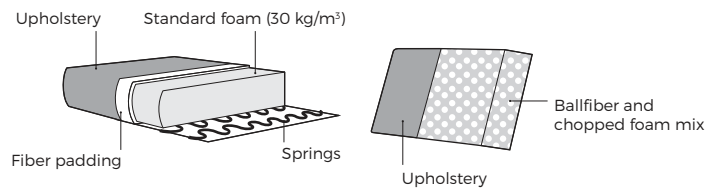


VILMERS

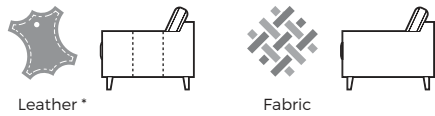
# Lavina



## Comfort



### 1. Upholstery



\* Leather covers may require more stitches than fabric covers.

### 2. Legs

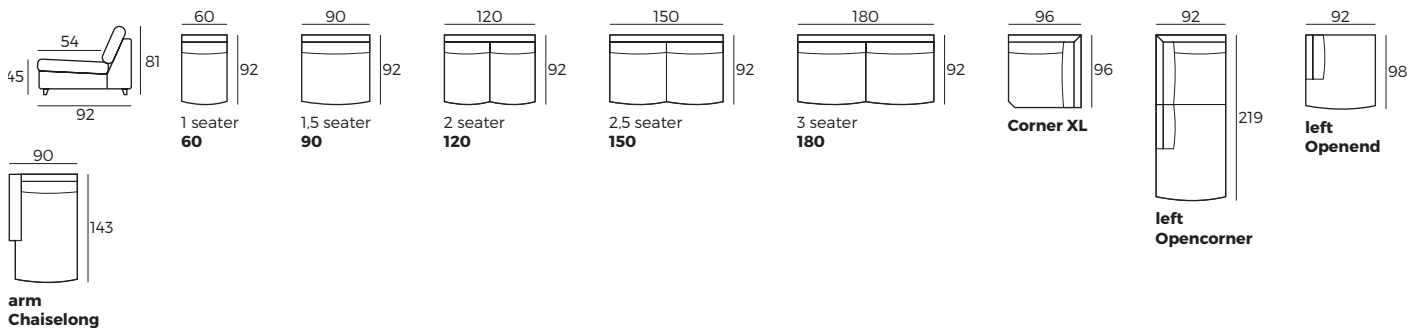


#### IMPORTANT:

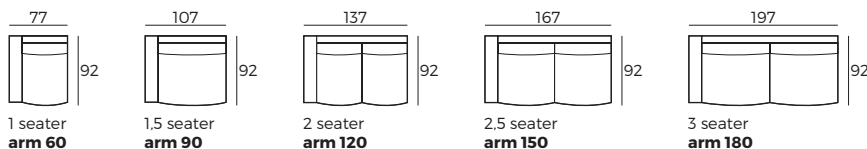
Upholstered furniture is handmade using soft materials therefore measurements may vary up to +/- 5 cm.  
Parts and sets shown in 2D drawings are left-sided. Parts and sets can be mirrored from left to right.

## Modules

Scale 1:100



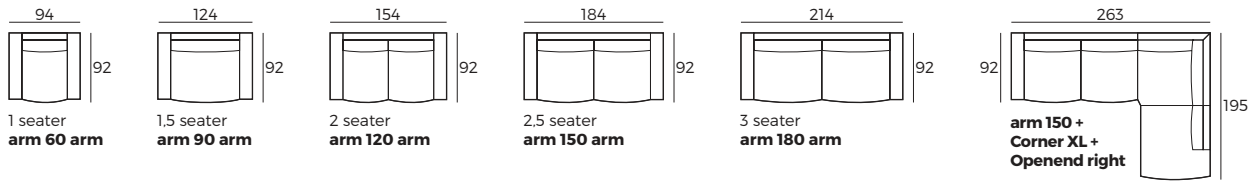
## Modules with armrest



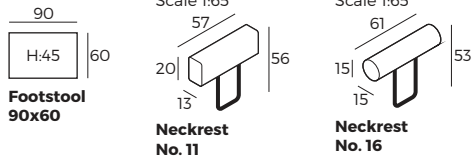
# Lavina

## Combinations

Scale 1:100



## Accessories



# Linden



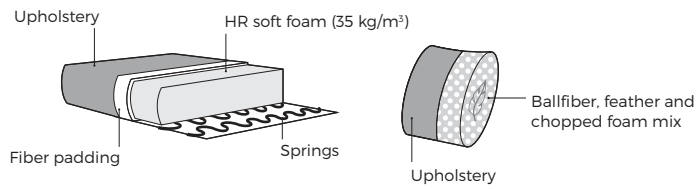
VILMERS



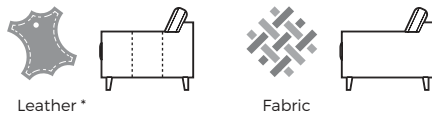
# Linden



## Comfort



### 1. Upholstery



\* Leather covers may require more stitches than fabric covers.

### 2. Legs

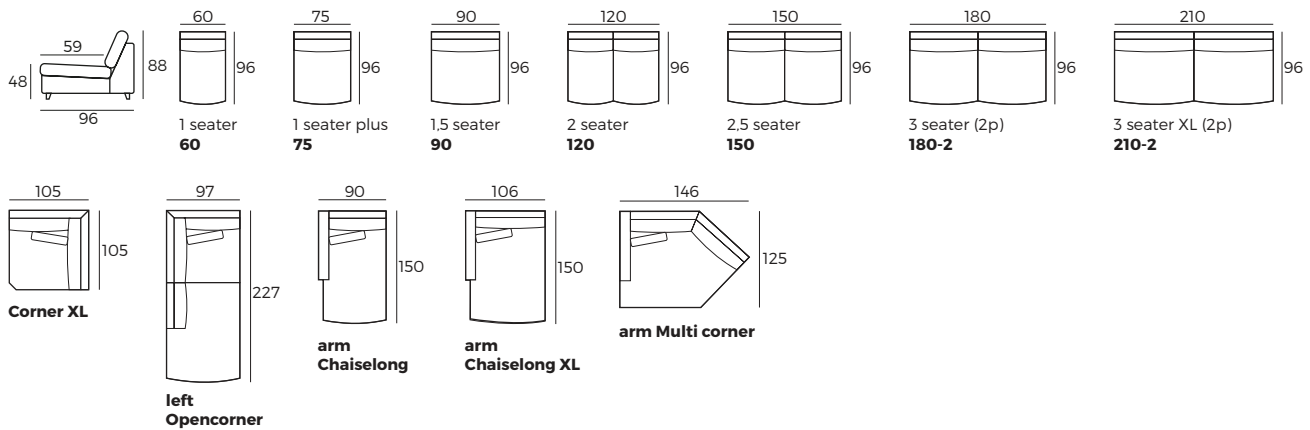


#### IMPORTANT:

Upholstered furniture is handmade using soft materials therefore measurements may vary up to +/- 5 cm.  
Parts and sets shown in 2D drawings are left-sided. Parts and sets can be mirrored from left to right.

## Modules

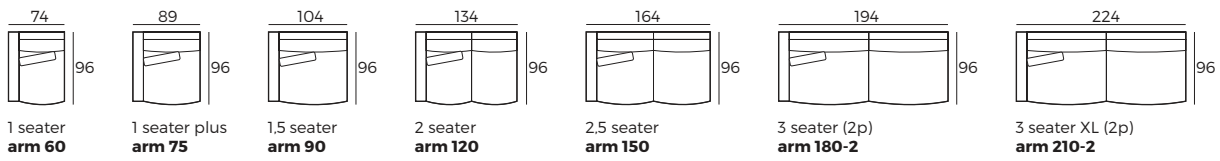
Scale 1:100



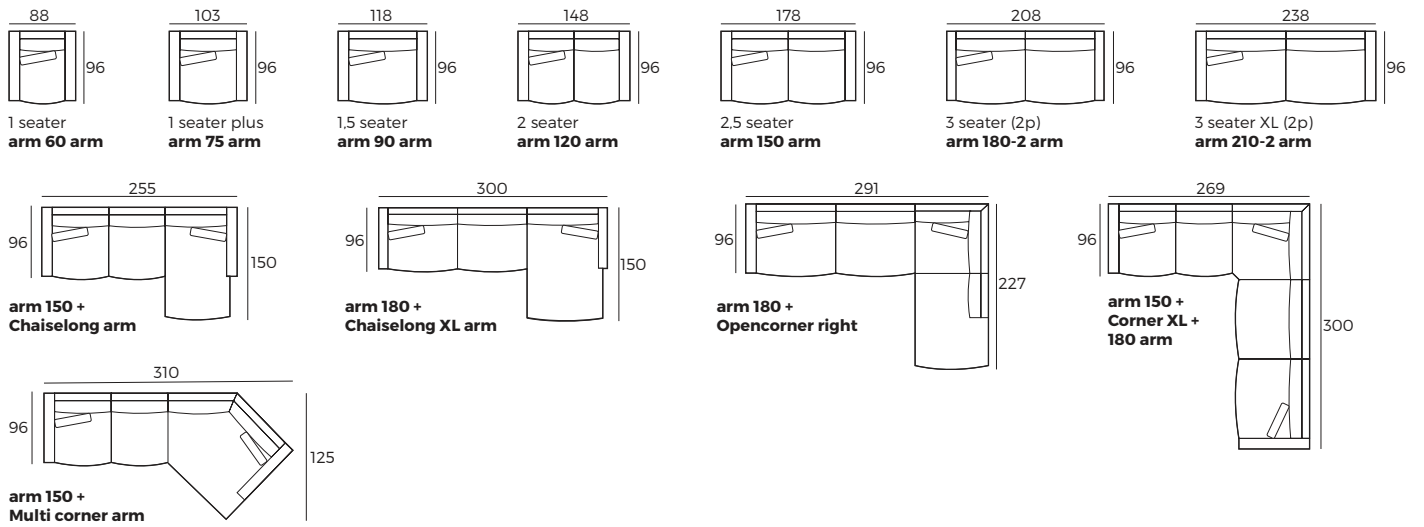
# Linden

## Modules with armrest

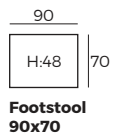
Scale 1:100



## Combinations



## Accessories



# Lita

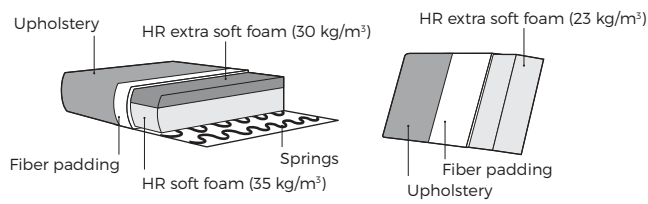


VILMERS

# Lita



## Comfort



## 1. Upholstery



Fabric

## 2. Legs



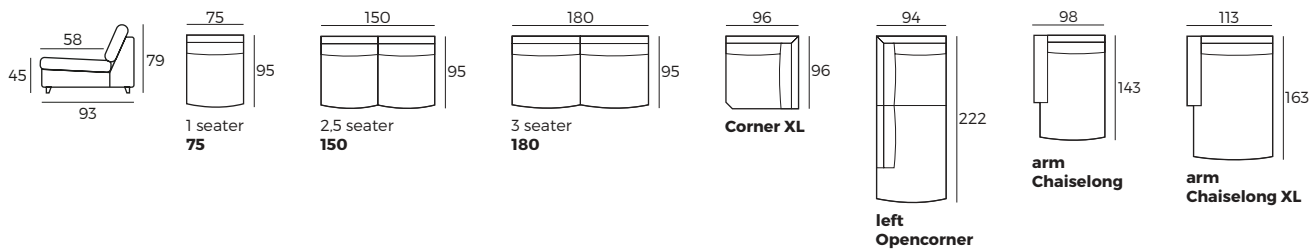
385 Black metal

### IMPORTANT:

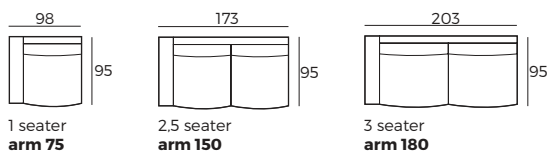
Upholstered furniture is handmade using soft materials therefore measurements may vary up to +/- 5 cm.  
Parts and sets shown in 2D drawings are left-sided. Parts and sets can be mirrored from left to right.

## Modules

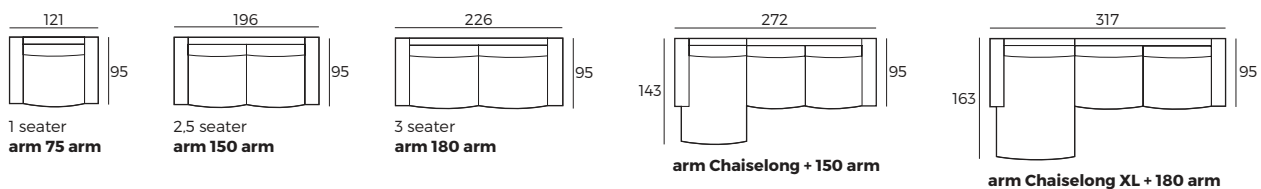
Scale 1:100



## Modules with armrest



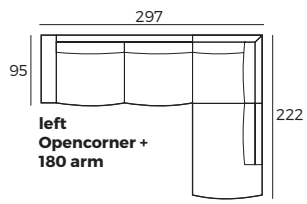
## Combinations



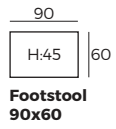
# Lita

## Combinations

Scale 1:100



## Accessories





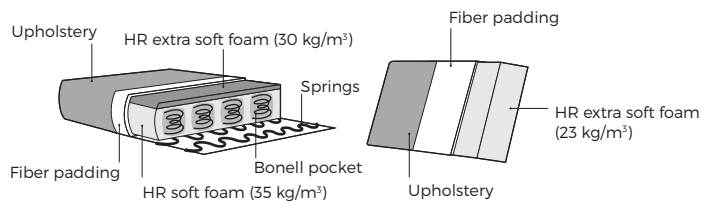
# Liv



VILMERS



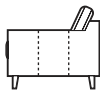
## Comfort



## 1. Upholstery



Leather\*



Fabric

\* Leather covers may require more stitches than fabric covers.

## 2. Armrest



**Flexy**

W 12/20 x D 90 x H 51



**Share**

W 16 x D 90 x H 48



**Evy**

W 18 x D 90 x H 52

## 3. Legs



529  
Oiled



Black colored  
lacquer



White  
oiled



393  
Black  
metal



387  
Black  
metal



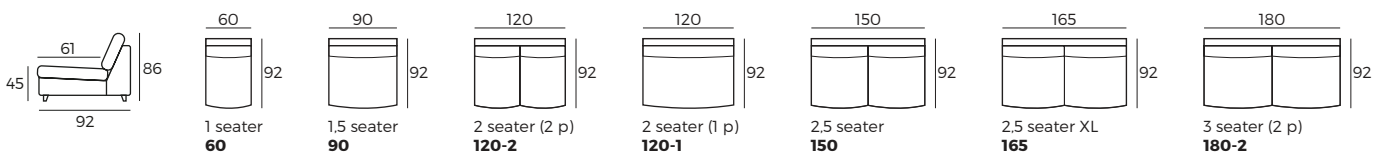
385  
Black  
metal

### IMPORTANT:

Upholstered furniture is handmade using soft materials therefore measurements may vary up to +/- 5 cm.  
Parts and sets shown in 2D drawings are left-sided. Parts and sets can be mirrored from left to right.

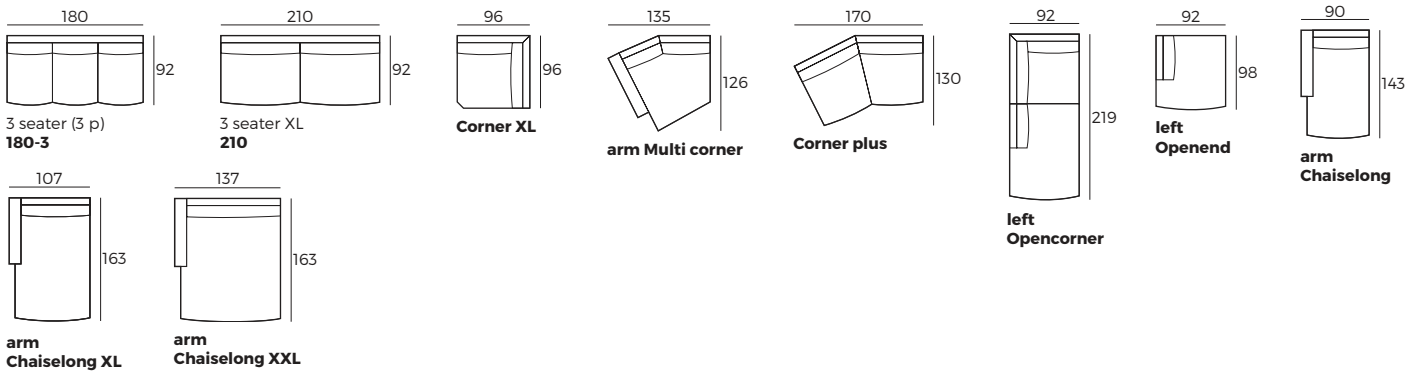
## Modules (Measurements with Share armrest)

Scale 1:100

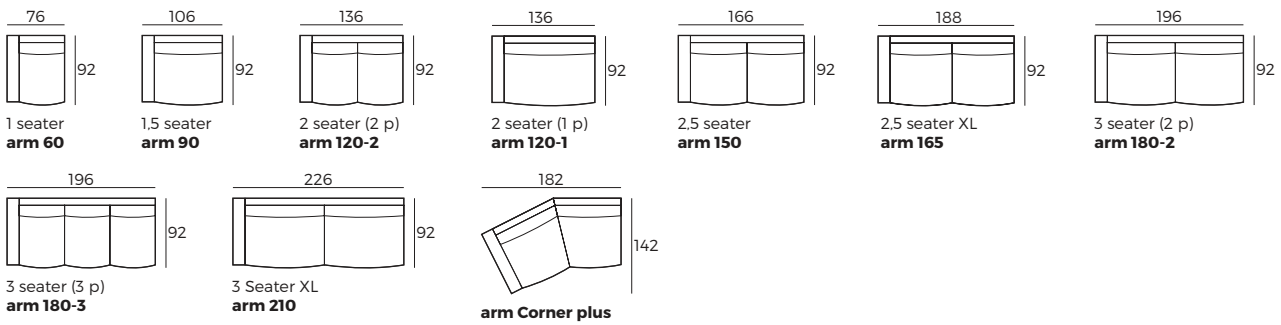


## Modules (Measurements with Share armrest)

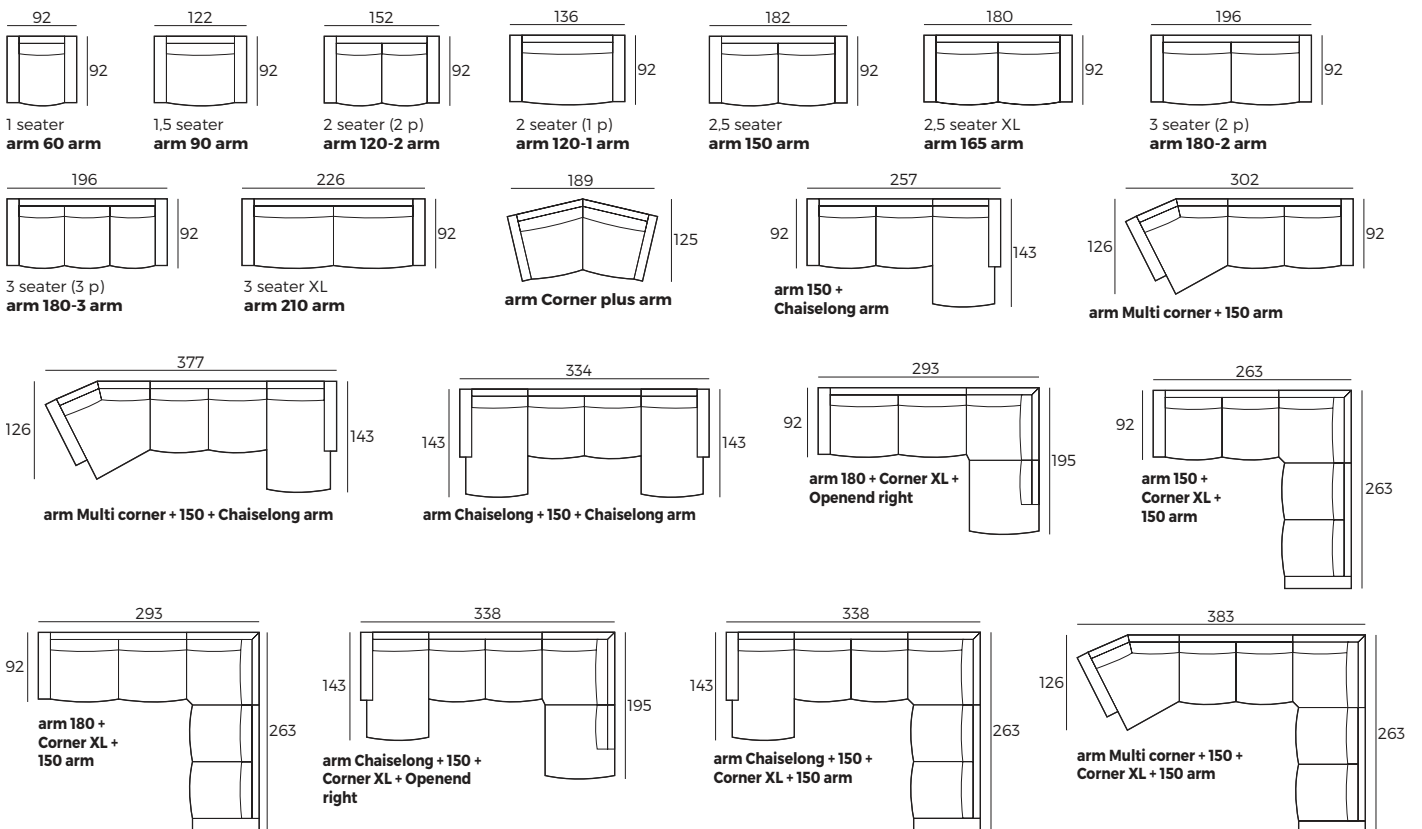
Scale 1:100



## Modules with armrest (Measurements with Share armrest)

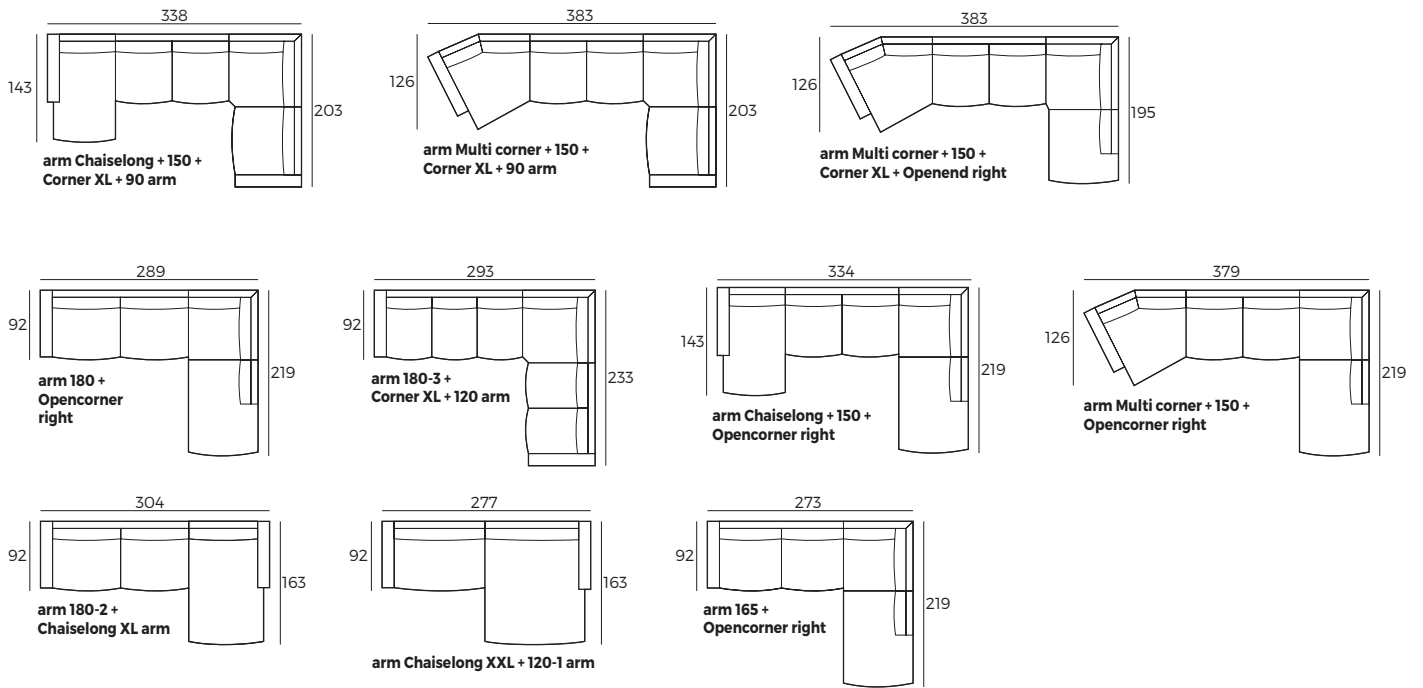


## Combinations (Measurements with Share armrest)

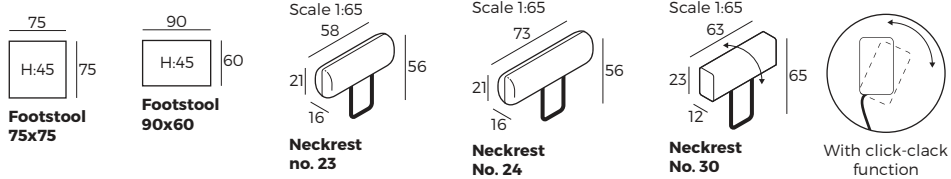


## Combinations (Measurements with Share armrest)

Scale 1:100



## Accessories



# Live

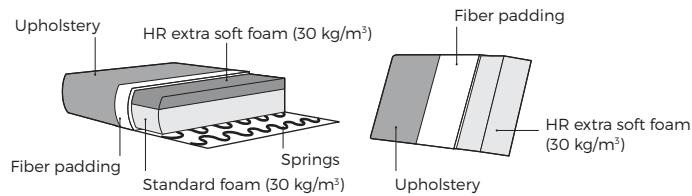


VILMERS

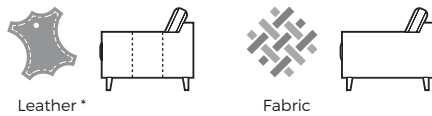
# Live



## Comfort



### 1. Upholstery

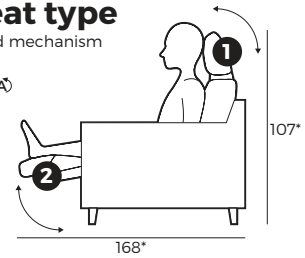


\* Leather covers may require more stitches than fabric covers.

### 2. Headrest & seat type

\*Measures with fully opened mechanism

- ① Manual ↗ / Electrical ⚡
- ② Electrical ⚡



### 3. Bi-Color option



### 4. Legs

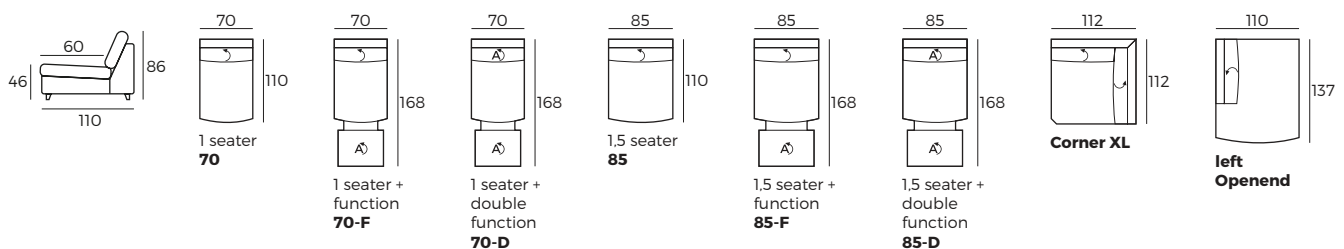


#### IMPORTANT:

Upholstered furniture is handmade using soft materials therefore measurements may vary up to +/- 5 cm.  
Parts and sets shown in 2D drawings are left-sided. Parts and sets can be mirrored from left to right.

## Modules

Scale 1:100

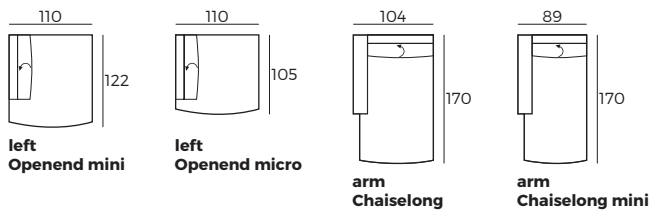




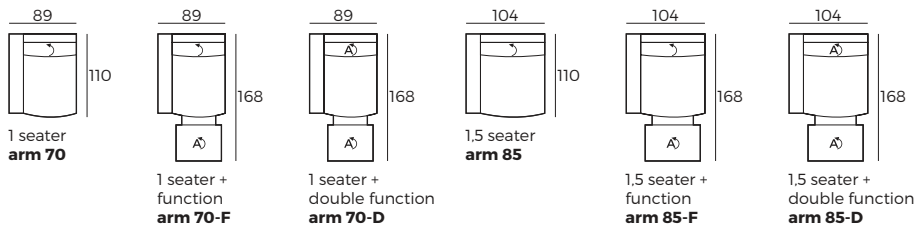
# Live

Scale 1:100

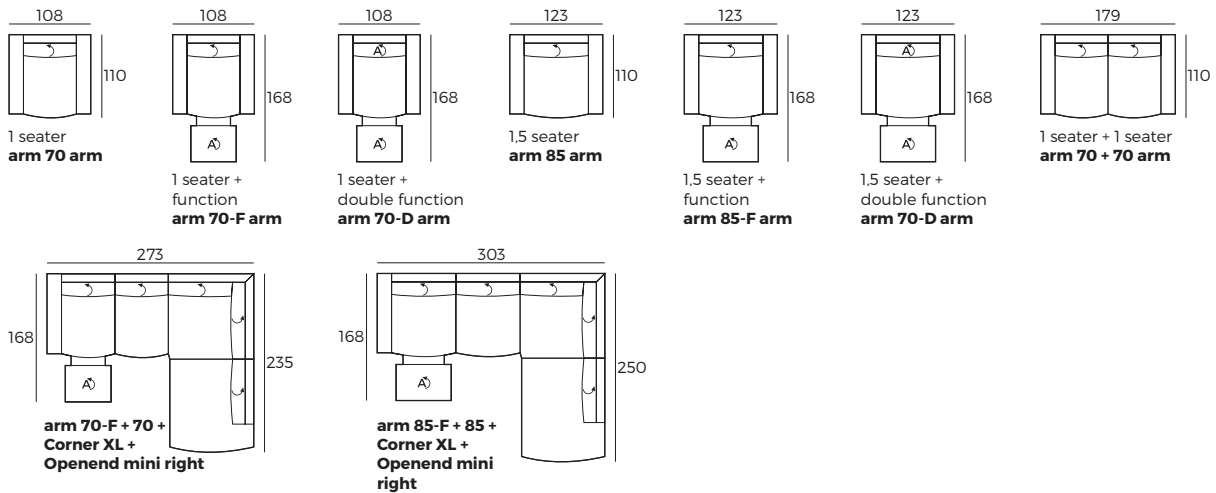
## Modules



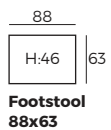
## Modules with armrest



## Combinations



## Accessories



› - manual; A - electrical \*F - single electric function; \*D - double electric function

# Livingston



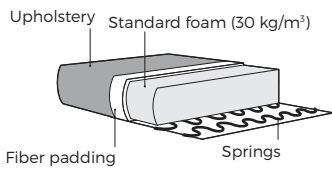
VILMERS

# Livingston

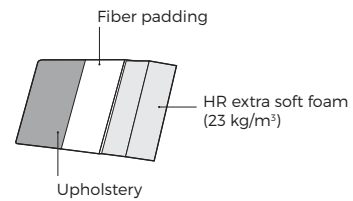
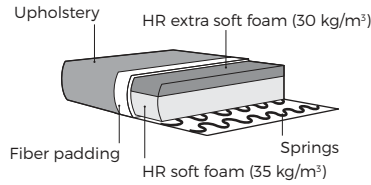


## Comfort selection

### HARD FOAM



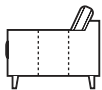
### SOFT FOAM



## 1. Upholstery



Leather \*



Fabric

\* Leather covers may require more stitches than fabric covers.

## 2. Armrests



1

W 23 x D 91 x H 52



2

W 31 x D 91 x H 38



3

W 16 x D 91 x H 45

## Armrest 2 function



## 3. Legs



269  
Black colored  
lacquer



447  
Dark brown  
metal



468  
Metal



454  
Black  
metal



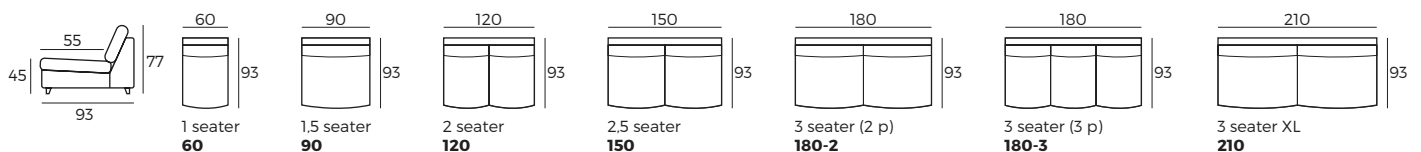
203  
Black  
metal

### IMPORTANT:

Upholstered furniture is handmade using soft materials therefore measurements may vary up to +/- 5 cm.  
Parts and sets shown in 2D drawings are left-sided. Parts and sets can be mirrored from left to right.

## Modules (Measurements with 2 armrest)

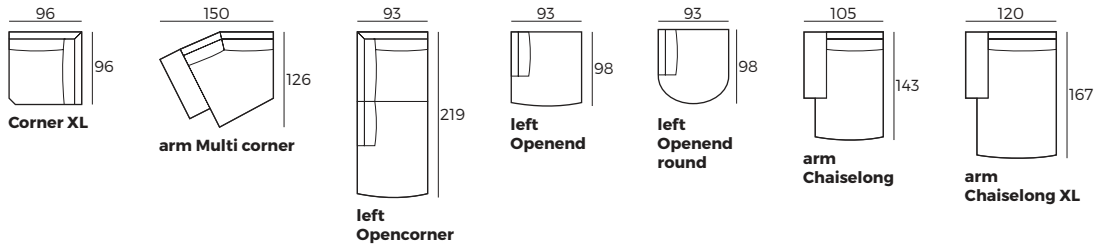
Scale 1:100



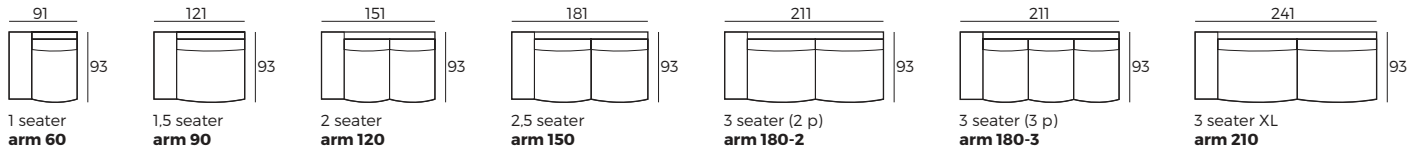
# Livingston

## Modules (Measurements with 2 armrest)

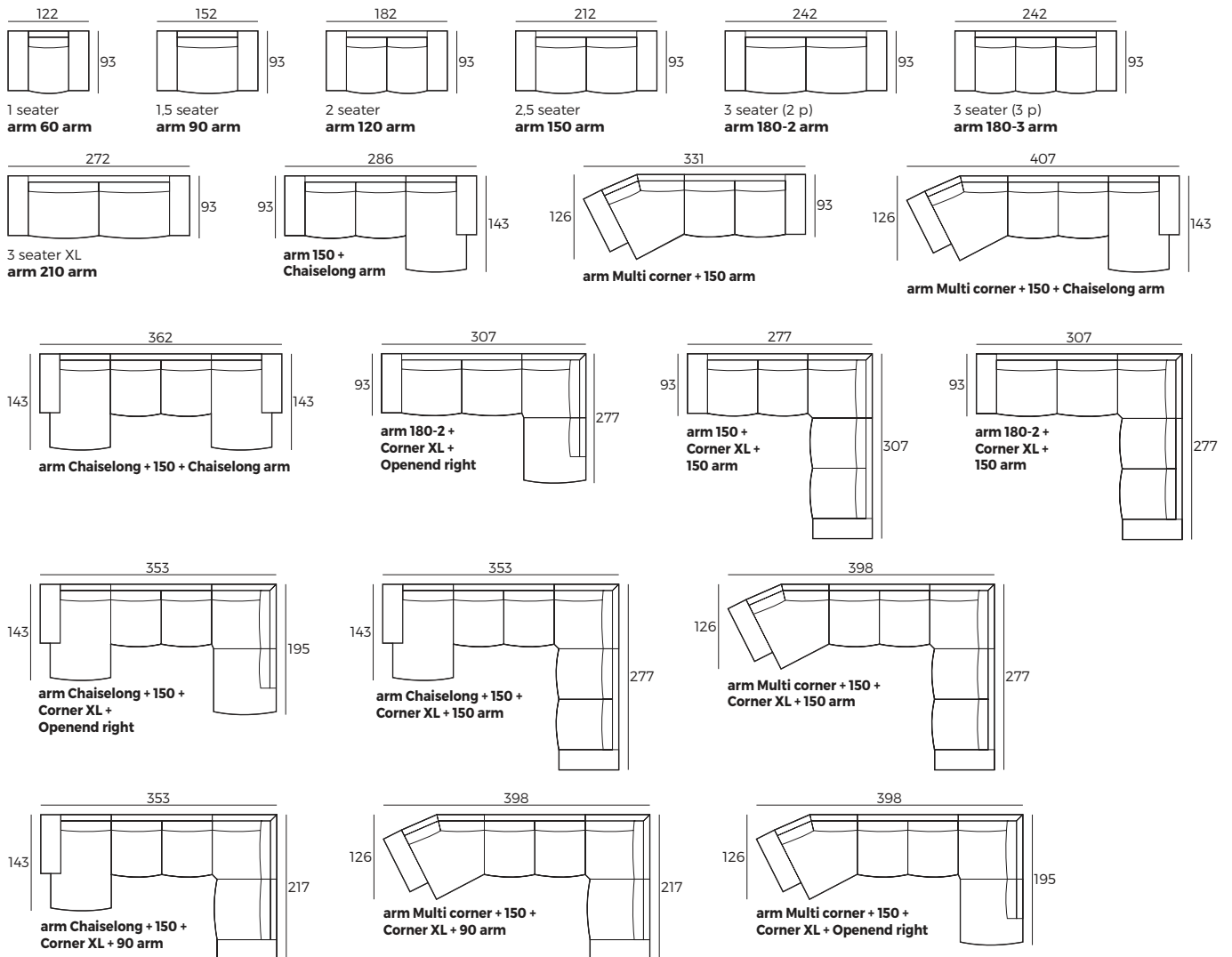
Scale 1:100



## Modules with armrest (Measurements with 2 armrest)



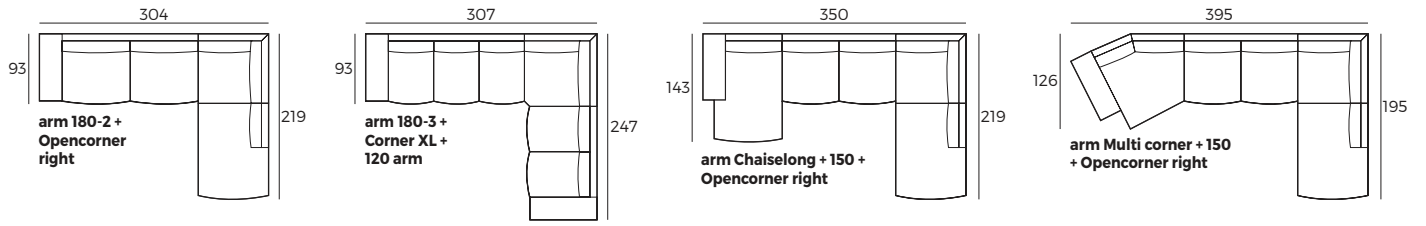
## Combinations (Measurements with 2 armrest)



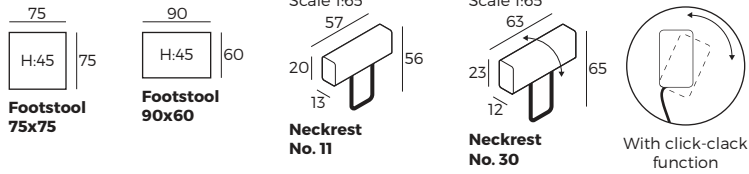
# Livingston

## Combinations (Measurements with 2 armrest)

Scale 1:100



## Accessories



# Lotus



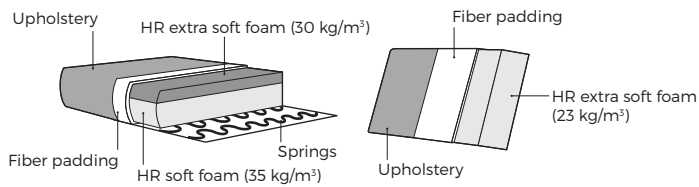
VILMERS



# Lotus



## Comfort



## 1. Upholstery



Fabric

## 2. Legs

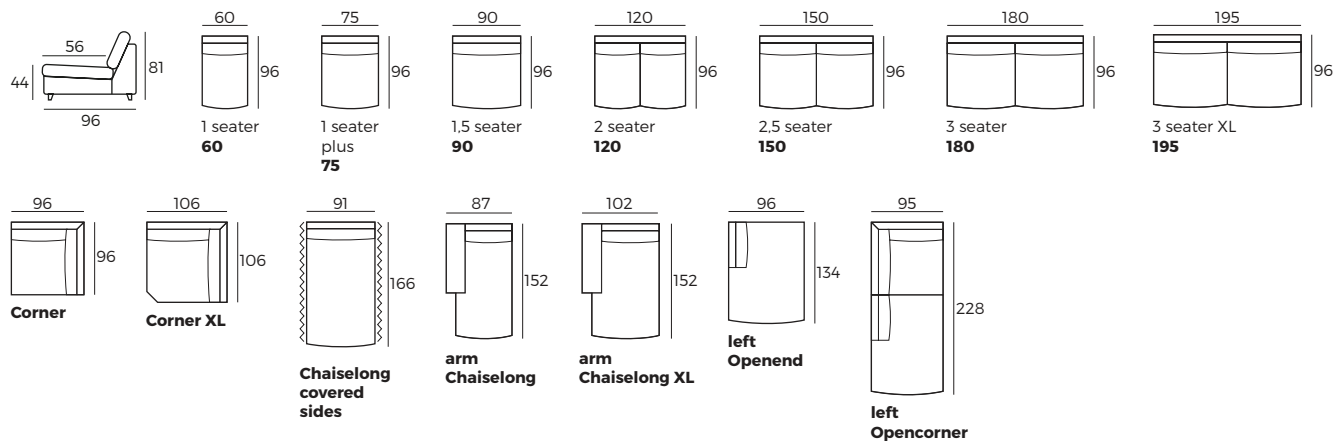


### IMPORTANT:

Upholstered furniture is handmade using soft materials therefore measurements may vary up to +/- 5 cm.  
Parts and sets shown in 2D drawings are left-sided. Parts and sets can be mirrored from left to right.

## Modules

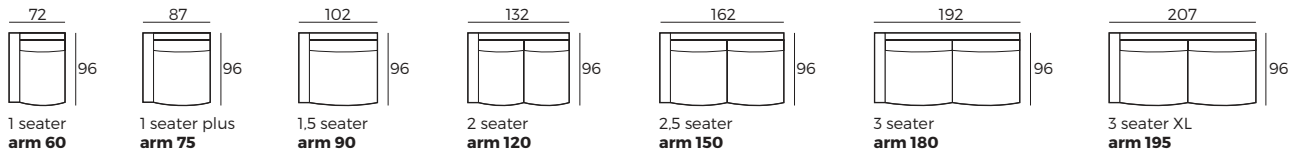
Scale 1:100



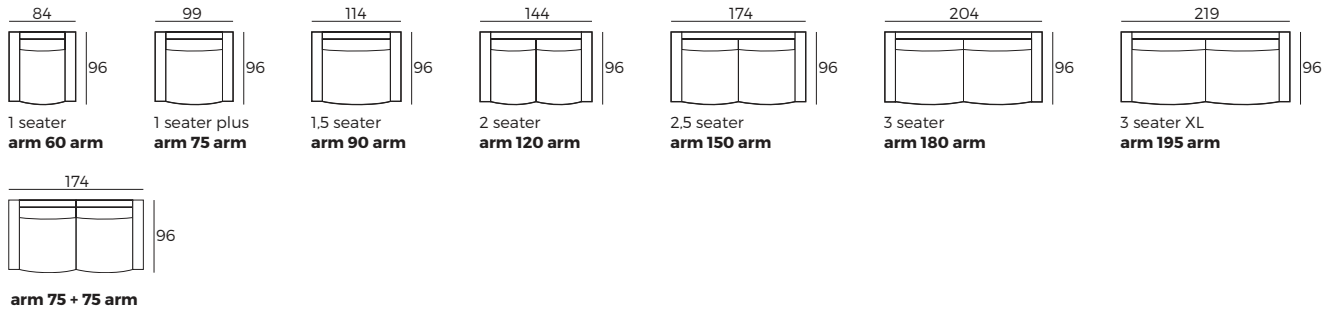
# Lotus

## Modules with armrest

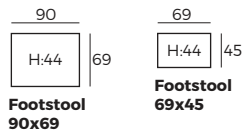
Scale 1:100



## Combinations



## Accessories



# Lupin

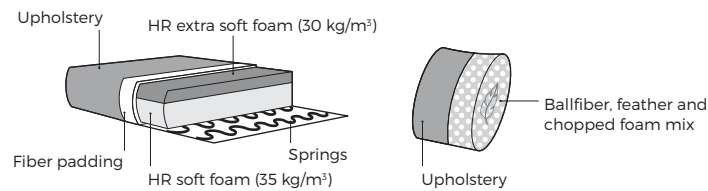


VILMERS

# Lupin



## Comfort



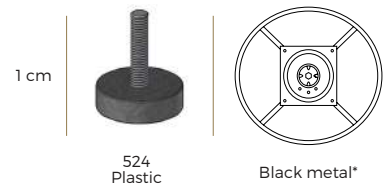
### 1. Upholstery



### 2. Rotation function



### 3. Legs



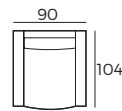
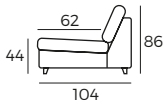
#### IMPORTANT:

Upholstered furniture is handmade using soft materials therefore measurements may vary up to +/- 5 cm.  
Parts and sets shown in 2D drawings are left-sided. Parts and sets can be mirrored from left to right.  
Rotation mechanism customized only for armchair.

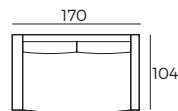
## Combinations

Scale 1:100

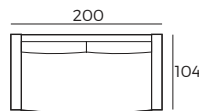
#### Sofa



1 seater  
arm 70 arm

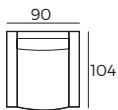
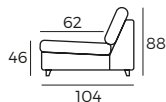


2 seater  
arm 150 arm



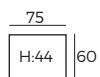
3 seater  
arm 180 arm

#### Chair with swivel mechanism



Chair  
arm 70-S arm

## Accessories



Footstool  
75x60

# Maison

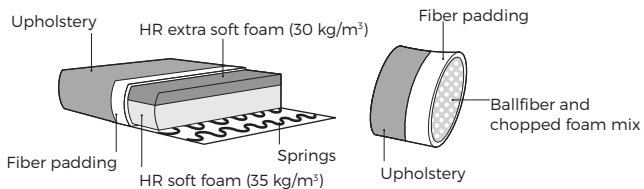


VILMERS

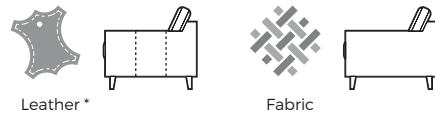
# Maison



## Comfort

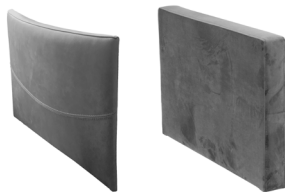


## 1. Upholstery



\* Leather covers may require more stitches than fabric covers.

## 2. Armrests



**Fancy** W 11 x D 90 x H 53  
**Maison** W 10 x D 90 x H 53

## 3. Legs

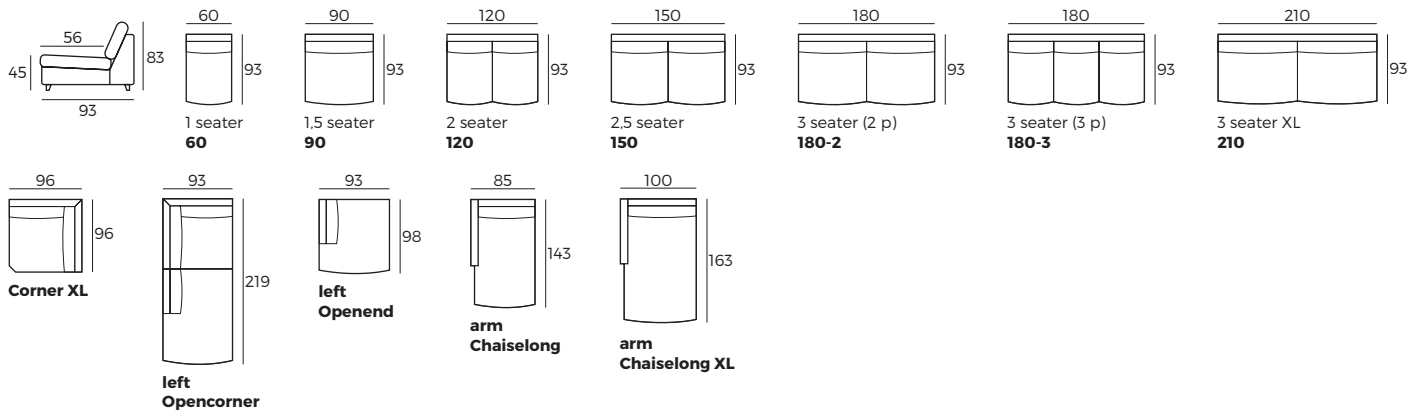


### IMPORTANT:

Upholstered furniture is handmade using soft materials therefore measurements may vary up to +/- 5 cm.  
Parts and sets shown in 2D drawings are left-sided. Parts and sets can be mirrored from left to right.

## Modules (Measurements with Maison armrest)

Scale 1:100

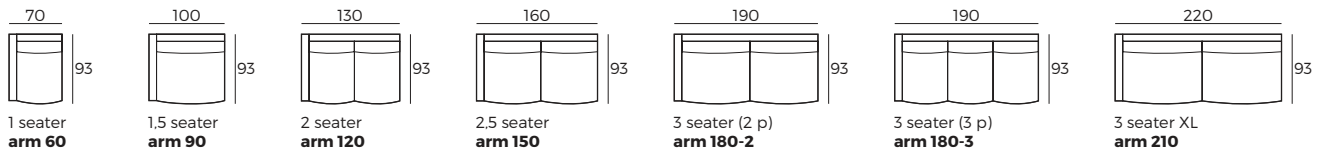




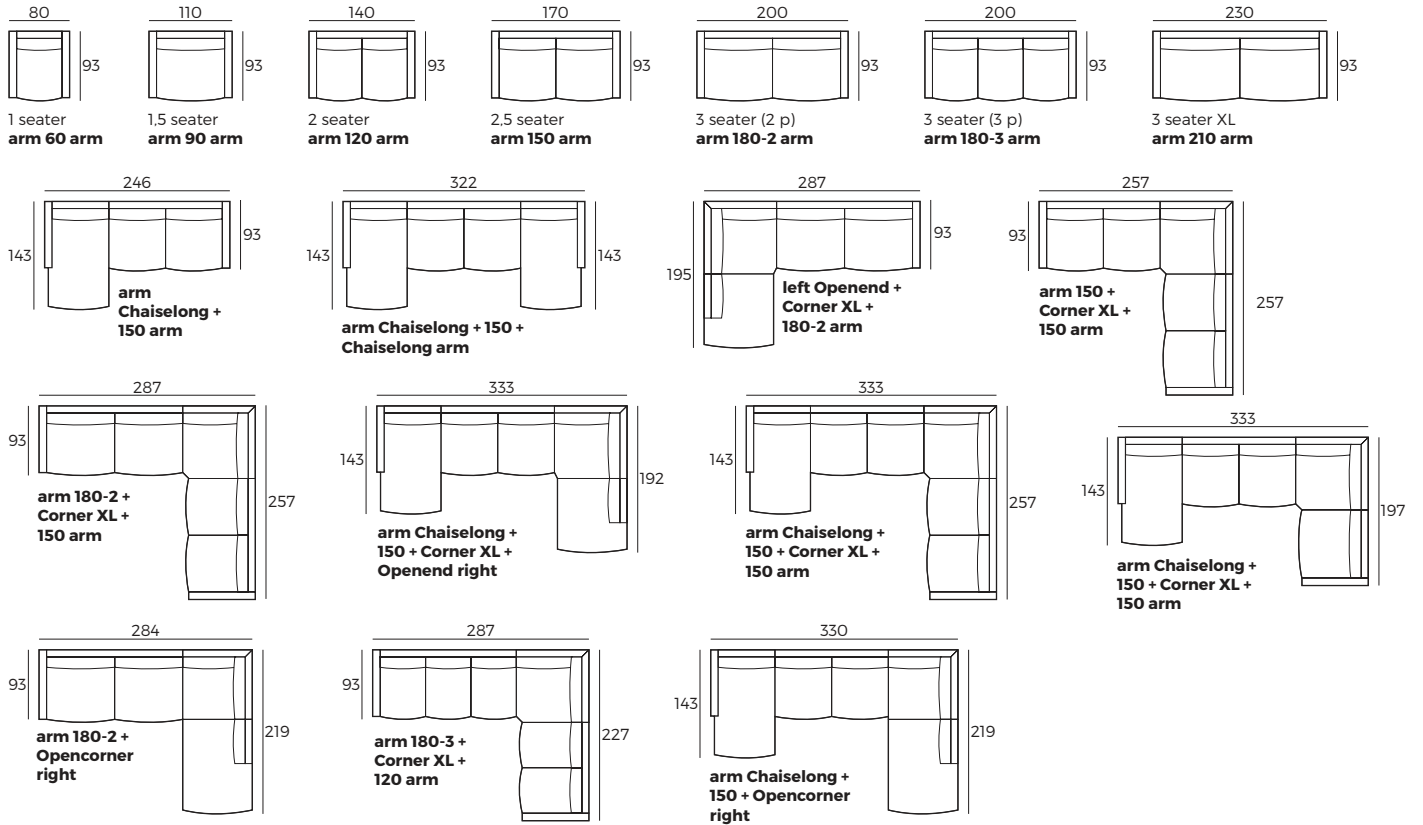
# Maison

## Modules with armrest (Measurements with Maison armrest)

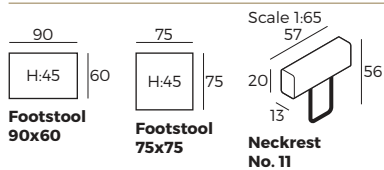
Scale 1:100



## Combinations (Measurements with Maison armrest)



## Accessories



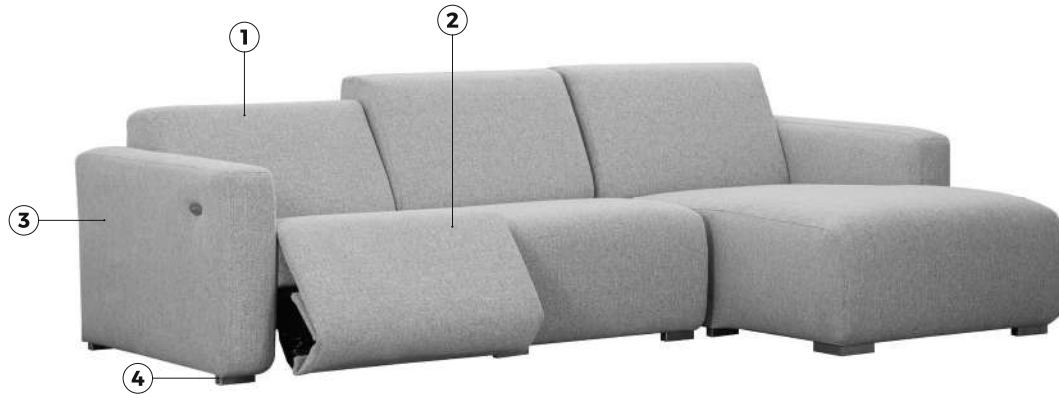
# Mantanas



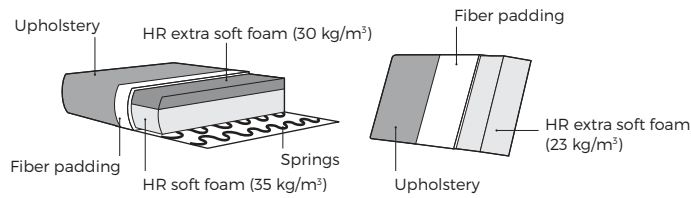
VILMERS



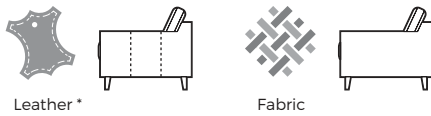
# Mantanas



## Comfort



## 1. Upholstery

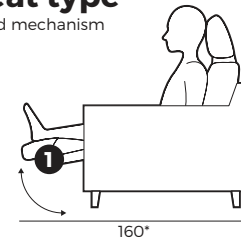


\* Leather covers may require more stitches than fabric covers.

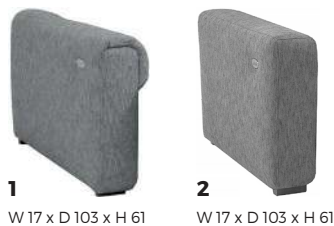
## 2. Headrest & seat type

\*Measures with fully opened mechanism

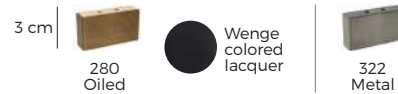
1 Electrical  $\Delta$



## 3. Armrests



## 4. Legs

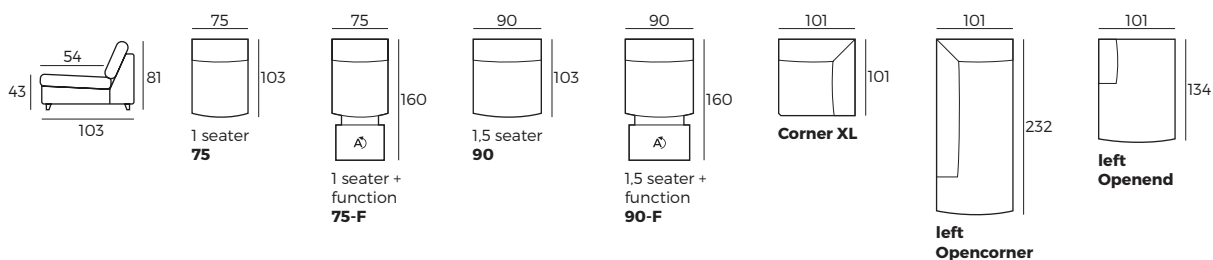


### IMPORTANT:

Upholstered furniture is handmade using soft materials therefore measurements may vary up to +/- 5 cm.  
Parts and sets shown in 2D drawings are left-sided. Parts and sets can be mirrored from left to right.

## Modules

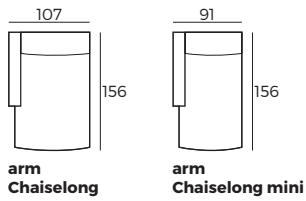
Scale 1:100



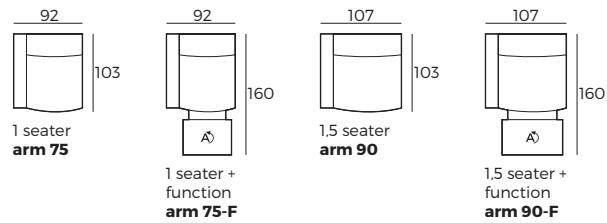
# Mantanas

Scale 1:100

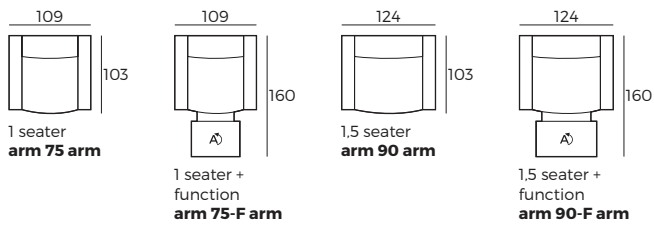
## Modules



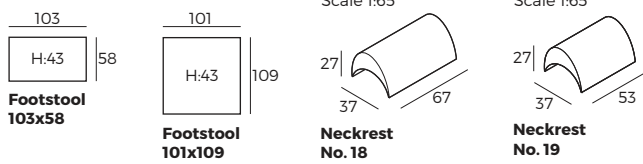
## Modules with armrest



## Combinations



## Accessories



⌚ - electrical    \*F - single electric function

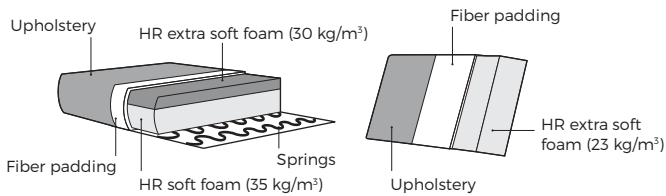
# Martine



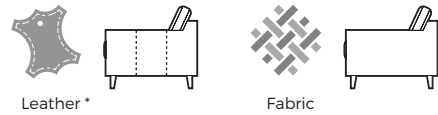
# Martine



## Comfort



## 1. Upholstery

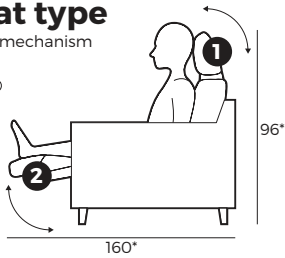


\* Leather covers may require more stitches than fabric covers.

## 2. Headrest & seat type

\*Measures with fully opened mechanism

- 1 Manual ↶ / Electrical Ⓐ
- 2 Electrical Ⓐ



## 3. Bi-Color option



## 4. Legs

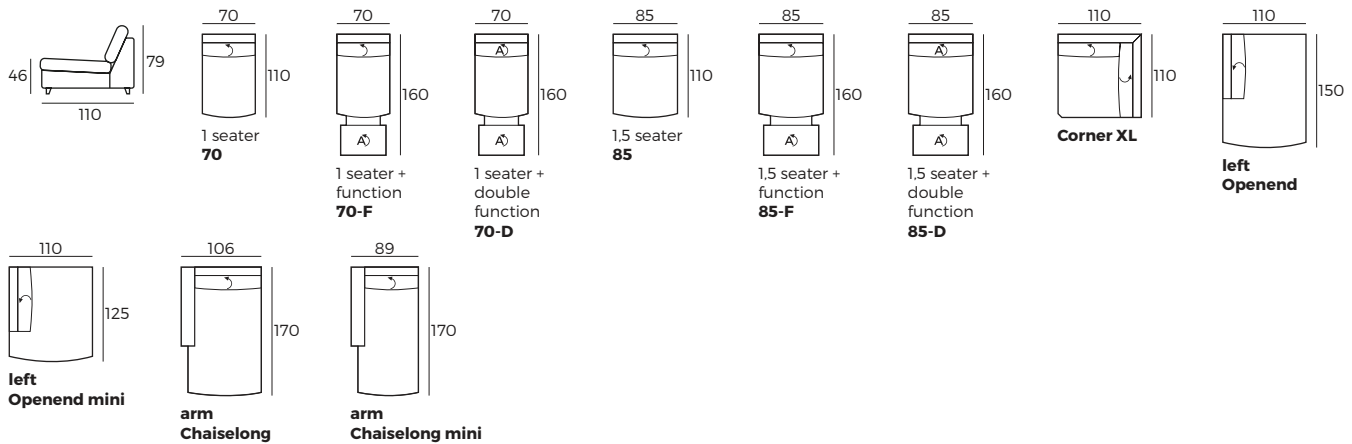


### IMPORTANT:

Upholstered furniture is handmade using soft materials therefore measurements may vary up to +/- 5 cm.  
Parts and sets shown in 2D drawings are left-sided. Parts and sets can be mirrored from left to right.

## Modules

Scale 1:100

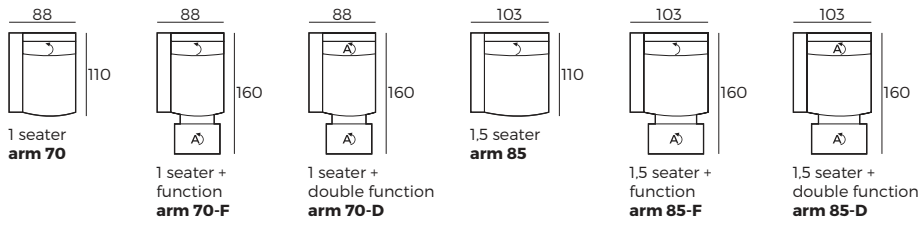




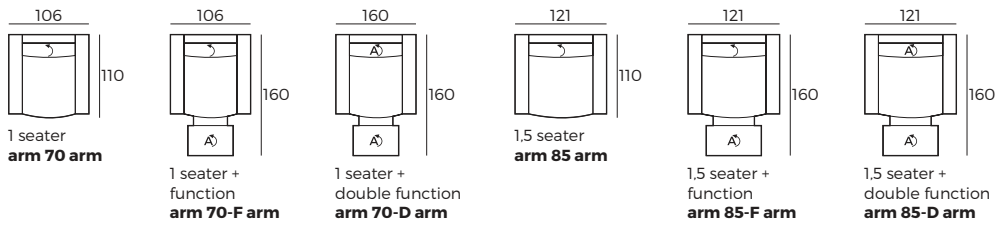
# Martine

## Modules with armrest

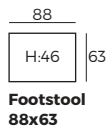
Scale 1:100



## Combinations



## Accessories



∩ - manual; Ⓐ - electrical    \*F - single electric function; \*D - double electric function

# Meadow

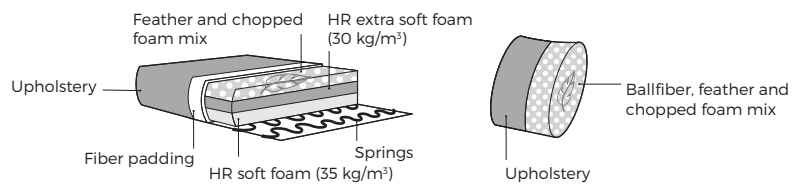


VILMERS

# Meadow



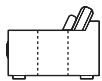
## Comfort



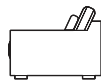
### 1. Upholstery



Leather



Fabric



\* Leather covers may require more stitches than fabric covers.

### 2. Armrests



**1. Morgia**

W 32 x D 106 x H 66



**2. Moss**

W 35 x D 106 x H 66

### 3. Legs

4 cm



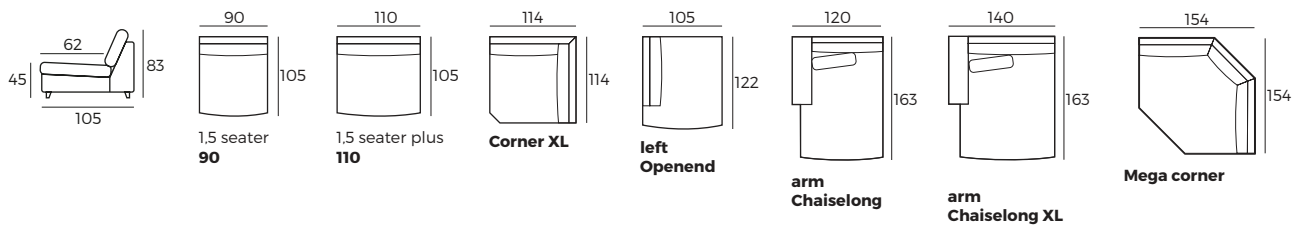
489  
Plastic

#### IMPORTANT:

Upholstered furniture is handmade using soft materials therefore measurements may vary up to +/- 5 cm.  
Parts and sets shown in 2D drawings are left-sided. Parts and sets can be mirrored from left to right.

## Modules (Measurements with Morgia armrest)

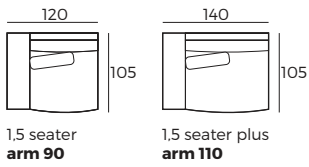
Scale 1:100



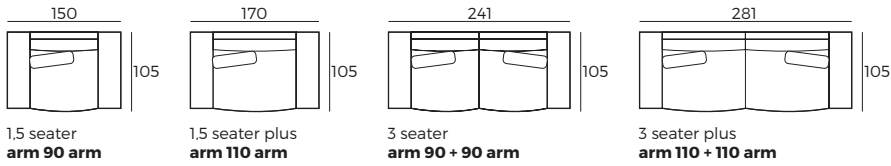
# Meadow

## Modules with armrest (Measurements with Morga armrest)

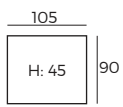
Scale 1:100



## Combinations (Measurements with Morga armrest)



## Accessories



**Footstool**  
**105x90**

# Menson

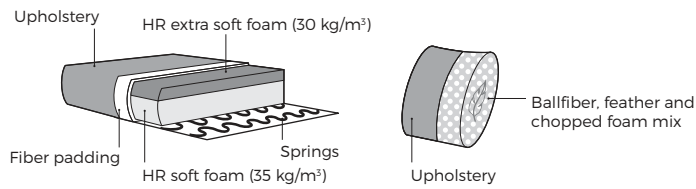


VILMERS

# Menson



## Comfort



### 1. Upholstery



### 2. Legs

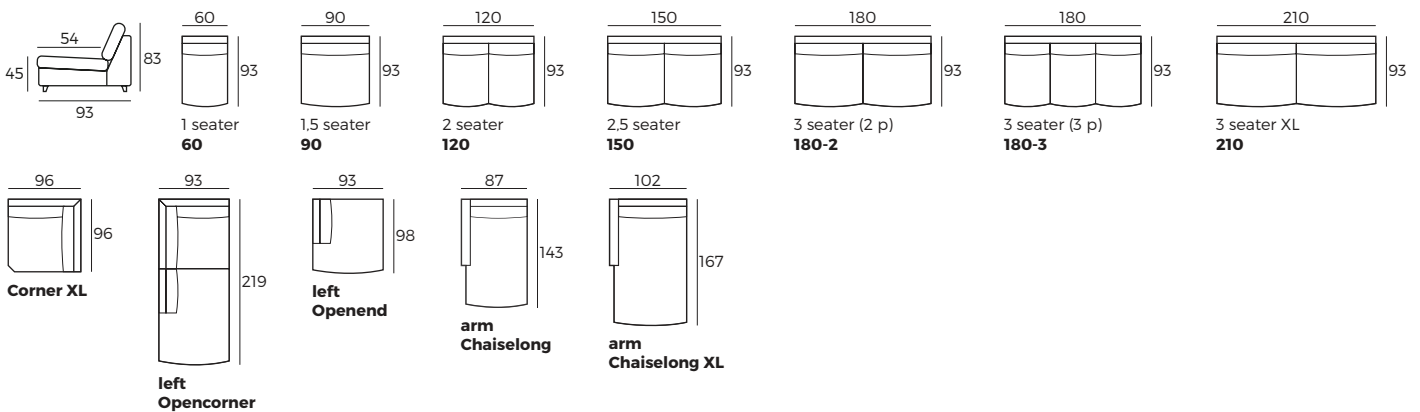


#### IMPORTANT:

Upholstered furniture is handmade using soft materials therefore measurements may vary up to +/- 5 cm.  
Parts and sets shown in 2D drawings are left-sided. Parts and sets can be mirrored from left to right.

## Modules

Scale 1:100

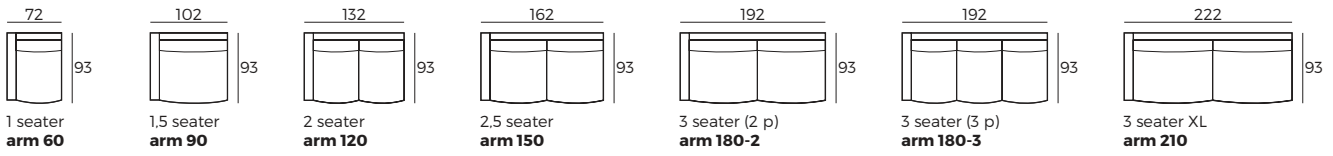




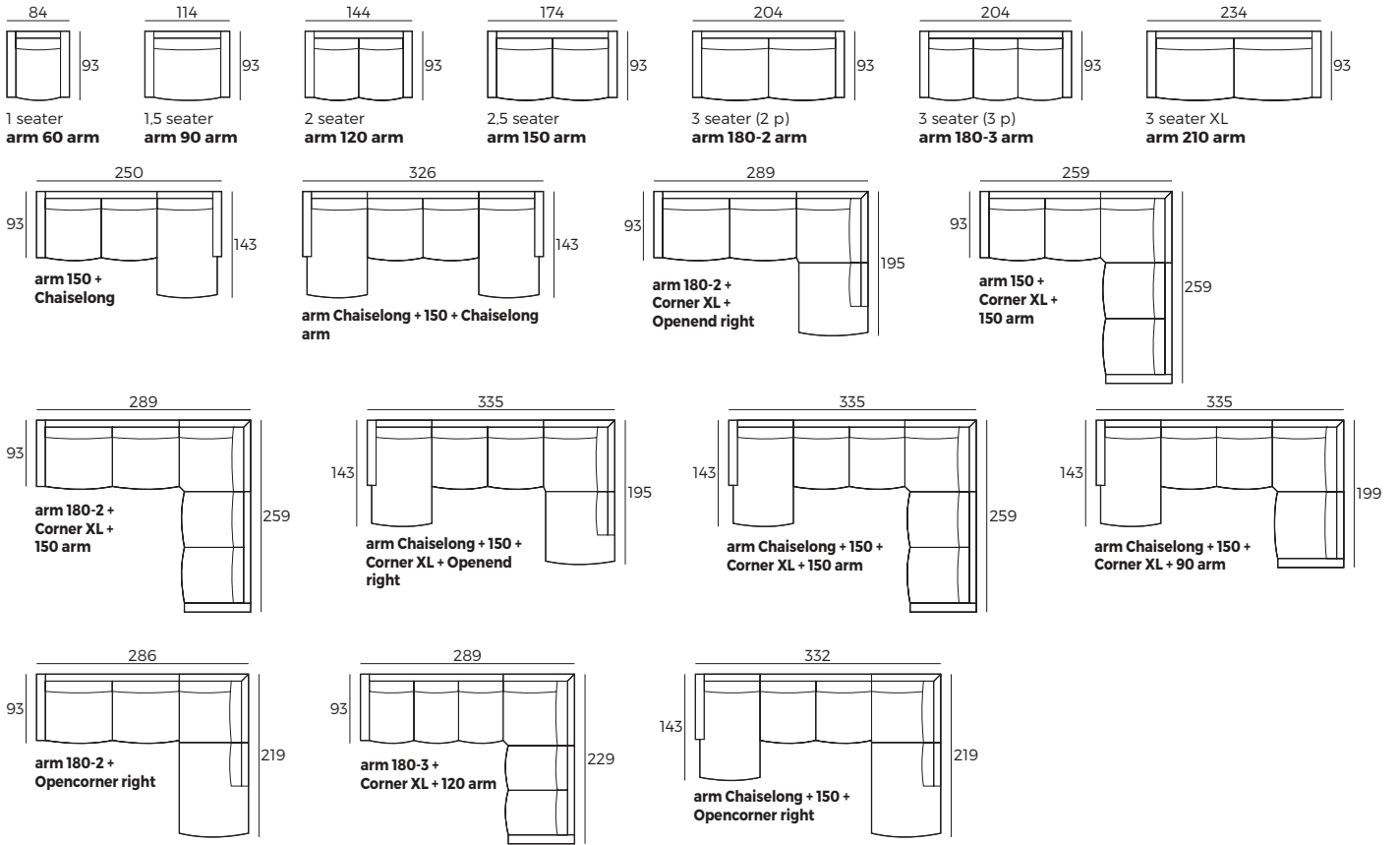
# Menson

## Modules with armrest

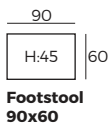
Scale 1:100



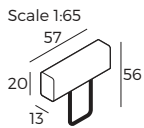
## Combinations



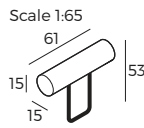
## Accessories



**Footstool**  
90x60



**Neckrest**  
No. 11



**Neckrest**  
No. 16

# Moody

modular

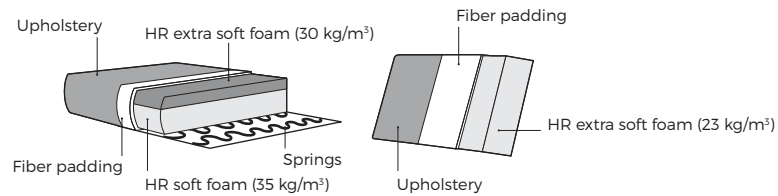


VILMERS

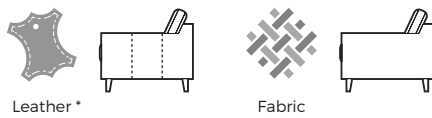
# Moody modular



## Comfort



### 1. Upholstery

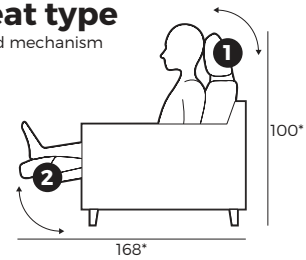


\* Leather covers may require more stitches than fabric covers.

### 2. Headrest & seat type

\*Measures with fully opened mechanism

- 1 Manual ↷
- 2 Electrical ⚡



### 3. Armrest function



**Fully closed** W 11 x D 95 x H 66  
**Fully opened** W 21 x D 95 x H 54

### 4. Multicolor option



### 5. Legs

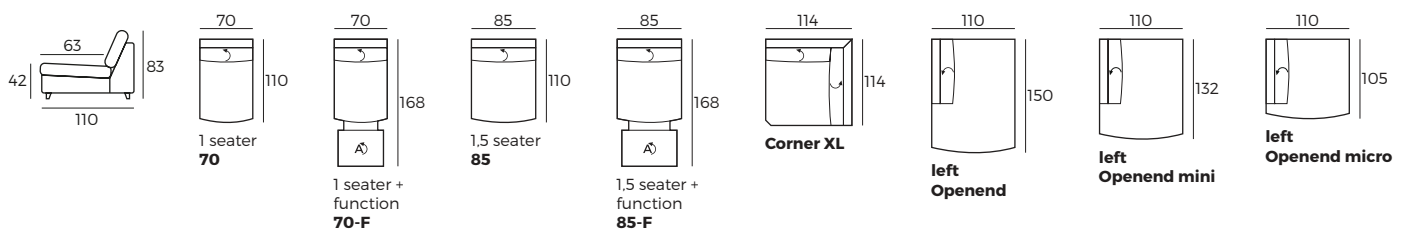


#### IMPORTANT:

Upholstered furniture is handmade using soft materials therefore measurements may vary up to +/- 5 cm.  
 Parts and sets shown in 2D drawings are left-sided. Parts and sets can be mirrored from left to right.

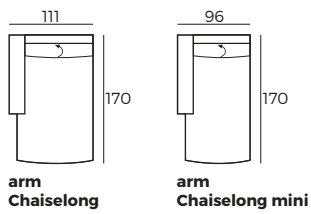
## Modules (Measurements with fully opened armrest)

Scale 1:100

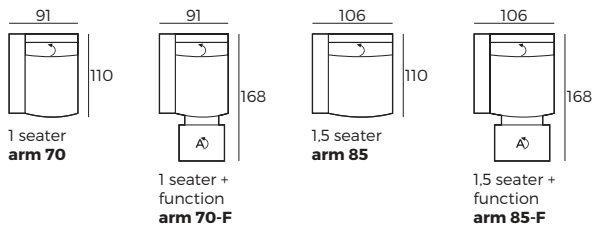


## Modules (Measurements with fully opened armrest)

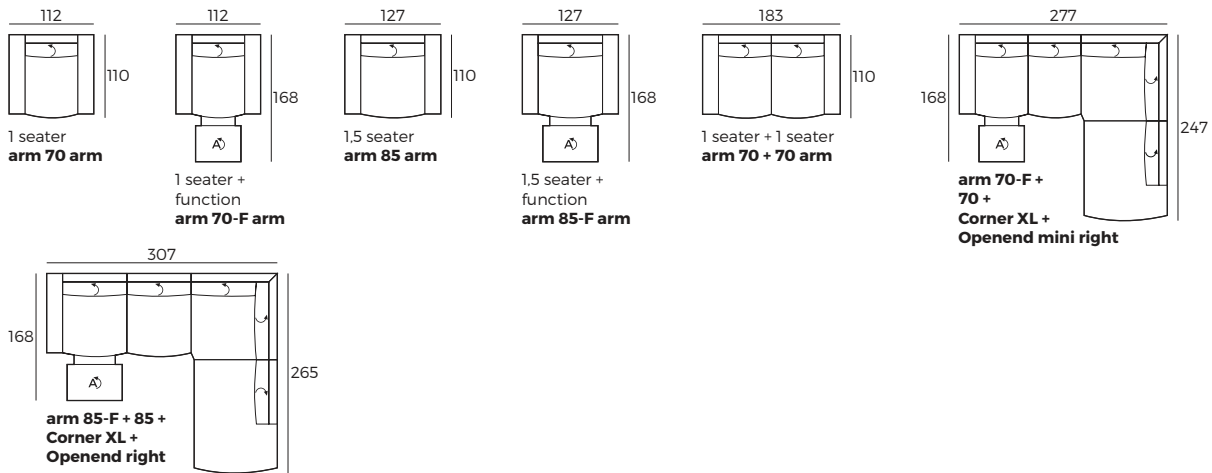
Scale 1:100



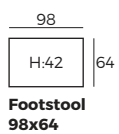
## Modules with armrest (Measurements with fully opened armrest)



## Combinations (Measurements with fully opened armrest)



## Accessories



↷ - manual; ⚡ - electrical    \*F - single electric function

# Moody



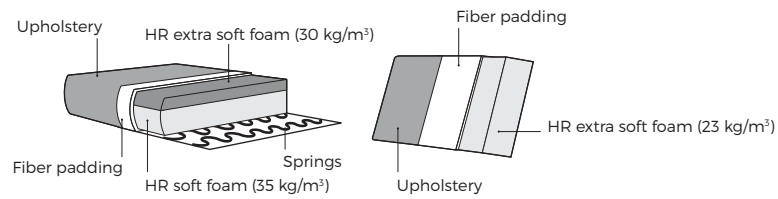
VILMERS



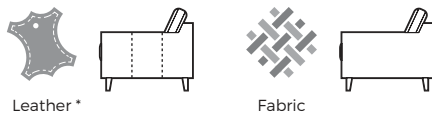
# Moody



## Comfort



### 1. Upholstery

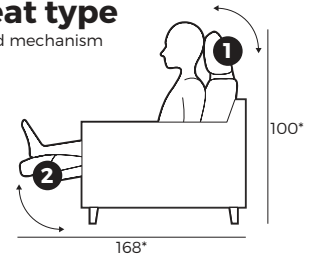


\* Leather covers may require more stitches than fabric covers.

### 2. Headrest & seat type

\* Measures with fully opened mechanism

- 1 Manual ↷
- 2 Electrical ↶

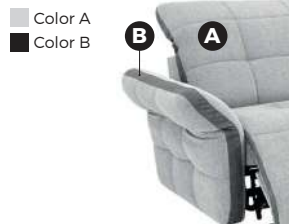


### 3. Armrest function



**Fully closed** W 11 x D 95 x H 66  
**Fully opened** W 21 x D 95 x H 54

### 4. Bi-Color option



### 5. Legs

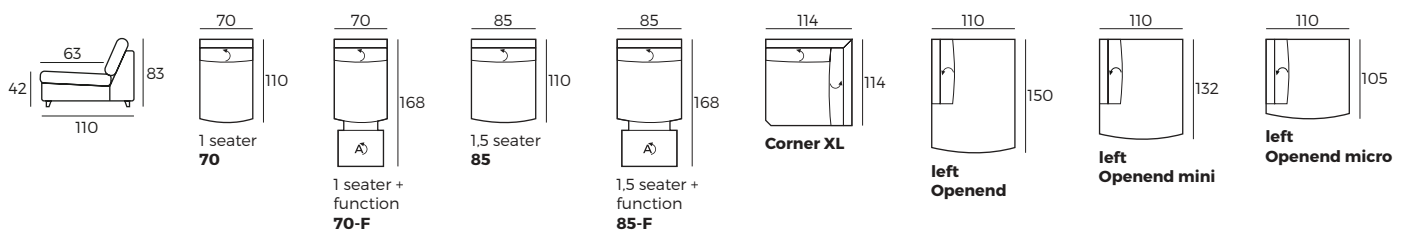


#### IMPORTANT:

Upholstered furniture is handmade using soft materials therefore measurements may vary up to +/- 5 cm.  
 Parts and sets shown in 2D drawings are left-sided. Parts and sets can be mirrored from left to right.

## Modules (Measurements with fully opened armrest)

Scale 1:100

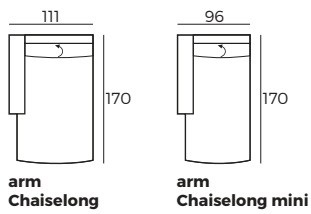




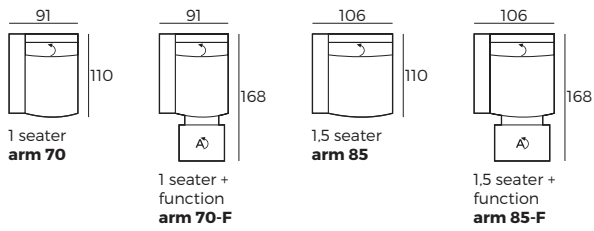
# Moody

## Modules (Measurements with fully opened armrest)

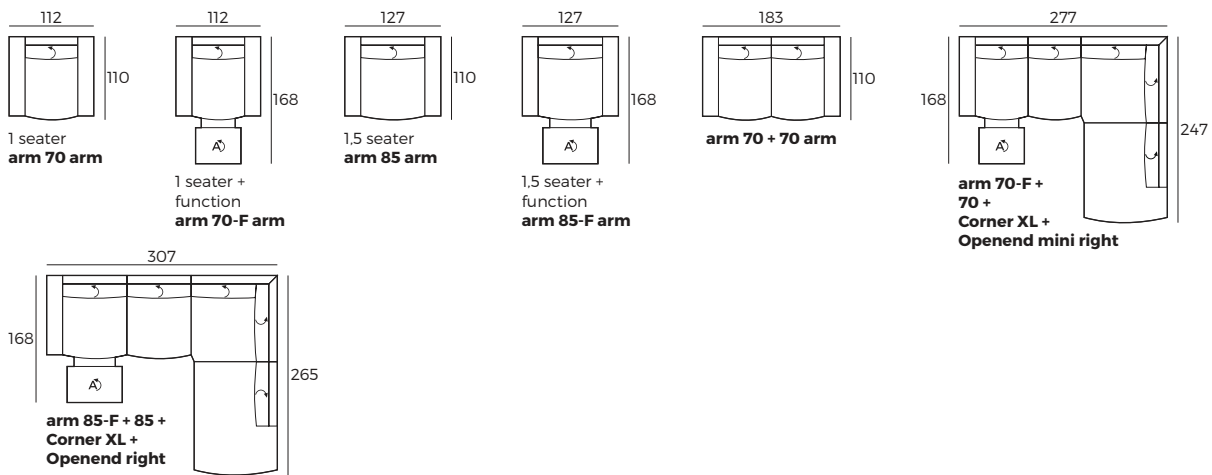
Scale 1:100



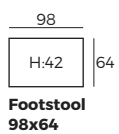
## Modules with armrest (Measurements with fully opened armrest)



## Combinations (Measurements with fully opened armrest)



## Accessories



↵ - manual; ⚡ - electrical \*F - single electric function

# More

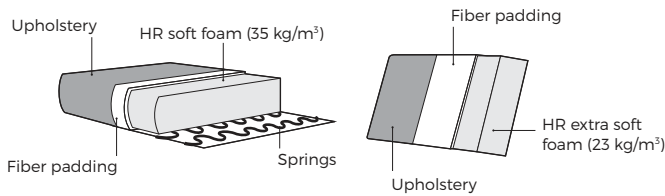


## VILMERS

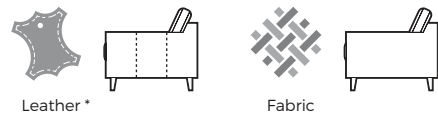
# More



## Comfort



## 1. Upholstery



\* Leather covers may require more stitches than fabric covers.

## 2. Armrests



## 3. Legs



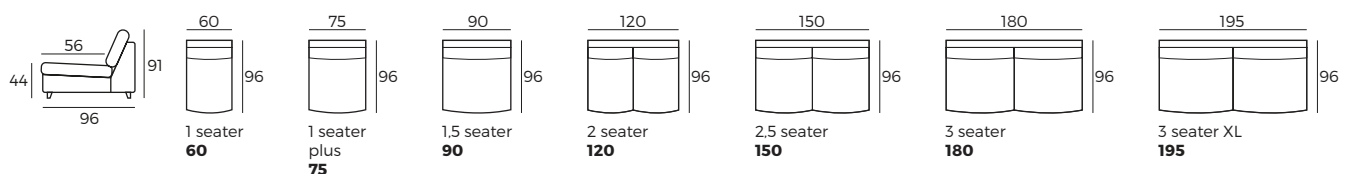
\* The height of all legs can be either 6 cm or 8 cm.

### IMPORTANT:

Upholstered furniture is handmade using soft materials therefore measurements may vary up to +/- 5 cm.  
Parts and sets shown in 2D drawings are left-sided. Parts and sets can be mirrored from left to right.  
For an additional fee, the sides of each individual part can be covered in fabric.

## Modules (Measurements with Grande armrest)

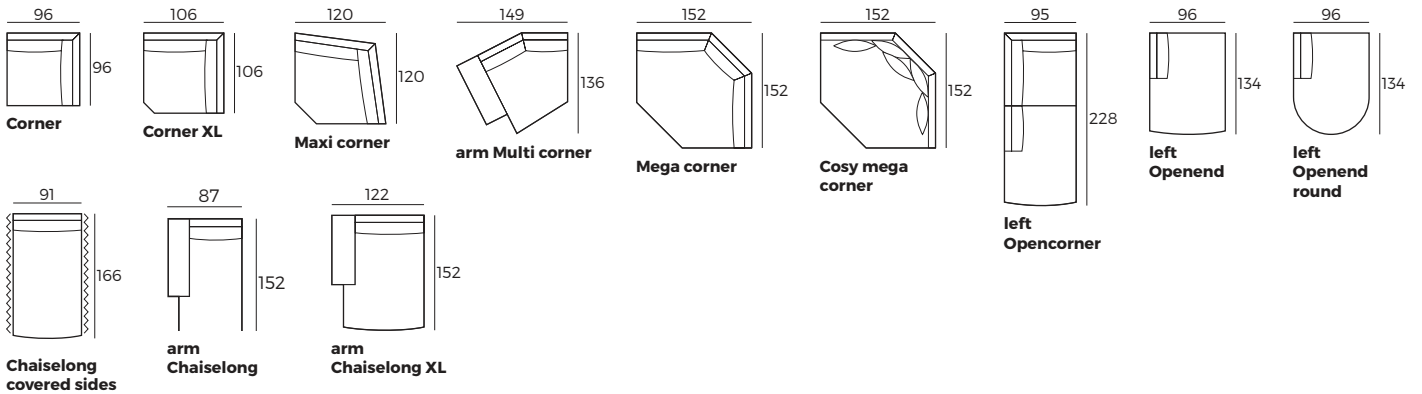
Scale 1:100



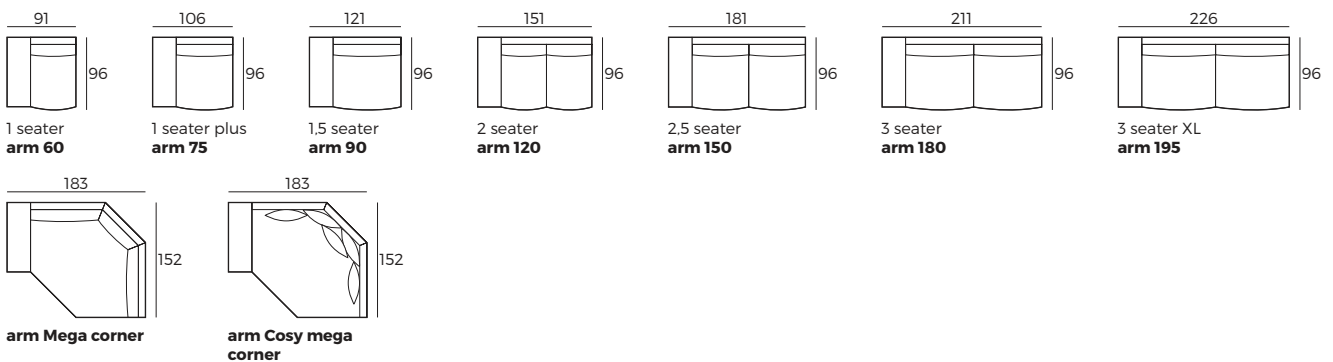
# More

## Modules (Measurements with Grande armrest)

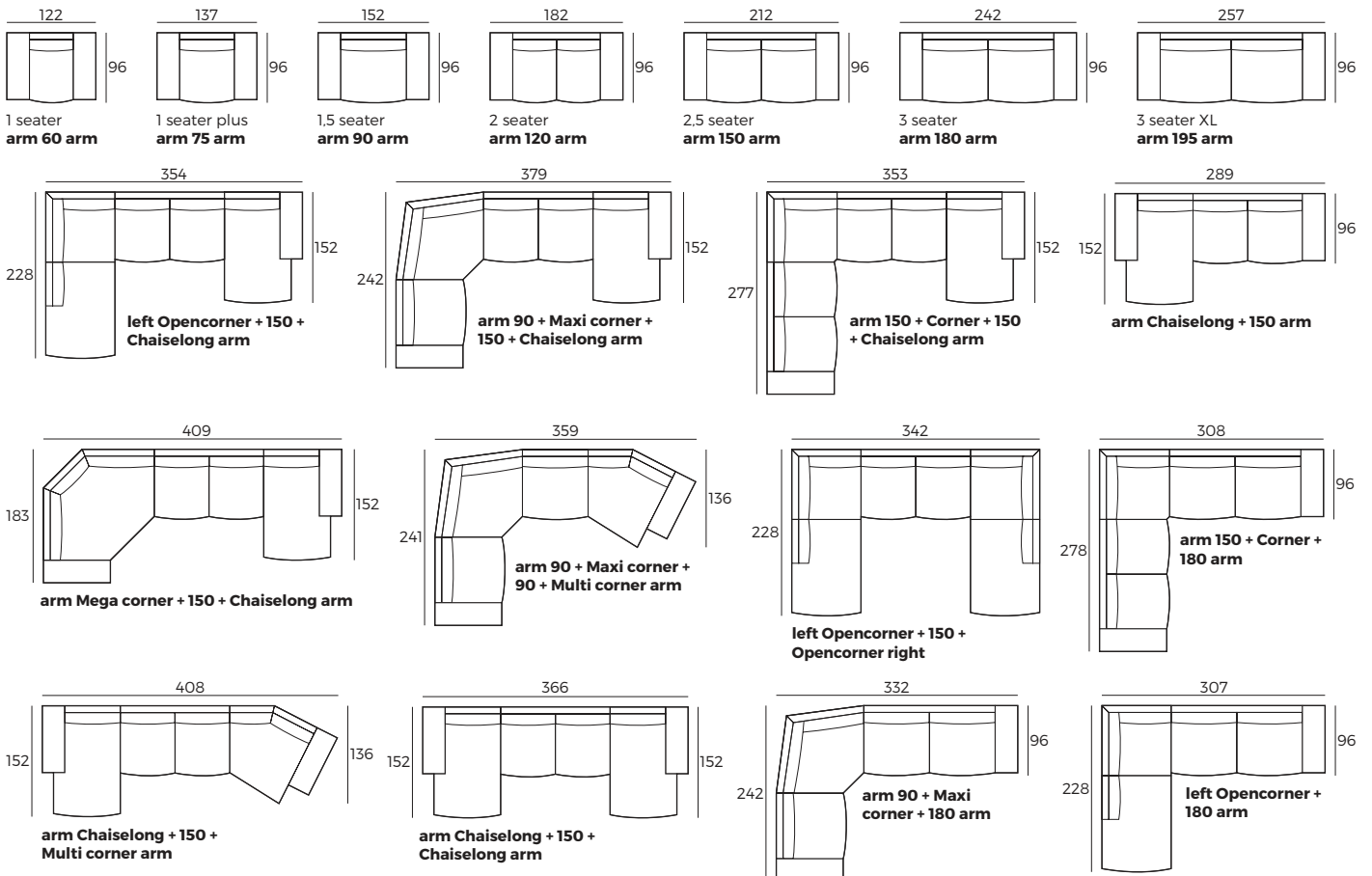
Scale 1:100



## Modules with armrest (Measurements with Grande armrest)



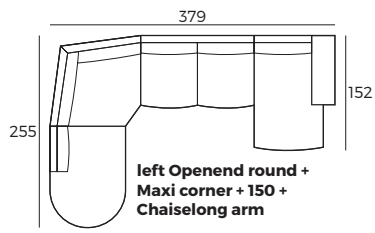
## Combinations (Measurements with Grande armrest)



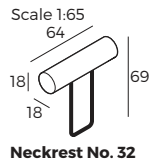
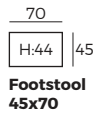
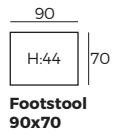
# More

## Combinations (Measurements with Grande armrest)

Scale 1:100



## Accessories





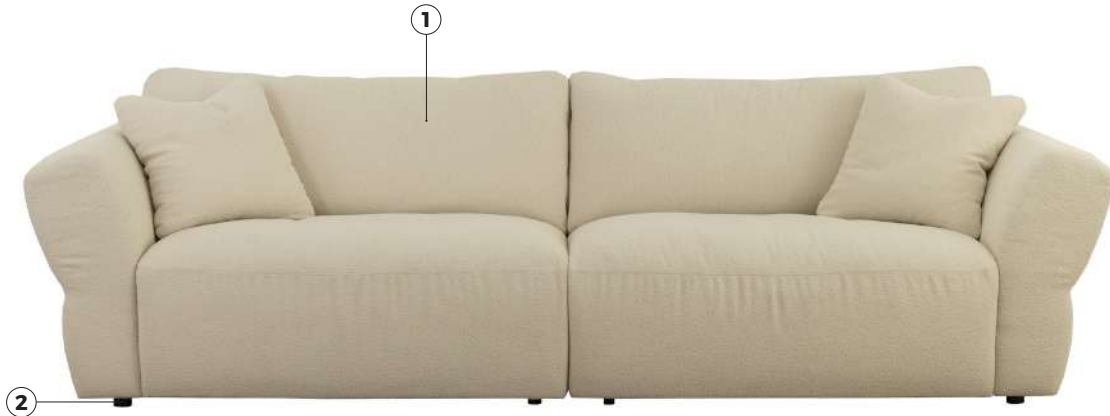
# Morga



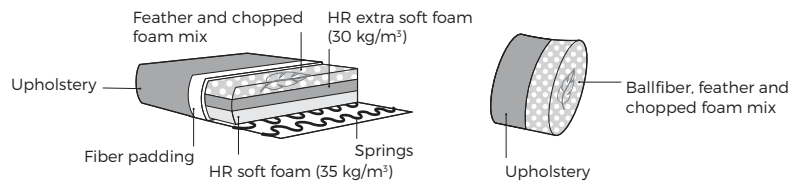
VILMERS



# Morga



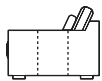
## Comfort



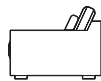
### 1. Upholstery



Leather



Fabric



\* Leather covers may require more stitches than fabric covers.

### 2. Armrests



**1. Morga**

W 32 x D 106 x H 66



**2. Moss**

W 35 x D 106 x H 66

### 3. Legs

4 cm



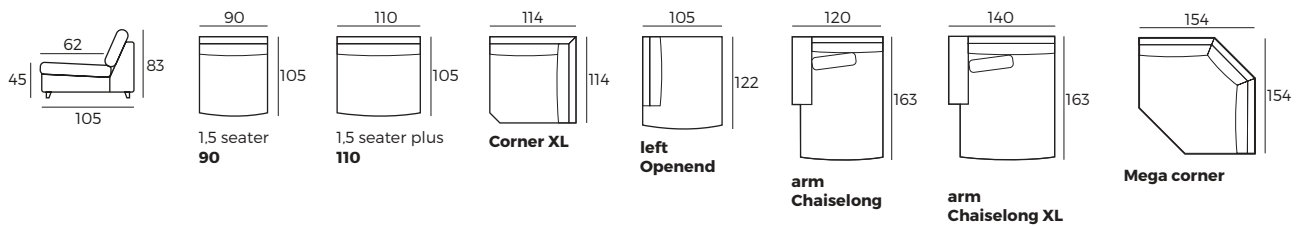
489 Plastic

#### IMPORTANT:

Upholstered furniture is handmade using soft materials therefore measurements may vary up to +/- 5 cm.  
Parts and sets shown in 2D drawings are left-sided. Parts and sets can be mirrored from left to right.

## Modules (Measurements with Morga armrest)

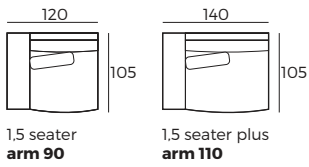
Scale 1:100



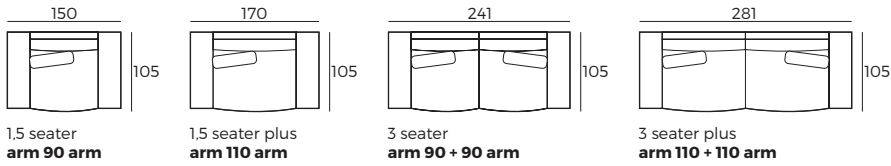
# Morga

## Modules with armrest (Measurements with Morga armrest)

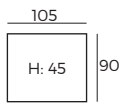
Scale 1:100



## Combinations (Measurements with Morga armrest)



## Accessories



**Footstool**  
**105x90**

# MOUND

by BÖTTCHER & KAYSER



VILMERS

[vilmers.com](http://vilmers.com)

## 1. REMOVABLE COVER



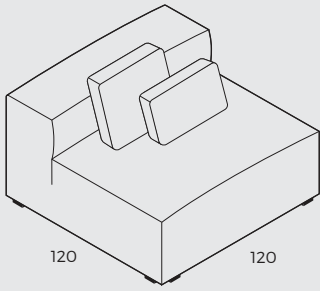
Rest Assured

\*Option to remove cover of every single part.

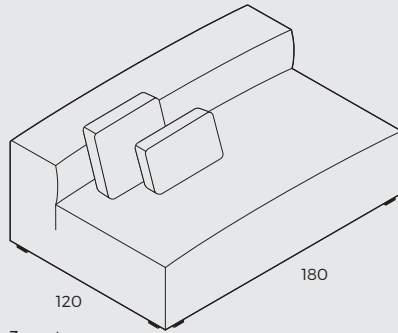
The Mound sofa is our new, loft style sofa designed by Böttcher & Kayser. This luxurious and sophisticated sofa has low reclining backrests, 120 cm deep lounge seating, fully foam covered frame with a feathered top for extra comfort and removable covers. Designed for comfort, made to last.

Scale 1:50

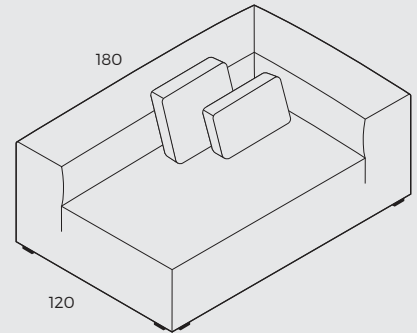
## 2. MODULES



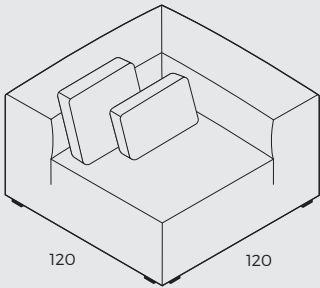
2 seater  
**120**



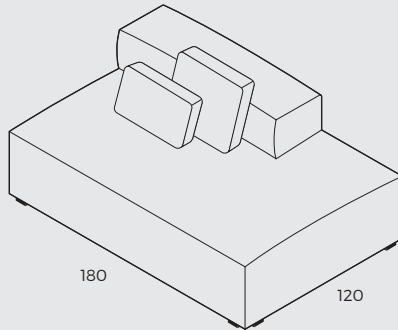
3 seater  
**180**



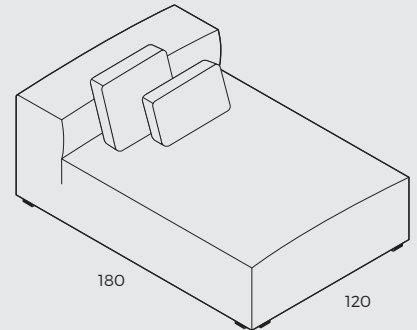
2.5 seater  
arm **150**



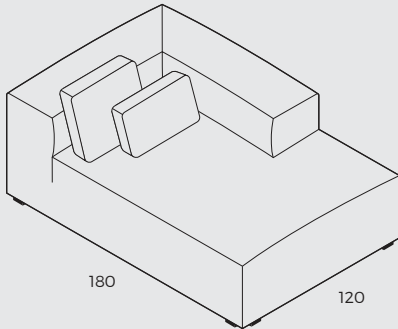
**Corner**



**Openend  
right**



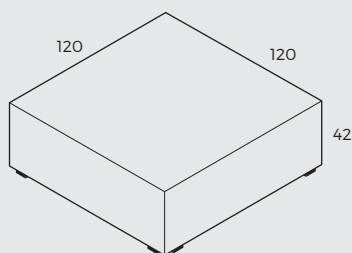
**Chaiselong  
covered sides**



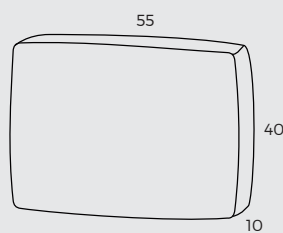
**Chaiselong arm**

Rest Assured

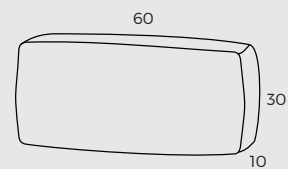
## 3. ACCESSORIES



**Footstool  
120x120**

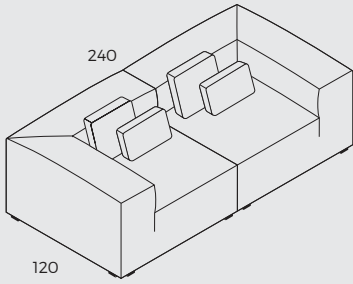


**Deco cushion  
55x40x10**

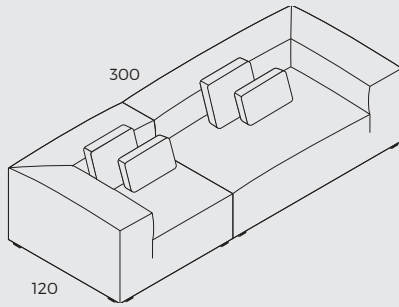


**Deco cushion  
60x30x10**

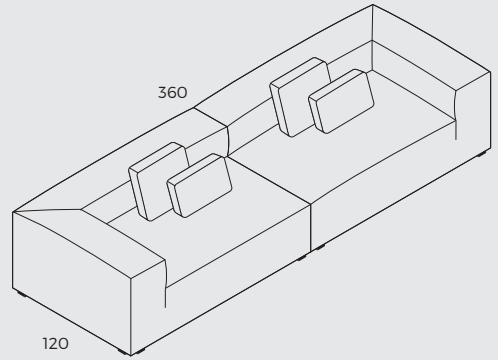
## 4. COMBINATIONS



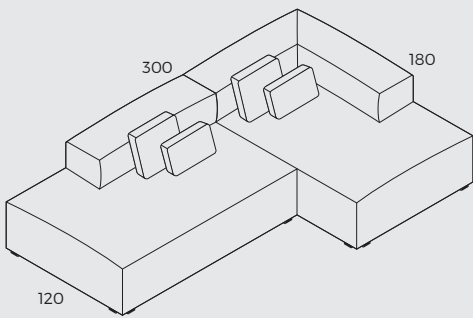
Corner + Corner



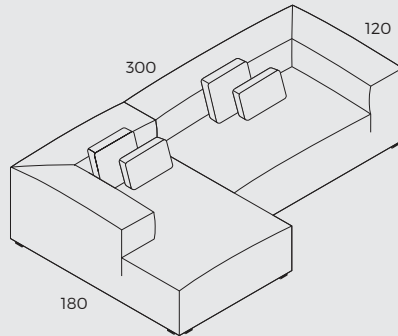
Corner + 150 arm



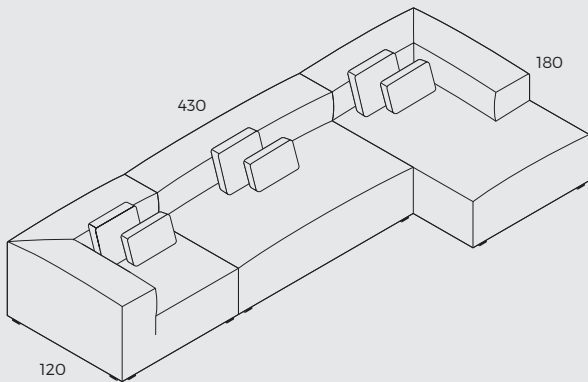
arm 150 + 150 arm



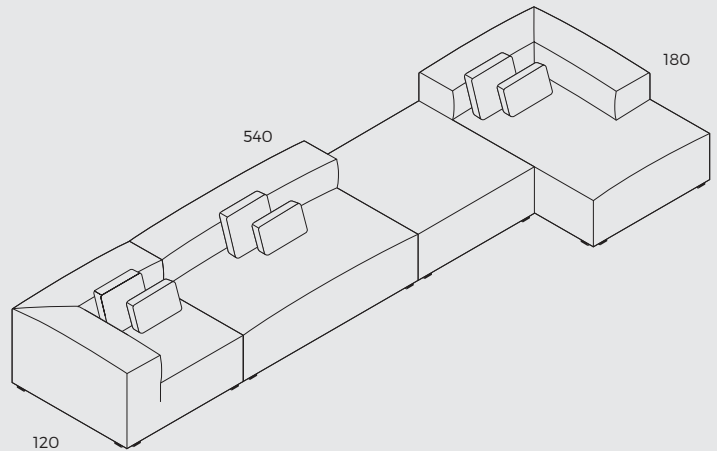
left Openend + Chaiselong arm



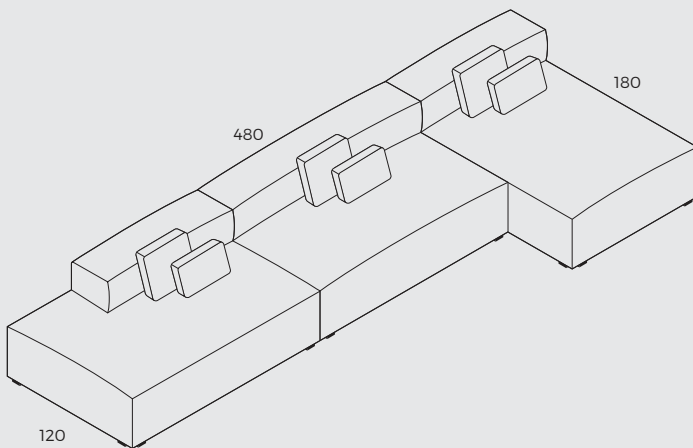
arm Chaiselong + 150 arm



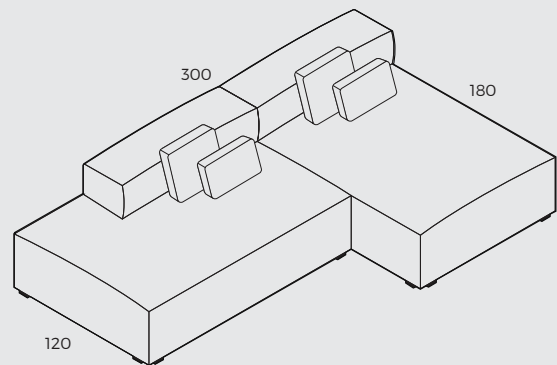
Corner + 180 + Chaiselong arm



Corner + 180 + Footstool 120x120 + Chaiselong arm



left Openend + 180 + Chaiselong covered sides

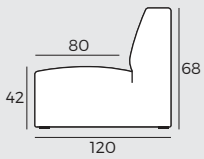


left Openend + Chaiselong covered sides



## 5. TECHNICAL DATA

### Measurements



### Legs



Plastic black  
3 cm

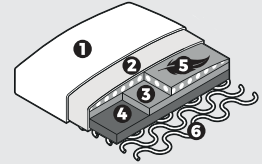
### Upholstery



Fabric

### Comfort

1. Upholstery.
2. Fiber padding.
3. HR extra soft foam (30 kg/m<sup>3</sup>).
4. HR soft foam (35 kg/m<sup>3</sup>).
5. Feather and chopped foam mix
6. Springs.



Rest Assured

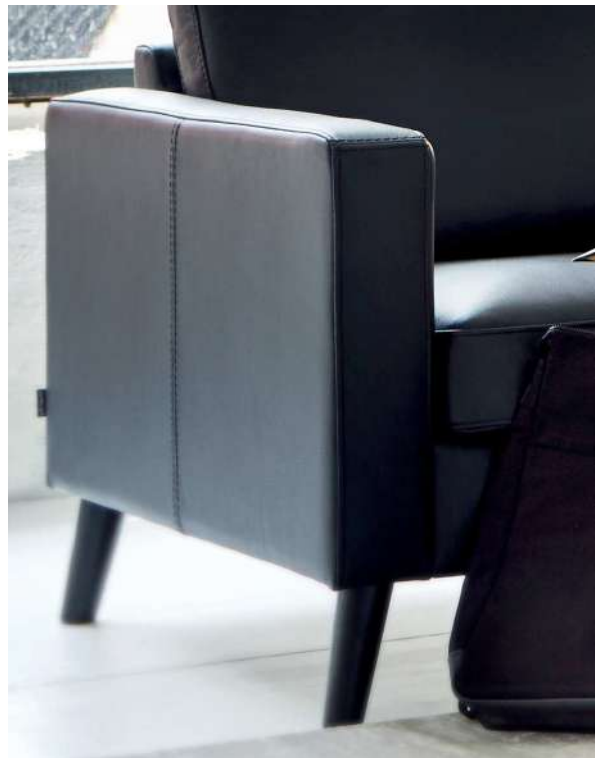
## 6. DESIGNERS



*"Design means everyday culture. It helps us to enjoy and simplify life. We are fascinated by the process that starts with an idea, becomes substance and hopefully results in a long and pleasurable use for its qualities. That's how we understand reasonability and sustainability."*

Berlin based designers  
**BÖTTCHER & KAYSER**

# Nordic plus

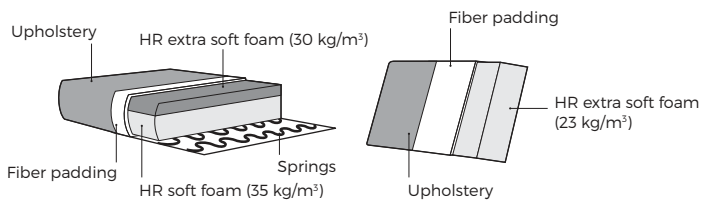


VILMERS

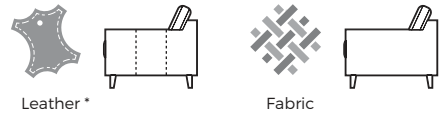
# Nordic plus



## Comfort



## 1. Upholstery



\* Leather covers may require more stitches than fabric covers.

## 2. Armrests



## 3. Legs

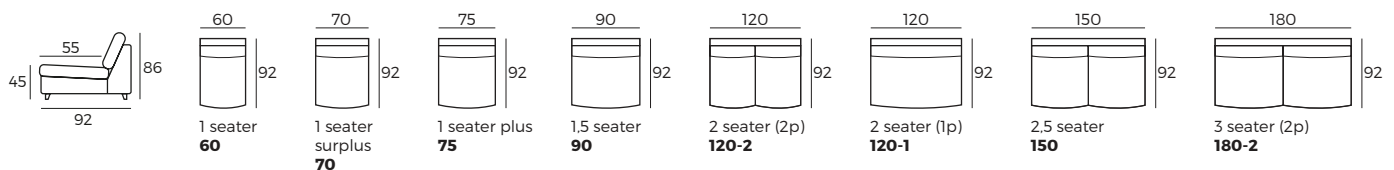


### IMPORTANT:

Upholstered furniture is handmade using soft materials therefore measurements may vary up to +/- 5 cm.  
Parts and sets shown in 2D drawings are left-sided. Parts and sets can be mirrored from left to right.  
For an additional fee, the sides of each individual part can be covered in fabric.

## Modules (Measurements with Share armrest)

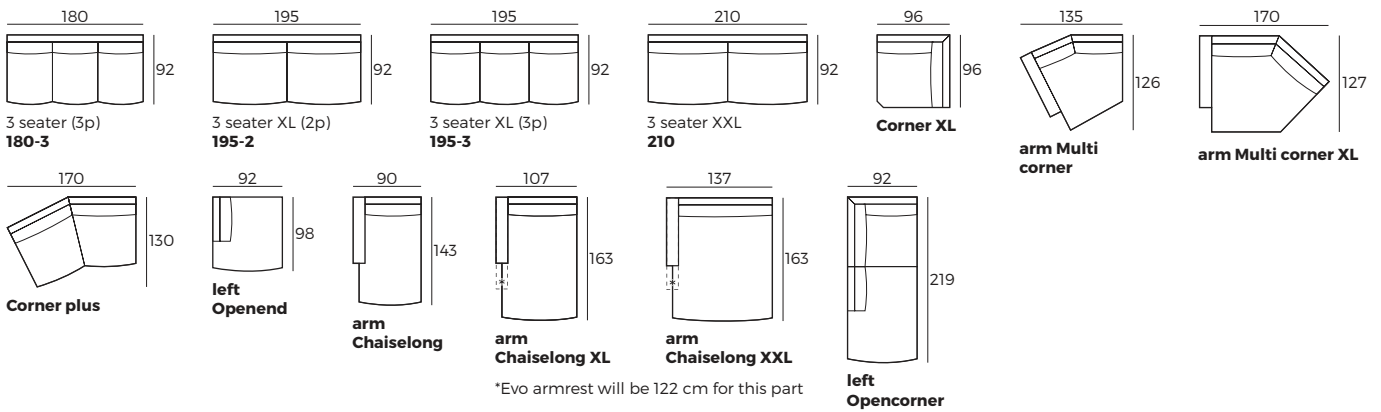
Scale 1:100



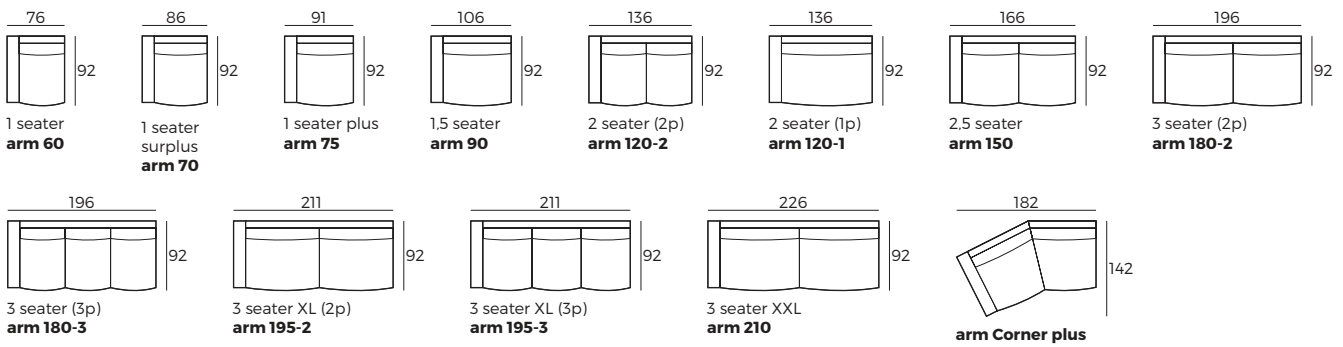
# Nordic plus

## Modules (Measurements with Share armrest)

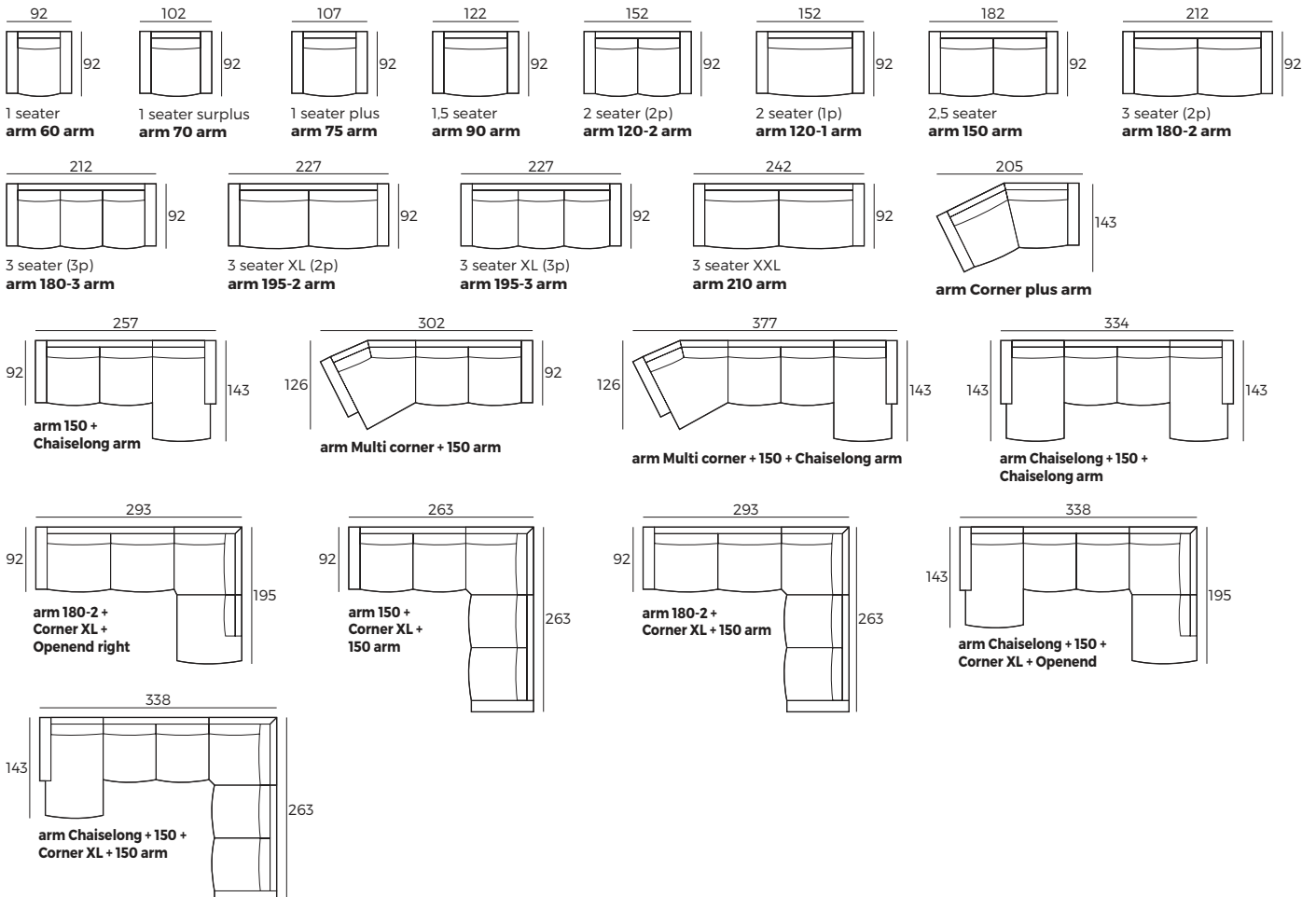
Scale 1:100



## Modules with armrest (Measurements with Share armrest)



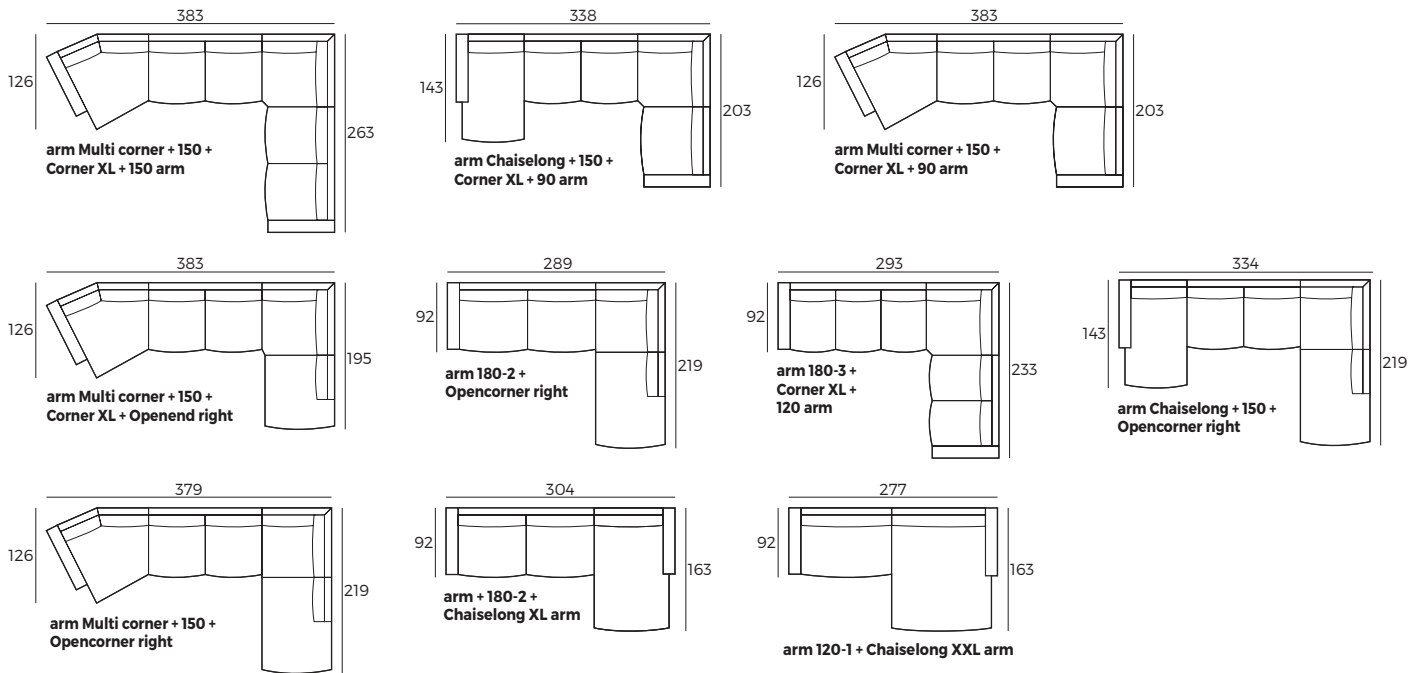
## Combinations (Measurements with Share armrest)



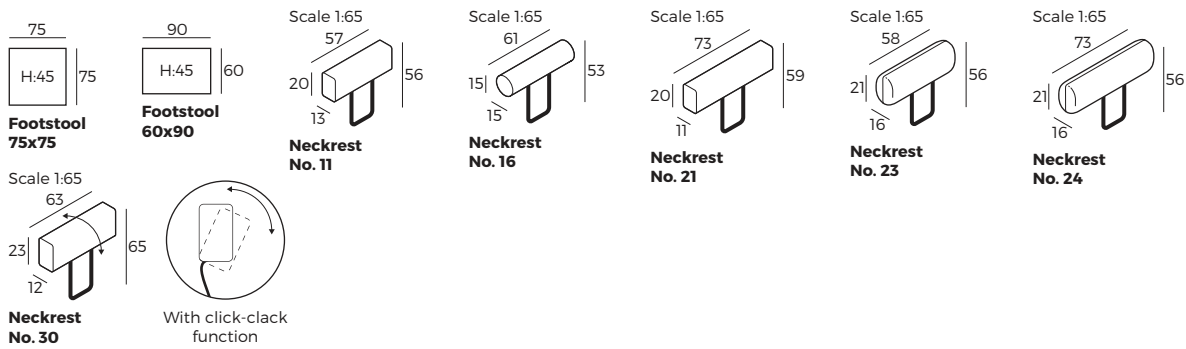
# Nordic plus

## Combinations (Measurements with Share armrest)

Scale 1:100

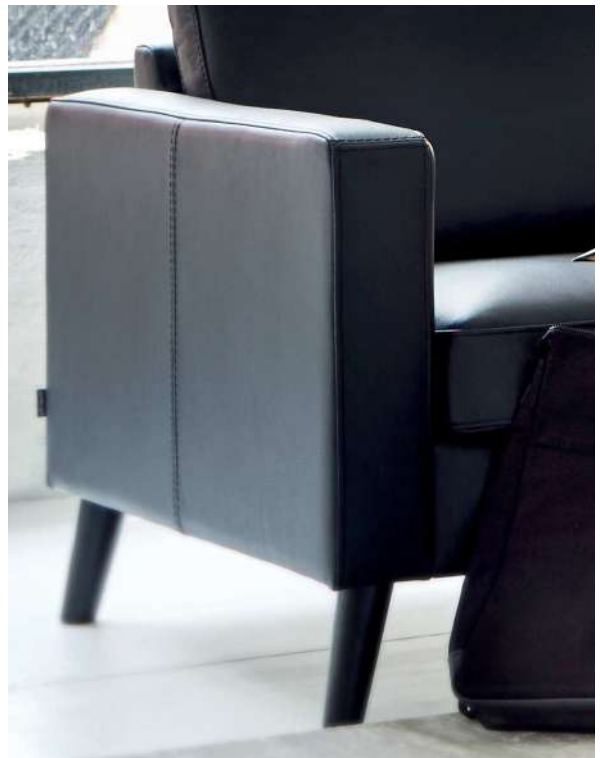


## Accessories





# Nordic



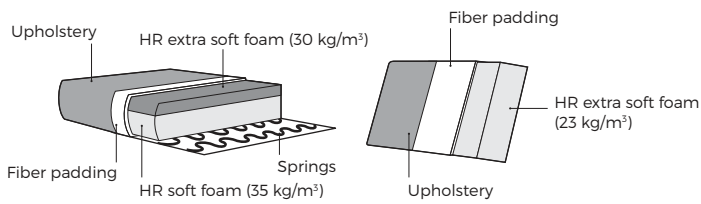
VILMERS



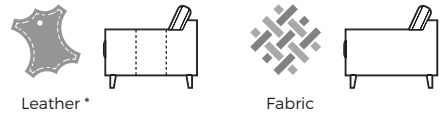
# Nordic



## Comfort



## 1. Upholstery



\* Leather covers may require more stitches than fabric covers.

## 2. Armrests



## 3. Legs

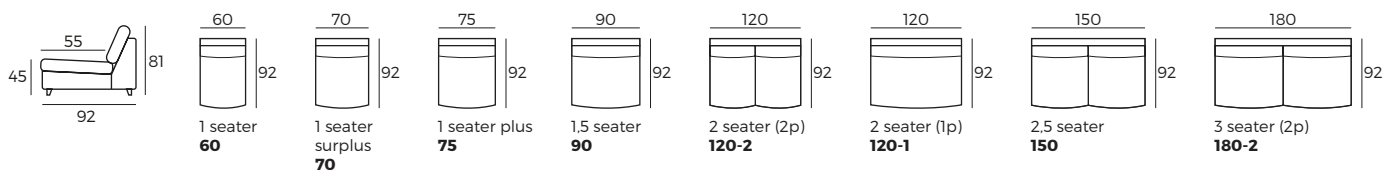


### IMPORTANT:

Upholstered furniture is handmade using soft materials therefore measurements may vary up to +/- 5 cm.  
Parts and sets shown in 2D drawings are left-sided. Parts and sets can be mirrored from left to right.  
For an additional fee, the sides of each individual part can be covered in fabric.

## Modules (Measurements with Share armrest)

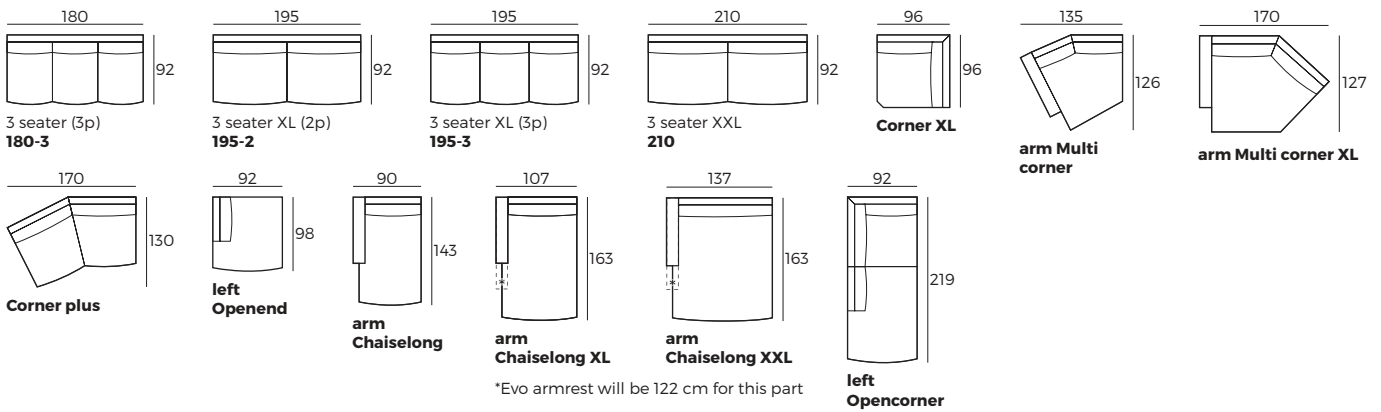
Scale 1:100



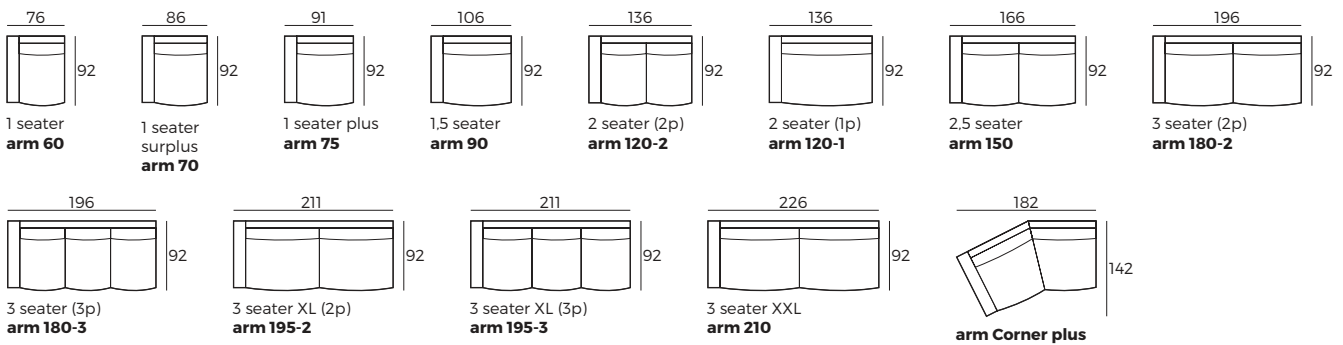
# Nordic

## Modules (Measurements with Share armrest)

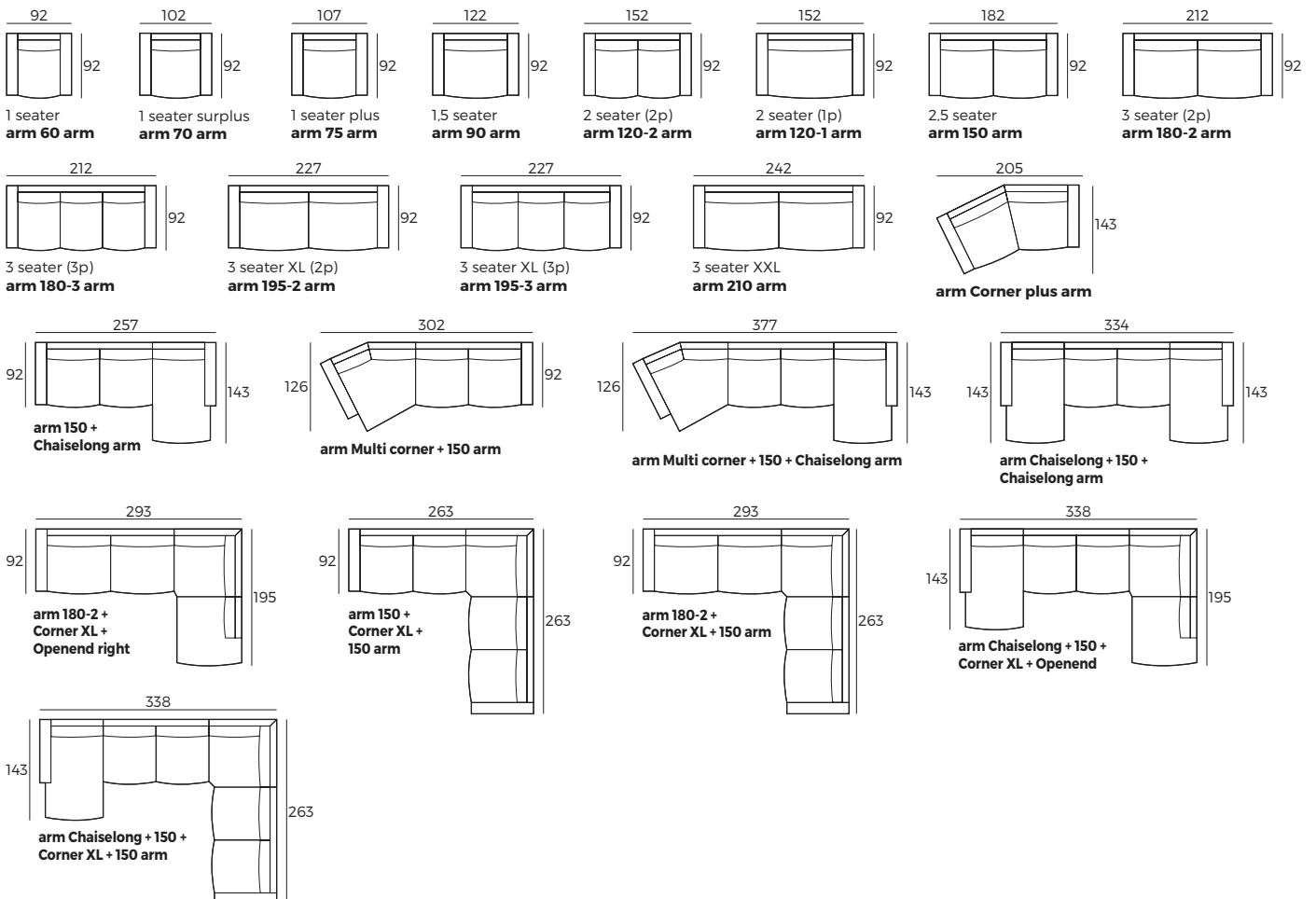
Scale 1:100



## Modules with armrest (Measurements with Share armrest)



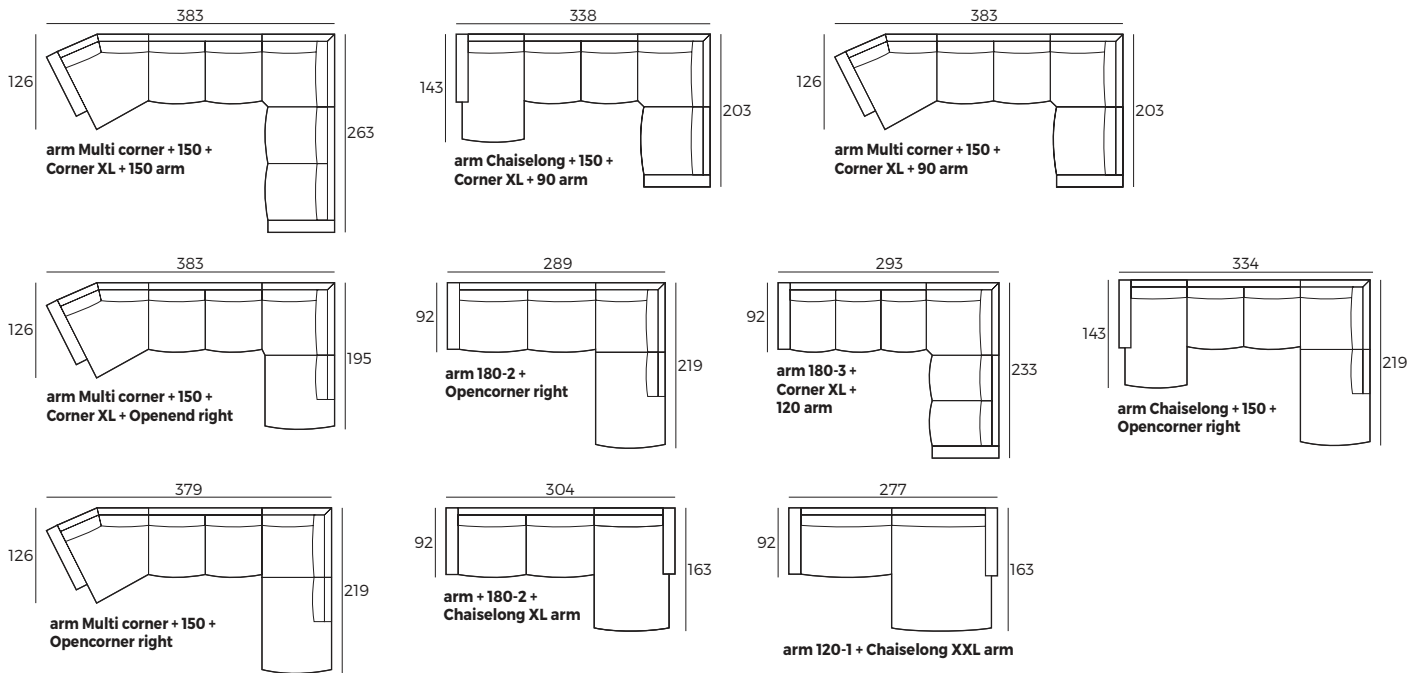
## Combinations (Measurements with Share armrest)



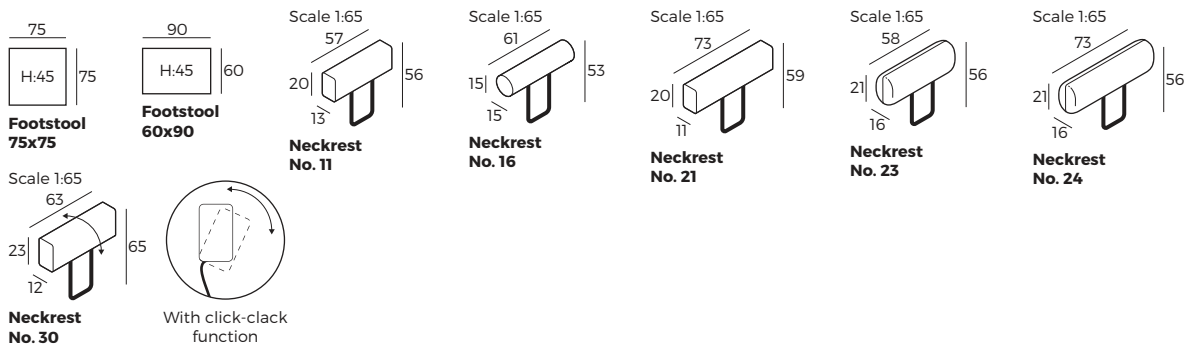
# Nordic

## Combinations (Measurements with Share armrest)

Scale 1:100



## Accessories



# Odense

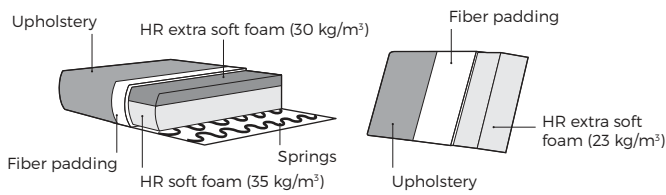


VILMERS

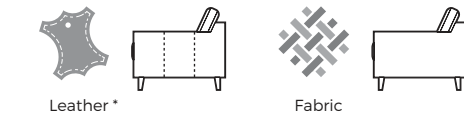
# Odense



## Comfort



## 1. Upholstery



\* Leather covers may require more stitches than fabric covers.

## 2. Legs



### IMPORTANT:

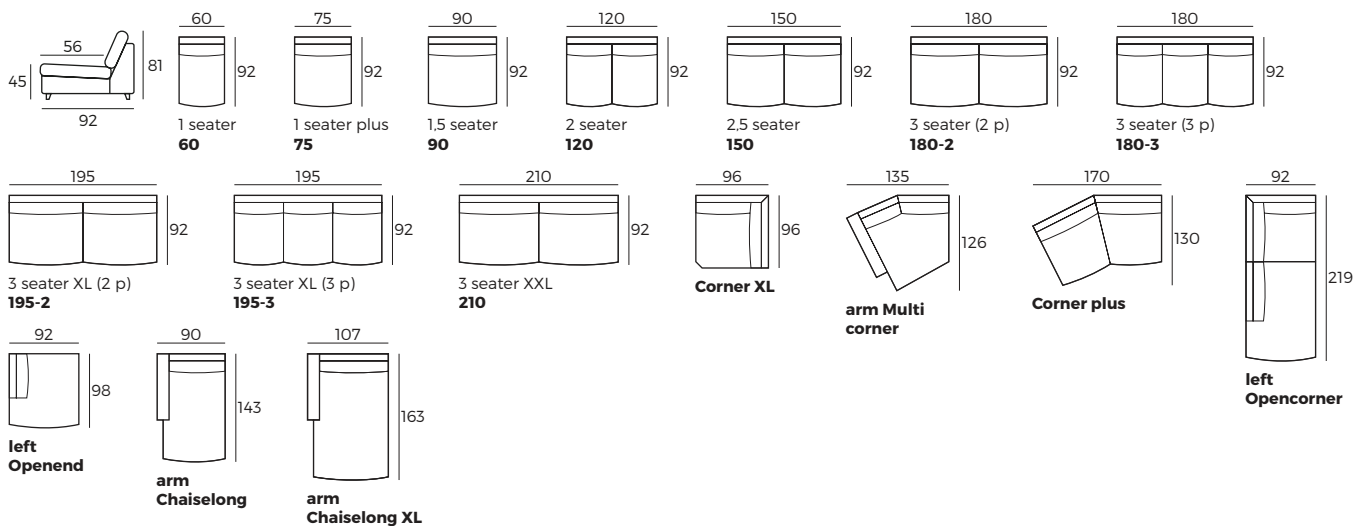
Upholstered furniture is handmade using soft materials therefore measurements may vary up to +/- 5 cm.

Parts and sets shown in 2D drawings are left-sided. Parts and sets can be mirrored from left to right.

For an additional fee, the sides of each individual part can be covered in fabric.

## Modules

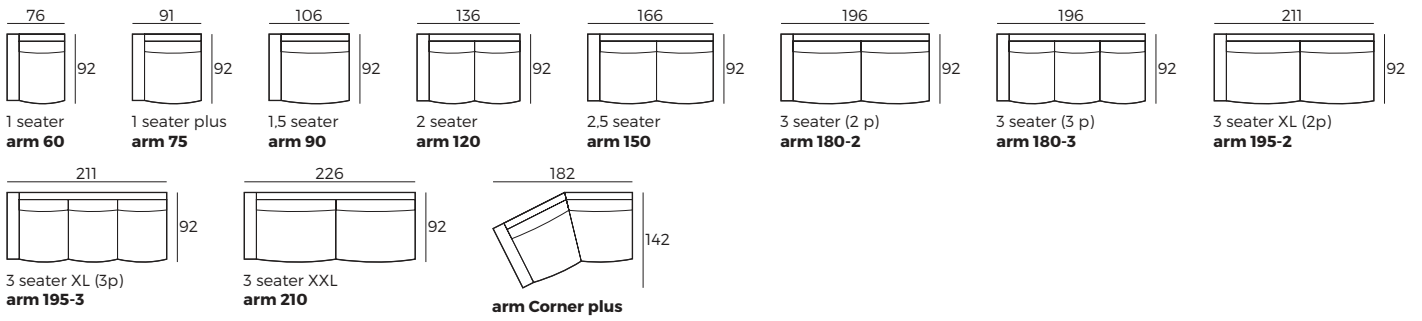
Scale 1:100



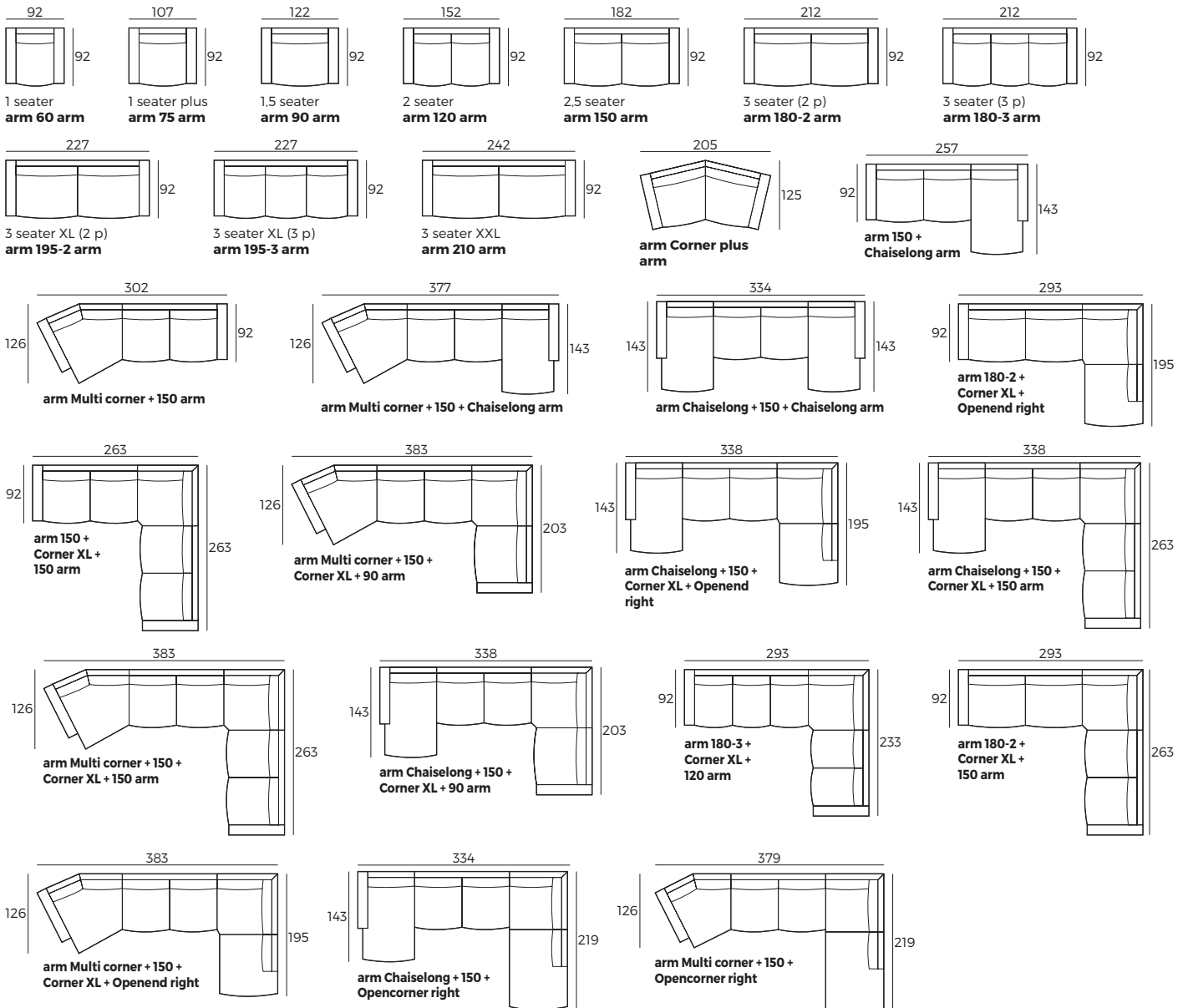
# Odense

## Modules with armrest

Scale 1:100

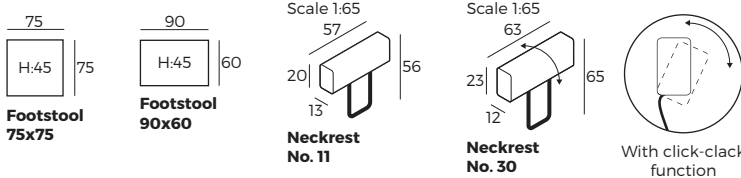


## Combinations



## Accessories

Scale 1:100





# Pebble

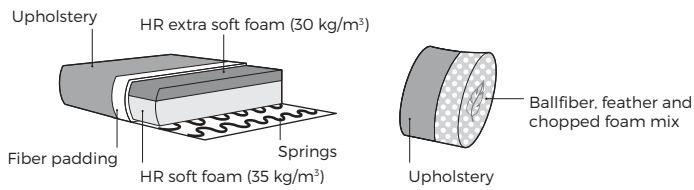


VILMERS

# Pebble



## Comfort



## 1. Upholstery



## 2. Legs

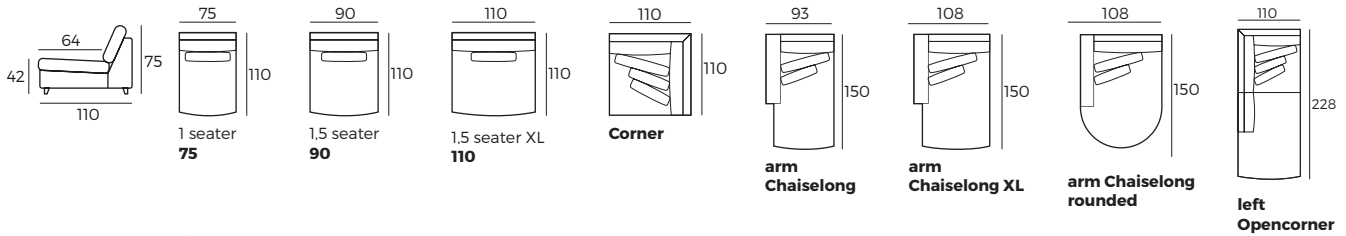


### IMPORTANT:

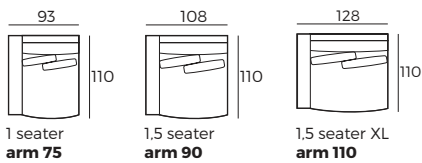
Upholstered furniture is handmade using soft materials therefore measurements may vary up to **+/- 5 cm**.  
Parts and sets shown in 2D drawings are left-sided. Parts and sets can be mirrored from left to right.

## Modules

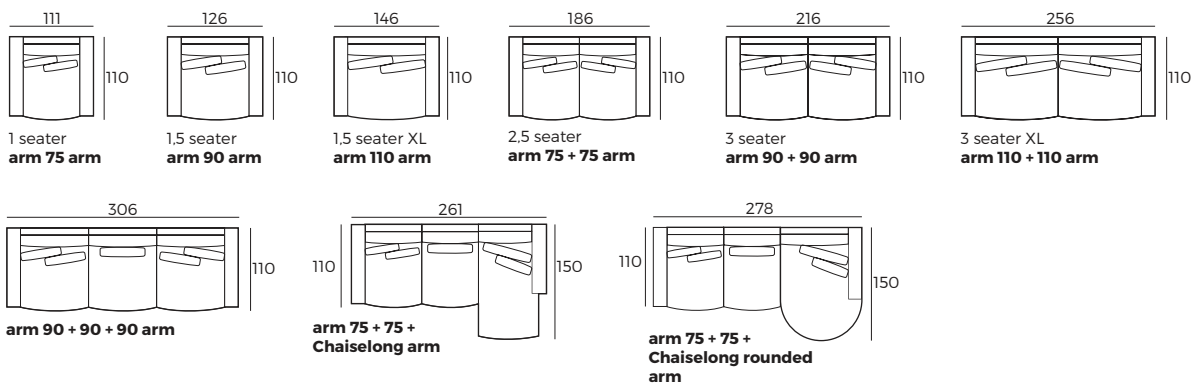
Scale 1:100



## Modules with armrest



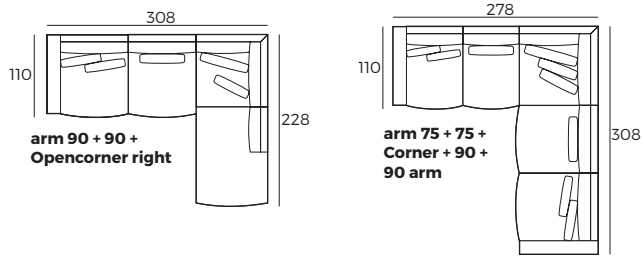
## Combinations



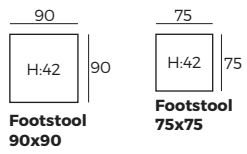
# Pebble

## Combinations

Scale 1:100



## Accessories



# Pony

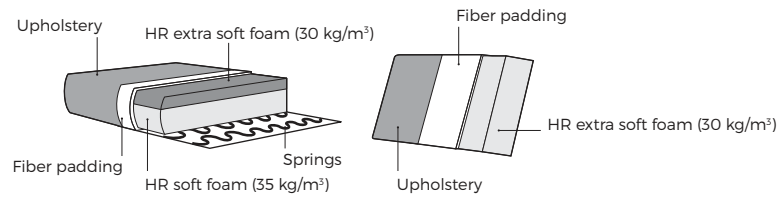


VILMERS

# Pony



## Comfort



### 1. Upholstery

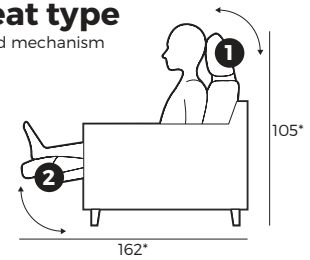


\* Leather covers may require more stitches than fabric covers.

### 2. Headrest & seat type

\*Measures with fully opened mechanism

- 1 Manual ↶
- 2 Electrical ⚡

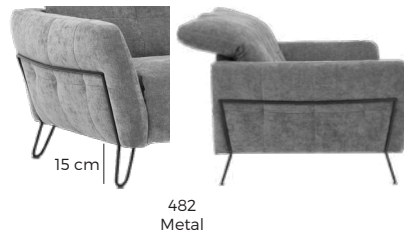


### 3. Bi-Color option

- Color A
- Color B



### 4. Legs

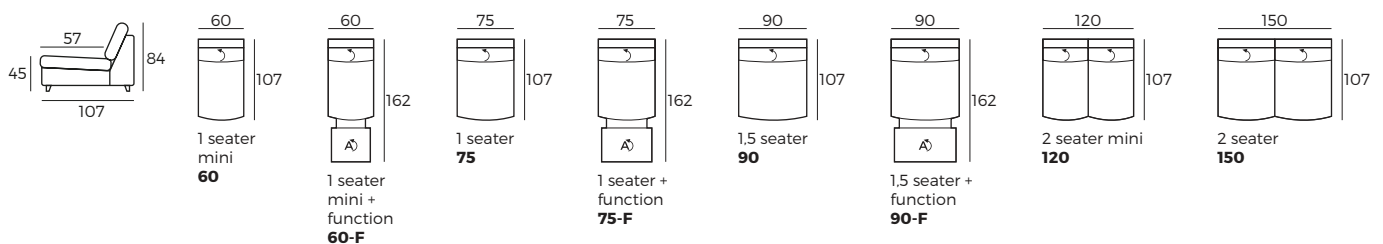


#### IMPORTANT:

Upholstered furniture is handmade using soft materials therefore measurements may vary up to +/- 5 cm.  
Parts and sets shown in 2D drawings are left-sided. Parts and sets can be mirrored from left to right.

## Modules

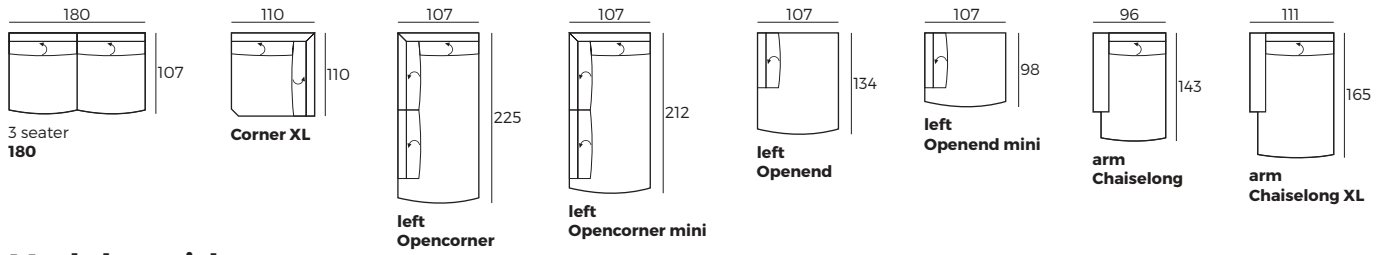
Scale 1:100



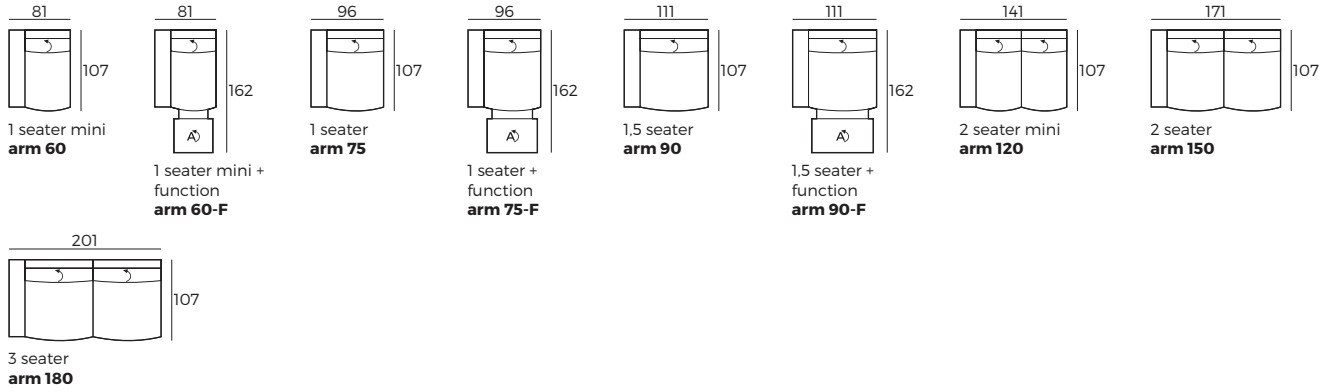
# Pony

Scale 1:100

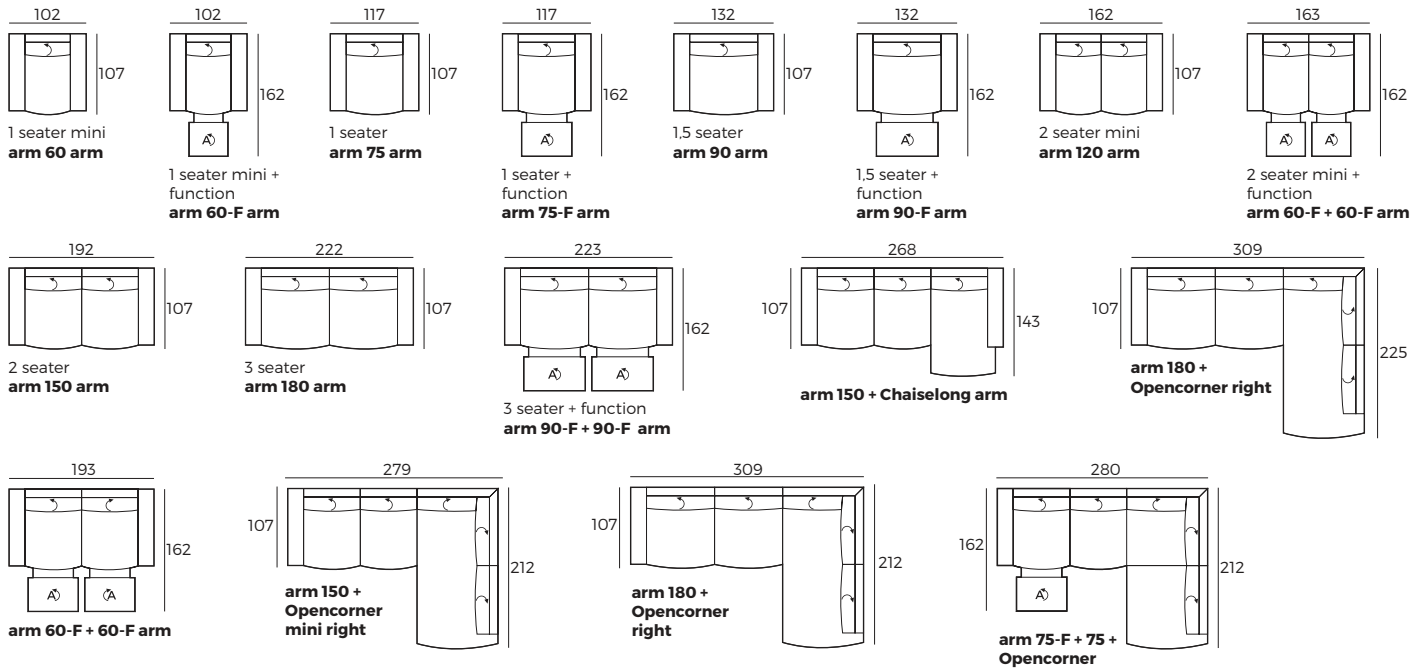
## Modules



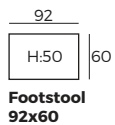
## Modules with armrest



## Combinations



## Accessories



∩ - manual; Ⓐ - electrical \*F - single electric function



# Rolf



VILMERS

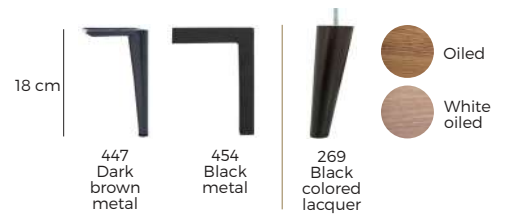
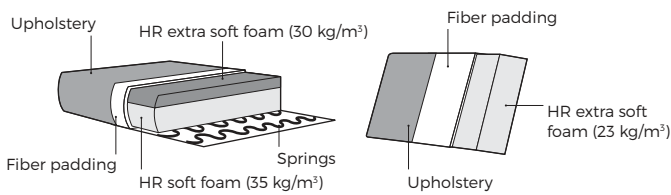
# Rolf



## Comfort

## 1. Upholstery

## 2. Legs

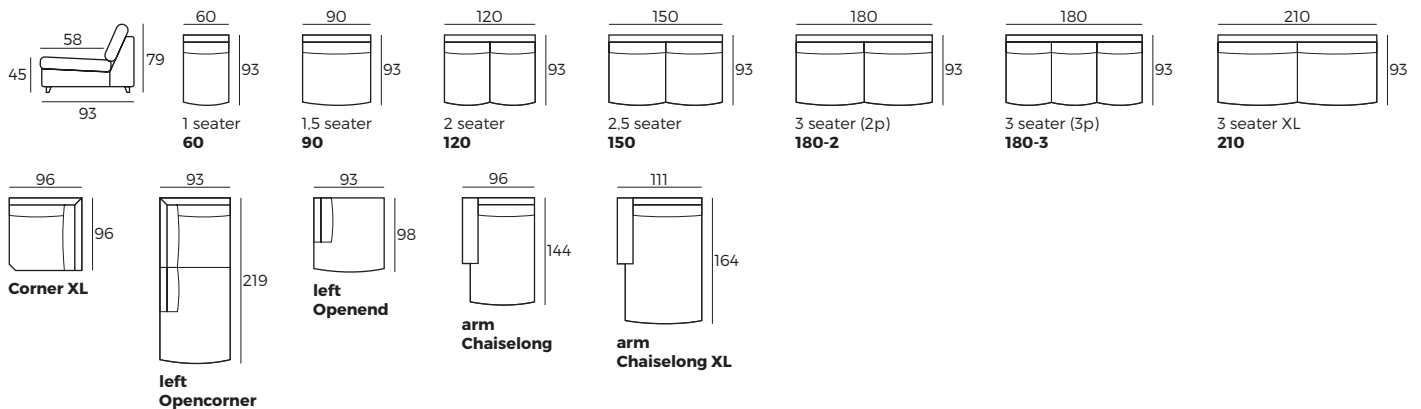


### IMPORTANT:

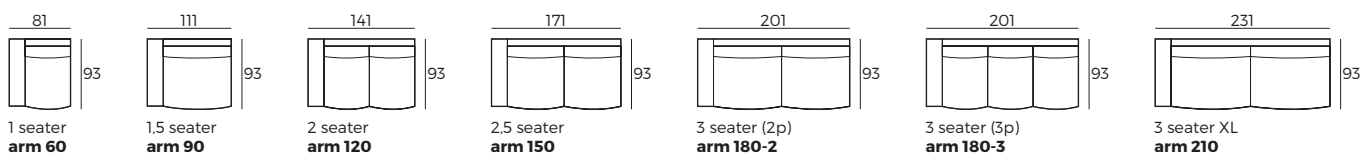
Upholstered furniture is handmade using soft materials therefore measurements may vary up to +/- 5 cm.  
Parts and sets shown in 2D drawings are left-sided. Parts and sets can be mirrored from left to right.

## Modules

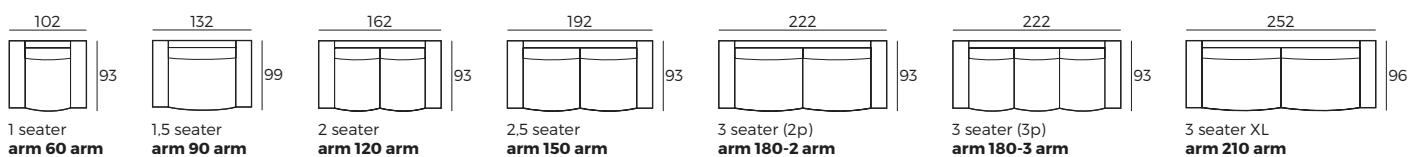
Scale 1:100



## Modules with armrest



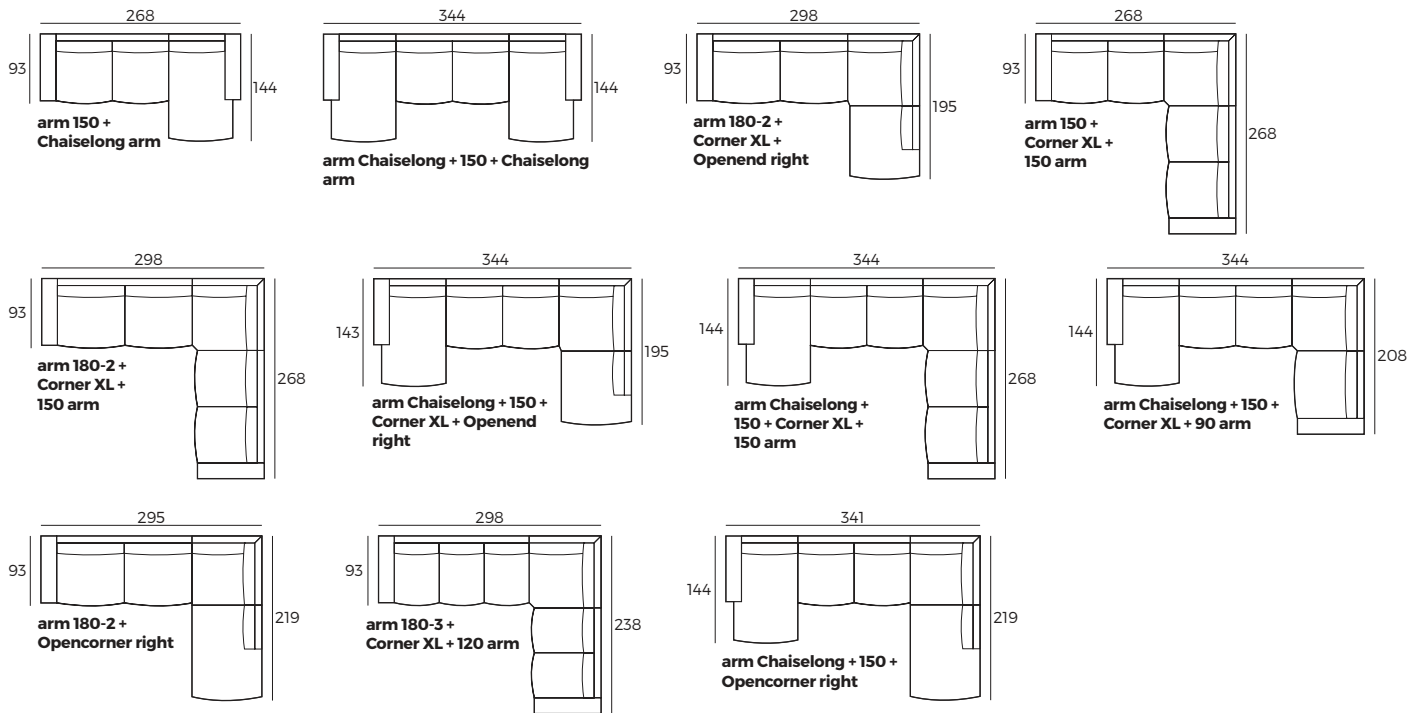
## Combinations



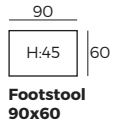
# Rolf

## Combinations

Scale 1:100



## Accessories



# Sally



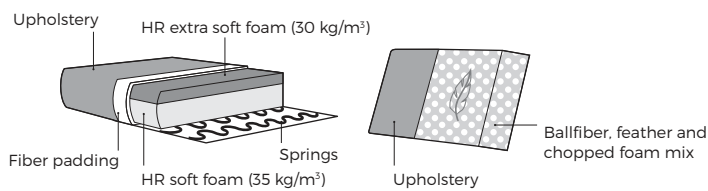
VILMERS



# Sally



## Comfort



## 1. Upholstery



Fabric

## 2. Legs

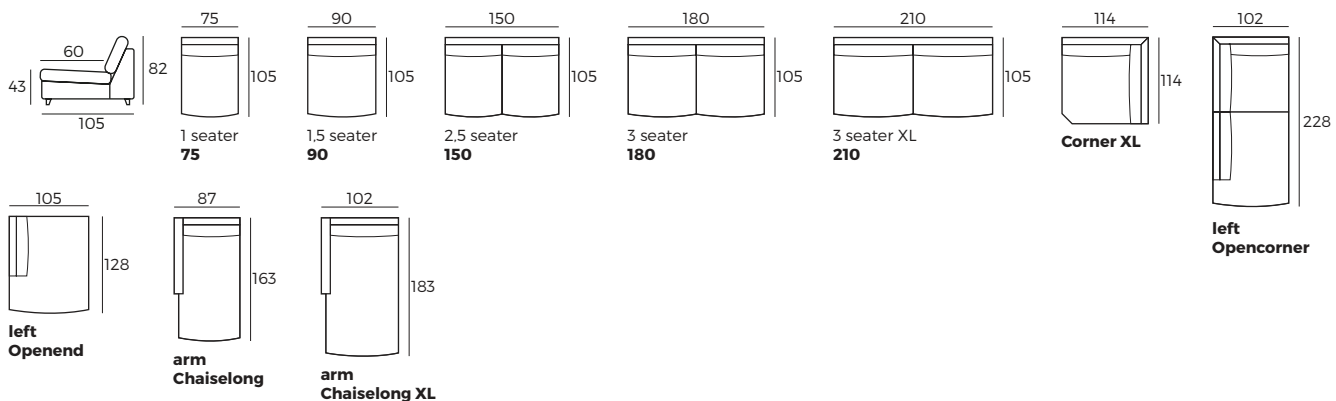


### IMPORTANT:

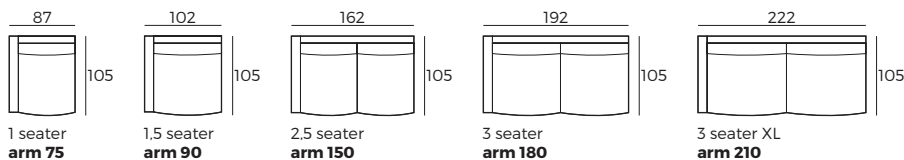
Upholstered furniture is handmade using soft materials therefore measurements may vary up to +/- 5 cm.  
Parts and sets shown in 2D drawings are left-sided. Parts and sets can be mirrored from left to right.

## Modules

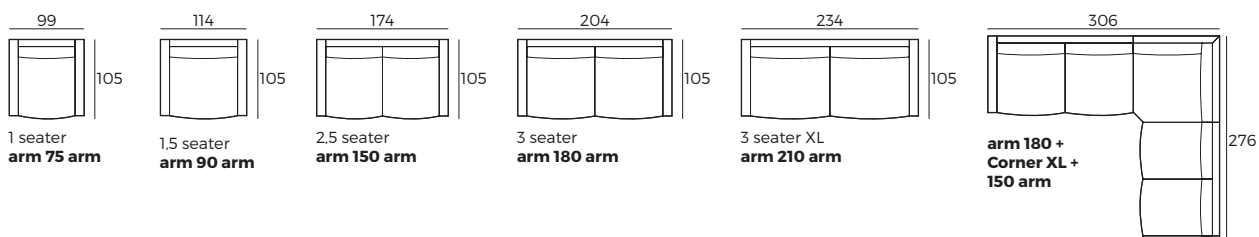
Scale 1:100



## Modules with armrest



## Combinations

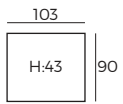


# Sally

## Accessories

---

Scale 1:100



**Footstool**  
**103x90**



# San Francisco

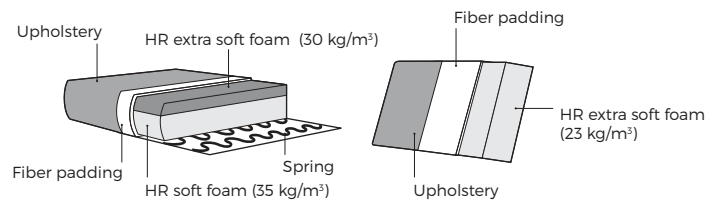


VILMERS

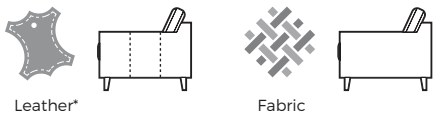
# San Francisco



## Comfort



## 1. Upholstery



\* Leather covers may require more stitches than fabric covers.

## 2. Armrest



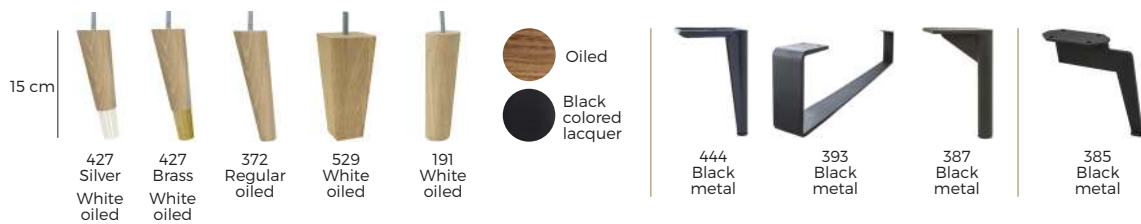
**Classy**  
W 17 x D 93 x H 54

**Funk**  
W 31 x D 93 x H 38

## Armrest Funk function



## 3. Legs

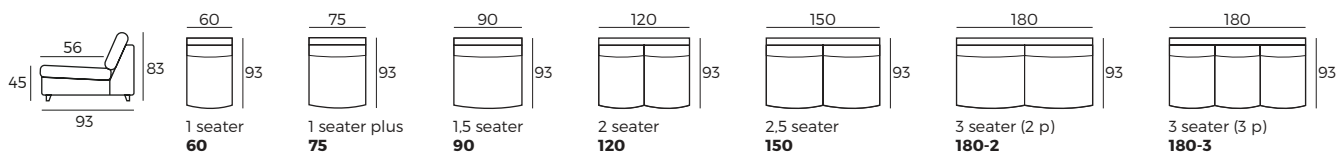


### IMPORTANT:

Upholstered furniture is handmade using soft materials therefore measurements may vary up to +/- 5 cm.  
Parts and sets shown in 2D drawings are left-sided. Parts and sets can be mirrored from left to right.

## Modules (Measurements with Funk armrest)

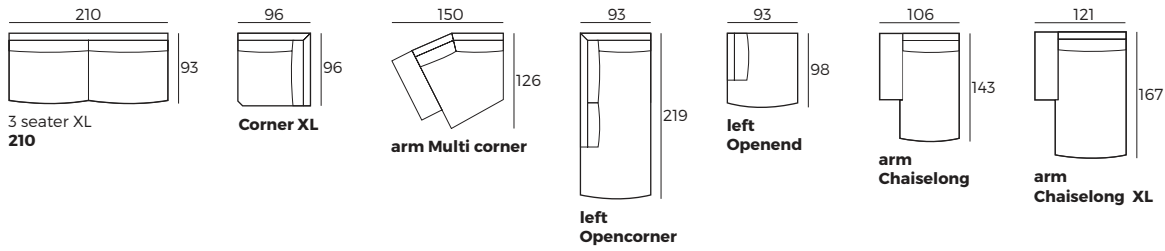
Scale 1:100



# San Francisco

## Modules (Measurements with Funk armrest)

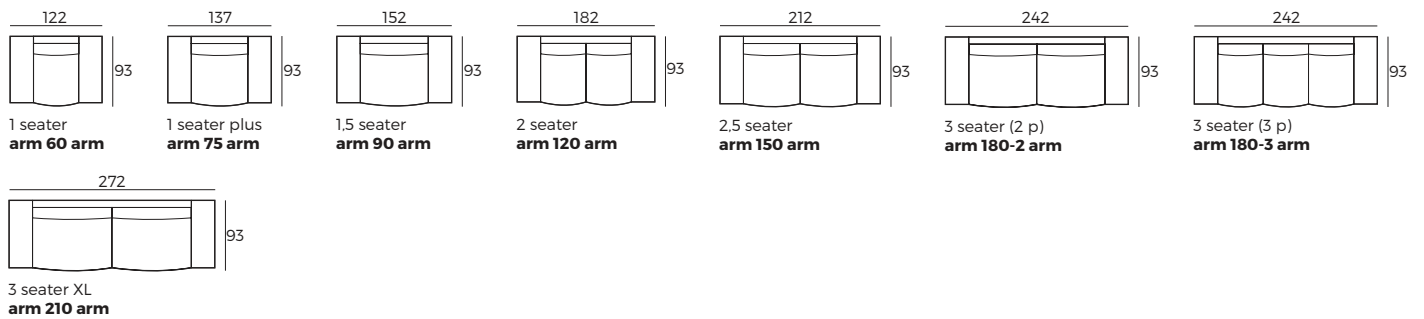
Scale 1:100



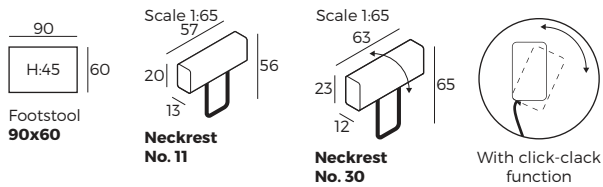
## Modules with armrest (Measurements with Funk armrest)



## Combinations (Measurements with Funk armrest)



## Accessories



# Scandy



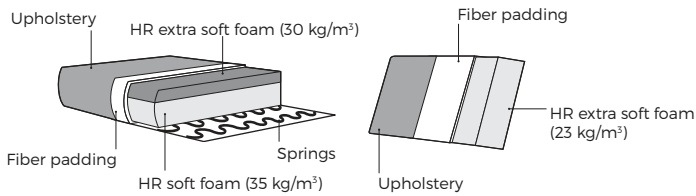
VILMERS



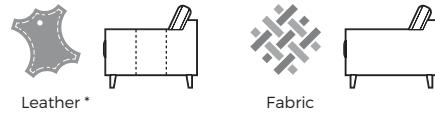
# Scandy



## Comfort



## 1. Upholstery



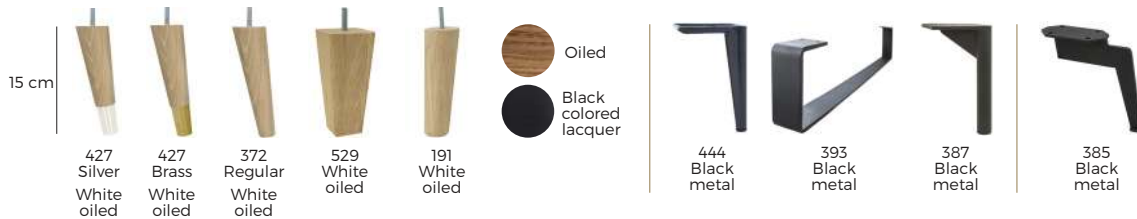
\* Leather covers may require more stitches than fabric covers.

## 2. Armrests



\*Not suitable for chaiselong

## 3. Legs

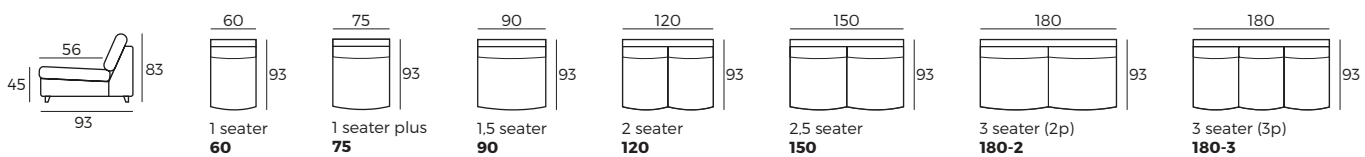


### IMPORTANT:

Upholstered furniture is handmade using soft materials therefore measurements may vary up to +/- 5 cm.  
Parts and sets shown in 2D drawings are left-sided. Parts and sets can be mirrored from left to right.

## Modules (Measurements with Share armrest)

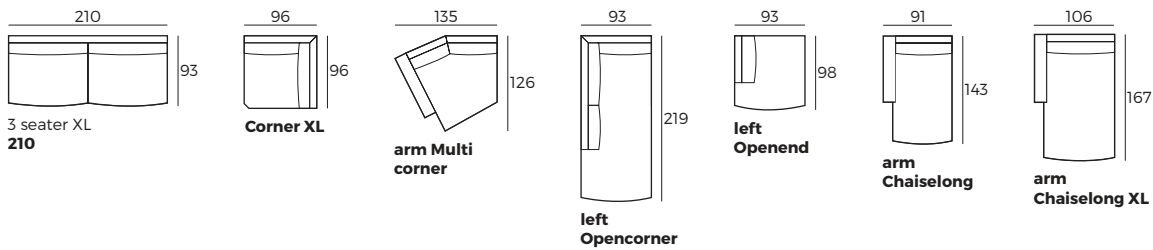
Scale 1:100



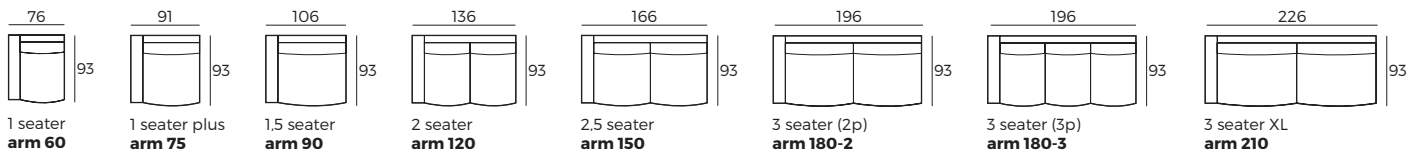
# Scandy

## Modules (Measurements with Share armrest)

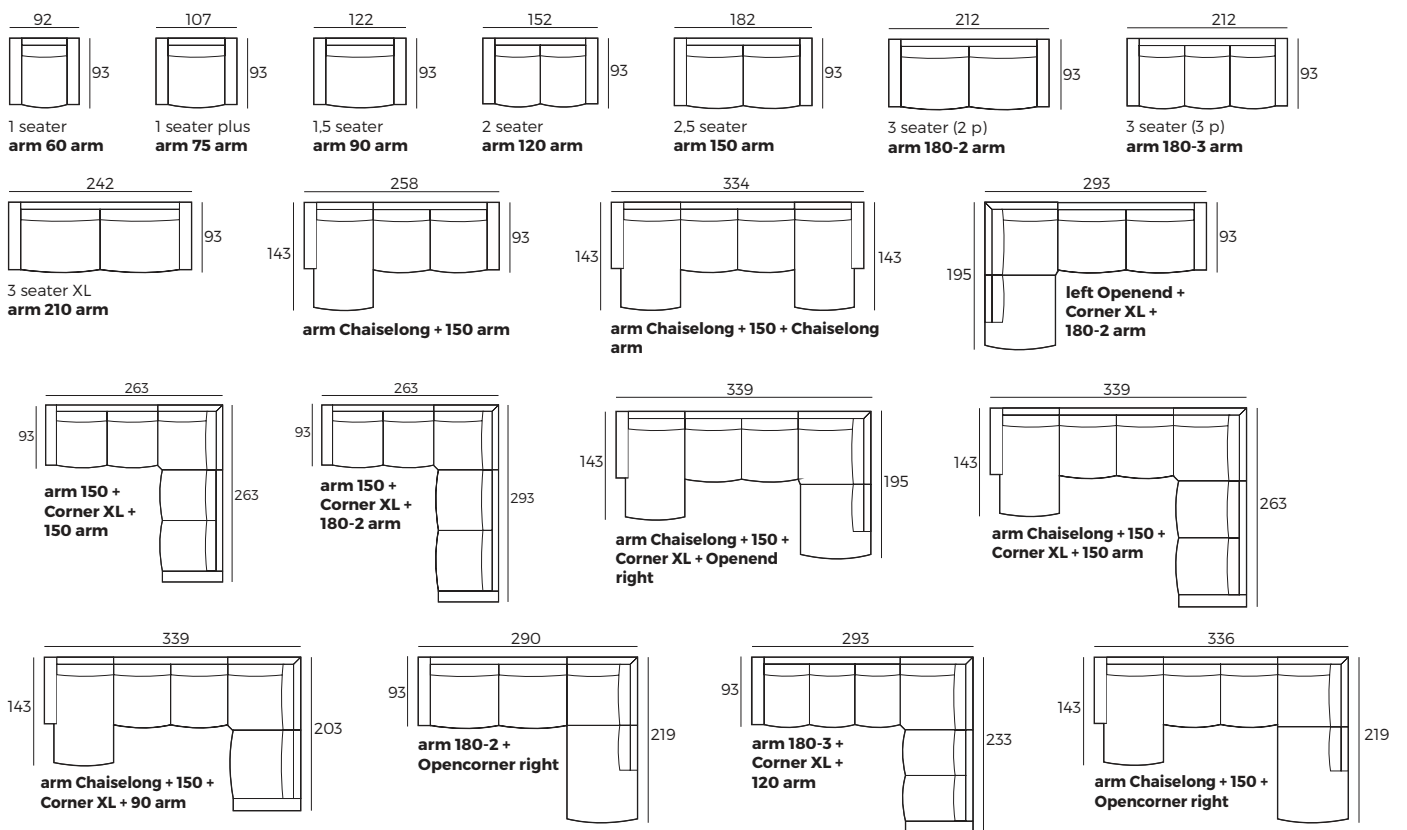
Scale 1:100



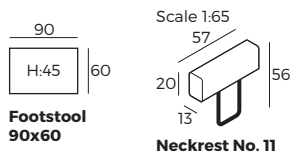
## Modules with armrest (Measurements with Share armrest)



## Combinations (Measurements with Share armrest)



## Accessories





# Shiny

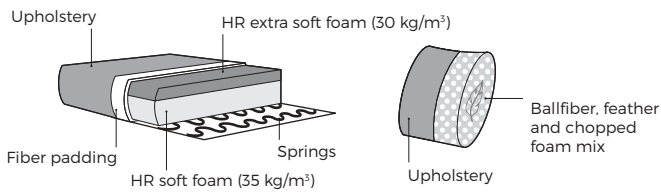


VILMERS

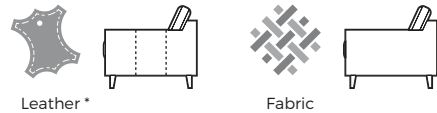
# Shiny



## Comfort

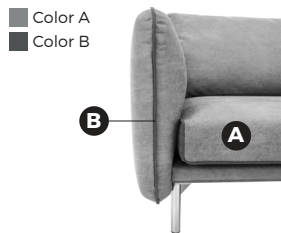


## 1. Upholstery



\* Leather covers may require more stitches than fabric covers.

## 2. Bi-Color option



## 3. Legs

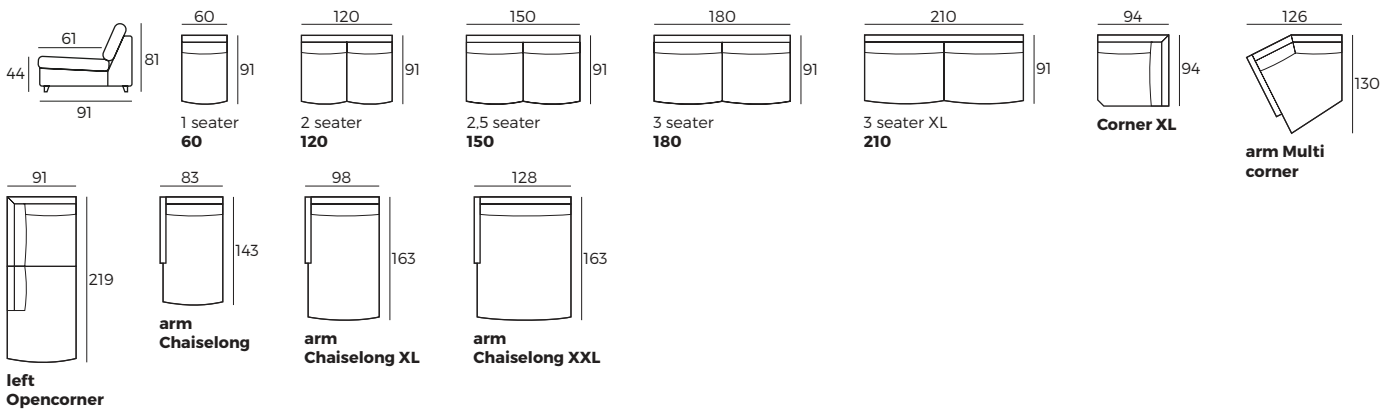


### IMPORTANT:

Upholstered furniture is handmade using soft materials therefore measurements may vary up to +/- 5 cm.  
Parts and sets shown in 2D drawings are left-sided. Parts and sets can be mirrored from left to right.

## Modules

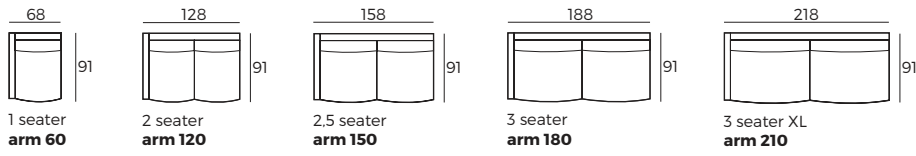
Scale 1:100



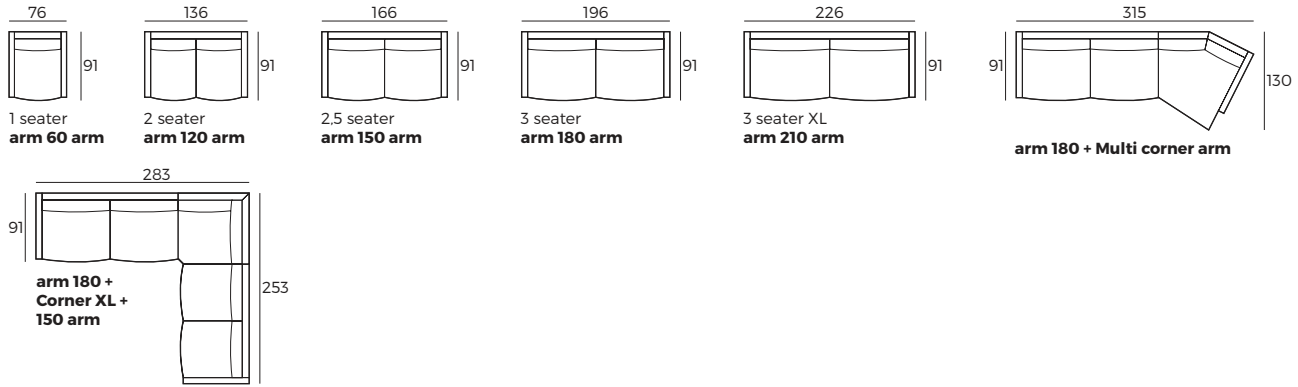
# Shiny

## Modules with armrest

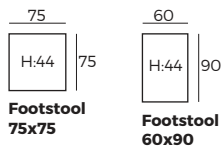
Scale 1:100



## Combinations



## Accessories



# Slim

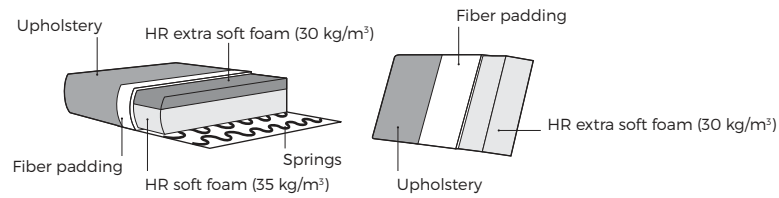


VILMERS

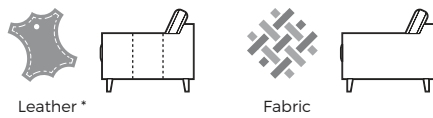
# Slim



## Comfort



### 1. Upholstery

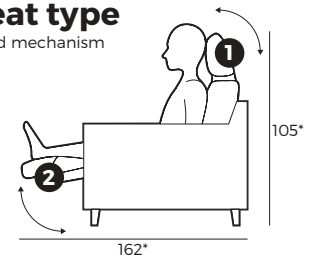


\* Leather covers may require more stitches than fabric covers.

### 2. Headrest & seat type

\* Measures with fully opened mechanism

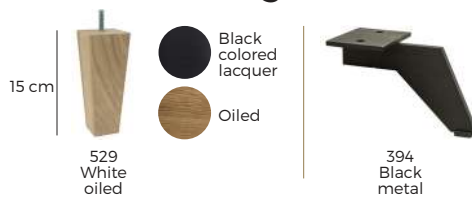
- 1 Manual ↶
- 2 Electrical ⚡



### 3. Bi-Color option



### 4. Legs

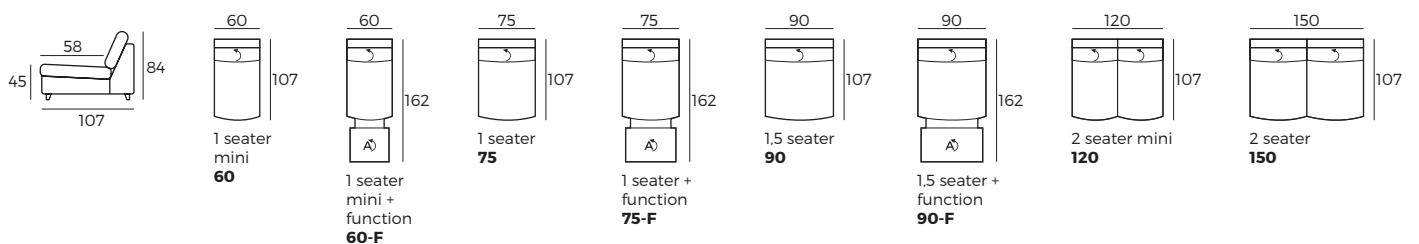


#### IMPORTANT:

Upholstered furniture is handmade using soft materials therefore measurements may vary up to +/- 5 cm.  
Parts and sets shown in 2D drawings are left-sided. Parts and sets can be mirrored from left to right.

## Modules

Scale 1:100

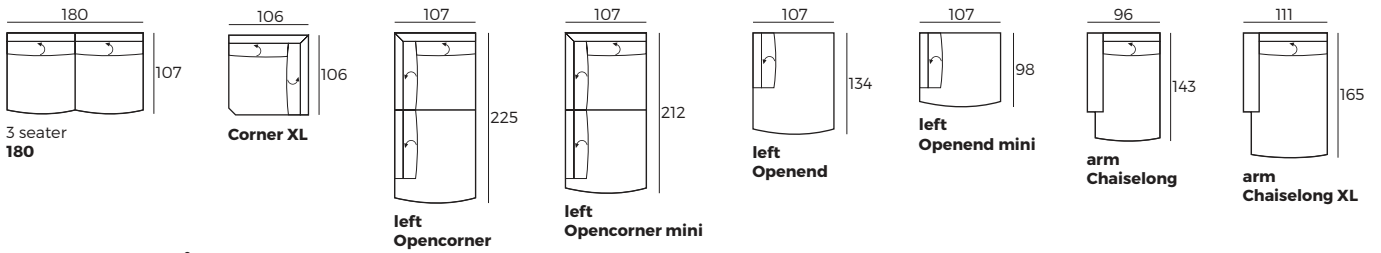




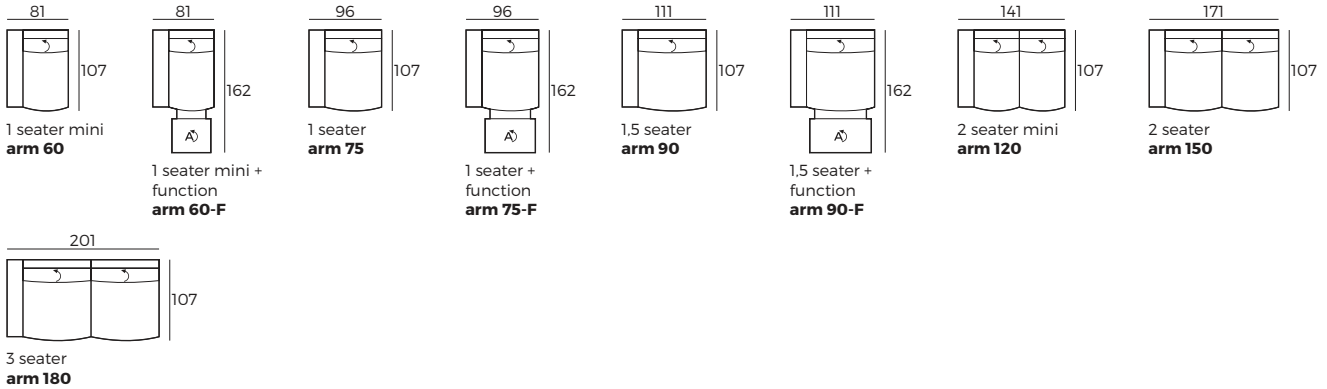
# Slim

## Modules

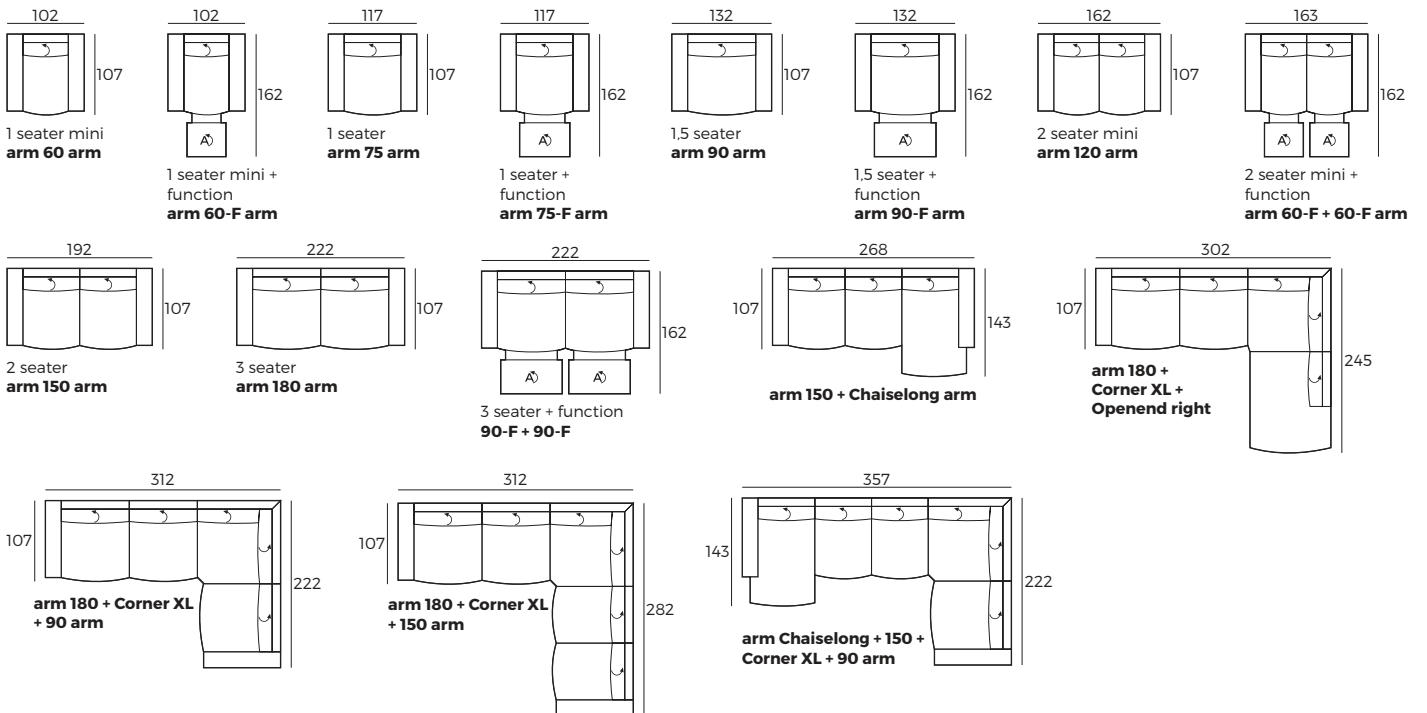
Scale 1:100



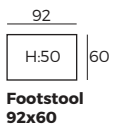
## Modules with armrest



## Combinations



## Accessories



⌋ - manual; ⌋ - electrical \*F - single electric function



# Smile

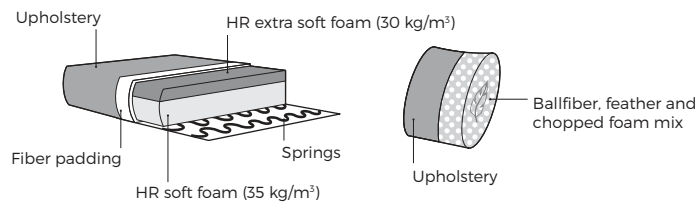


VILMERS

# Smile



## Comfort



## 1. Upholstery



Leather\*



Fabric

\* Leather covers may require more stitches than fabric covers.

## 2. Legs

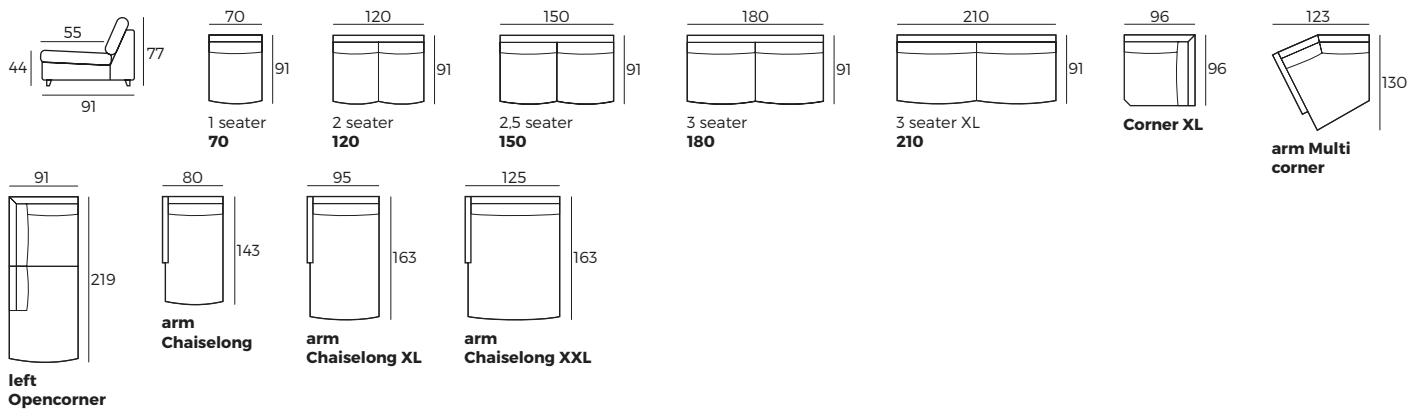


### IMPORTANT:

Upholstered furniture is handmade using soft materials therefore measurements may vary up to +/- 5 cm.  
Parts and sets shown in 2D drawings are left-sided. Parts and sets can be mirrored from left to right.

## Modules

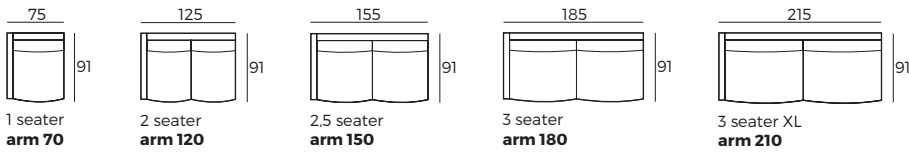
Scale 1:100



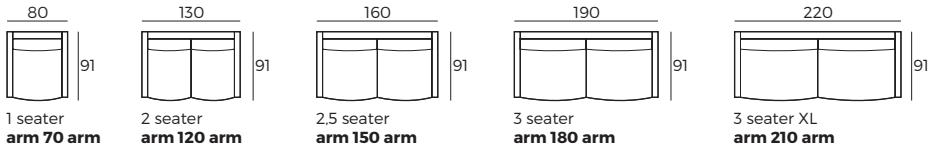
# Smile

## Modules with armrest

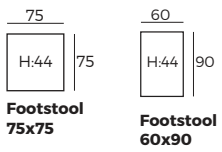
Scale 1:100



## Combinations



## Accessories



# Spring

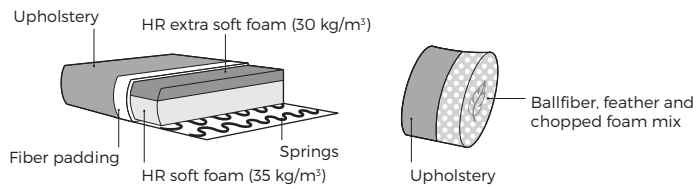


VILMERS

# Spring



## Comfort



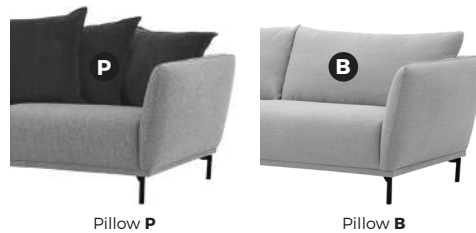
## 1. Upholstery



Fabric

## 2. Choose pillows

Multi corner



Pillow P

Pillow B

## 3. Legs

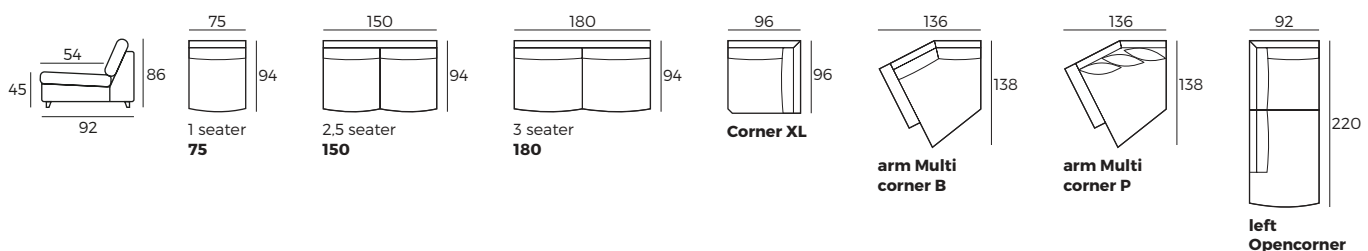


### IMPORTANT:

Upholstered furniture is handmade using soft materials therefore measurements may vary up to +/- 5 cm.  
Parts and sets shown in 2D drawings are left-sided. Parts and sets can be mirrored from left to right.

## Modules

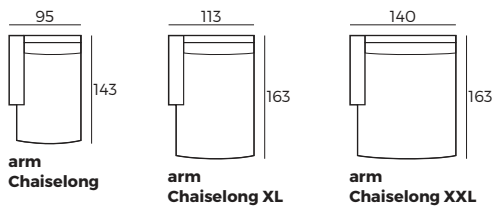
Scale 1:100



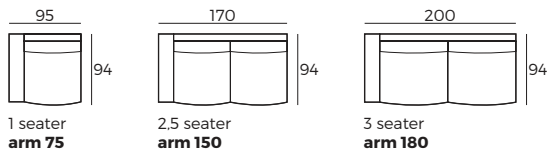
# Spring

Scale 1:100

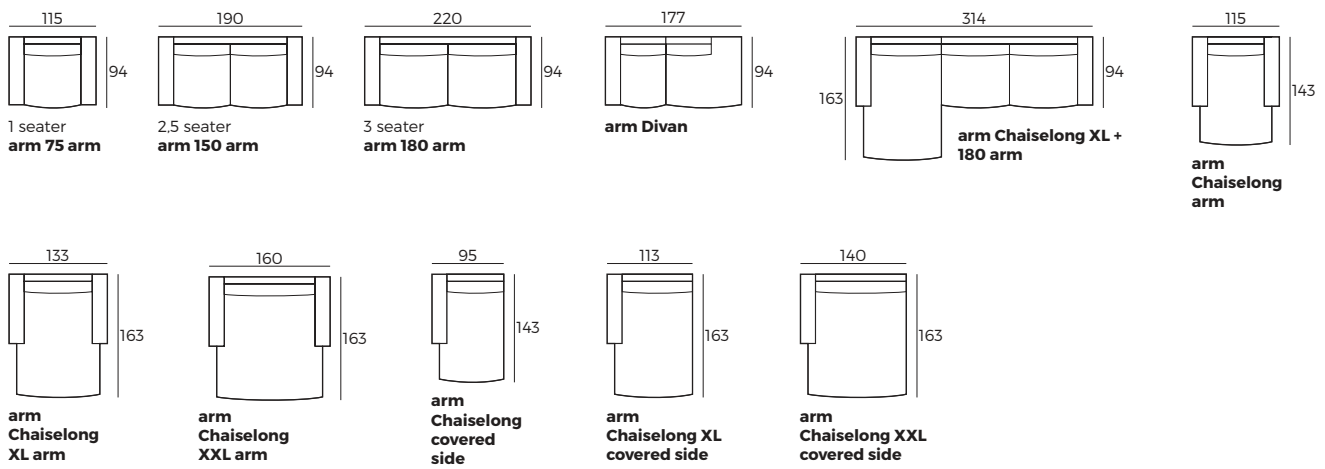
## Modules



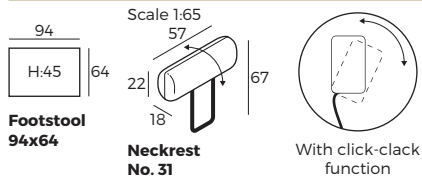
## Modules with armrest



## Combinations



## Accessories





# Sunset

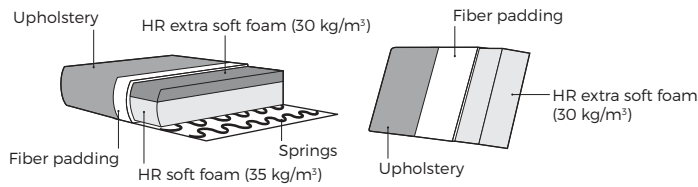


VILMERS

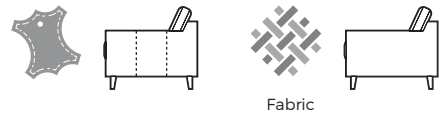
# Sunset



## Comfort



## 1. Upholstery

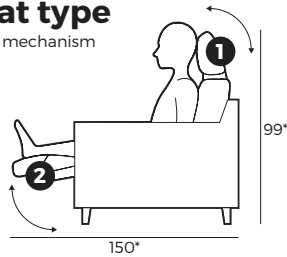


\* Leather covers may require more stitches than fabric covers.

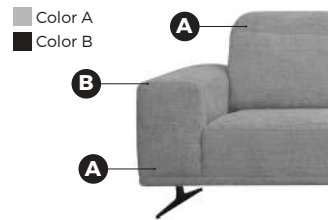
## 2. Headrest & seat type

\*Measures with fully opened mechanism

- 1 Manual ↗
- 2 Electrical ↕



## 3. Bi-Color option



## 4. Armrest



**Sunup**  
W 17 x D 107 x H 42

**Sunset**  
W 27 x D 107 x H 42

## 5. Legs

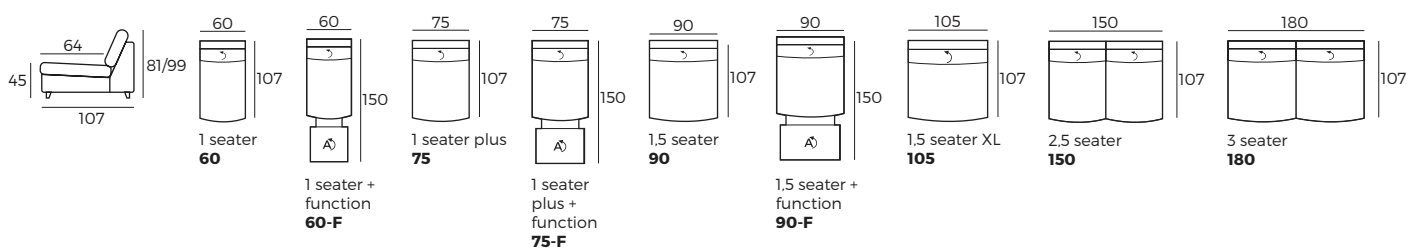


### IMPORTANT:

Upholstered furniture is handmade using soft materials therefore measurements may vary up to +/- 5 cm.  
Parts and sets shown in 2D drawings are left-sided. Parts and sets can be mirrored from left to right.

## Modules

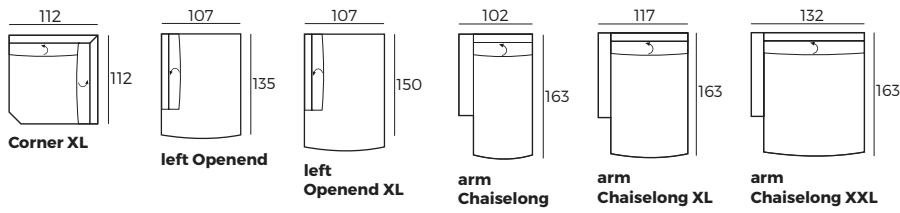
Scale 1:100



# Sunset

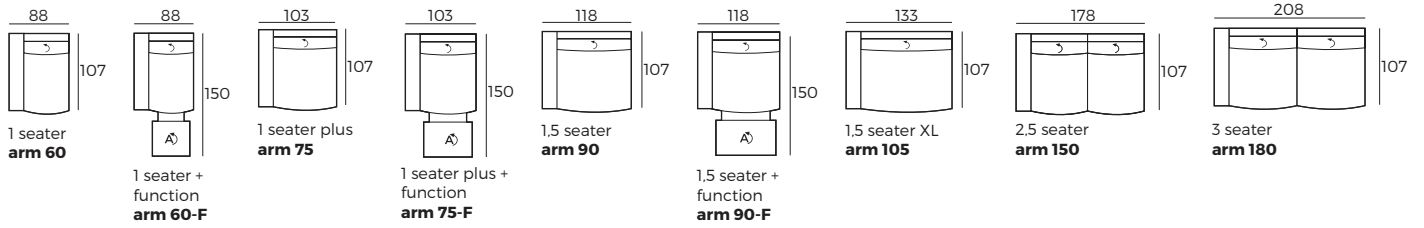
## Modules

Scale 1:100

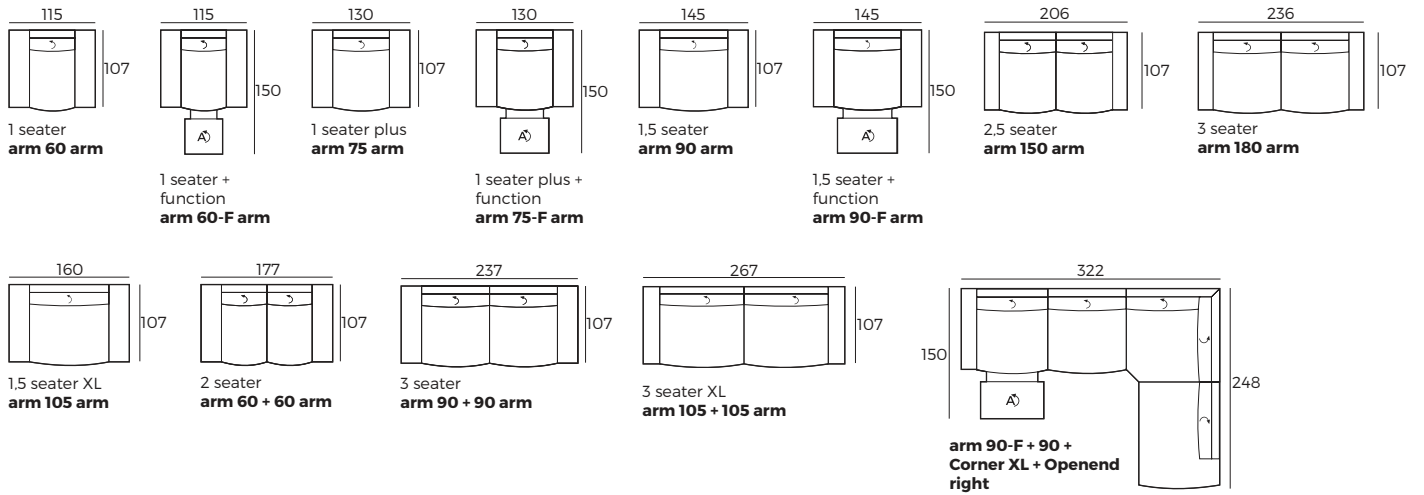


## Modules with armrest

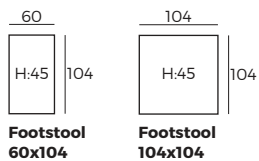
Scale 1:100



## Combinations



## Accessories



› - manual; Ⓐ - electrical \*F - single electric function

# Suny

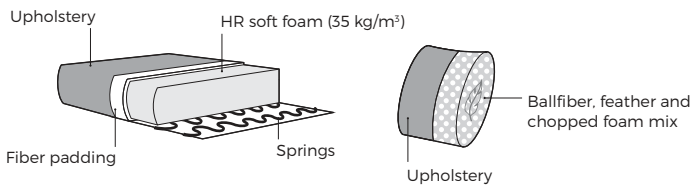


VILMERS

# Suny



## Comfort



## 1. Upholstery



## 2. Legs

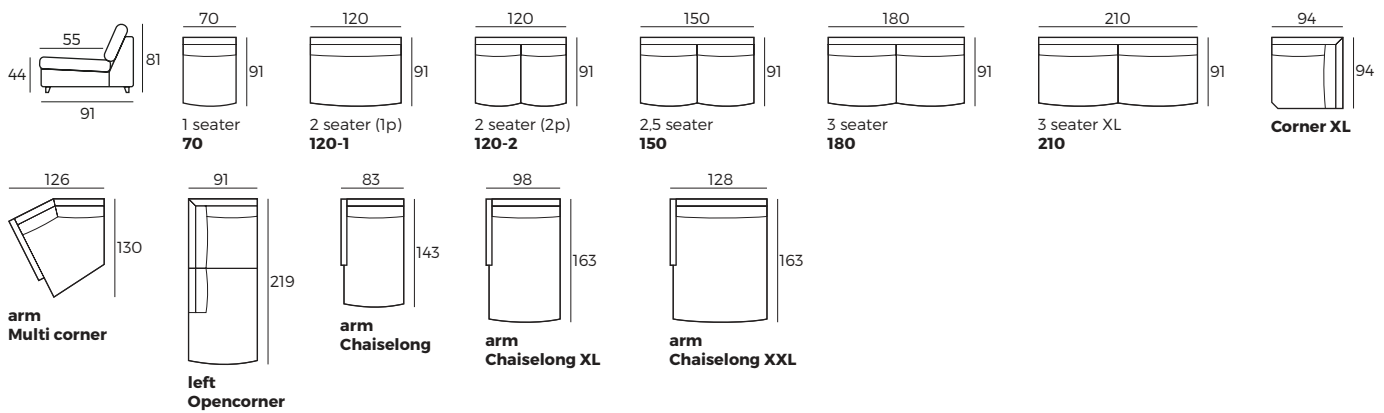


### IMPORTANT:

Upholstered furniture is handmade using soft materials therefore measurements may vary up to +/- 5 cm.  
Parts and sets shown in 2D drawings are left-sided. Parts and sets can be mirrored from left to right.

## Modules

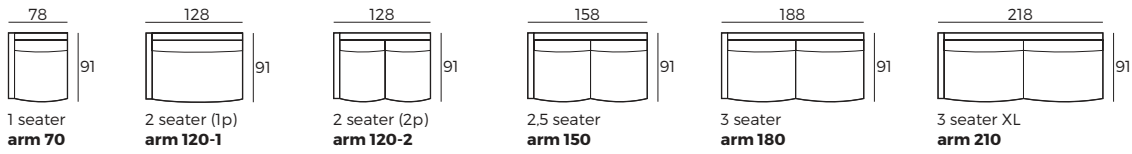
Scale 1:100



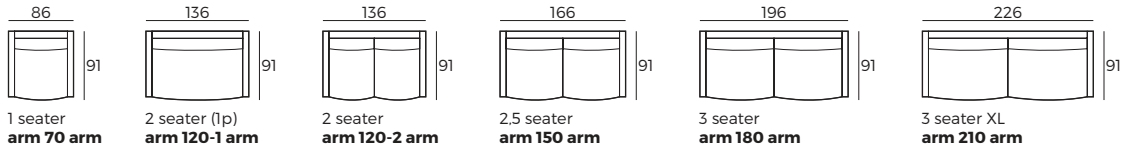
# Suny

## Modules with armrest

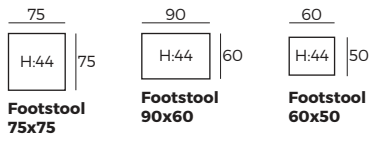
Scale 1:100



## Combinations



## Accessories





# Tailor F

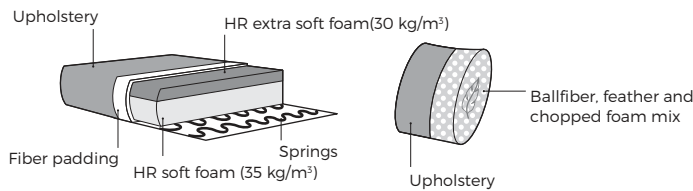


VILMERS

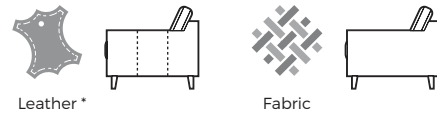
# Tailor F



## Comfort



## 1. Upholstery



\* Leather covers may require more stitches than fabric covers.

## 2. Armrests



**Akron (1)**  
W 15 x D 99 x H 55

**Street (2)**  
W 23 x D 99 x H 58

**Oblik (3)**  
W 27 x D 99 x H 58

**Brera (4)**  
W 18 x D 99 x H 58

**Pinto (5)**  
W 18 x D 99 x H 53

## 3. Legs

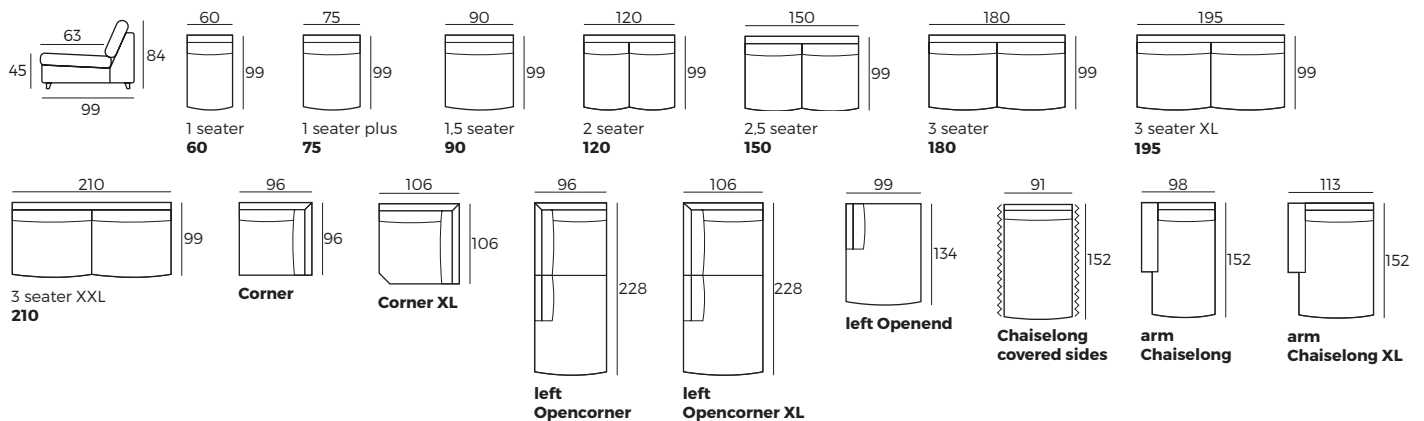


### IMPORTANT:

Upholstered furniture is handmade using soft materials therefore measurements may vary up to +/- 5 cm.  
Parts and sets shown in 2D drawings are left-sided. Parts and sets can be mirrored from left to right.

## Modules (Measurements with Street armrest)

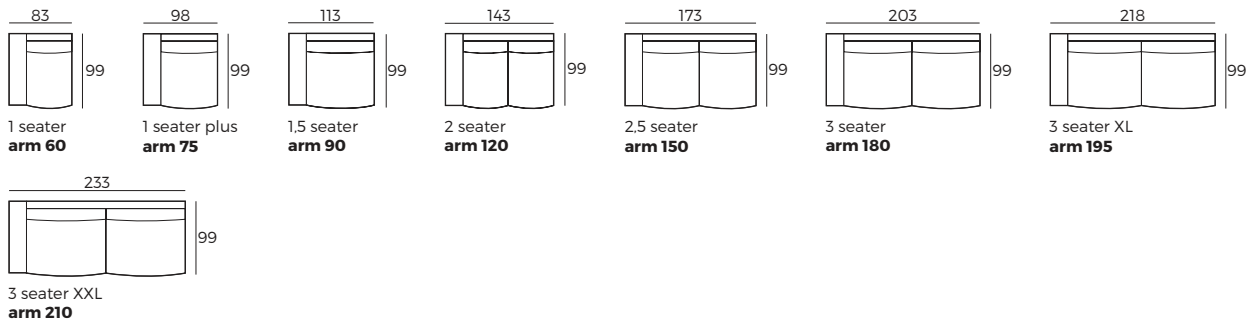
Scale 1:100



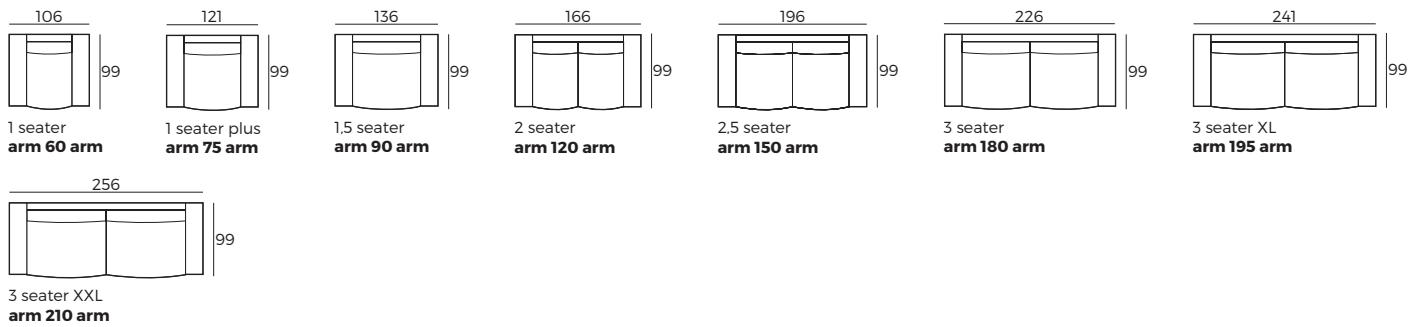
# Tailor F

## Modules with armrest (Measurements with Street armrest)

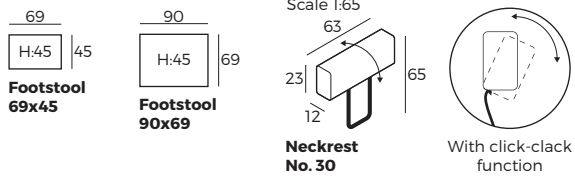
Scale 1:100



## Combinations (Measurements with Street armrest)



## Accessories



# Tailor S



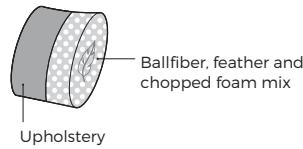
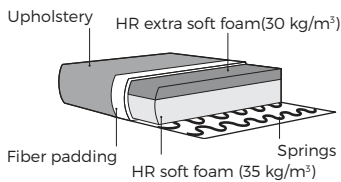
VILMERS



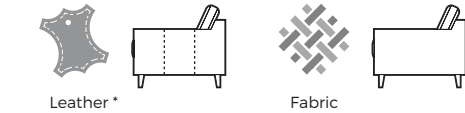
# Tailor S



## Comfort



## 1. Upholstery

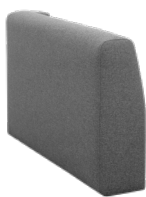


\* Leather covers may require more stitches than fabric covers.

## 3. Armlehnen



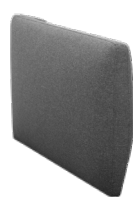
**Akron (1)**  
W 15 x D 99 x H 49



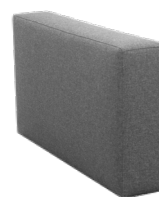
**Street (2)**  
W 23 x D 99 x H 52



**Oblik (3)**  
W 27 x D 99 x H 52



**Brera (4)**  
W 18 x D 99 x H 52



**Pinto (5)**  
W 18 x D 99 x H 46

## 3. Legs

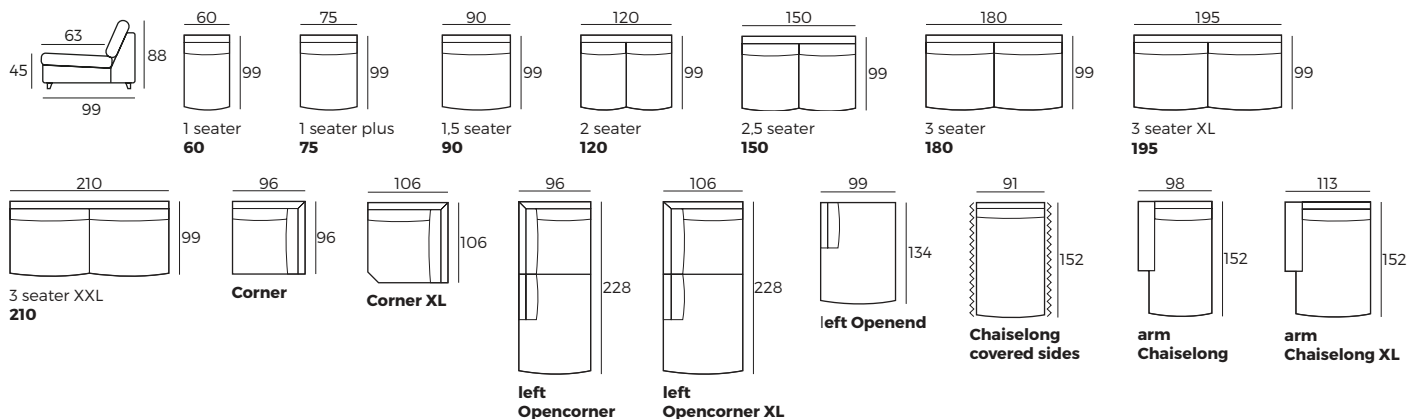


### IMPORTANT:

Upholstered furniture is handmade using soft materials therefore measurements may vary up to **+/- 5 cm**.  
Parts and sets shown in 2D drawings are left-sided. Parts and sets can be mirrored from left to right.

## Modules (Measurements with Street armrest)

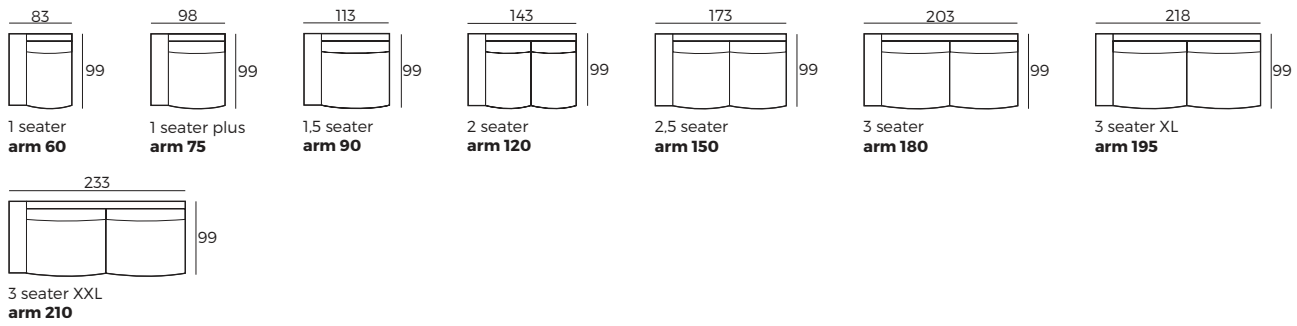
Scale 1:100



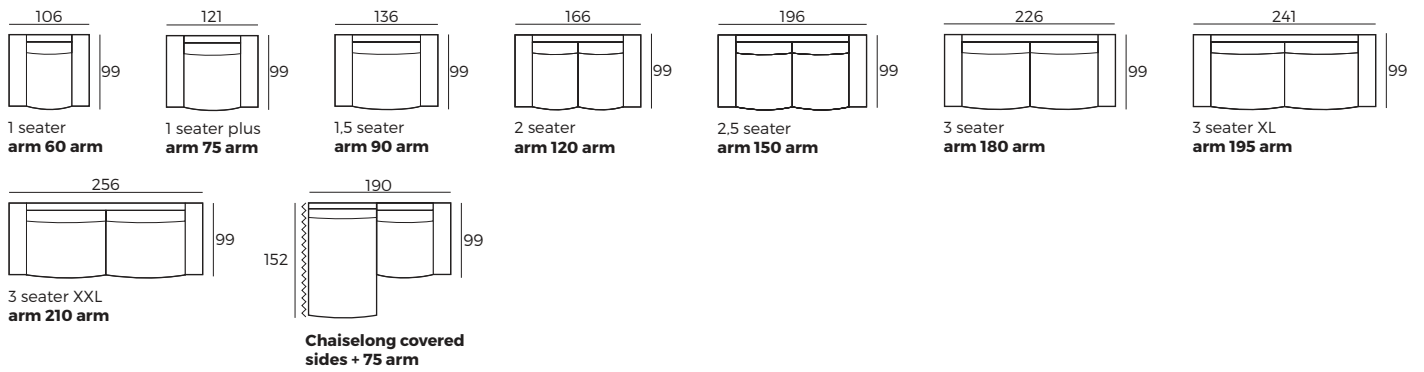
# Tailor S

## Modules with armrest (Measurements with Street armrest)

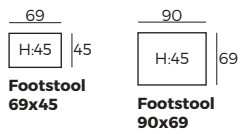
Scale 1:100



## Combinations (Measurements with Street armrest)



## Accessories





# Tetra

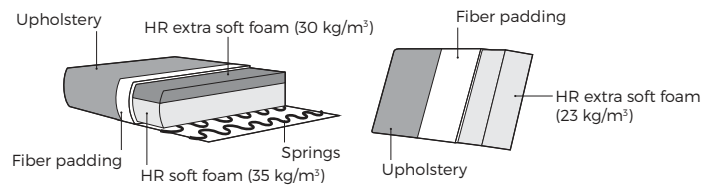


VILMERS

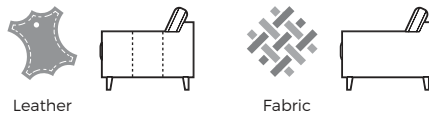
# Tetra



## Comfort

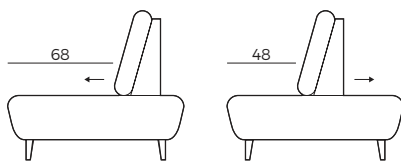


## 1. Upholstery

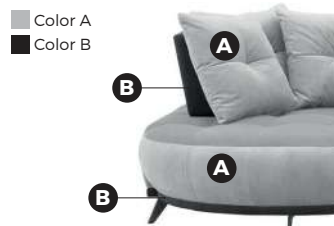


\* Leather covers may require more stitches than fabric covers.

## 2. Movable back



## 3. Bi-Color option



## 4. Legs

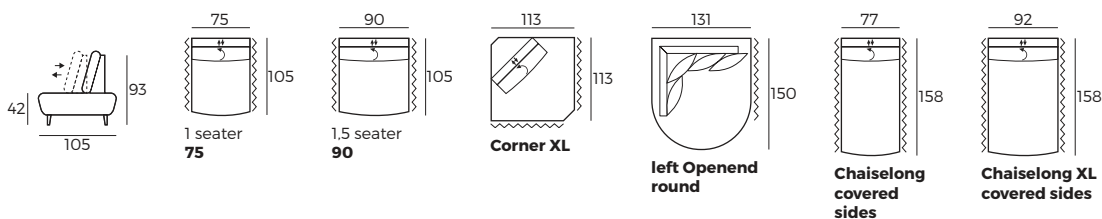


### IMPORTANT:

Upholstered furniture is handmade using soft materials therefore measurements may vary up to +/- 5 cm.  
Parts and sets shown in 2D drawings are left-sided. Parts and sets can be mirrored from left to right.

## Modules

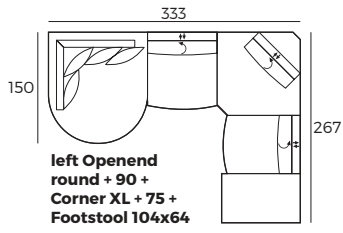
Scale 1:100



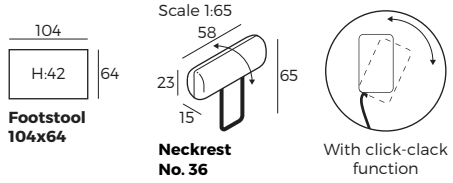
# Tetra

## Combinations

Scale 1:100



## Accessories



↷ - manual; ↕ - movable back seat depth; ~~~~~ - fully upholstered sides

# Toronto

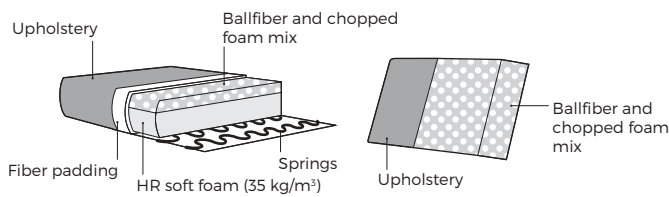


VILMERS

# Toronto



## Comfort



## 1. Upholstery



Fabric

## 2. Legs

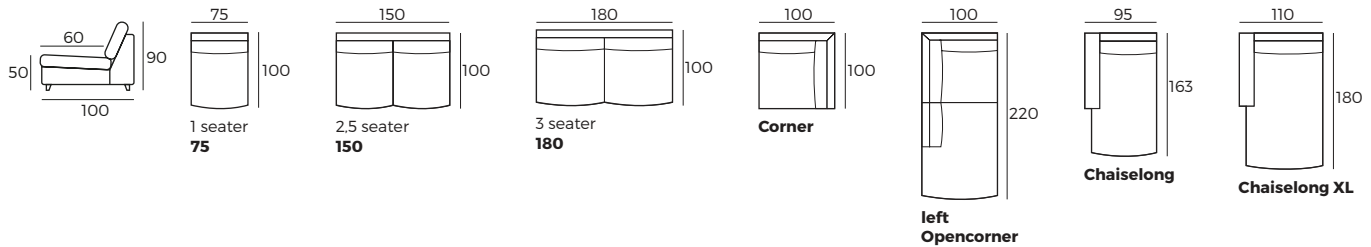


### IMPORTANT:

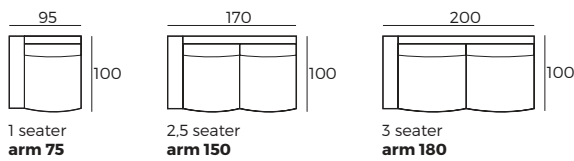
Upholstered furniture is handmade using soft materials therefore measurements may vary up to +/- 5 cm.  
Parts and sets shown in 2D drawings are left-sided. Parts and sets can be mirrored from left to right.

## Modules

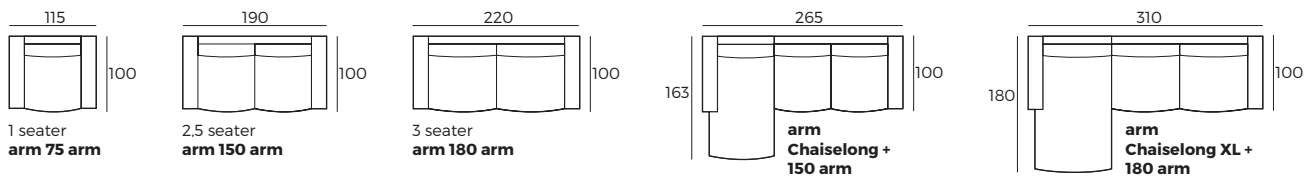
Scale 1:100



## Modules with armrest



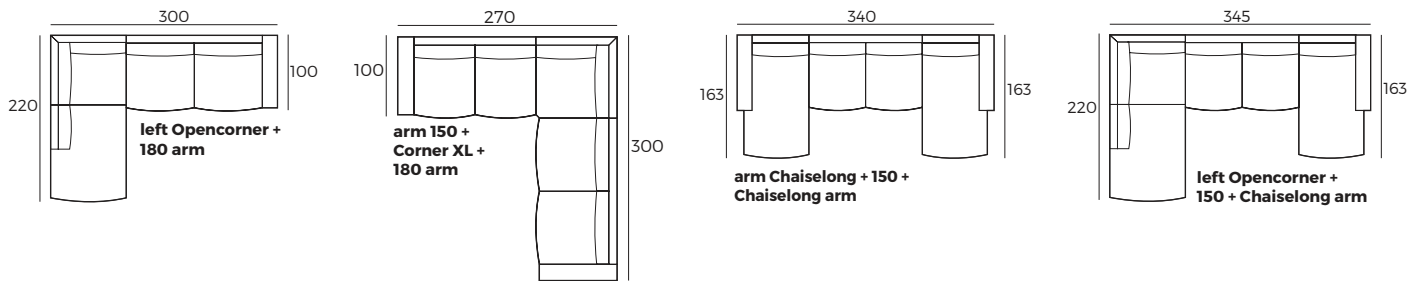
## Combinations



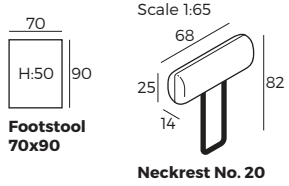
# Toronto

## Combinations

Scale 1:100



## Accessories





# Valdez

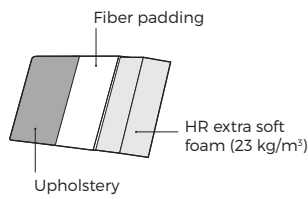
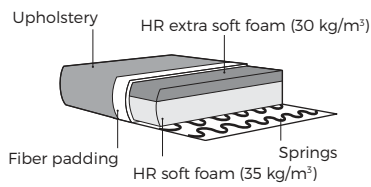


VILMERS

# Valdez



## Comfort



## 1. Upholstery



Fabric

## 2. Legs

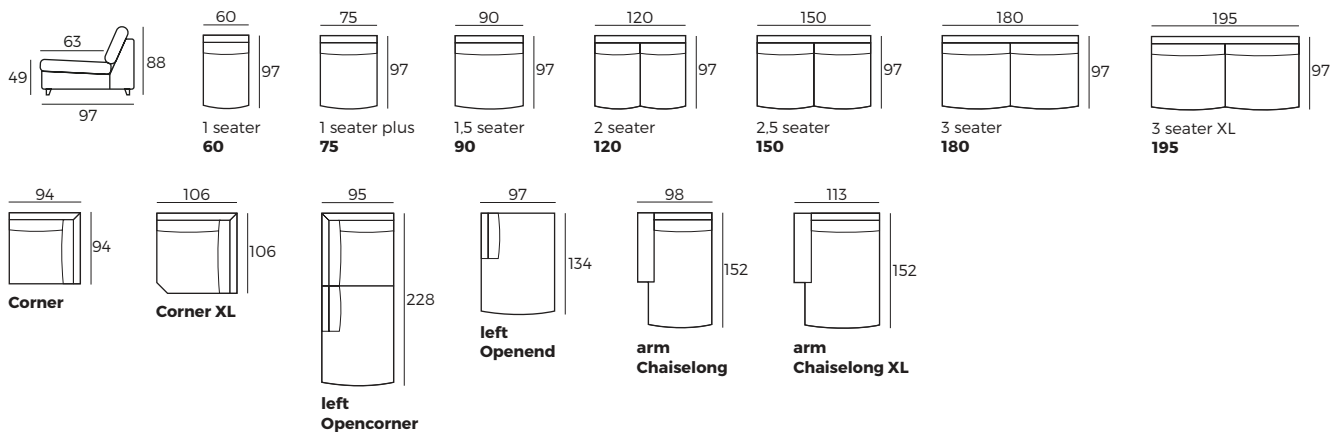


### IMPORTANT:

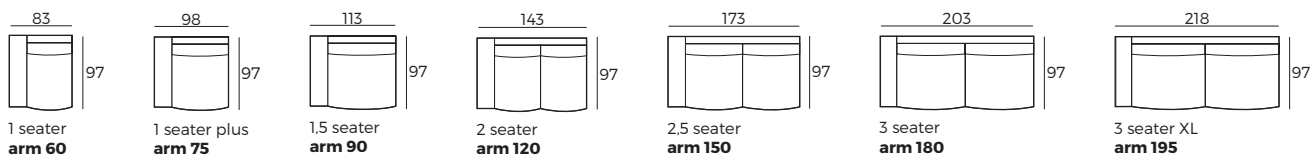
Upholstered furniture is handmade using soft materials therefore measurements may vary up to +/- 5 cm.  
Parts and sets shown in 2D drawings are left-sided. Parts and sets can be mirrored from left to right.

## Modules

Scale 1:100



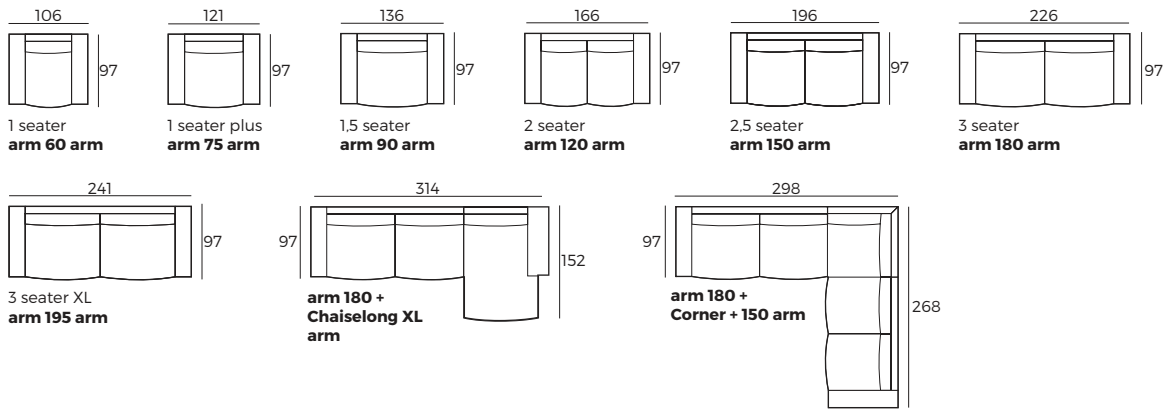
## Modules with armrest



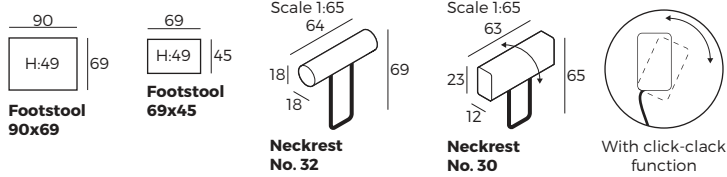
# Valdez

## Combinations

Scale 1:100



## Accessories



# Velov

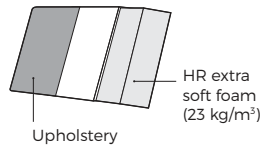
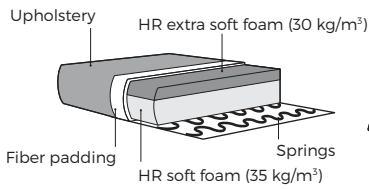


VILMERS

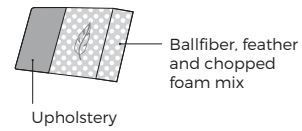
# Velov



## Comfort



## Deco cushion



## 1. Upholstery



Fabric

## Legs

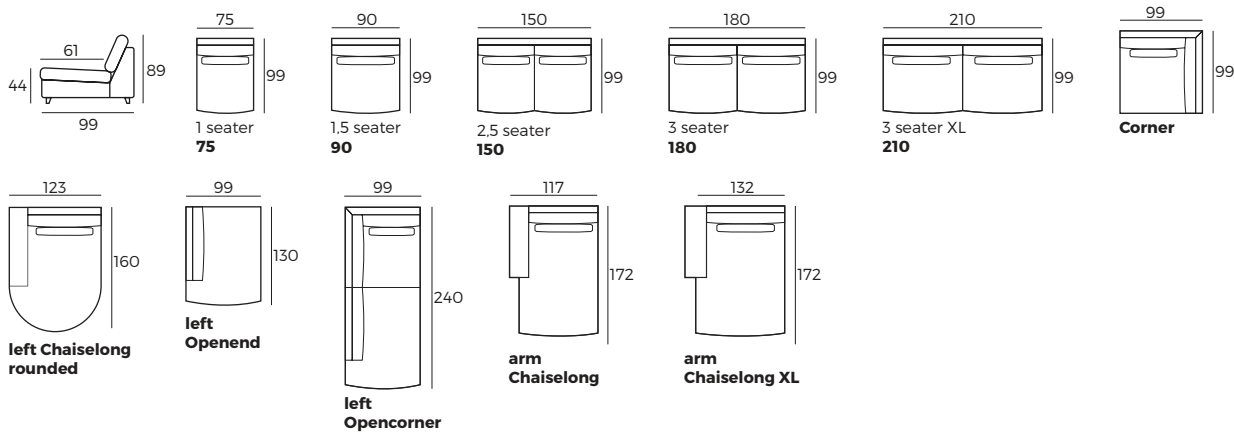


### IMPORTANT:

Upholstered furniture is handmade using soft materials therefore measurements may vary up to +/- 5 cm.  
Parts and sets shown in 2D drawings are left-sided. Parts and sets can be mirrored from left to right.

## Modules

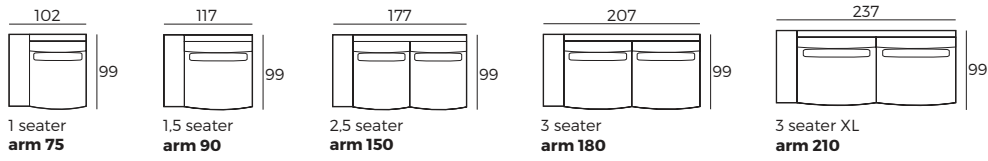
Scale 1:100



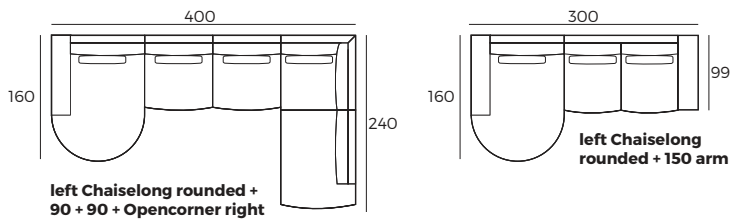
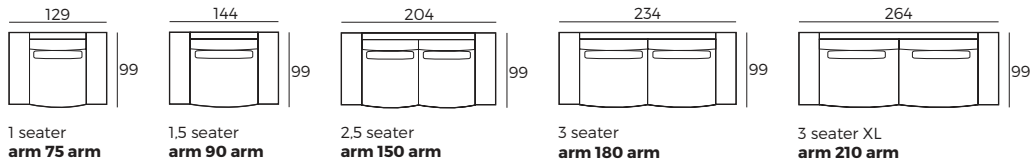
# Velov

## Modules with armrest

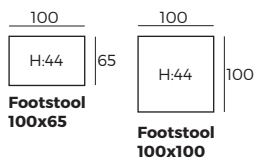
Scale 1:100



## Combinations



## Accessories





# VIU

by BÖTTCHER & KAYSER



## VILMERS

[vilmers.com](http://vilmers.com)



REST ASSURED



VIU enables a spontaneous changeability. The upholstered modules are put together according to the usage requirements and personal taste. They can be swapped or rotated as needed. In this way, new seating and reclining landscapes can be created as required in just a few simple steps. VIU can be playfully integrated into our lives.

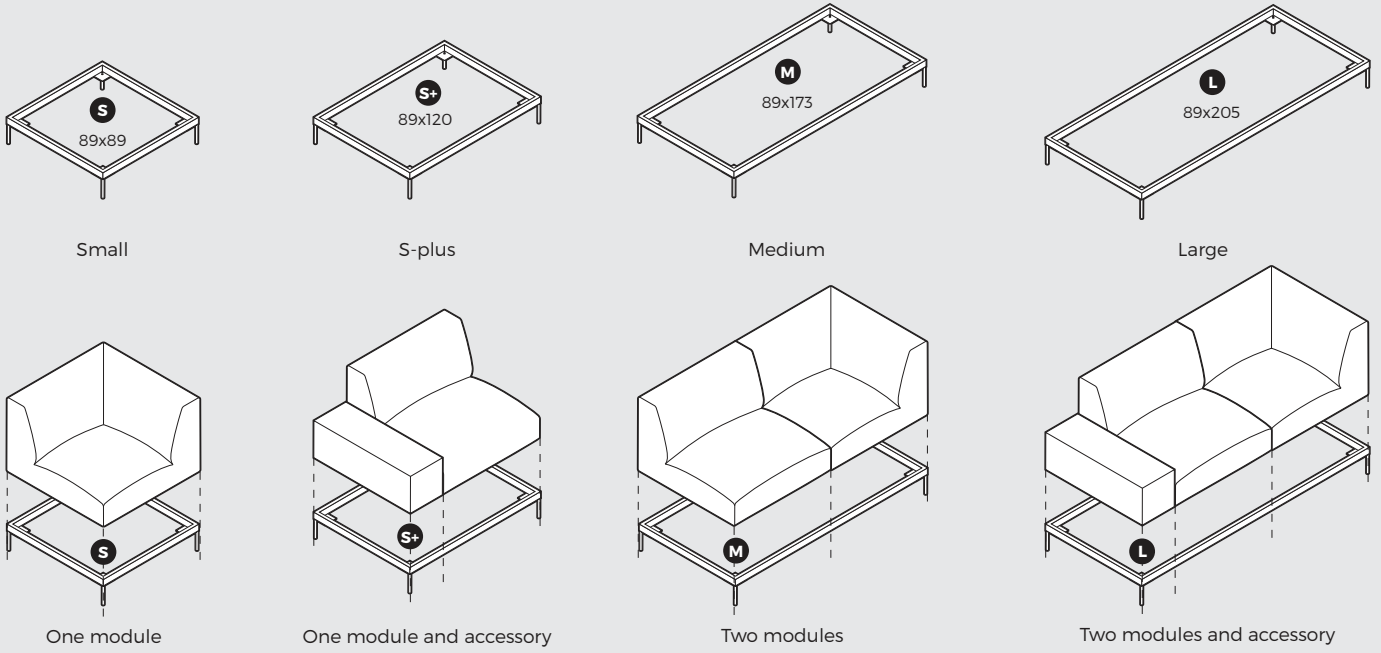


Scale 1:50

# 1. SINGLE FRAME PARTS

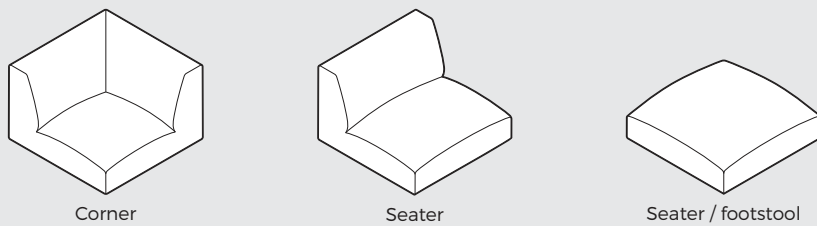
Different frames can be equipped with three different modules. Four options of frames are available, accommodating either one module, two modules one module or two modules with an accessory. The modules can be placed in any order and direction.

Scale 1:50

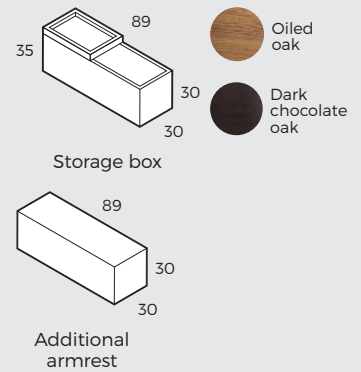


# 2. SINGLE MODULE PARTS

There is a possibility to choose between three different back heights. Depending on need and preference, this allows upright sitting, lounging or lying down. **The base size of all modules is 89x89 cm.**

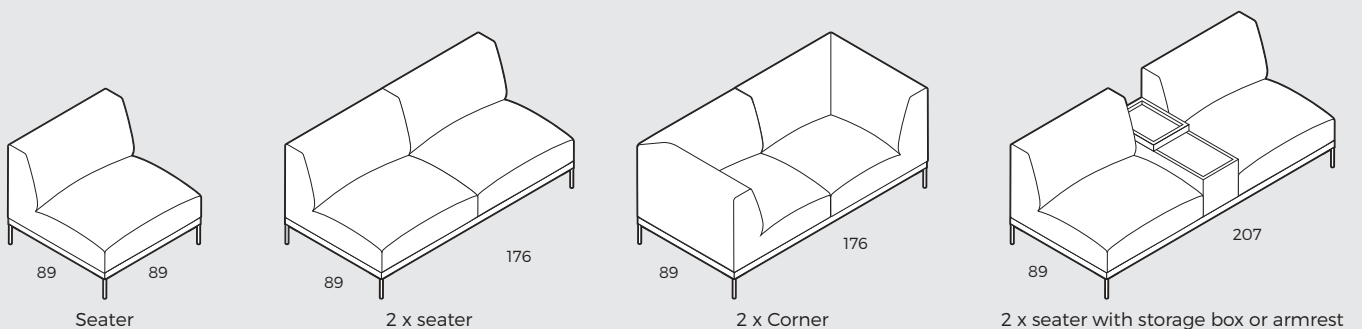


# 3. ACCESSORIES



# 4. SUGGESTED COMBINATIONS

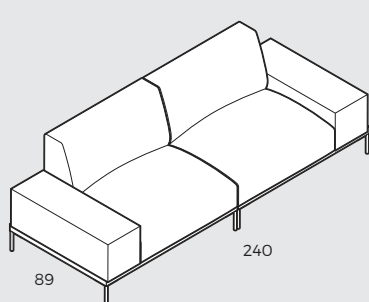
**IMPORTANT!** Upholstered furniture is handmade using soft materials therefore measurements may vary up to +/- 5 cm.



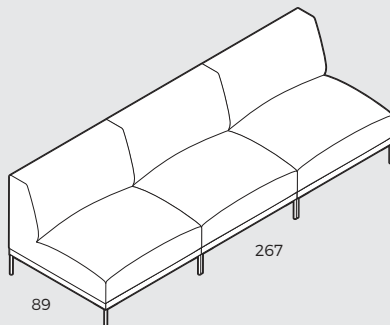


## 4. SUGGESTED COMBINATIONS

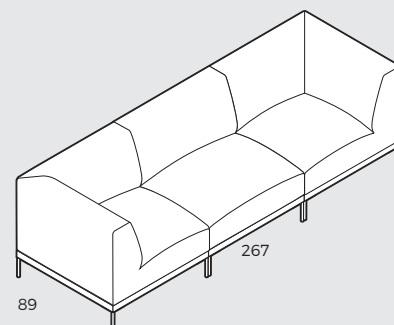
**IMPORTANT!** Upholstered furniture is handmade using soft materials therefore measurements may vary up to +/- 5 cm.



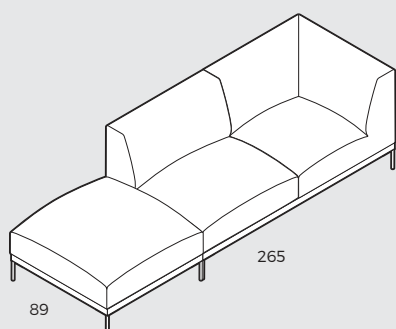
2 x seater +  
2 x additional armrest



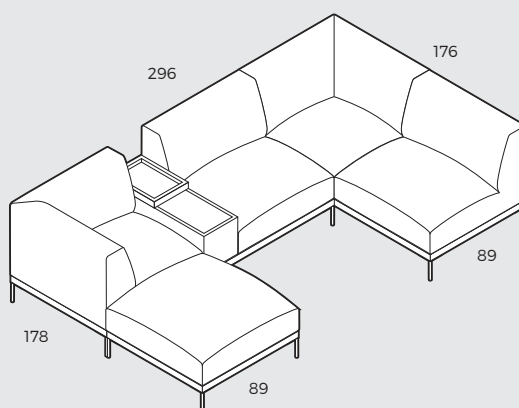
3 x seater



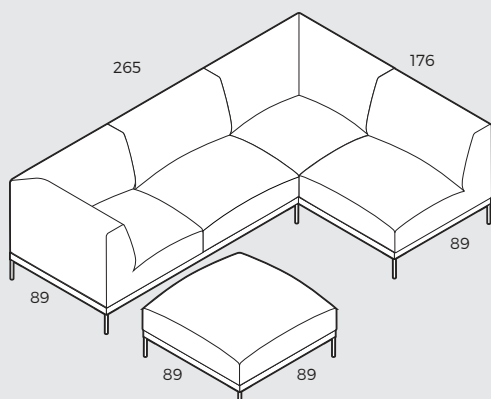
2 x Corner + 1 seater



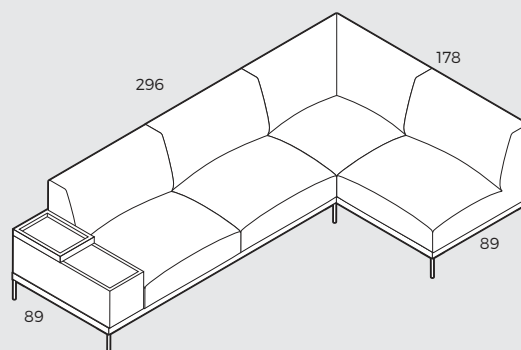
1 x footstool + 1 x seater + 1 x Corner



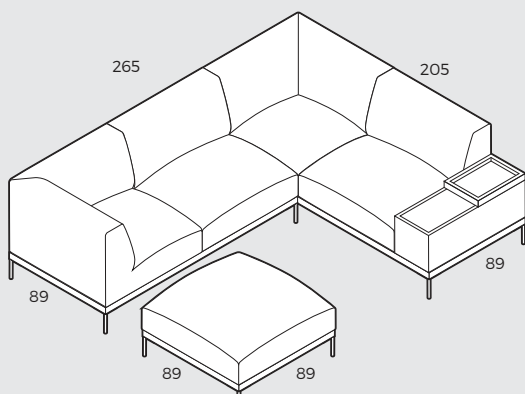
1 x Corner + 1 x corner + 2 x seater + 1 x footstool + 1 x storage box or armrest



1 x Corner + 1 x corner + 2 x seater + 1 x footstool



1 x corner + 3 x seater + 1 x storage box or armrest



1 x Corner + 1 x corner + 2 x seater +  
1 x storage box + 1 x footstool

REST ASSURED

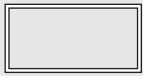


Scale 1:100

## 5. FURTHER LAYOUT EXAMPLES FROM ONE COMBINATION

**IMPORTANT!** Upholstered furniture is handmade using soft materials therefore measurements may vary up to +/- 5 cm.

### Single frame parts



2x



1x

### Seating modules



2x

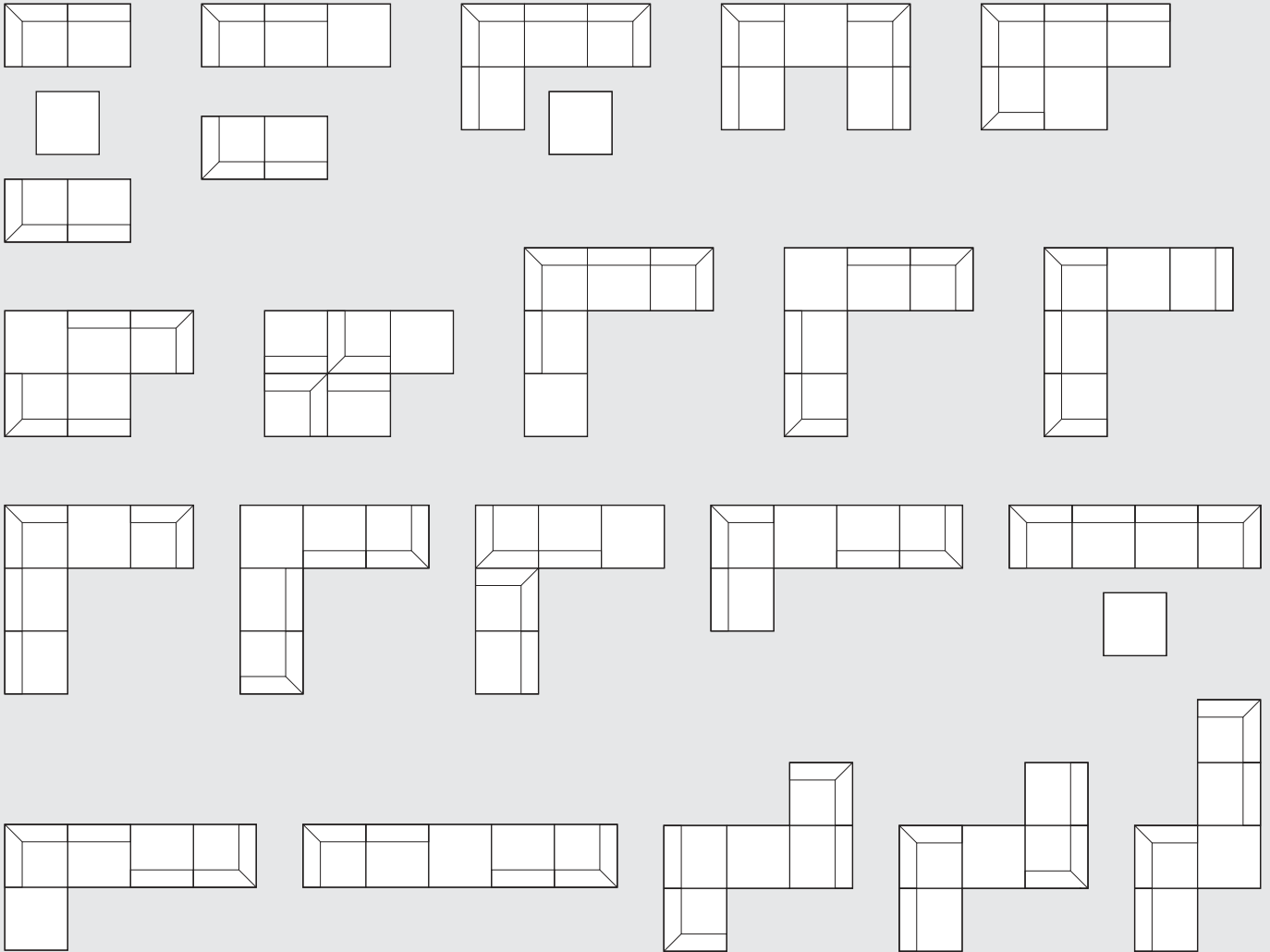


2x



1x

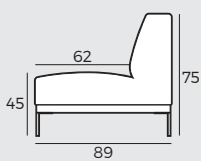
Eight elements for endless combinations and layouts according to the needs or changing environments.



REST ASSURED

## 6. TECHNICAL DATA

### Measurements



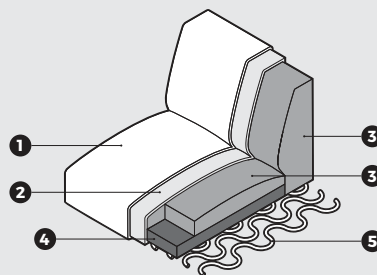
### Upholstery



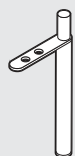
Fabric

### Comfort

1. Upholstery.
2. Fiber padding.
3. HR extra soft foam (30 kg/m<sup>3</sup>).
4. HR soft foam (35 kg/m<sup>3</sup>).
5. Springs.



### Legs



Black metal  
15 cm





REST ASSURED

## 7. DESIGNERS



*"Design means everyday culture. It helps us to enjoy and simplify life. We are fascinated by the process that starts with an idea, becomes substance and hopefully results in a long and pleasurable use for its qualities. That's how we understand reasonability and sustainability."*

Berlin based designers  
**BÖTTCHER & KAYSER**