

Tailor F

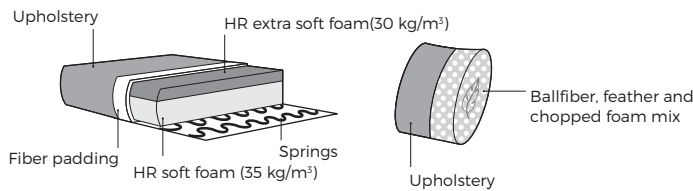


VILMERS

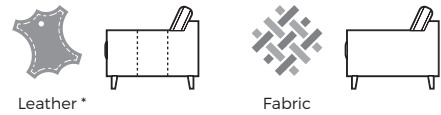
Tailor F



Comfort



1. Upholstery



* Leather covers may require more stitches than fabric covers.

2. Armrests



Akron (1)

W 15 x D 99 x H 55

Street (2)

W 23 x D 99 x H 58

Oblik (3)

W 27 x D 99 x H 58

Brera (4)

W 18 x D 99 x H 58

Pinto (5)

W 18 x D 99 x H 53

3. Legs



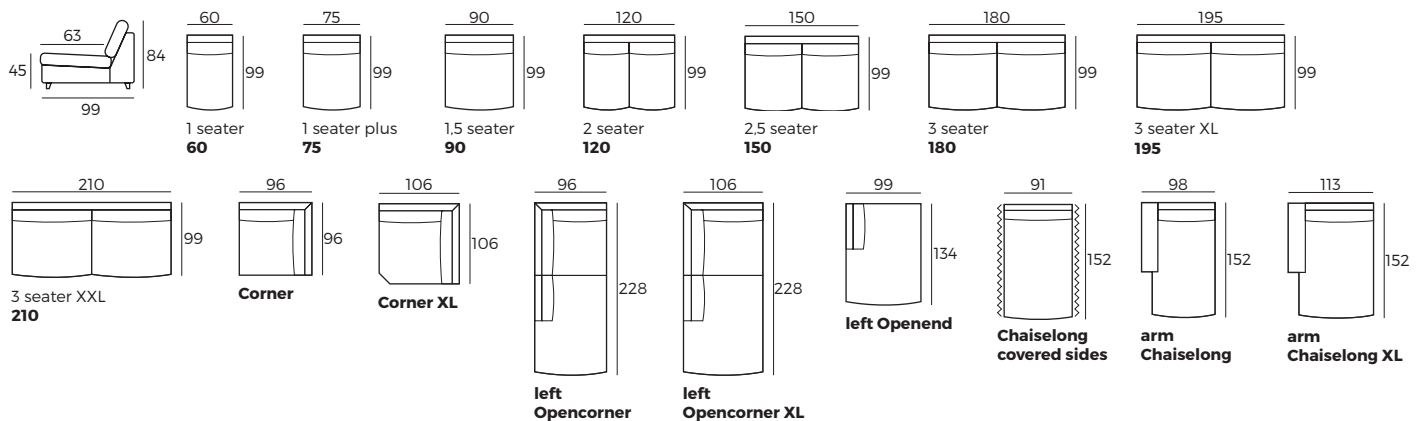
IMPORTANT:

Upholstered furniture is handmade using soft materials, therefore measurements can vary in all modules by up to **+/-2 cm**.

Parts and sets shown in 2D drawings are left-sided. Parts and sets can be mirrored from left to right.

Modules (Measurements with Street armrest)

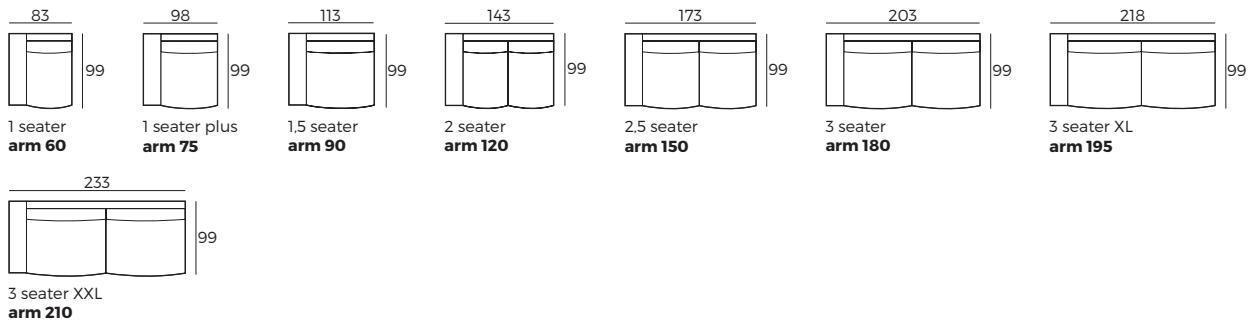
Scale 1:100



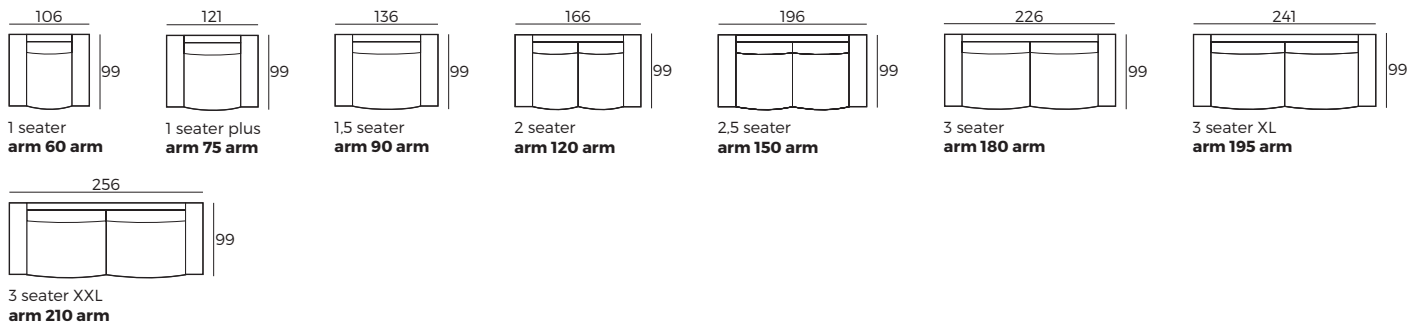
Tailor F

Modules with armrest (Measurements with Street armrest)

Scale 1:100



Combinations (Measurements with Street armrest)



Accessories

