

# MOUND

by BÖTTCHER & KAYSER



VILMERS

[vilmers.com](http://vilmers.com)

## 1. REMOVABLE COVER



Rest Assured

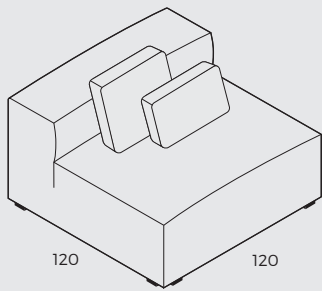
\*Option to remove cover of every single part.

The Mound sofa is our new, loft style sofa designed by Böttcher & Kayser. This luxurious and sophisticated sofa has low reclining backrests, 120 cm deep lounge seating, fully foam covered frame with a feathered top for extra comfort and removable covers. Designed for comfort, made to last.

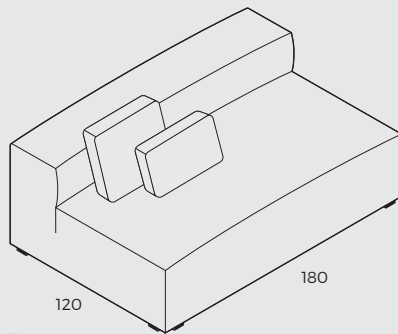
Scale 1:50

## 2. MODULES

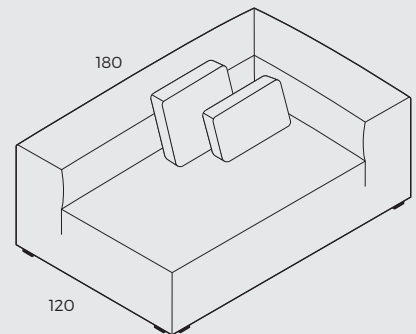
**IMPORTANT:**  
Upholstered furniture is handmade using soft materials, therefore measurements can vary in all modules by up to +/- 2cm.  
Parts and sets shown in 2D drawings are left-sided. Parts and sets can be mirrored from left to right.



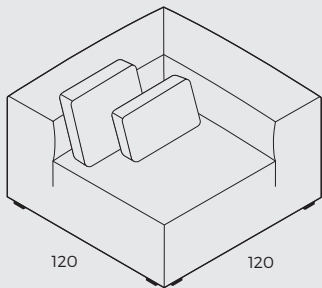
2 seater  
120



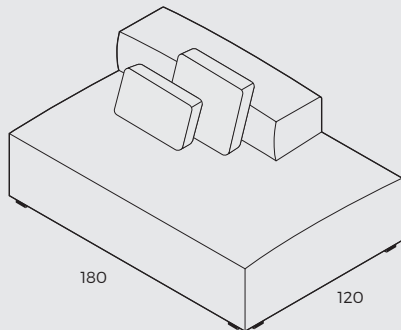
3 seater  
180



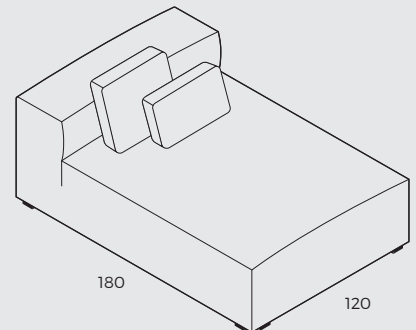
2.5 seater  
arm 150



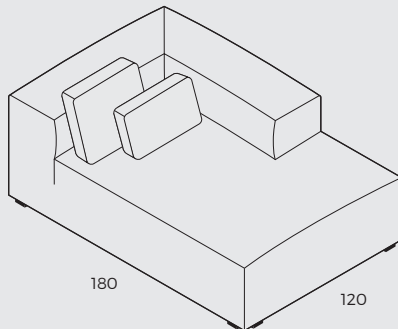
Corner



Openend  
right



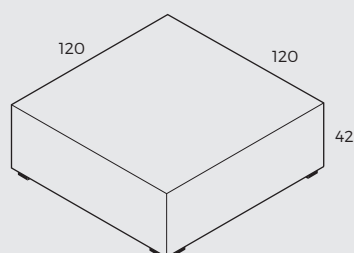
Chaiselong  
covered sides



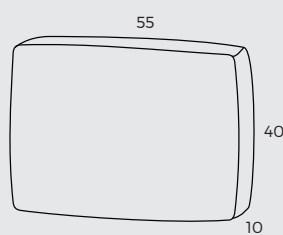
Chaiselong arm

Rest Assured

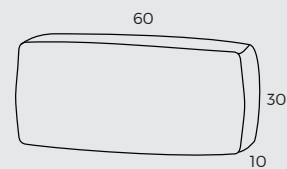
## 3. ACCESSORIES



Footstool  
120x120

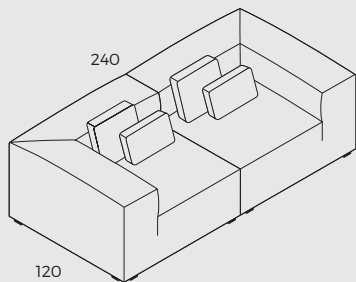


Deco cushion  
55x40x10

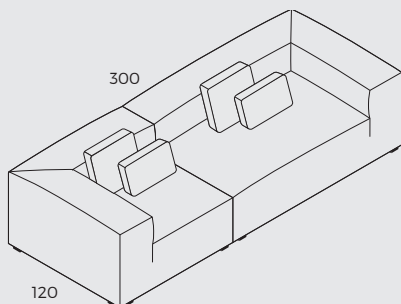


Deco cushion  
60x30x10

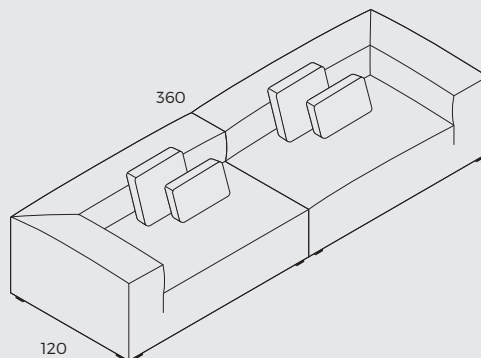
## 4. COMBINATIONS



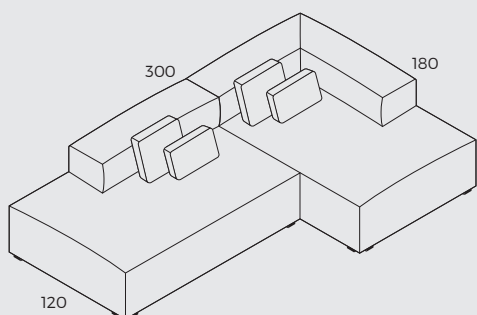
**Corner + Corner**



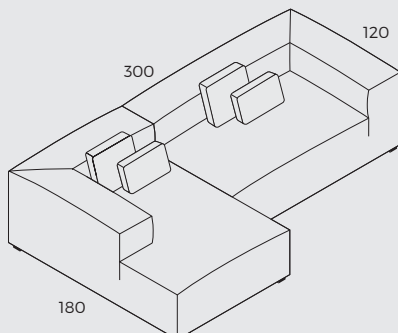
**Corner + 150 arm**



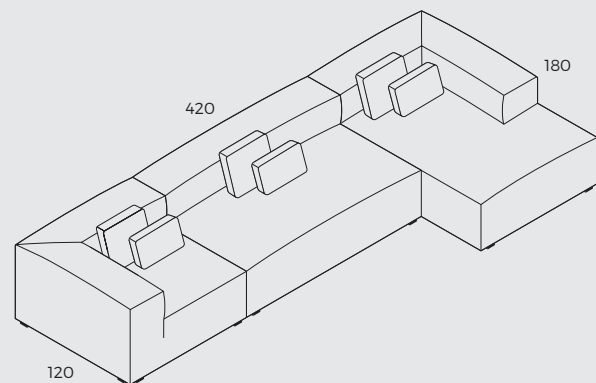
**arm 150 + 150 arm**



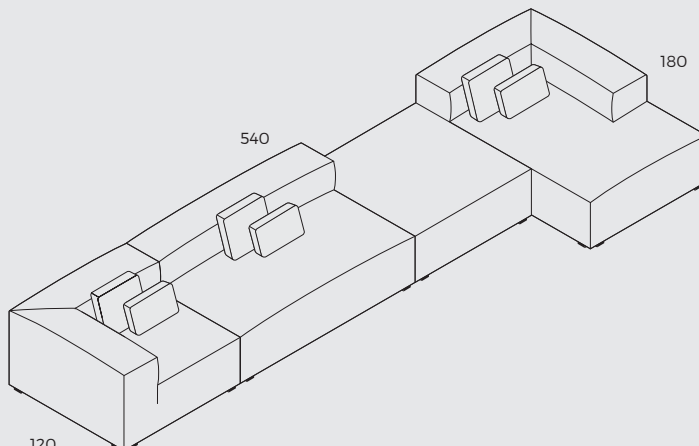
**left Openend + Chaiselong arm**



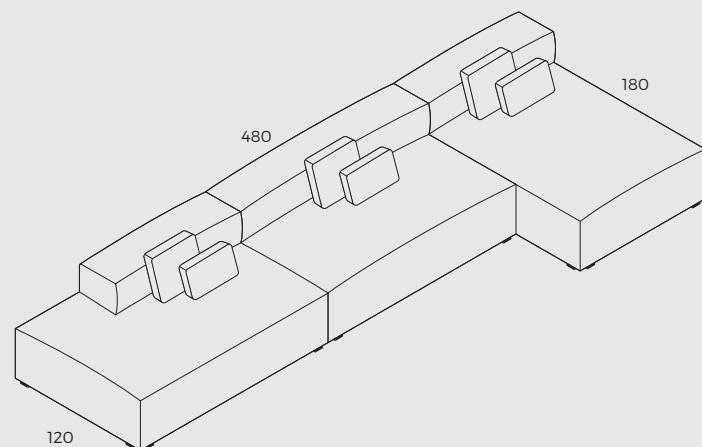
**arm Chaiselong + 150 arm**



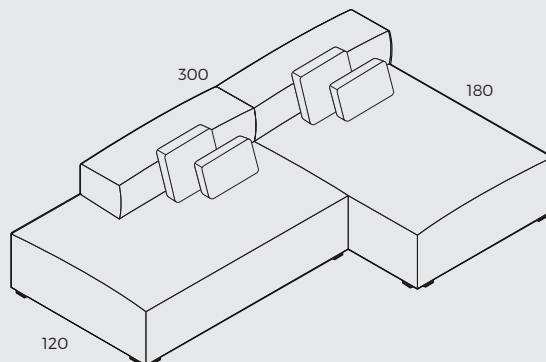
**Corner + 180 + Chaiselong arm**



**Corner + 180 + Footstool 120x120 + Chaiselong arm**



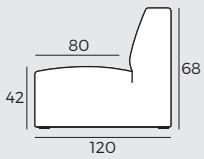
**left Openend + 180 + Chaiselong covered sides**



**left Openend + Chaiselong covered sides**

## 5. TECHNICAL DATA

### Measurements



### Legs



Plastic black  
3 cm

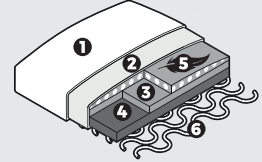
### Upholstery



Fabric

### Comfort

1. Upholstery.
2. Fiber padding.
3. HR extra soft foam (30 kg/m<sup>3</sup>).
4. HR soft foam (35 kg/m<sup>3</sup>).
5. Feather and chopped foam mix
6. Springs.



Rest Assured

## 6. DESIGNERS



*"Design means everyday culture. It helps us to enjoy and simplify life. We are fascinated by the process that starts with an idea, becomes substance and hopefully results in a long and pleasurable use for its qualities. That's how we understand reasonability and sustainability."*

Berlin based designers  
**BÖTTCHER & KAYSER**