

# Linden

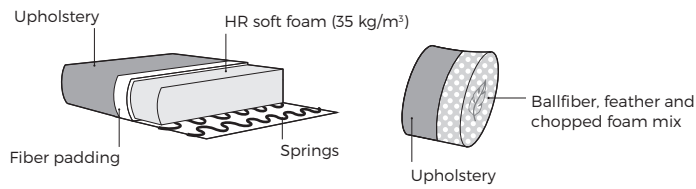


VILMERS

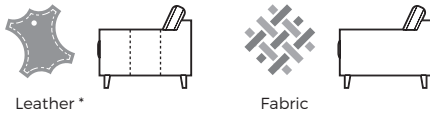
# Linden



## Comfort



### 1. Upholstery



\* Leather covers may require more stitches than fabric covers.

### 2. Legs

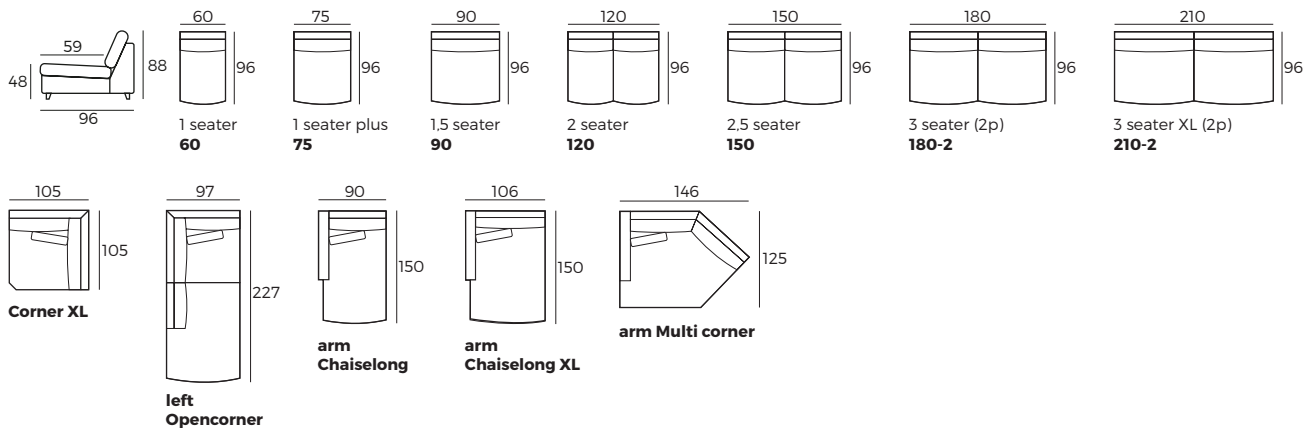


#### IMPORTANT:

Upholstered furniture is handmade using soft materials, therefore measurements can vary in all modules by up to **+/-2 cm**.  
Parts and sets shown in 2D drawings are left-sided. Parts and sets can be mirrored from left to right.

## Modules

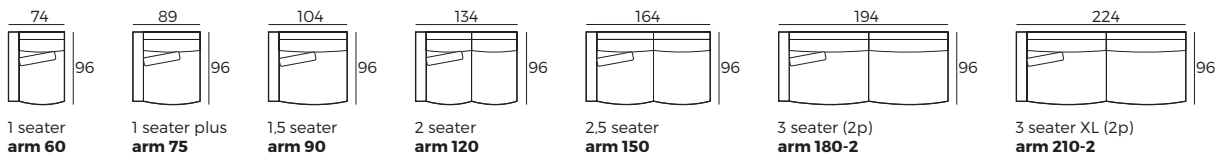
Scale 1:100



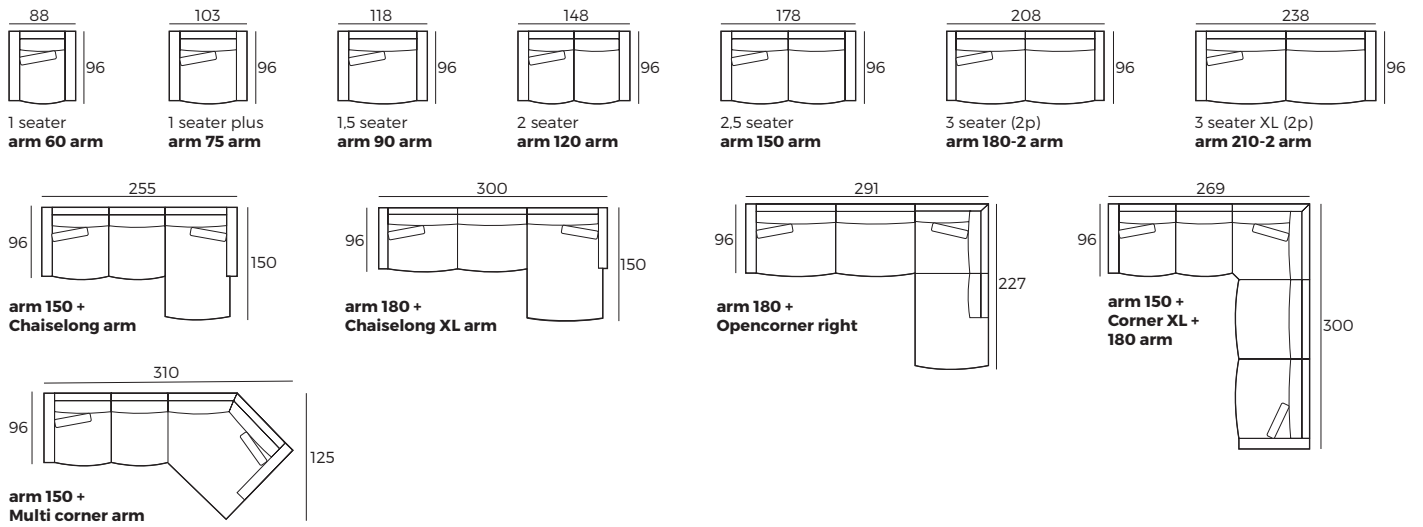
# Linden

## Modules with armrest

Scale 1:100



## Combinations



## Accessories

