

# Canyon

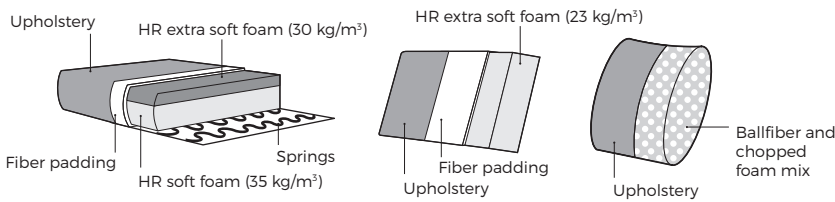


VILMERS

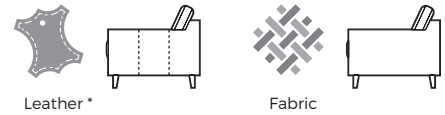
# Canyon



## Comfort



## 1. Upholstery



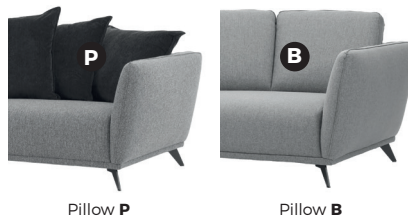
\* Leather covers may require more stitches than fabric covers.

## 2. Multicolor Option



## 3. Choose pillows

Multi corner



## 4. Legs

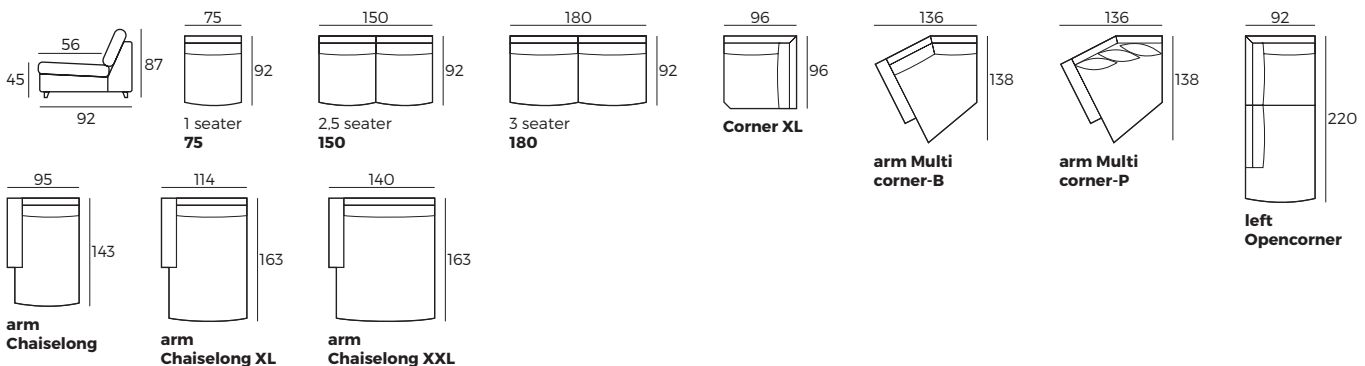


### IMPORTANT:

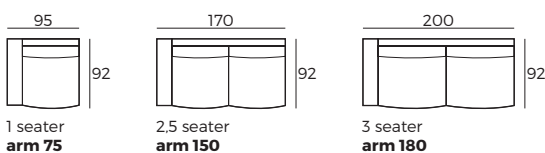
Upholstered furniture is handmade using soft materials, therefore measurements can vary in all modules by up to **+/-2 cm**.  
Parts and sets shown in 2D drawings are left-sided. Parts and sets can be mirrored from left to right.

## Modules

Scale 1:100



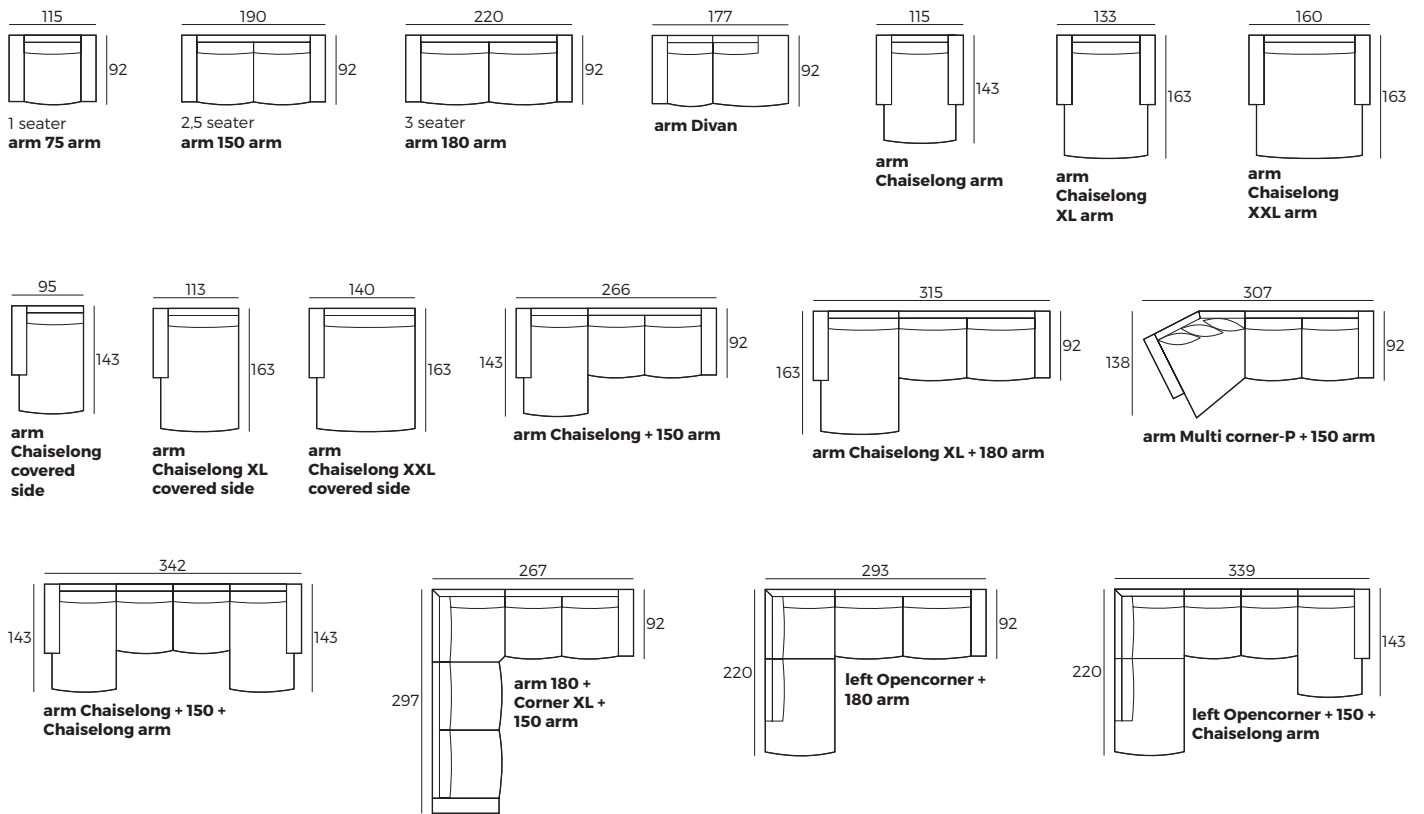
## Modules with armrest



# Canyon

## Combinations

Scale 1:100



## Accessories

