

Boston

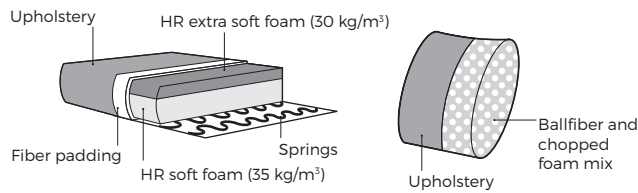


VILMERS

Boston



Comfort



1. Upholstery



2. Armrests



3. Choose pillows



4. Legs



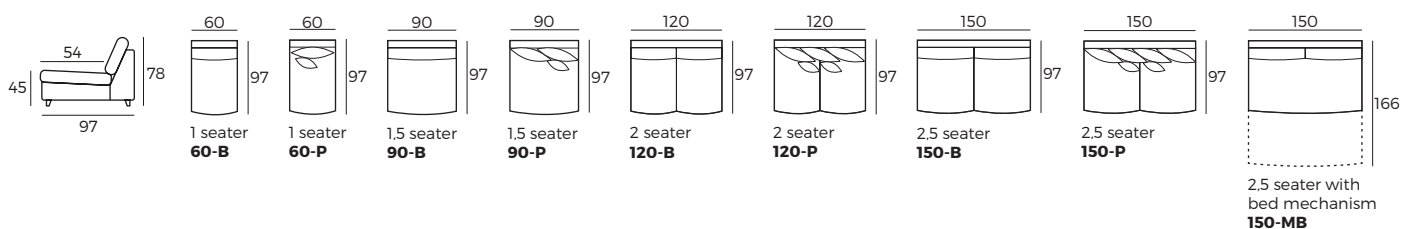
* The height of all legs can be either 3 cm, 6 cm or 8 cm.

IMPORTANT:

Upholstered furniture is handmade using soft materials, therefore measurements can vary in all modules by up to **+/-2cm**.
Parts and sets shown in 2D drawings are left-sided. Parts and sets can be mirrored from left to right.

Modules (Measurements with Boston armrest)

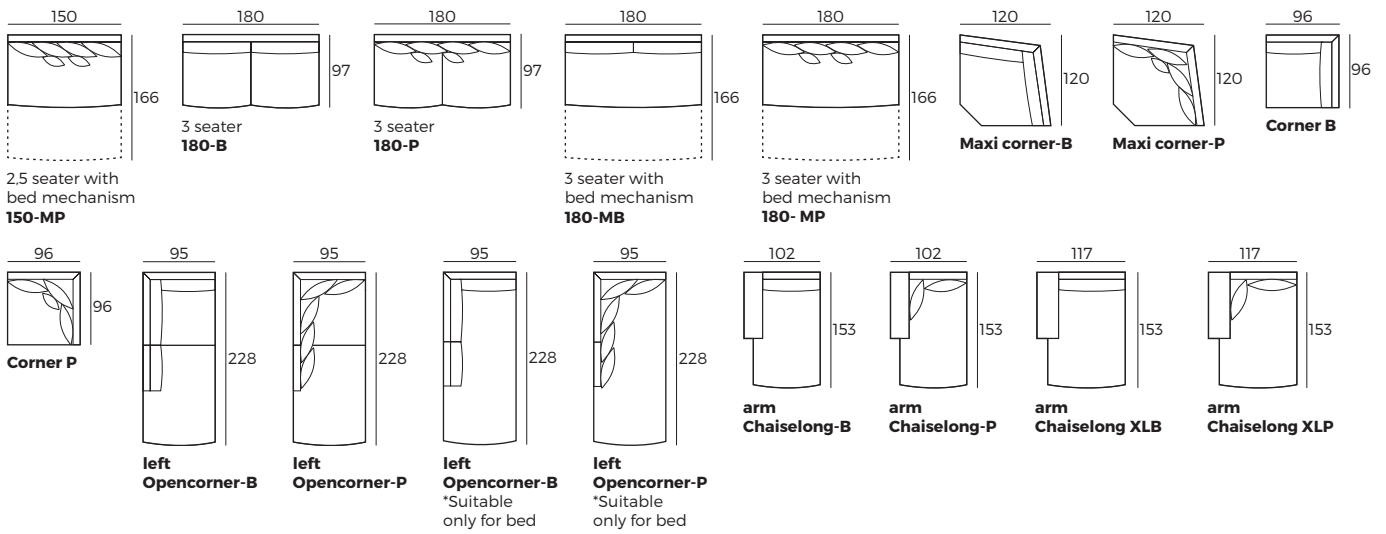
Scale 1:100



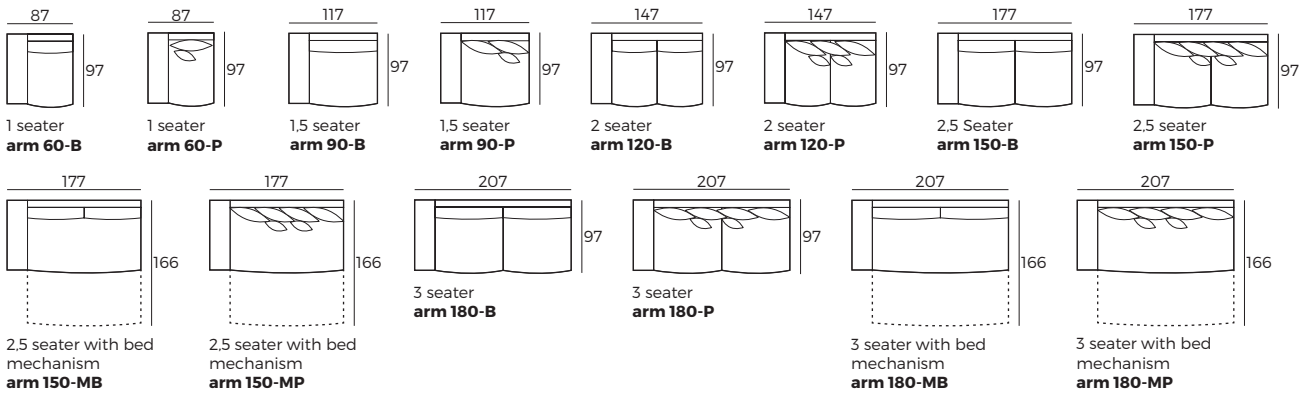
Boston

Modules (Measurements with Boston armrest)

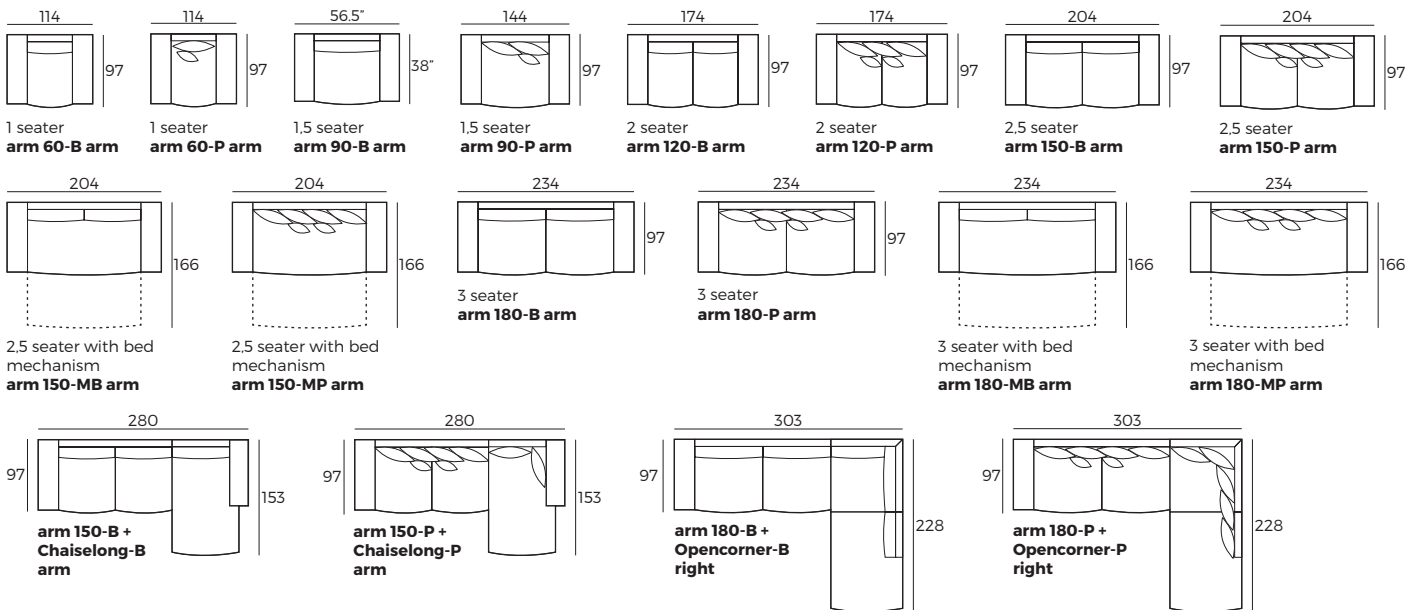
Scale 1:100



Modules with armrest (Measurements with Boston armrest)

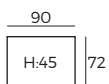


Combinations (Measurements with Boston armrest)



Accessories

Scale 1:100



Footstool
90x72

REST ASSURED
vilmers.com