

Alvar

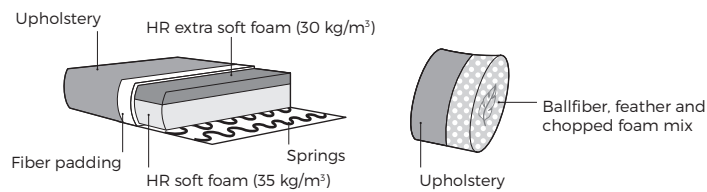


VILMERS

Alvar



Comfort



1. Upholstery



Leather*



Fabric



* Leather covers may require more stitches than fabric covers.

2. Legs

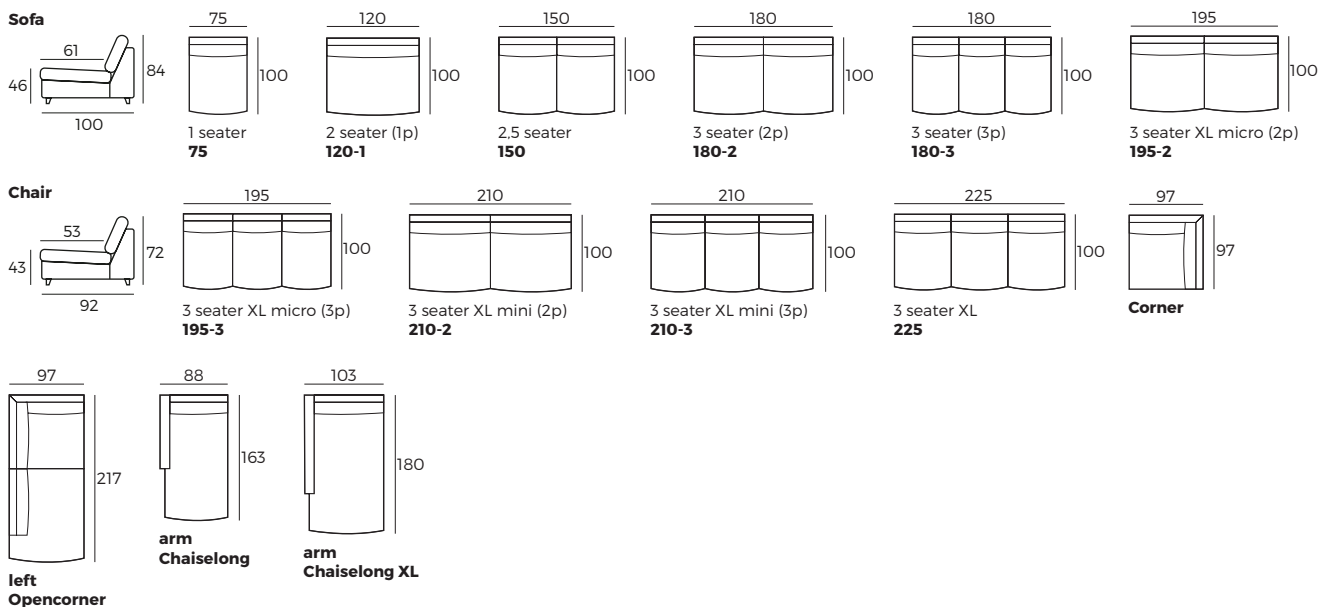


IMPORTANT:

Upholstered furniture is handmade using soft materials, therefore measurements can vary in all modules by up to **+/-2cm**.
Parts and sets shown in 2D drawings are left-sided. Parts and sets can be mirrored from left to right.

Modules

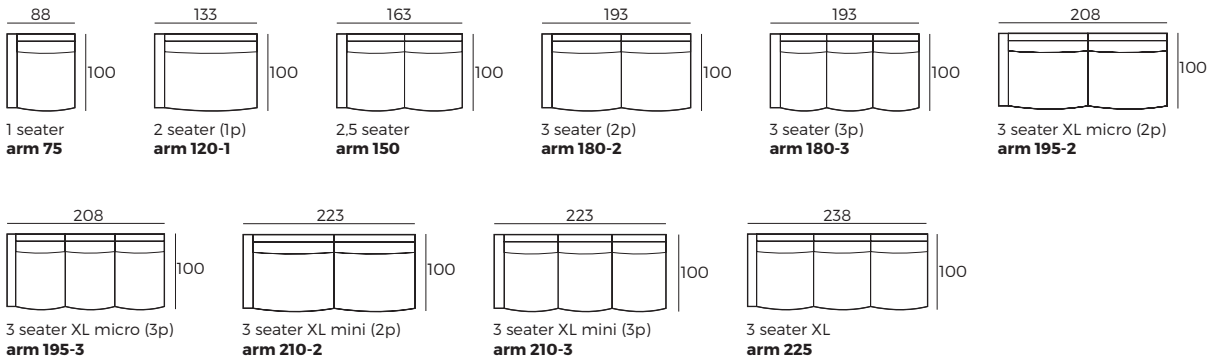
Scale 1:100



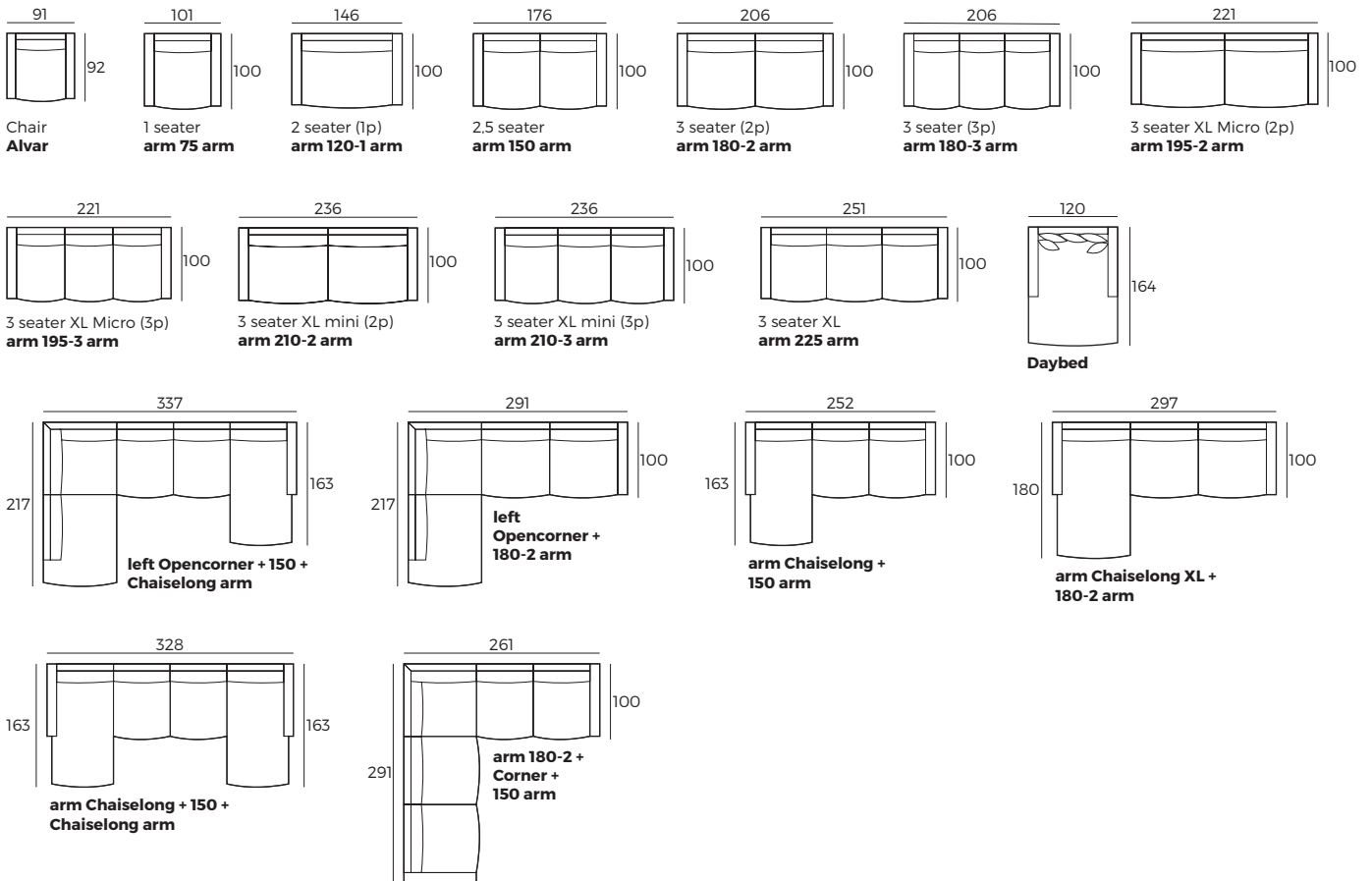
Alvar

Modules with armrest

Scale 1:100



Combinations



Accessories

